



US00D803701S

(12) **United States Design Patent** (10) **Patent No.:** **US D803,701 S**  
**Sellari et al.** (45) **Date of Patent:** **\*\* \*Nov. 28, 2017**

(54) **CUPCAKE CONTAINER**

- (71) Applicant: **Inline Plastics Corp.**, Shelton, CT (US)
- (72) Inventors: **Robert Sellari**, Huntington, CT (US);  
**Rafael Rivera**, Bridgeport, CT (US);  
**Sameh Guirguis**, Monroe, CT (US)
- (73) Assignee: **Inline Plastics Corp.**, Shelton, CT (US)
- (\*) Notice: This patent is subject to a terminal disclaimer.
- (\*\*) Term: **15 Years**

- (21) Appl. No.: **29/559,951**
- (22) Filed: **Apr. 1, 2016**
- (51) **LOC (10) Cl.** ..... **09-03**
- (52) **U.S. Cl.**  
USPC ..... **D9/756; D9/761**
- (58) **Field of Classification Search**  
USPC ..... D9/414, 420-426, 429-432, 737,  
D9/756-762; D7/538, 540-542, 550.1,  
D7/553.1-553.5, 554.1, 554.3, 554.4, 555,  
D7/557, 584, 586, 601, 602, 610, 611,  
D7/614, 615, 701, 703, 707, 708;  
206/488, 457, 776, 551, 754, 755, 804,  
206/817, 589, 579; 220/780-806, 475,  
220/674, 675, 4.21-4.24, 555, 556, 810,  
220/836, 837, 841, 366.1, 467; D3/206,  
D3/270, 294, 273, 20, 203.3, 276, 282,  
D3/284, 293, 295-298, 302, 315, 901,  
D3/903, 905; 229/906, 902, 904, 406,  
229/407, 903, 110; 426/106

(Continued)

(56) **References Cited**

**U.S. PATENT DOCUMENTS**

- 3,512,458 A \* 5/1970 Ehe ..... B65D 1/30  
206/564
- D514,452 S \* 2/2006 Enriquez ..... D9/759

(Continued)

**OTHER PUBLICATIONS**

Inline Plastics SureLock® Pet Food Container Clear, available May 21, 2015, [online], [site visited Feb. 19, 2017]. Available from internet, <URL: <https://www.pjpmarketplace.com/inline-surelockr-hinged-lid-12-count-cupcake-container-pete.html>>.\*

(Continued)

*Primary Examiner* — Cathron Brooks

*Assistant Examiner* — Teddy Falloway

(74) *Attorney, Agent, or Firm* — Locke Lord LLP; David J. Silvia

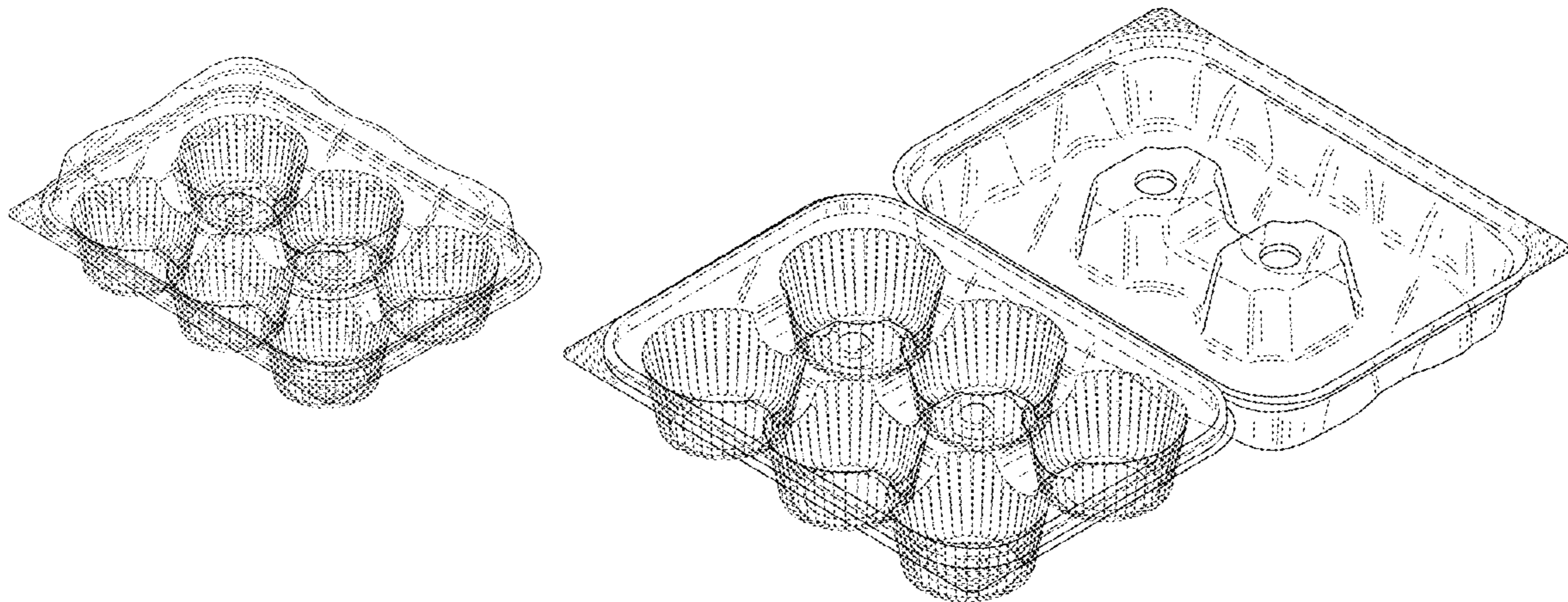
(57) **CLAIM**

The ornamental design for a cupcake container, as shown and described.

**DESCRIPTION**

FIG. 1 is a perspective view showing the top of the cupcake container of the subject disclosure;  
 FIG. 2 is a front side view of the cupcake container of FIG. 1;  
 FIG. 3 is a rear side view of the cupcake container of FIG. 1;  
 FIG. 4 is a right side view of the cupcake container of FIG. 1;  
 FIG. 5 is a left side view of the cupcake container of FIG. 1;  
 FIG. 6 is a top plan view of the cupcake container of FIG. 1;  
 FIG. 7 is a bottom plan view of the cupcake container of FIG. 1; and,  
 FIG. 8 is a view from above illustrating the cupcake container of FIG. 1 in the open configuration.  
 The broken lines shown are included for the purpose of illustrating portions of the cupcake container that form no part of the claimed design.

**1 Claim, 8 Drawing Sheets**



(58) **Field of Classification Search**

CPC .. A23B 5/00; B65D 1/36; B65D 2543/00194;  
 B65D 2543/00296; B65D 43/162; B65D  
 2543/00203; B65D 2543/00351; B65D  
 2543/00425; B65D 85/60

See application file for complete search history.

(56) **References Cited**

U.S. PATENT DOCUMENTS

D592,076	S *	5/2009	Sipe .....	D9/420
D592,077	S *	5/2009	Sipe .....	D9/420
D616,714	S *	6/2010	Kulzer .....	D7/701
D661,601	S *	6/2012	Sanfilippo .....	D9/737
D748,992	S *	2/2016	Parikh .....	D9/761
D761,127	S *	7/2016	Sellari .....	D9/756
D771,503	S *	11/2016	Brummer .....	D9/756
2008/0308557	A1 *	12/2008	Kyle .....	B65D 43/0235 220/359.1
2009/0242569	A1 *	10/2009	Solmon .....	B65D 25/108 220/528
2013/0004625	A1 *	1/2013	Brummer .....	B65D 1/36 426/119

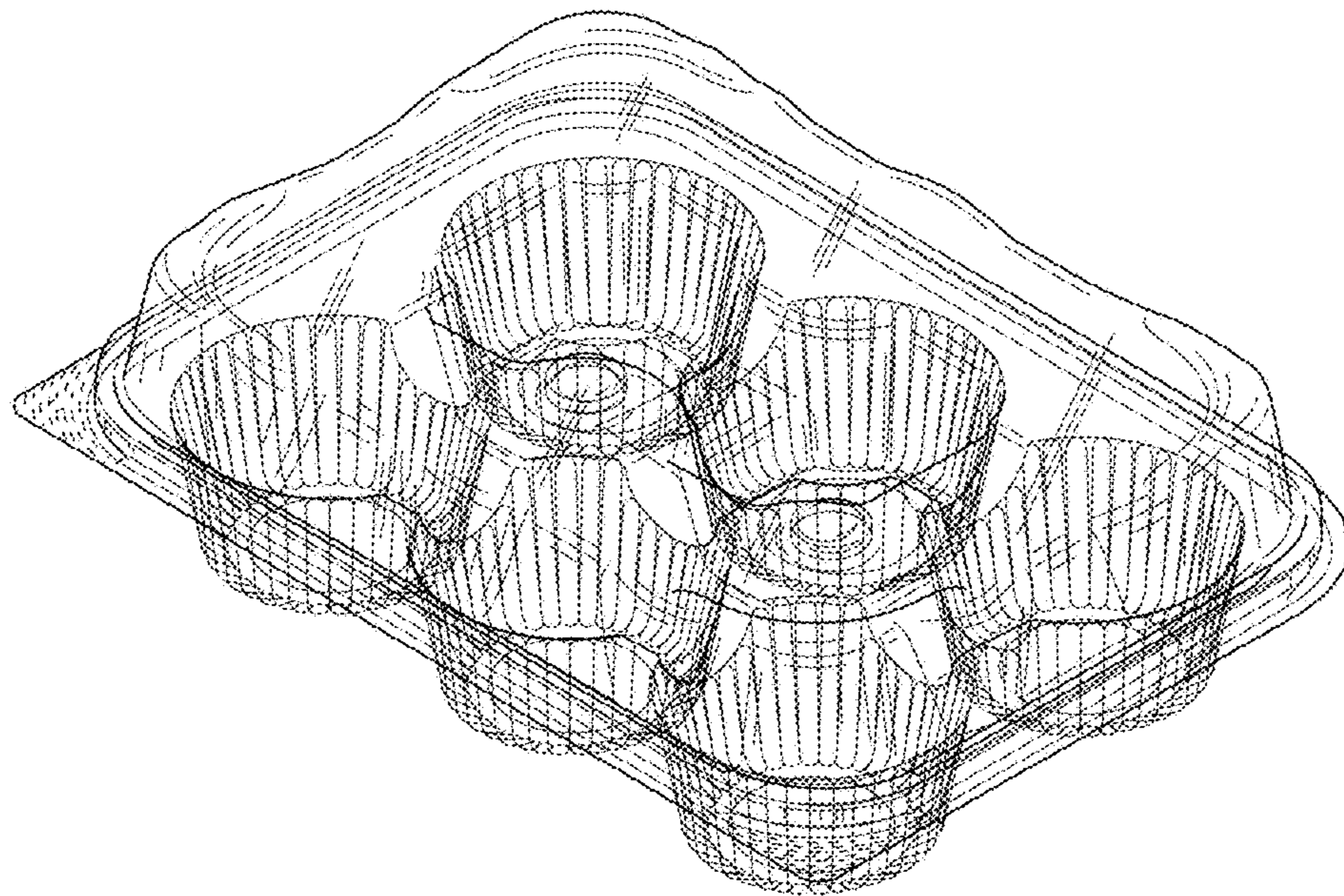
OTHER PUBLICATIONS

“Everything Convered” (via Grocery Headquarters), available Jun. 1, 2012, [online], [site visited Feb. 19, 2017]. Available from internet, <URL: <http://www.groceryheadquarters.com/June-2012/Everything-covered/>>.\*

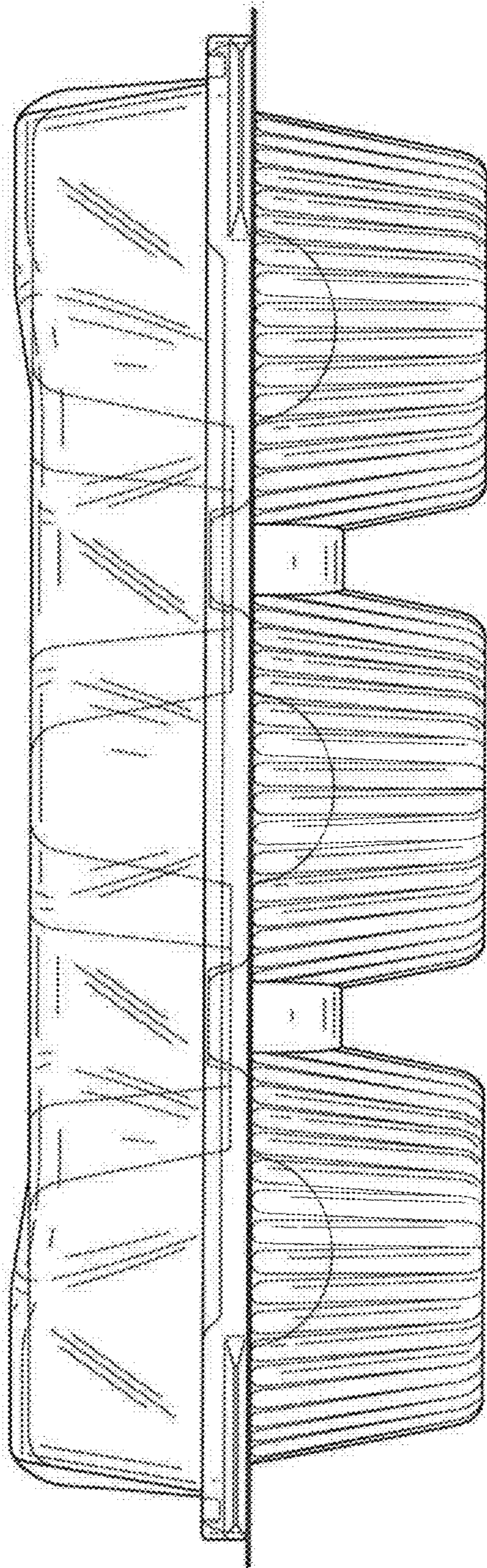
Polar Pak 02086 4 Compartment Clear OPS Hinged Cupcake / Muffin Container, available Jan. 29, 2015, [online], [site visited Feb. 19, 2017]. Available from internet, <URL: <http://www.webstaurantstore.com/polar-pak-02086-4-compartment-clear-ops-hinged-cupcake-muffin-container-300-case/65602086.html>>.\*

Polar Pak 2020 6-Cup High Top Hinged OPS Plastic Cupcake Container, available Sep. 23, 2016, [online], [site visited Feb. 19, 2017]. Available from internet, <URL: <http://www.webstaurantstore.com/polar-pak-2020-6-cup-high-top-hinged-ops-plastic-cupcake-container-200-case/65602020.html>>.\*

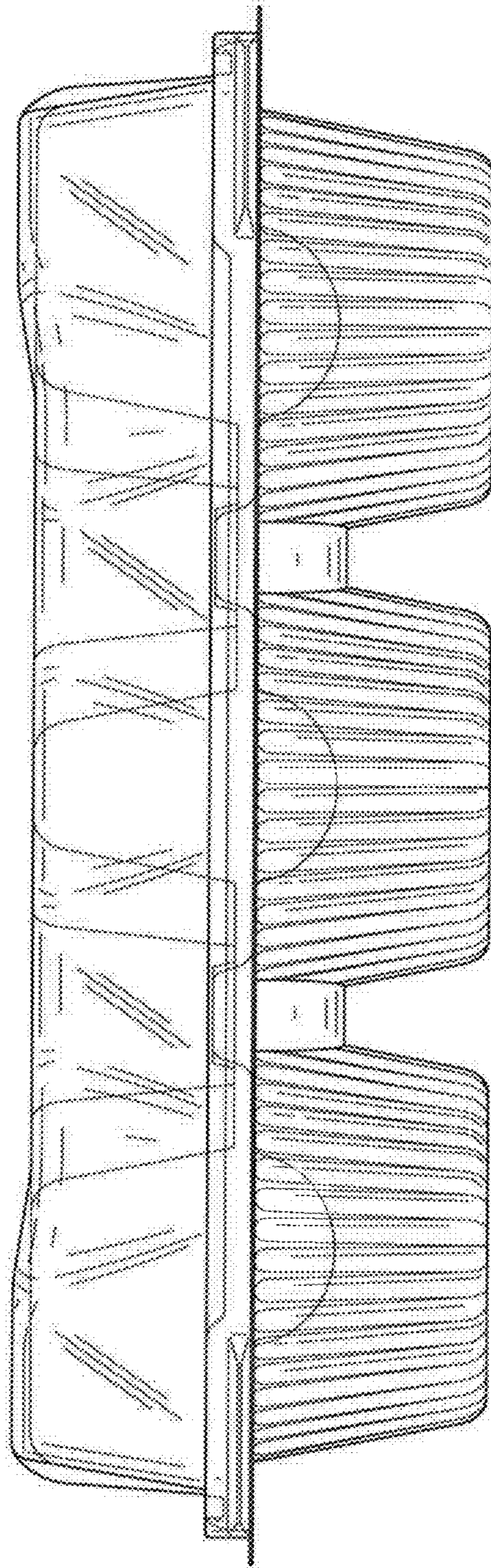
\* cited by examiner



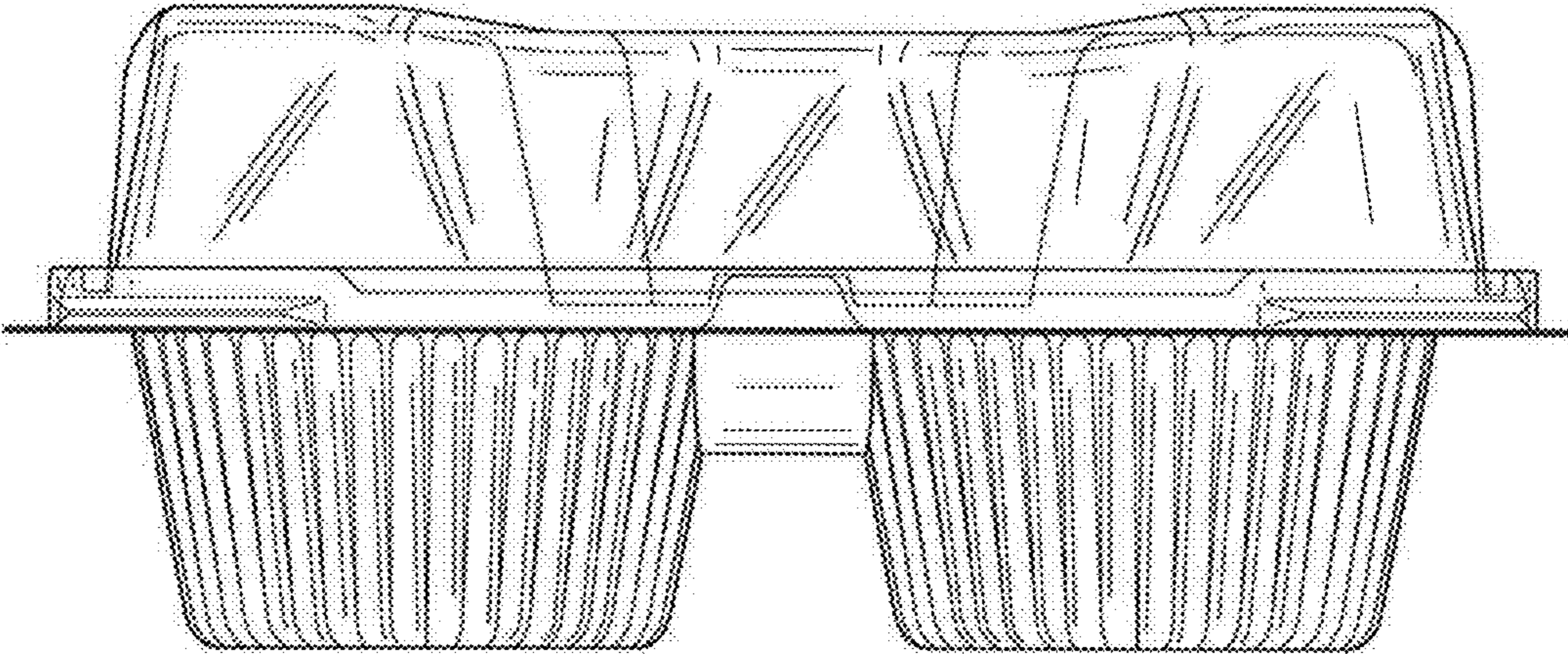
**FIG. 1**



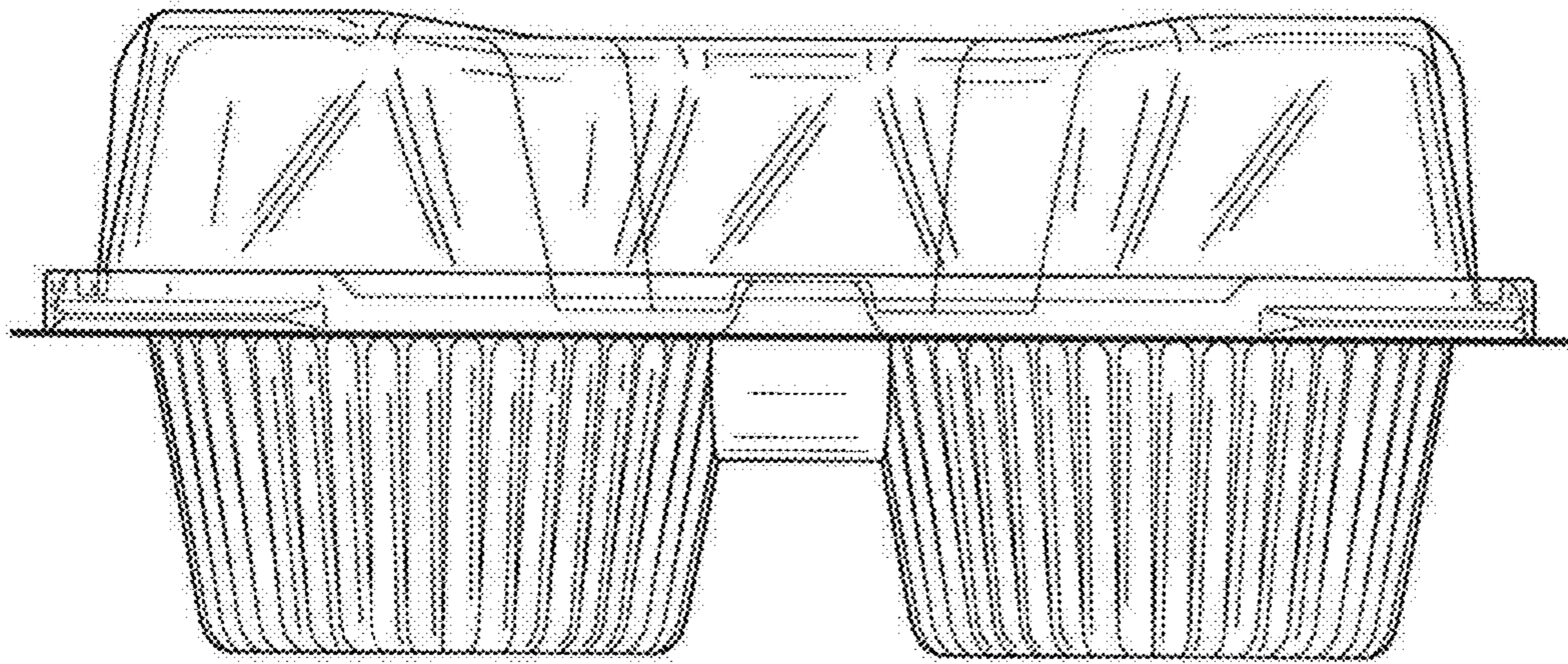
**FIG. 2**



**FIG. 3**



**FIG. 4**



**FIG. 5**

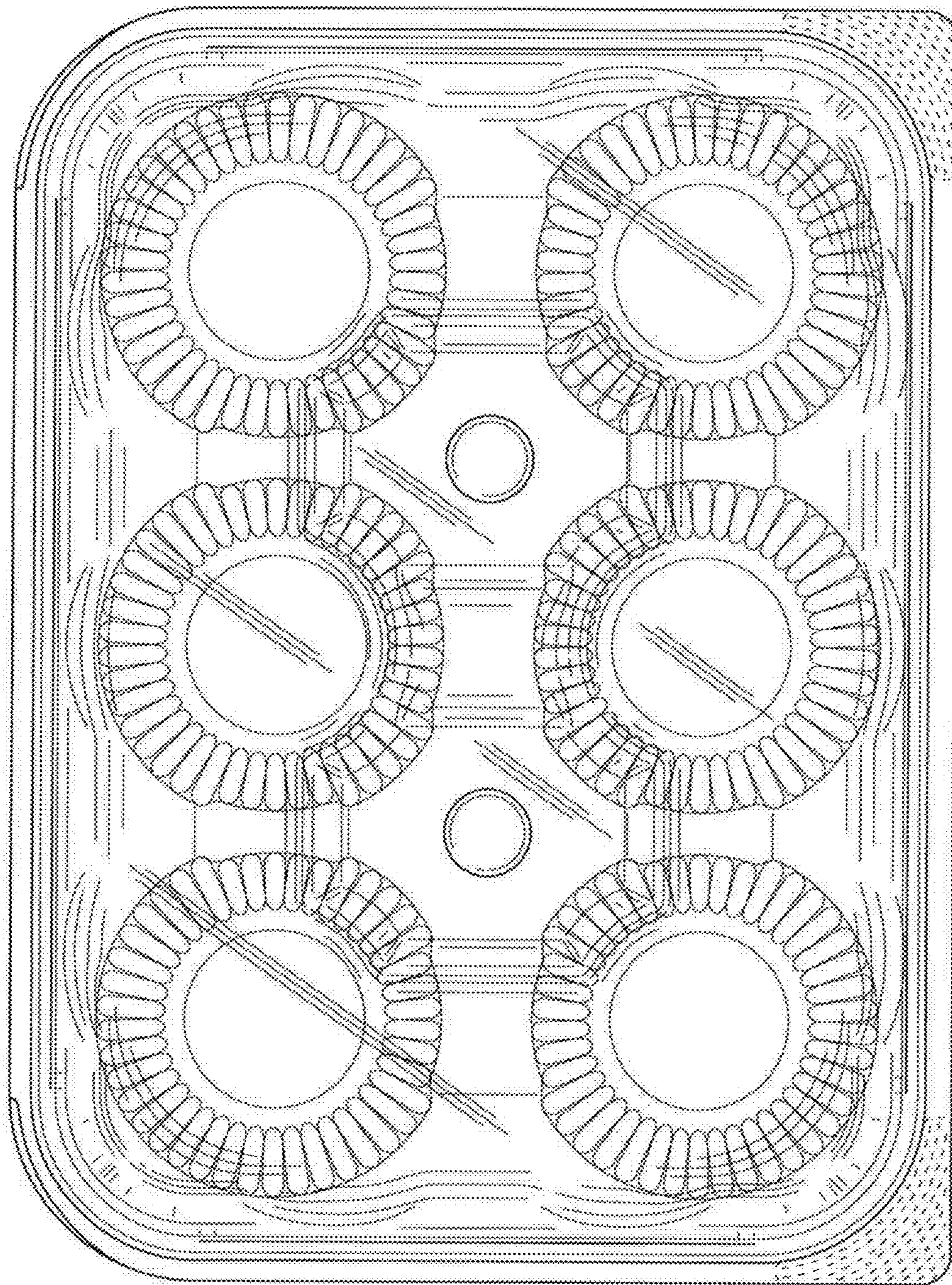


FIG. 6



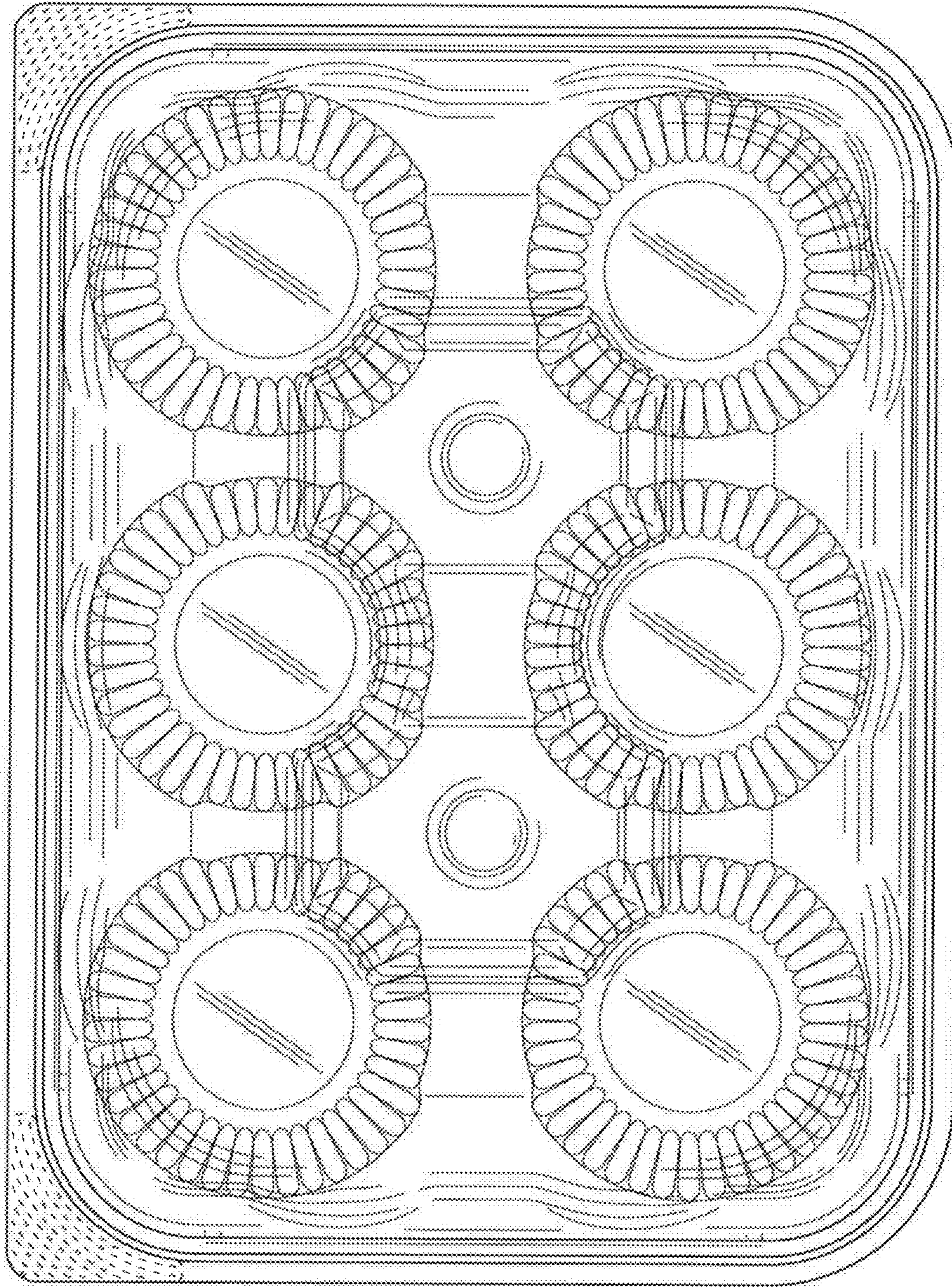


FIG. 7

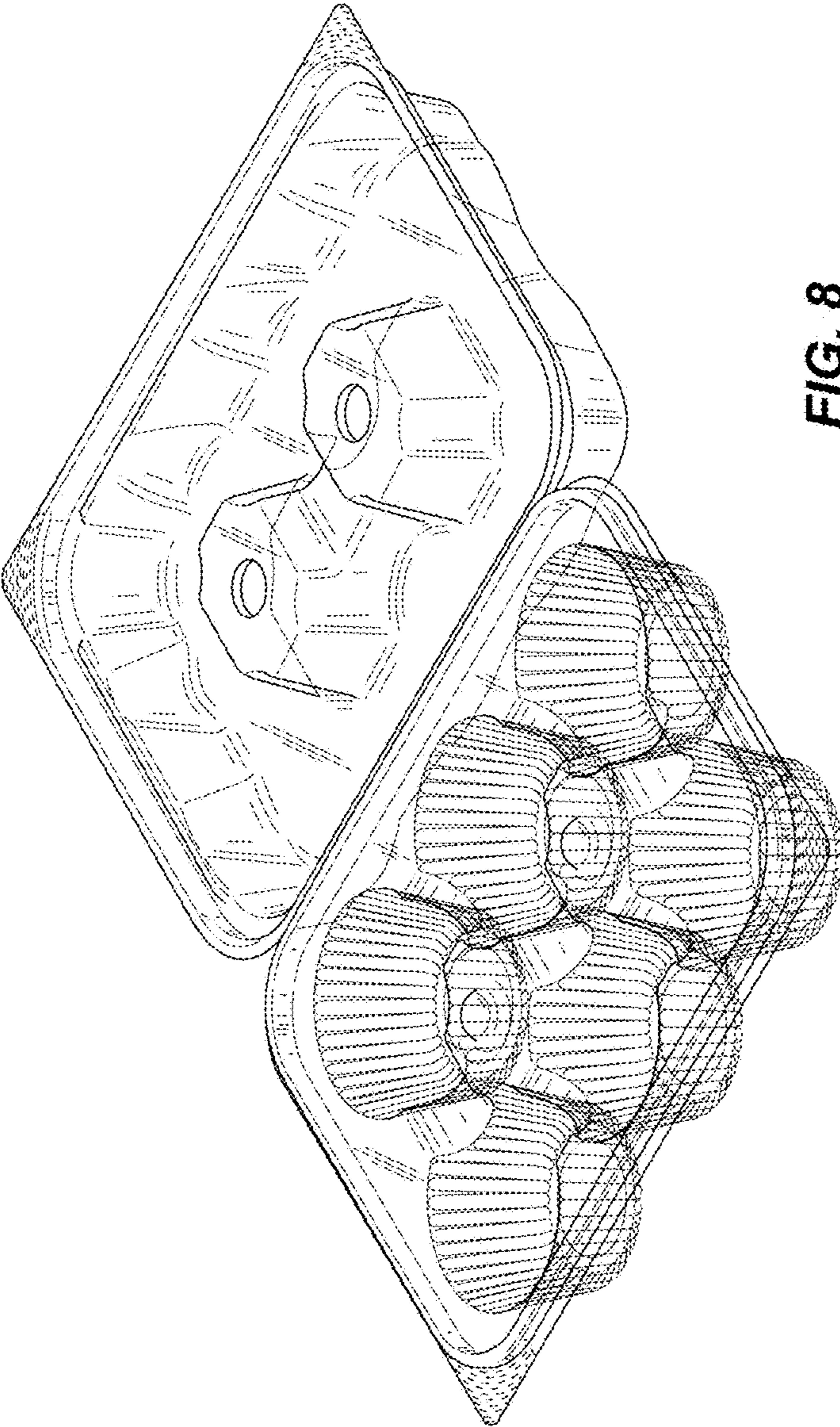


FIG. 8