



US00D803695S

(12) **United States Design Patent**
Westhofen

(10) **Patent No.:** **US D803,695 S**

(45) **Date of Patent:** **** Nov. 28, 2017**

(54) **CONTAINER**

19/2266; B65D 1/02; B65D 1/0223;
B65D 1/08; B65D 1/10

(71) Applicant: **Henkel AG & Co. KGaA**, Duesseldorf
(DE)

See application file for complete search history.

(72) Inventor: **Christa Westhofen**, Dornbirn (AT)

(56) **References Cited**

(73) Assignee: **Henkel AG & Co. KGaA**, Duesseldorf
(DE)

U.S. PATENT DOCUMENTS

(**) Term: **15 Years**

D294,679 S *	3/1988	Griesing	D9/520
D411,803 S *	7/1999	Guertin	D9/520
D414,700 S *	10/1999	Zogg	D9/502
D421,721 S *	3/2000	Guertin	D9/520
D491,071 S *	6/2004	Degeyter	D9/565
D530,212 S *	10/2006	Darr	D9/543
D536,985 S *	2/2007	Forget	D9/541
D560,502 S *	1/2008	Darr	D9/552
D587,126 S *	2/2009	DeSico	D9/541
D597,849 S *	8/2009	Aoyagi	D9/520
D599,212 S *	9/2009	DeSico	D9/565

(21) Appl. No.: **29/547,706**

(22) Filed: **Dec. 7, 2015**

Related U.S. Application Data

(62) Division of application No. 29/493,706, filed on Jun.
12, 2014, now Pat. No. Des. 747,654.

(Continued)

Primary Examiner — Thomas Johannes

Assistant Examiner — Catherine Posthauer

(30) **Foreign Application Priority Data**

Dec. 13, 2013 (EM) 002369074

(74) *Attorney, Agent, or Firm* — Thorpe North &
Western, LLP

(51) **LOC (10) Cl.** **09-03**

(52) **U.S. Cl.**
USPC **D9/565**

(57) **CLAIM**

(58) **Field of Classification Search**

USPC D3/200, 201, 202, 203.1, 203.2, 203.6,
D3/901; D6/515, 518, 522, 523, 535,
D6/541, 542; D7/300, 300.1, 387, 392.1,
D7/396, 397, 398, 509, 510, 511, 523,
D7/525, 602, 619.1, 688, 690;
D9/424-432, 436, 438, 440-446, 536,
D9/546, 549, 552, 556, 559, 560, 565;
D19/93, 190, 191; D23/211.1-211.2,
D23/366; D24/121, 124, 197, 224;
D28/4, 7, 20, 66, 76, 82, 83, 85, 88, 89,
D28/91.1; 426/115; 215/62.22, 220,
215/283-285, 329, 396, 398; 220/674,
220/710, 837; 222/182, 209, 252
CPC A45D 33/003; A45D 33/22; A45D 34/00;
A45D 40/30; A61J 1/03; A61J 1/05;
A47G 19/22; A47G 19/2205; A47G

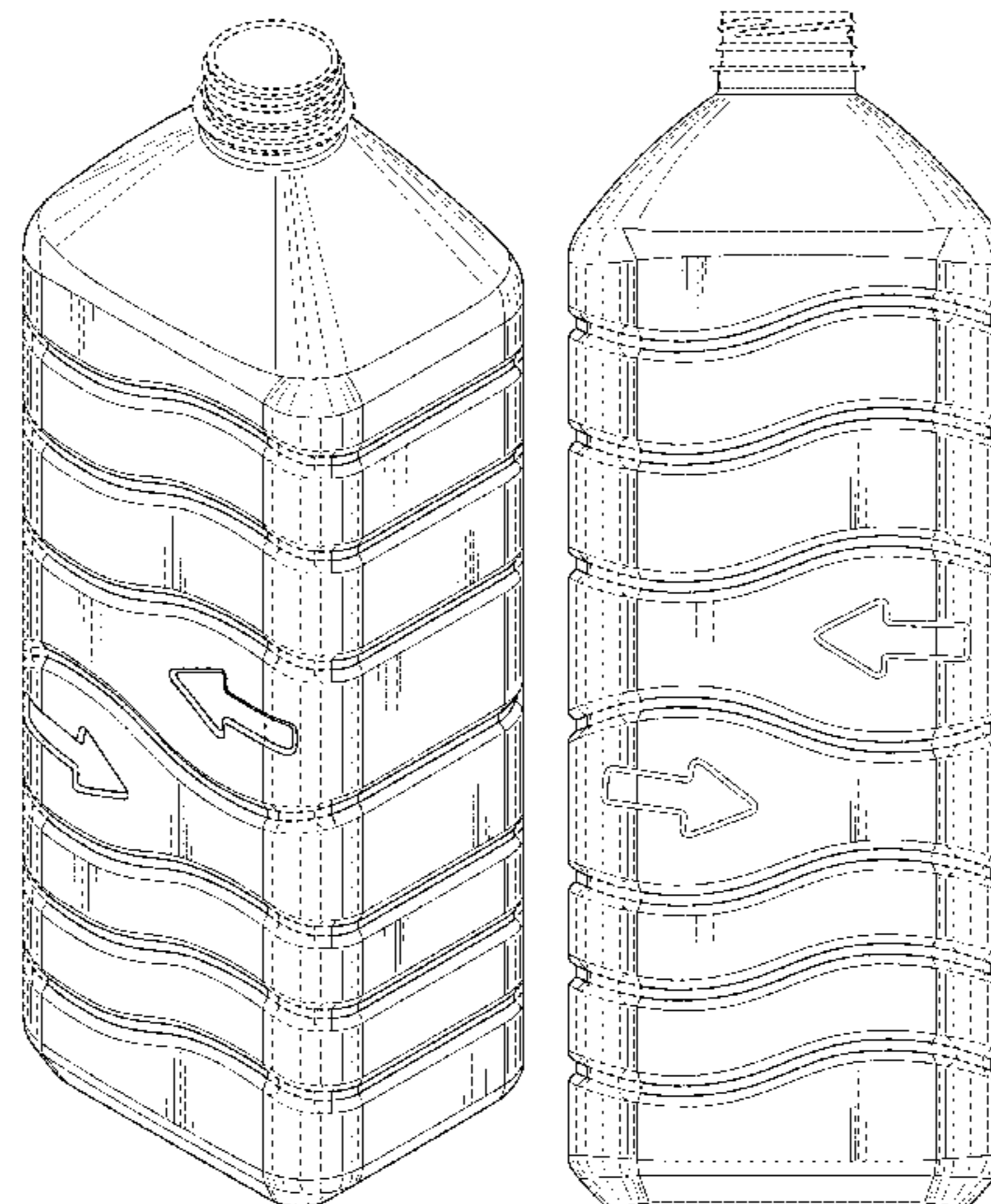
The ornamental design for container, as shown and
described.

DESCRIPTION

FIG. 1 is a front perspective view of a container showing my
new design;
FIG. 2 is a front elevation view thereof;
FIG. 3 is a rear elevation view thereof;
FIG. 4 is a left side elevation view thereof;
FIG. 5 is a right side elevation view thereof; and,
FIG. 6 is a top plan view thereof.

The broken lines are shown for the purpose of illustrating
parts of the container that form no part of the claim.

1 Claim, 6 Drawing Sheets



(56)

References Cited

U.S. PATENT DOCUMENTS

D599,213	S *	9/2009	DeSico	D9/565
D631,753	S *	2/2011	Russell	D9/560
D632,182	S *	2/2011	Russell	D9/560
D641,638	S *	7/2011	Stengel	D9/560
D654,792	S *	2/2012	Bertelsen	D9/436
D655,180	S *	3/2012	Kraft	D9/560
D655,181	S *	3/2012	Kraft	D9/560
D655,182	S *	3/2012	Kraft	D9/560
D739,759	S *	9/2015	Warner	D9/560
D741,718	S *	10/2015	Hanan	D9/552
D747,654	S *	1/2016	Westhofen	D9/552
D753,504	S *	4/2016	Miller	D9/516
D755,636	S *	5/2016	Hanan	D9/520
2007/0170144	A1 *	7/2007	Lane	B65D 1/0223 215/383
2017/0021956	A1 *	1/2017	Ring	B65D 1/0207

* cited by examiner

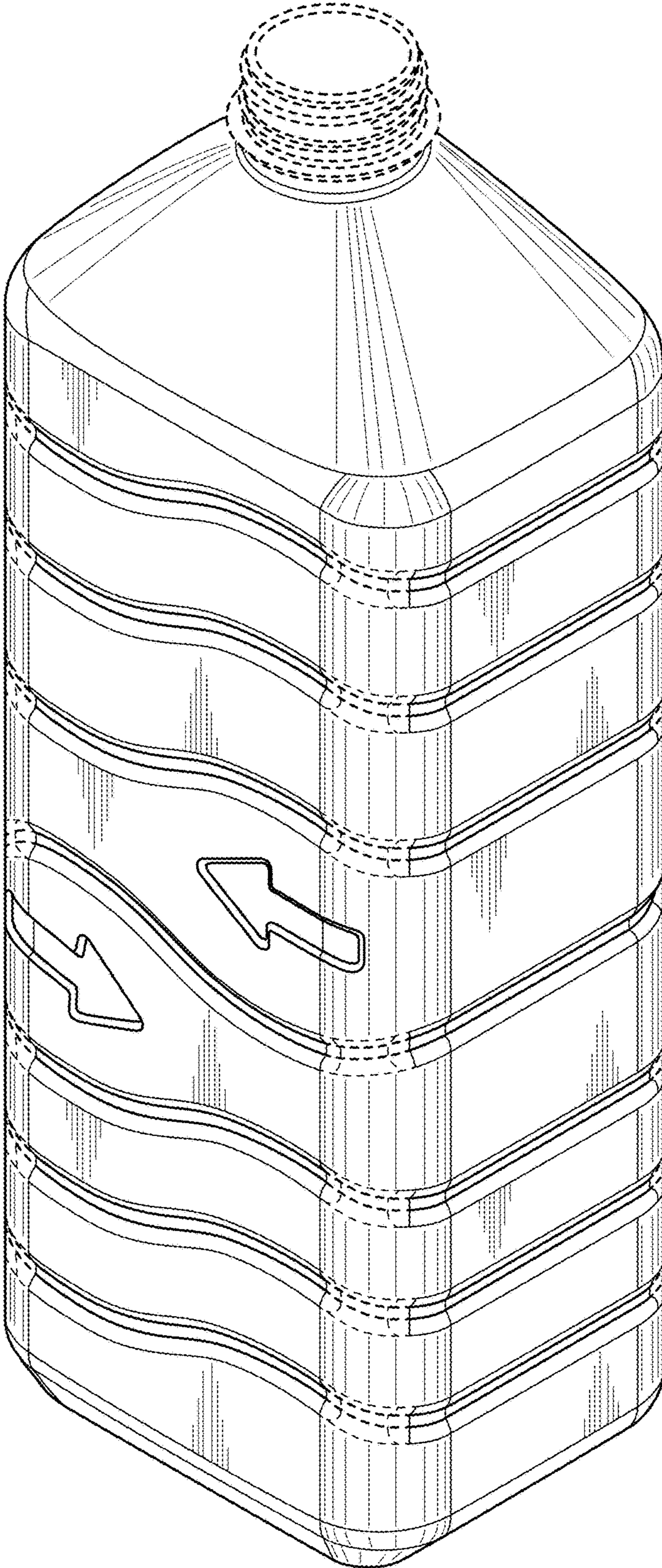


FIG. 1

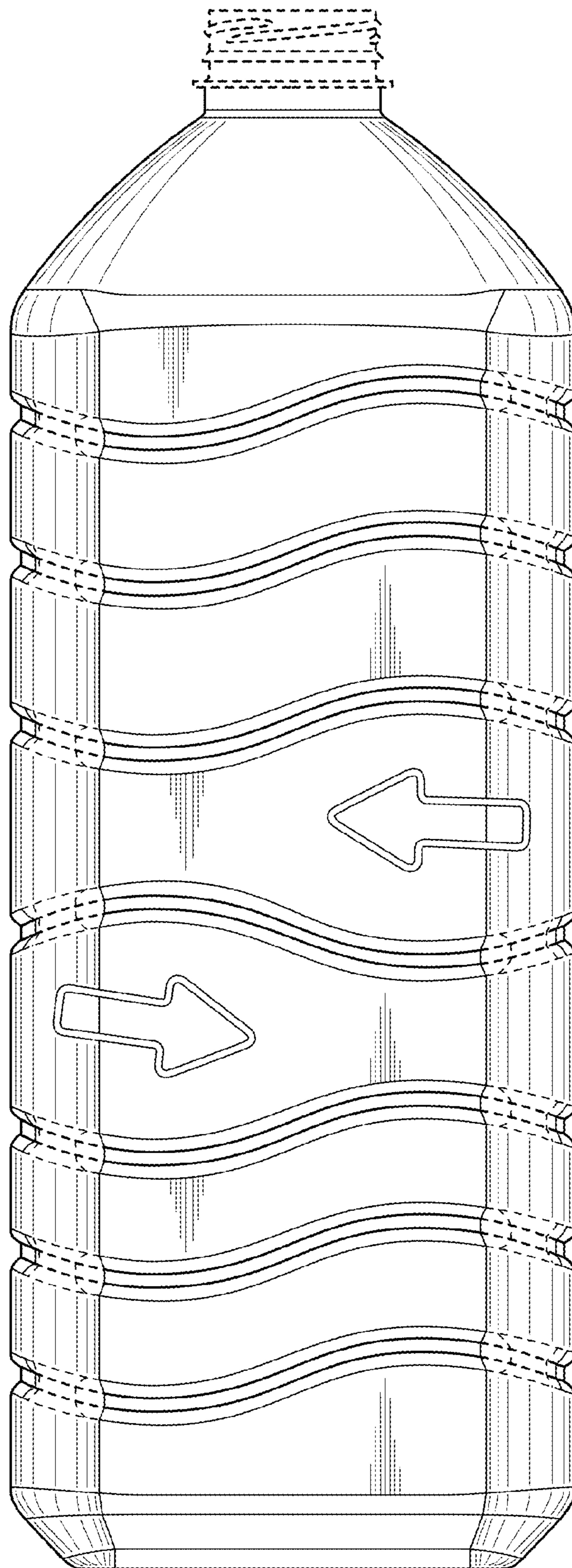


FIG. 2

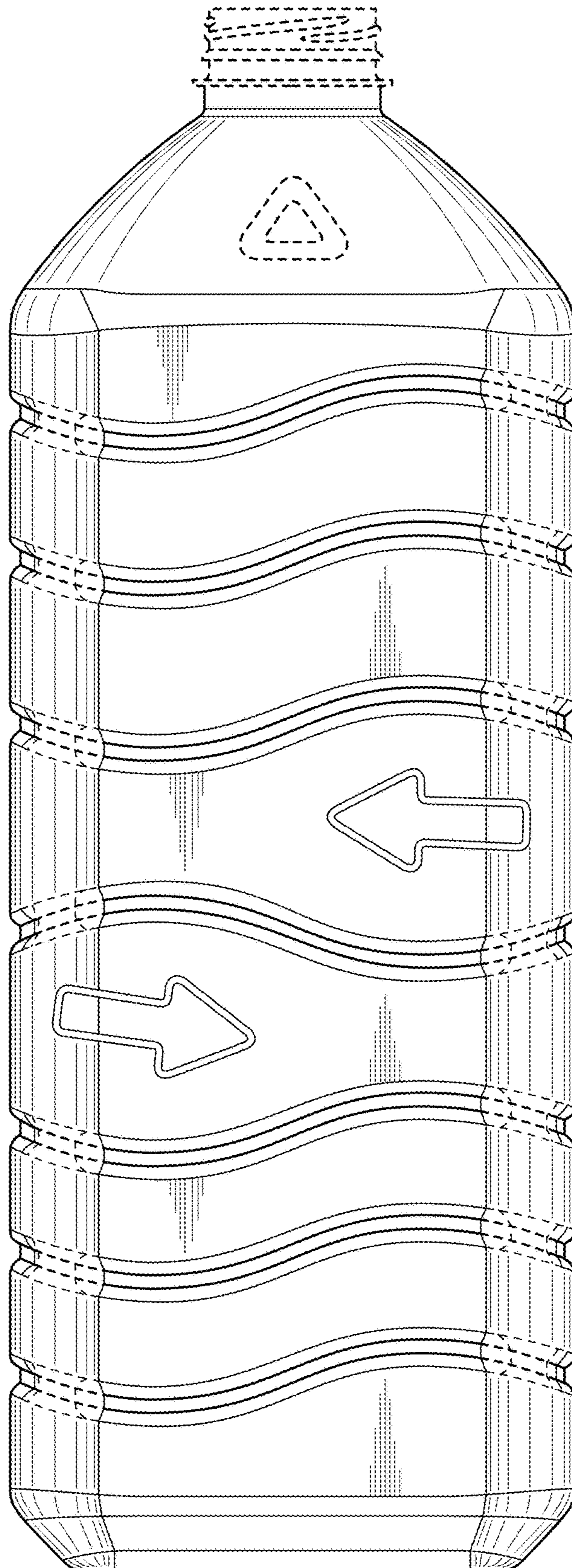


FIG. 3

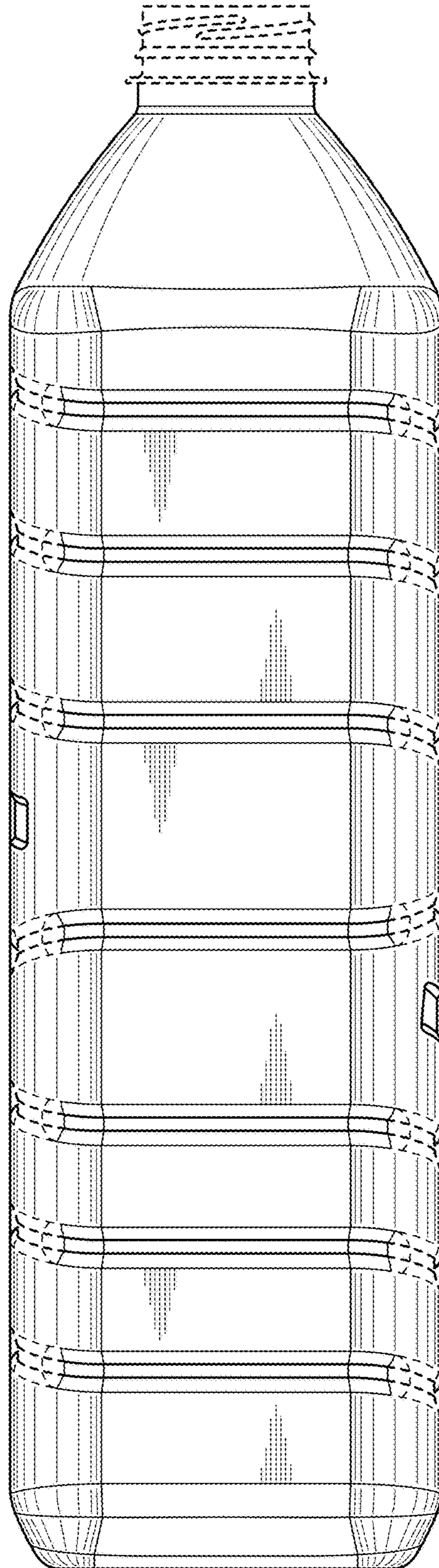


FIG. 4

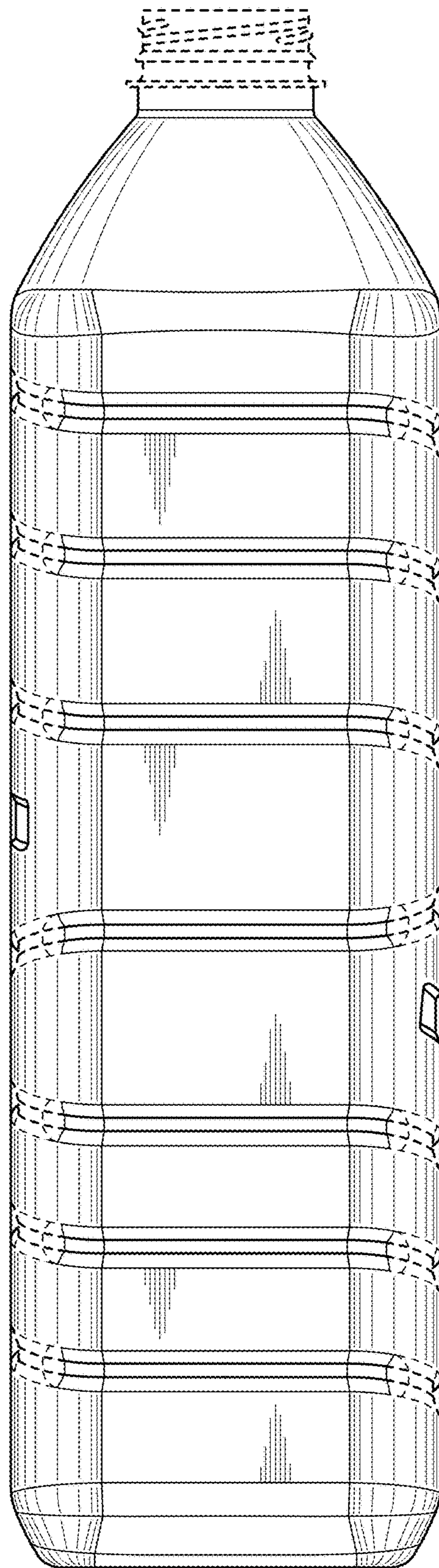


FIG. 5

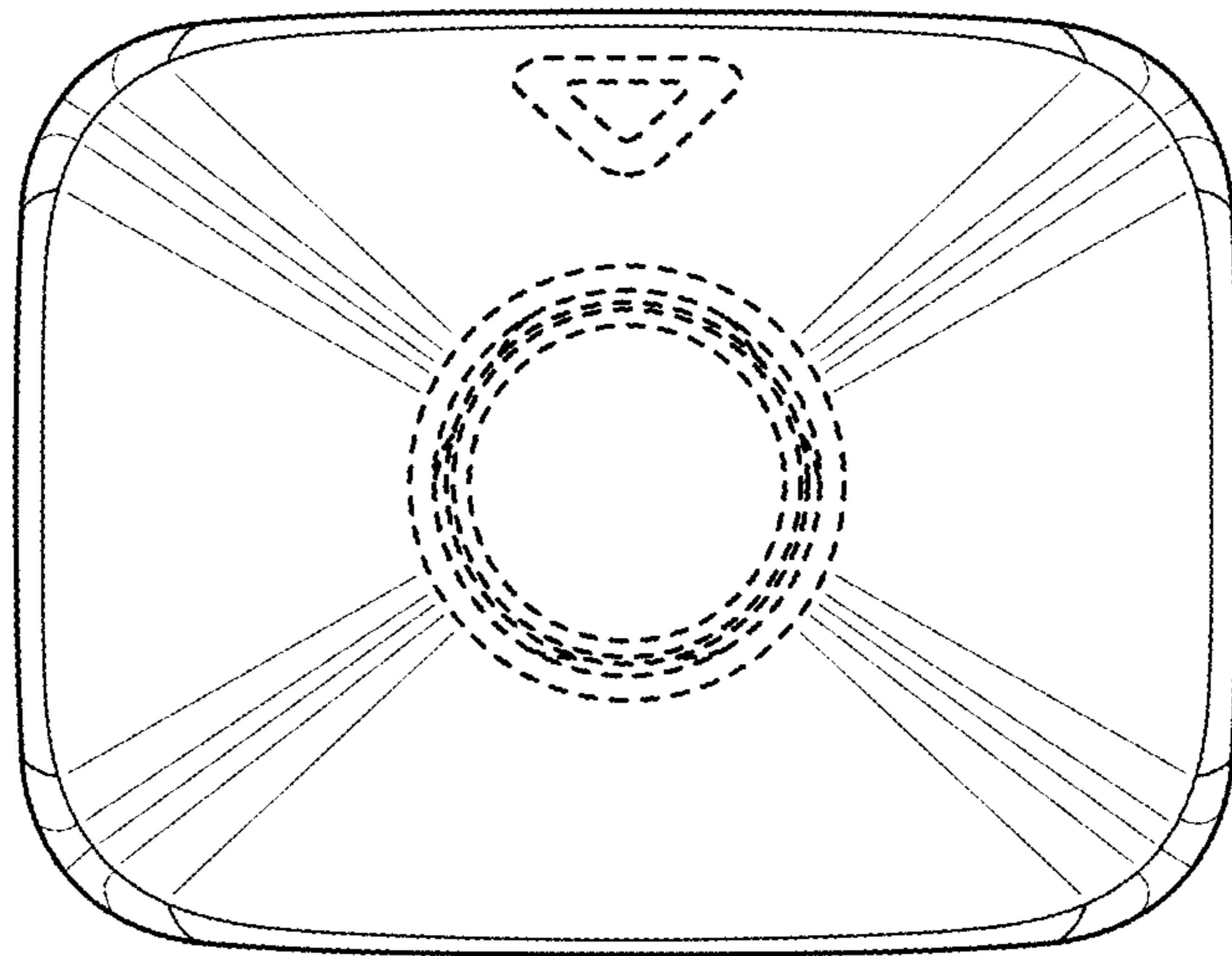


FIG. 6