



US00D803691S

(12) **United States Design Patent**
Staab et al.

(10) **Patent No.:** **US D803,691 S**

(45) **Date of Patent:** **** Nov. 28, 2017**

(54) **COSMETIC BOTTLE**

(71) Applicant: **Mary Kay Inc.**, Addison, TX (US)

(72) Inventors: **Jenny DeMarco Staab**, Frisco, TX (US); **Lauren Purkhiser**, Addison, TX (US)

(73) Assignee: **Mary Kay Inc.**, Addison, TX (US)

(**) Term: **15 Years**

(21) Appl. No.: **29/537,085**

(22) Filed: **Aug. 21, 2015**

(51) **LOC (10) Cl.** **09-01**

(52) **U.S. Cl.**
USPC **D9/522**; D9/544; D9/566

(58) **Field of Classification Search**
USPC D9/434–435, 439, 443–445, 516, 522, D9/530, 544, 546, 559, 566, 572, 682, D9/693–694, 715, 719; D28/91.1
CPC B65D 1/00; B65D 1/02; B65D 1/0223; B65D 23/00; B65D 81/00; B65D 2501/00; B65D 2501/0009; B65D 2501/0081

See application file for complete search history.

(56) **References Cited**

U.S. PATENT DOCUMENTS

D71,782 S	1/1927	Delaize	D9/544
D74,677 S	3/1928	Kohl	D9/544
D76,405 S	9/1928	Lavault	D9/546
D76,976 S	11/1928	Applebaum	D9/651
D78,686 S	6/1929	Daltroff	D9/546
D79,944 S	11/1929	Teague	D9/546
D80,708 S	3/1930	Teague	D9/544
D80,917 S *	4/1930	Teague	D9/566
D80,918 S	4/1930	Teague	D9/546
D81,602 S	7/1930	Teague	D9/546
D86,540 S	3/1932	Piazzoli	D9/546
D86,566 S	3/1932	Gibson	D9/544

D90,047 S	5/1933	Popp	D9/566
D91,169 S	12/1933	Gibson	D9/520
D93,070 S	8/1934	Westlake	D9/544
D93,073 S	8/1934	Westlake	D9/546
D94,153 S	12/1934	Levine	D9/573
D97,681 S *	12/1935	Larsen	D19/93

(Continued)

FOREIGN PATENT DOCUMENTS

TW	513085	12/2002
TW	D144640 S1	12/2011

Primary Examiner — Dana L Meyrow

(74) *Attorney, Agent, or Firm* — Norton Rose Fulbright US LLP

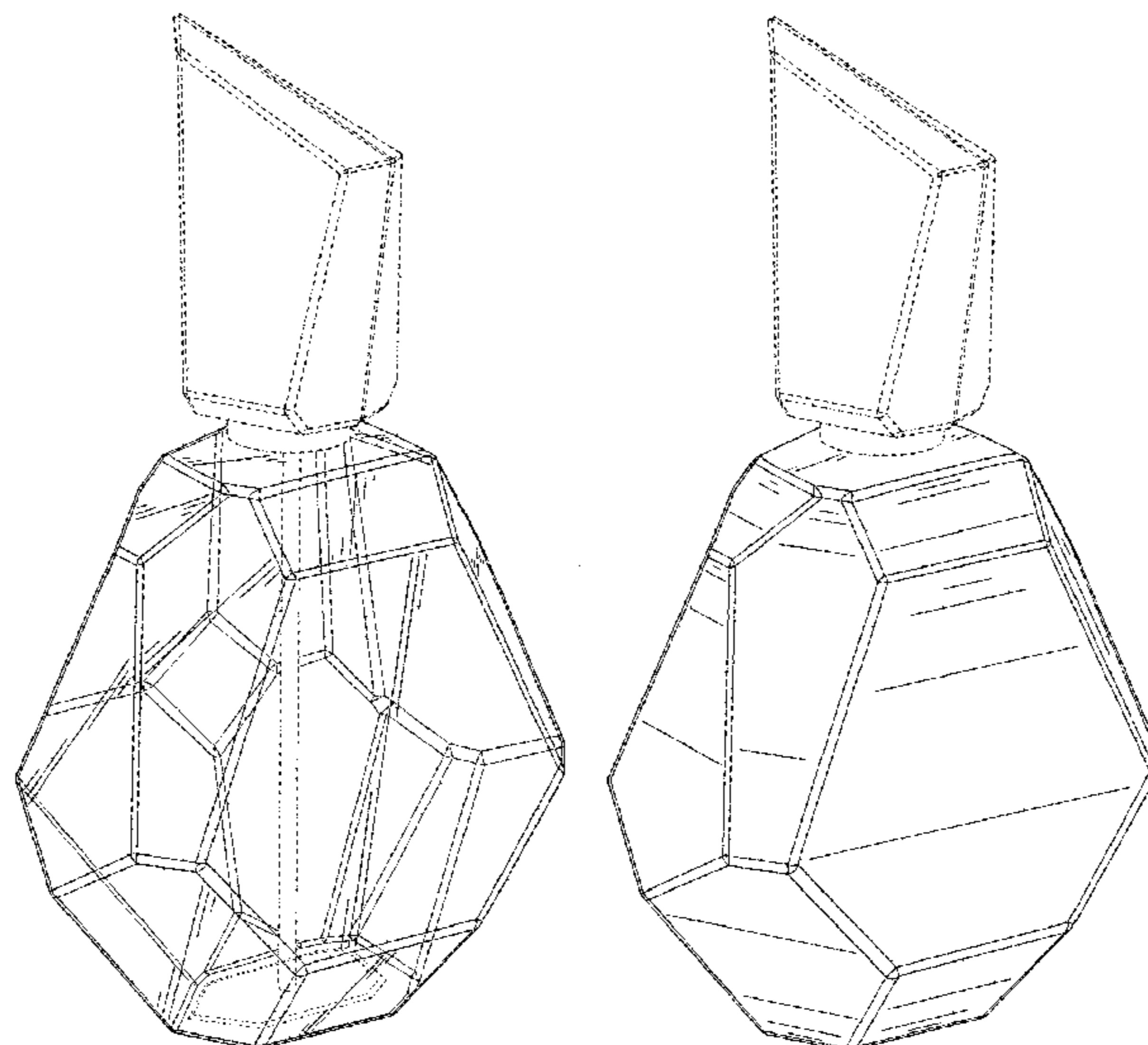
(57) **CLAIM**

We claim the ornamental design for a cosmetic bottle, as shown and described.

DESCRIPTION

FIG. 1 is a top perspective view of a first embodiment of our new design for a cosmetic bottle;
 FIG. 2 is a front view of the bottle shown in FIG. 1;
 FIG. 3 is a back view of the bottle shown in FIG. 1;
 FIG. 4 is a right side view of the bottle shown in FIG. 1;
 FIG. 5 is a left side view of the bottle shown in FIG. 1;
 FIG. 6 is a top view of the bottle shown in FIG. 1;
 FIG. 7 is a bottom view of the bottle shown in FIG. 1;
 FIG. 8 is a top perspective view of a second embodiment of our new design for a cosmetic bottle;
 FIG. 9 is a front view of the bottle shown in FIG. 8;
 FIG. 10 is a back view of the bottle shown in FIG. 8;
 FIG. 11 is a right side view of the bottle shown in FIG. 8;
 FIG. 12 is a left side view of the bottle shown in FIG. 8;
 FIG. 13 is a top view of the bottle shown in FIG. 8; and,
 FIG. 14 is a bottom view of the bottle shown in FIG. 8.
 The evenly-dashed broken lines in the drawings illustrate the portions of the cosmetic bottle that form no part of the claim.

1 Claim, 14 Drawing Sheets



(56)

References Cited

U.S. PATENT DOCUMENTS

D98,040 S 12/1935 Lewis D9/544
 D100,372 S 7/1936 Guerlain D9/544
 D101,617 S 10/1936 Capey
 D120,147 S 4/1940 Steuer D9/568
 D126,514 S 4/1941 Payne D9/566
 D147,027 S 7/1947 Stevens, Jr. D9/452
 D187,886 S 5/1960 Hurlstone D9/566
 D194,809 S 3/1963 Du Pree D9/544
 D259,703 S 6/1981 Llorente D9/651
 D277,455 S 2/1985 Tordjman D9/546
 D284,938 S 8/1986 Jedwab et al. D9/651
 D289,142 S 4/1987 Bijaoui D9/546
 D304,298 S 10/1989 Bannister D9/546
 D308,940 S 7/1990 Dinand D9/544
 D322,565 S * 12/1991 Durand D9/573
 D325,166 S 4/1992 Versace D9/544
 D329,596 S 9/1992 Dinand D9/544
 D333,269 S 2/1993 Albright et al. D9/544
 D333,425 S 2/1993 Boussiquet D9/562
 D365,991 S 1/1996 Varlet D9/544
 D366,620 S * 1/1996 Kuzma D9/542
 D382,486 S 8/1997 Heinz D9/546
 D421,906 S 3/2000 Jauffret D9/435
 D432,407 S * 10/2000 Lee D9/522
 D449,537 S 10/2001 Feigenbaum D9/529
 D471,467 S 3/2003 Kokubo et al. D9/566
 D515,194 S 2/2006 Chen D23/366
 D526,567 S 8/2006 Dalton D9/544
 D529,813 S 10/2006 Modjeski D9/546
 D530,211 S 10/2006 Lloyd D9/542
 D530,213 S 10/2006 Modjeski D9/546

D530,216 S 10/2006 Modjeski D9/566
 D531,911 S 11/2006 Lloyd D9/546
 D548,091 S 8/2007 Dalton D9/519
 D551,974 S 10/2007 Canamasas D9/452
 D553,505 S 10/2007 Oner D9/559
 D562,689 S 2/2008 Antretter D9/544
 D574,257 S 8/2008 Zeidan D9/694
 D586,226 S 2/2009 Lloyd D9/556
 D610,013 S 2/2010 Mendelson D9/522
 D610,916 S 3/2010 Yeung et al. D9/694
 D619,470 S 7/2010 Zeidan D9/544
 D620,804 S 8/2010 Bogert et al. D9/544
 D625,612 S 10/2010 Papiernik D9/693
 D626,422 S 11/2010 Lloyd D9/566
 D632,969 S 2/2011 Monteparo et al. D9/544
 D633,806 S 3/2011 Lecoule D9/559
 D637,491 S 5/2011 Bogert D9/452
 D638,649 S 5/2011 Servaire D7/300
 D638,706 S 5/2011 De Bashmakoff D9/452
 D639,161 S 6/2011 Webster D9/452
 D639,667 S 6/2011 Bogert et al. D9/544
 D643,733 S 8/2011 Aebi D9/544
 D659,548 S 5/2012 France D9/694
 D678,073 S 3/2013 Oge-Nichols et al. D9/542
 D683,227 S 5/2013 Balini D9/544
 D697,811 S 1/2014 Goodman et al. D9/545
 D698,259 S 1/2014 Ngjelo D9/651
 D710,207 S 8/2014 Pinabel D9/542
 D711,236 S 8/2014 Friesen et al. D9/519
 D712,253 S 9/2014 Hughes et al. D9/435
 D722,274 S * 2/2015 Basset D9/566
 D747,972 S * 1/2016 Allan D9/682
 D773,936 S * 12/2016 Pascalie D9/454

* cited by examiner

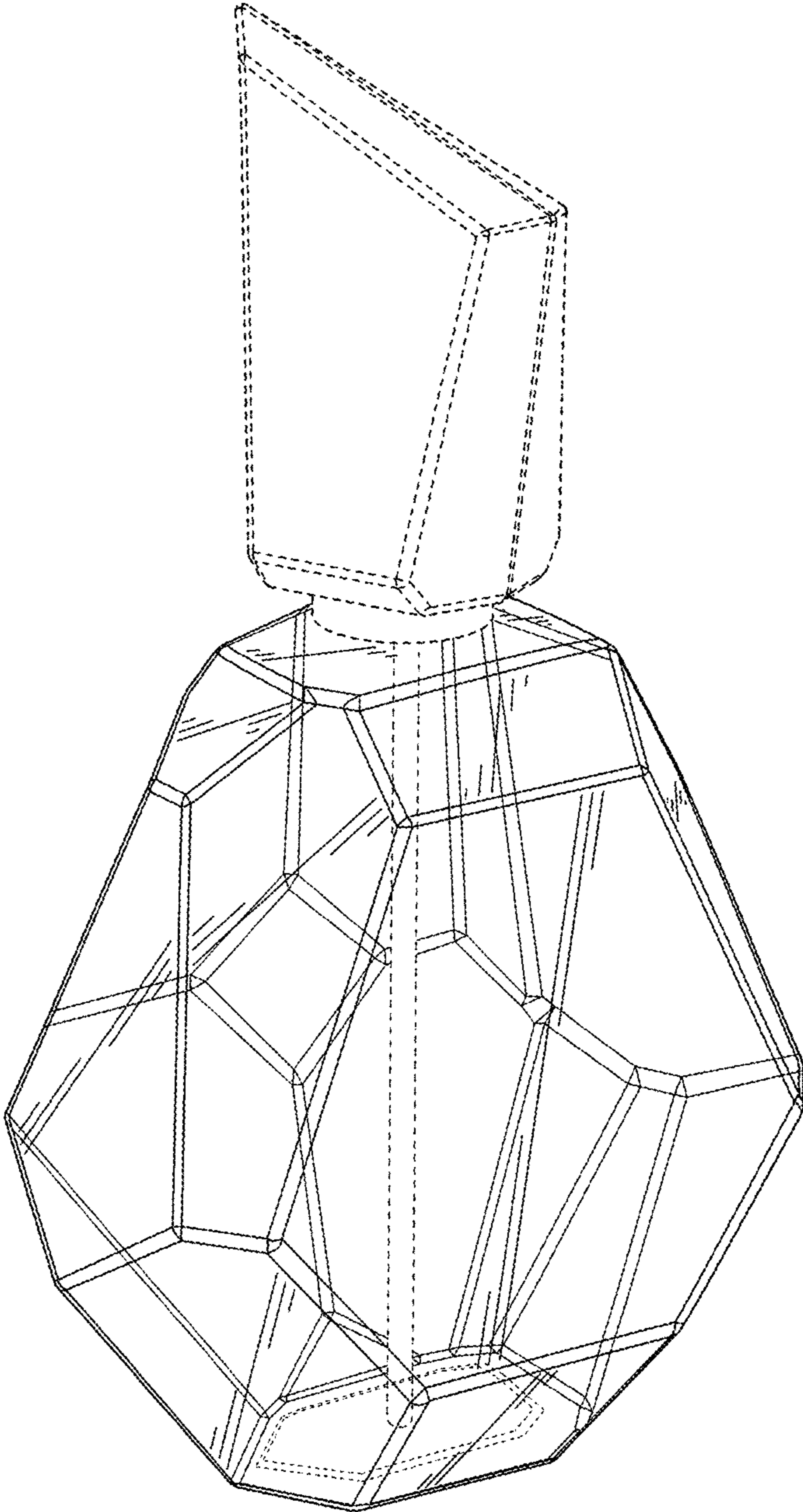


FIG. 1

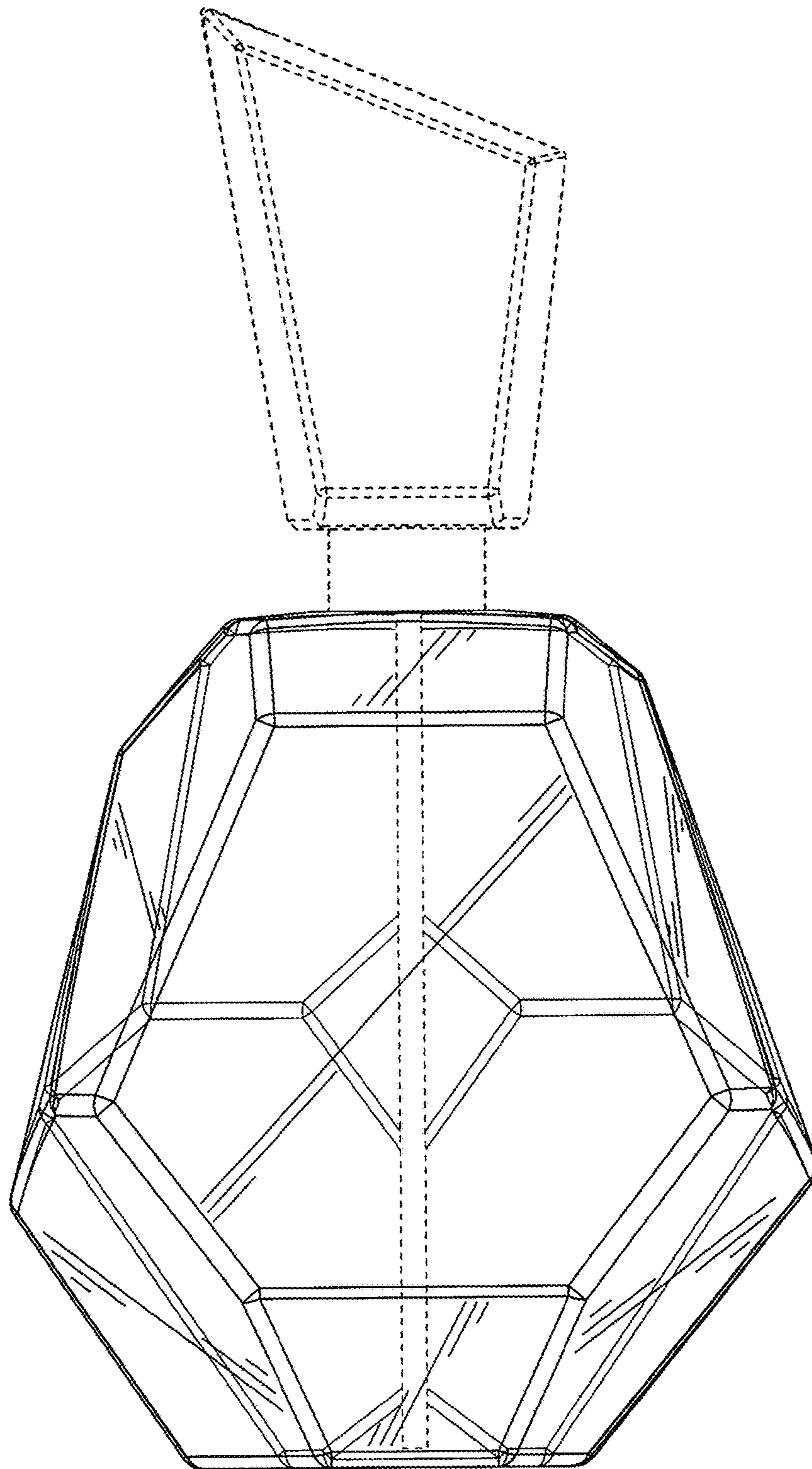


FIG. 2

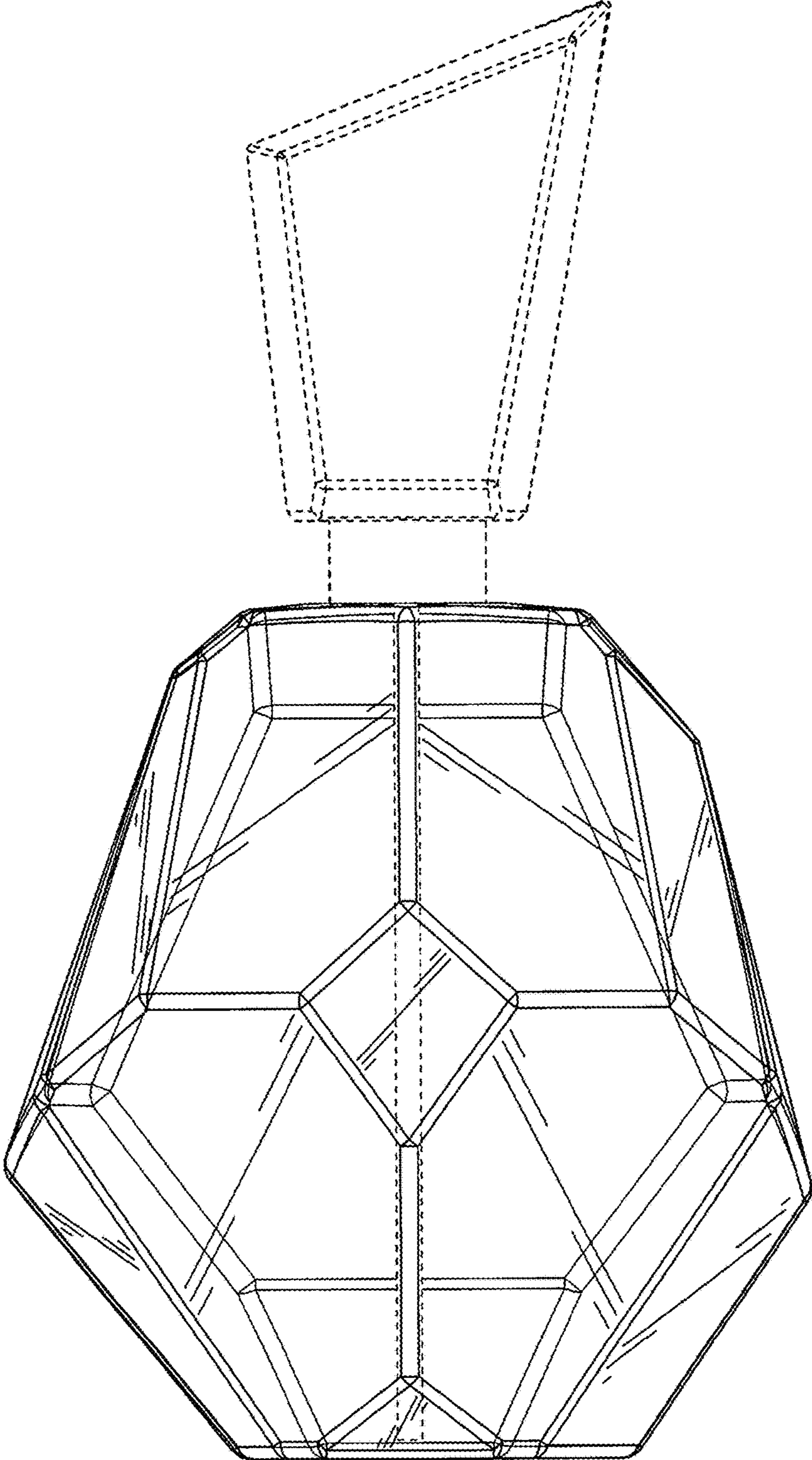


FIG. 3

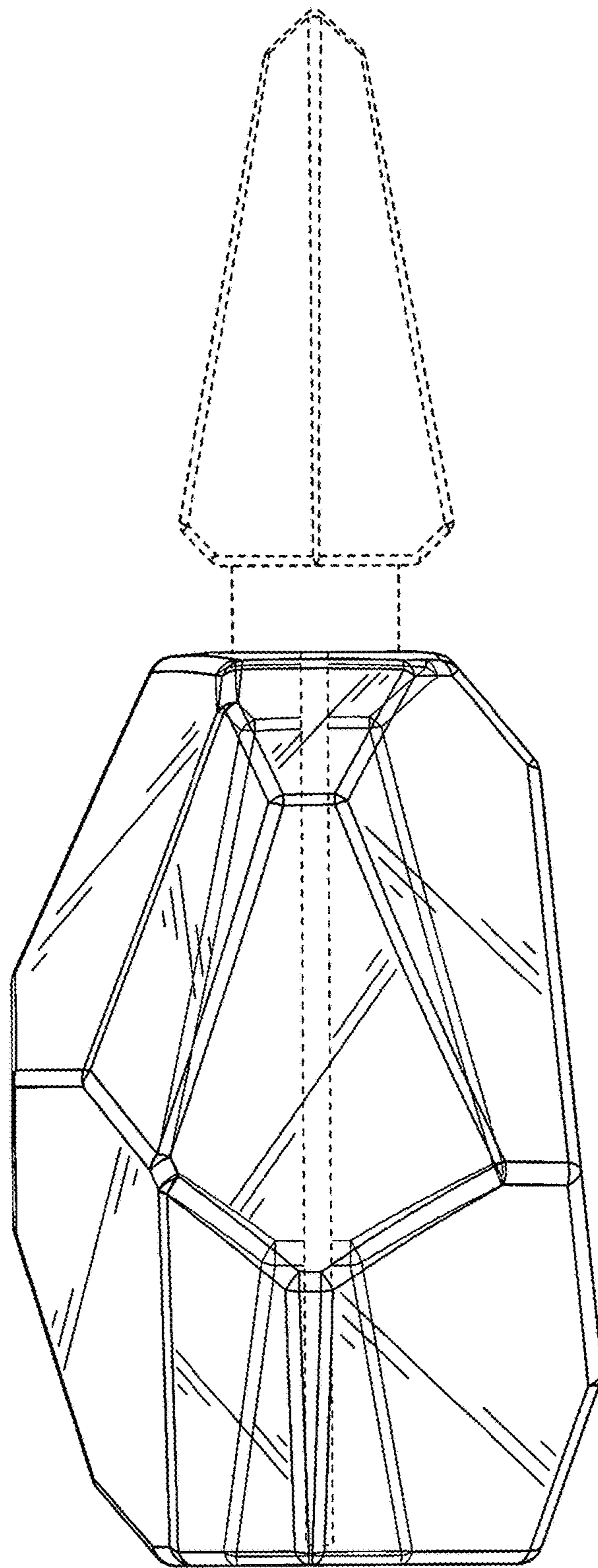


FIG. 4

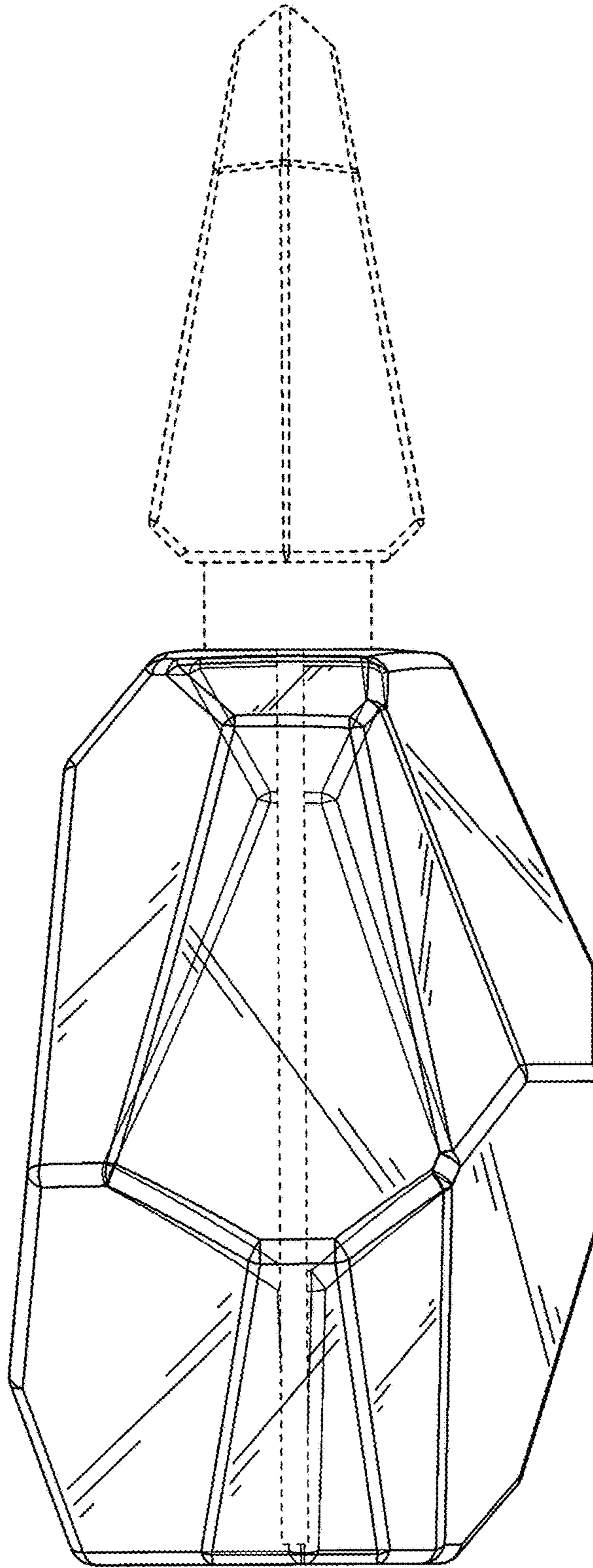


FIG. 5

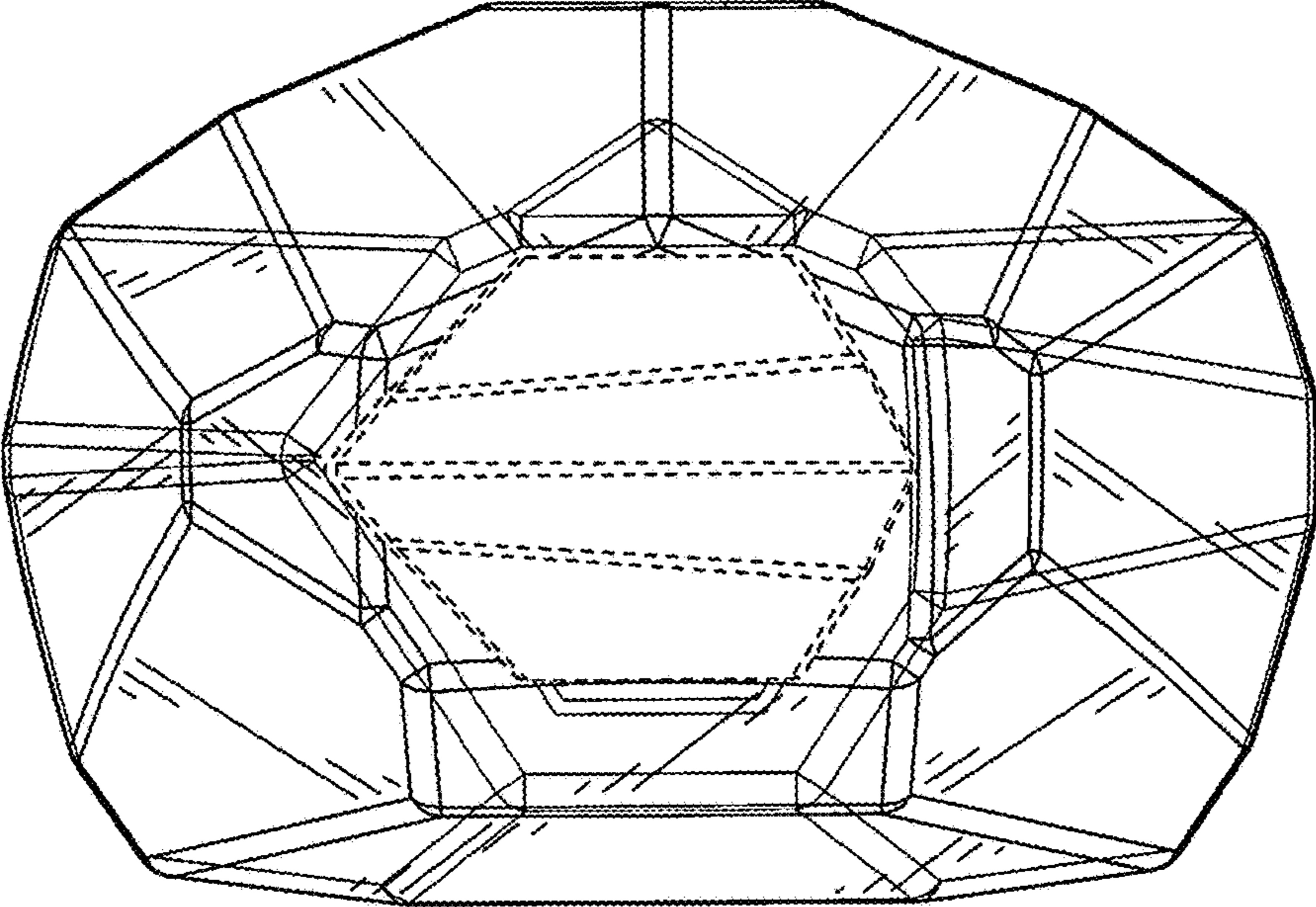


FIG. 6

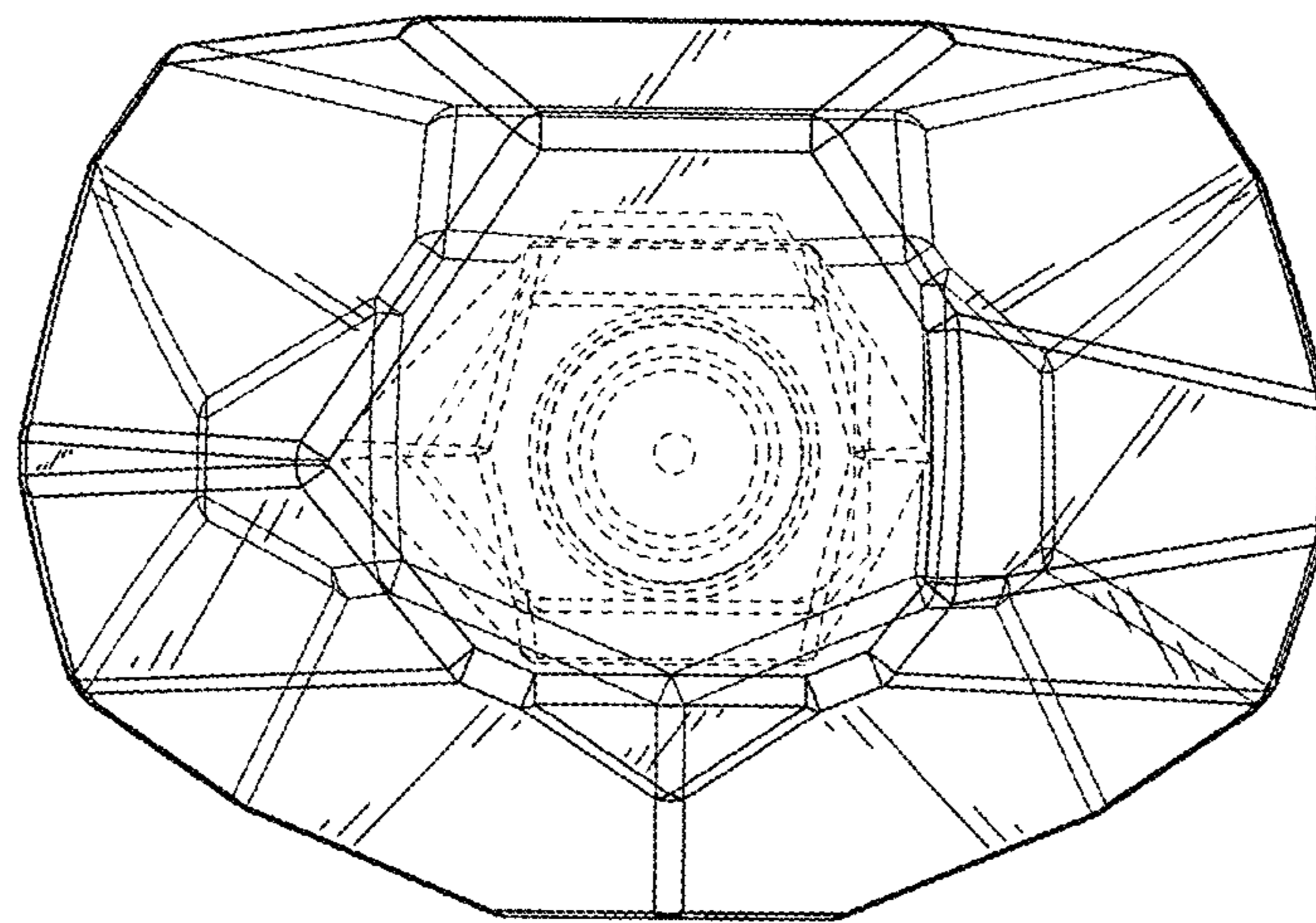


FIG. 7

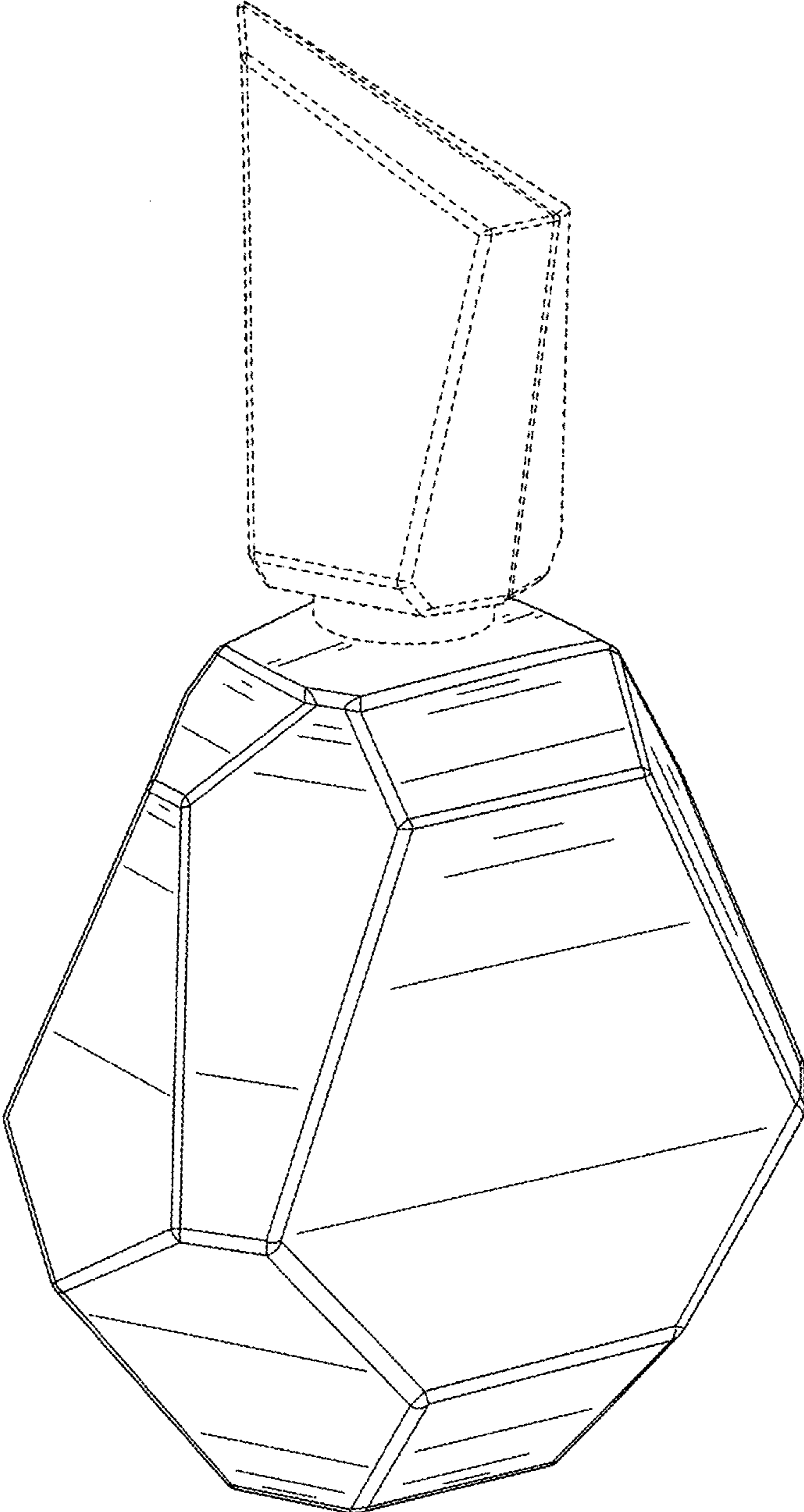


FIG. 8

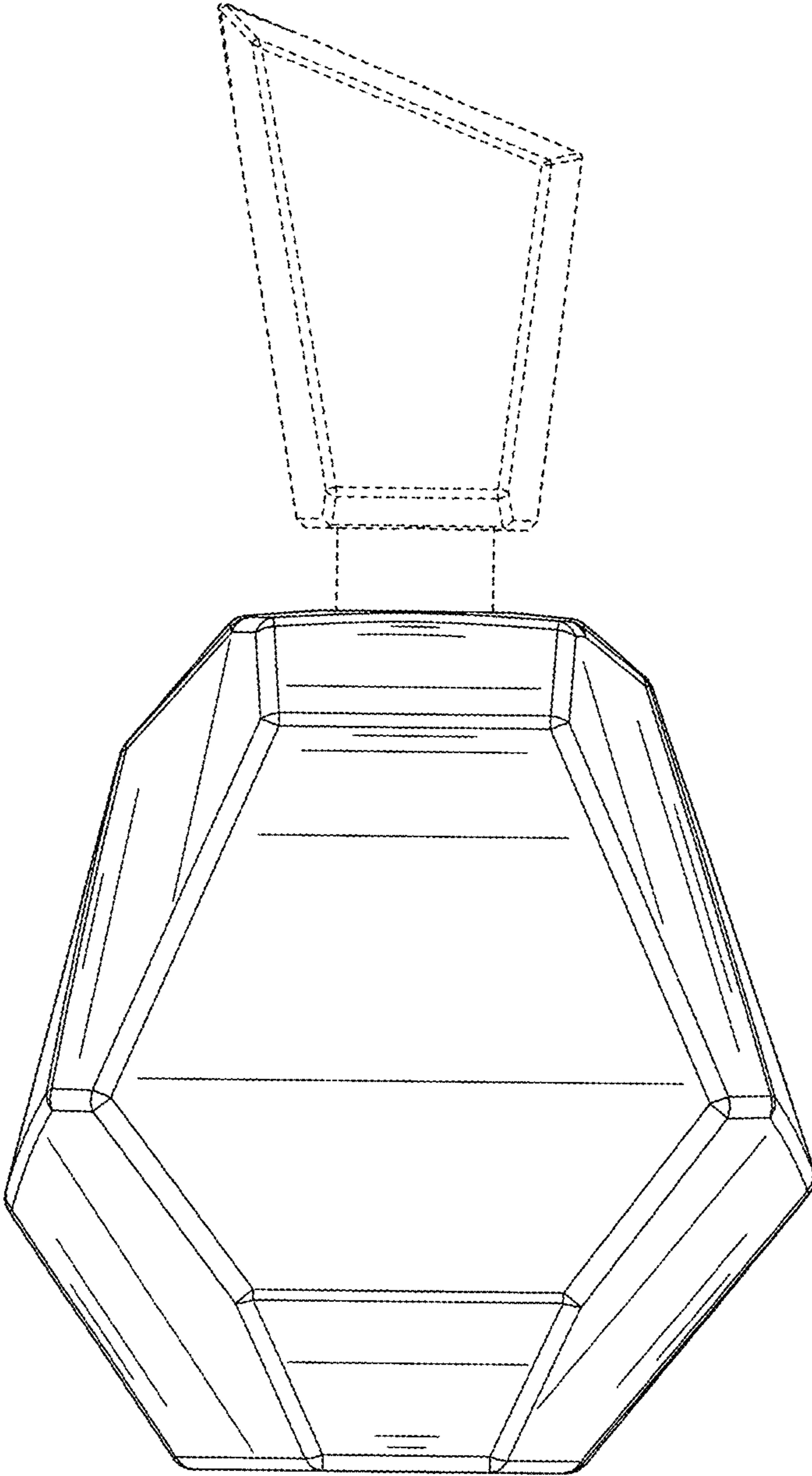


FIG. 9

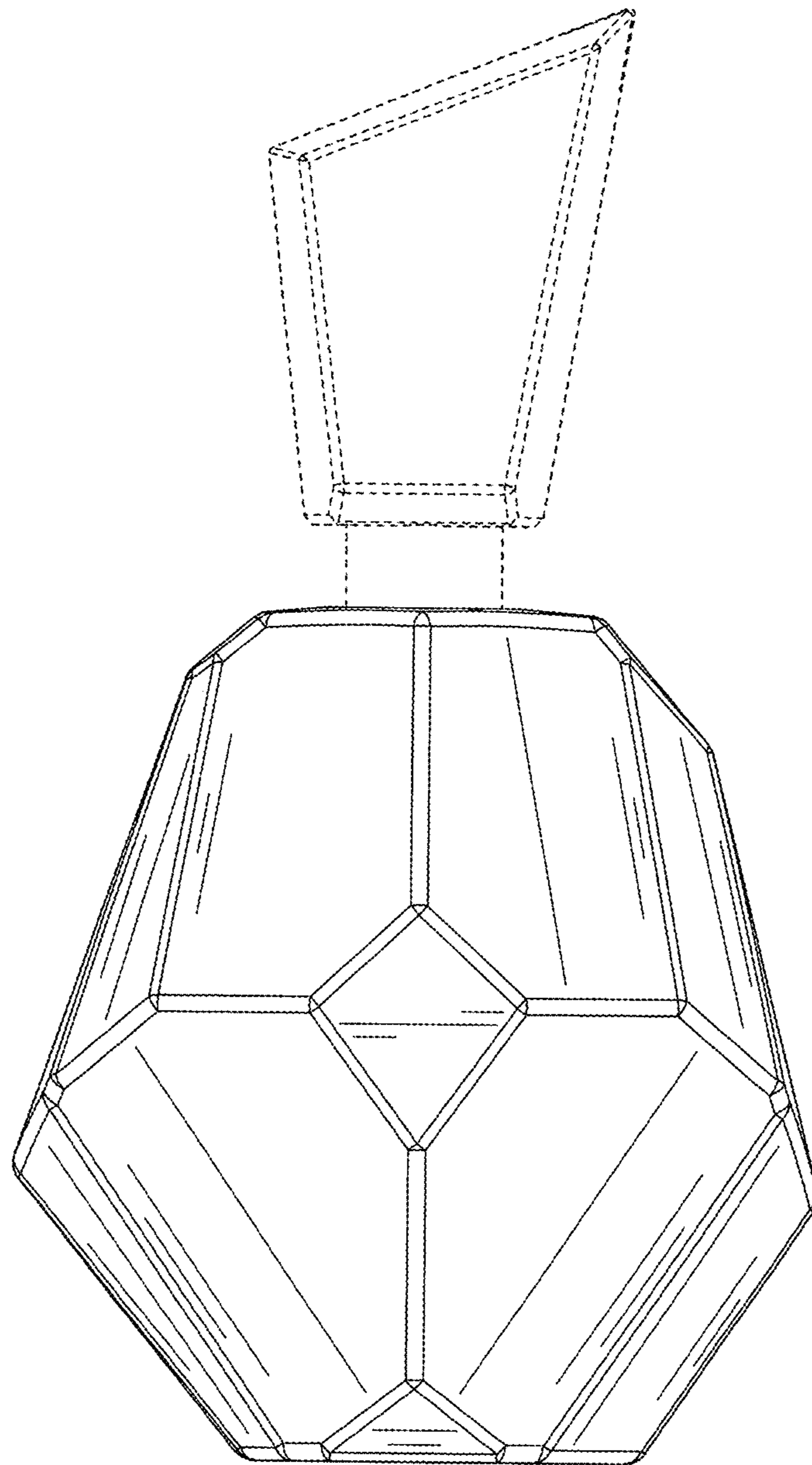


FIG. 10

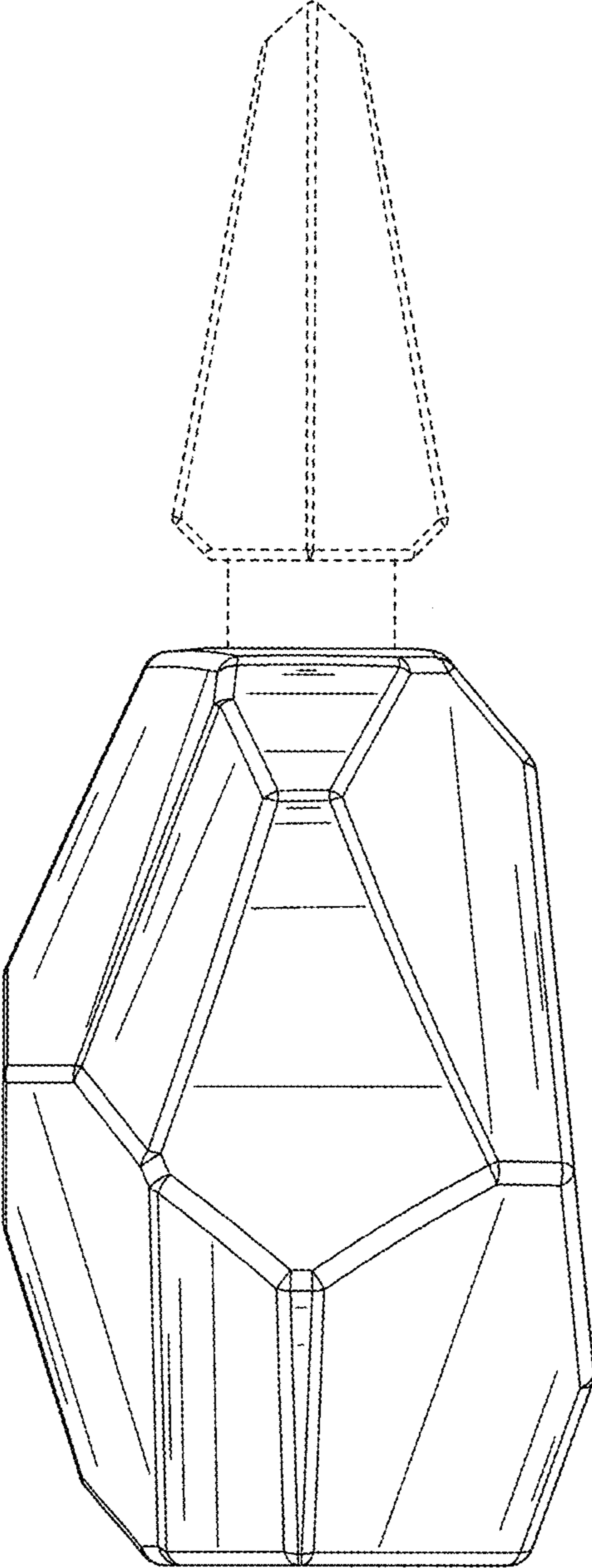


FIG. 11

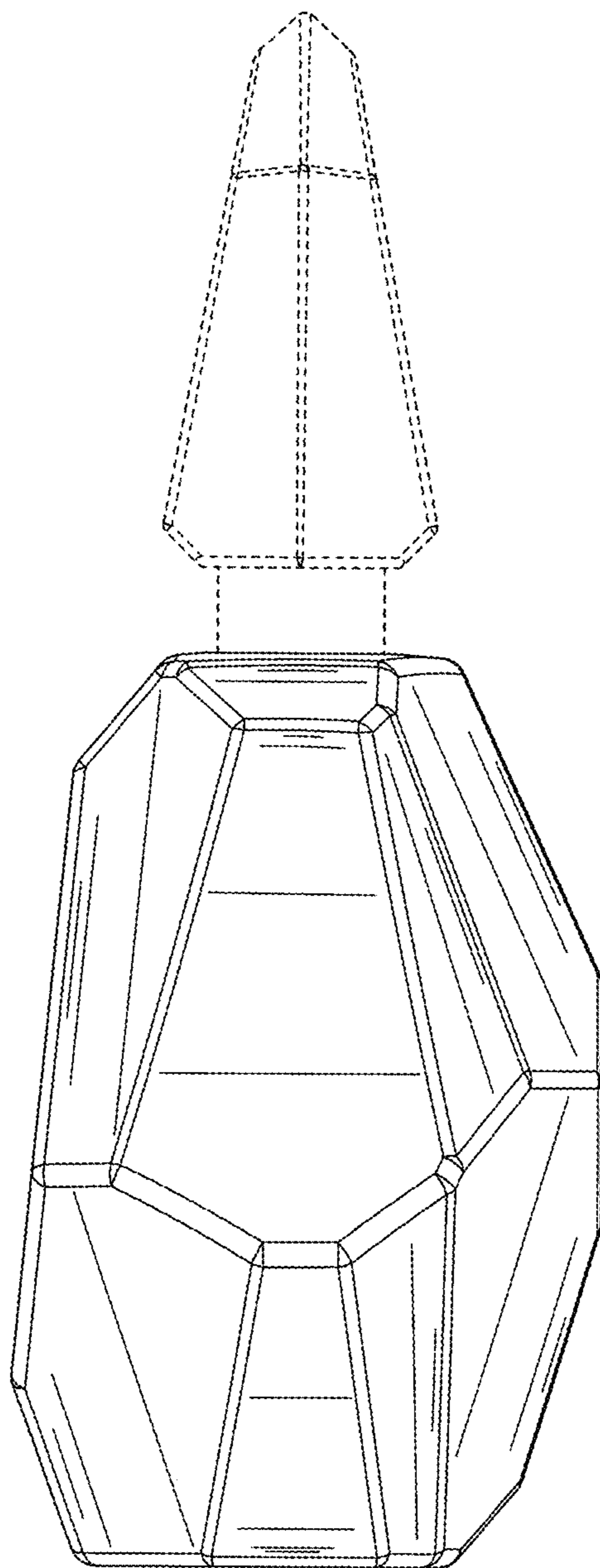


FIG. 12

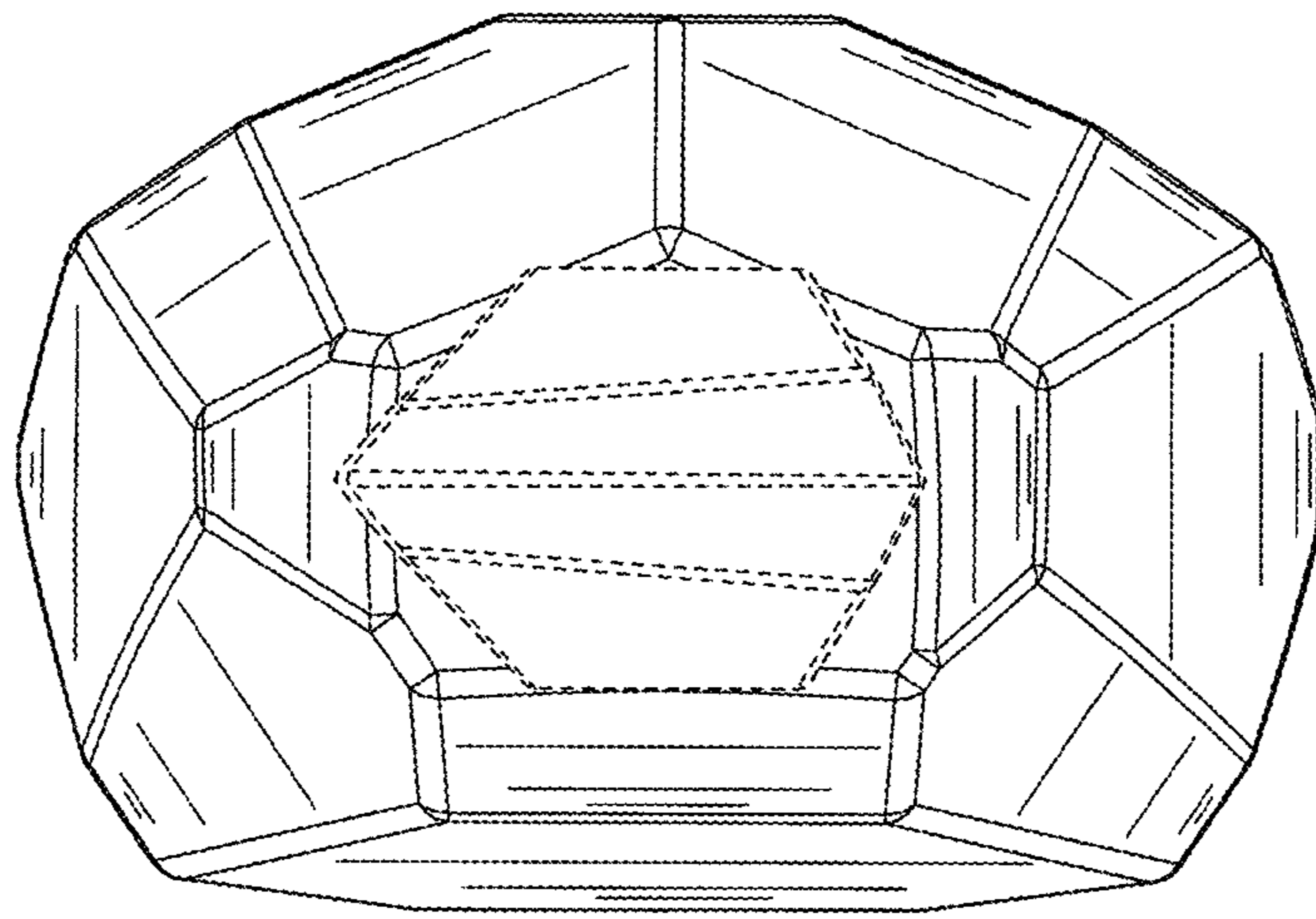


FIG. 13

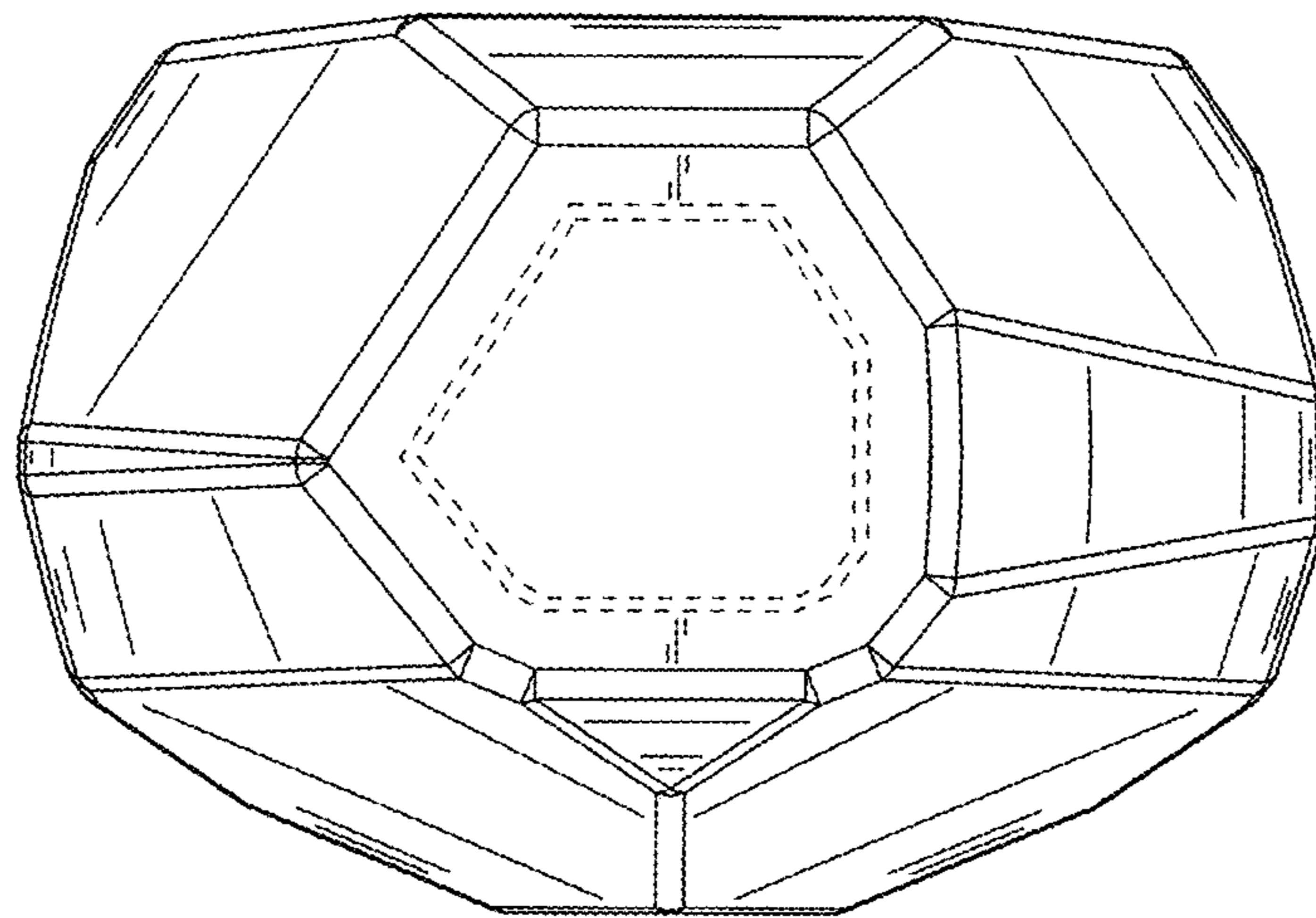


FIG. 14