



US00D803685S

(12) **United States Design Patent** (10) **Patent No.:** **US D803,685 S**  
**Kaye et al.** (45) **Date of Patent:** **\*\* Nov. 28, 2017**

(54) **CONTAINER LID**

(71) Applicant: **Henkel IP & Holding GmbH**,  
Düsseldorf (DE)

(72) Inventors: **Glenn Kaye**, Stamford, CT (US); **Anne Nixon**, Fairfield, CT (US); **Alexander Bennett**, Bedford, CT (US); **Robert Ripley**, Stratford, CT (US)

(73) Assignee: **Henkel IP & Holding GmbH**,  
Duesseldorf (DE)

(\*\*) Term: **15 Years**

(21) Appl. No.: **29/569,406**

(22) Filed: **Jun. 27, 2016**

**Related U.S. Application Data**

(63) Continuation of application No. 29/466,785, filed on Sep. 11, 2013, now Pat. No. Des. 760,088.

(51) **LOC (10) Cl.** ..... **09-07**

(52) **U.S. Cl.**  
USPC ..... **D9/453**

(58) **Field of Classification Search**

USPC ..... D3/201, 202, 203.1, 203.2, 396.2;  
D7/300, 509, 511, 602, 619.1; D9/434,  
D9/435, 449, 450, 452, 453, 454;  
D12/197, 202, 207, 208; D21/524, 525,  
D21/532; D23/206, 259, 250, 261;  
D24/121, 127, 199, 224; D28/7, 76, 78,  
D28/82, 85, 91; D34/10, 11  
CPC ..... B65D 50/041; B65D 23/00; B65D 1/00;  
B65D 1/02; B65D 1/0223; B65D 1/0207;  
B65D 1/0246; B65D 1/08; B65D 1/10;  
B65D 2501/00; B65D 2501/0009; B65D  
83/06; A61J 1/03; A61J 1/05; A47G  
19/22; A47G 19/2205; A47G 19/2266

See application file for complete search history.

(56) **References Cited**

U.S. PATENT DOCUMENTS

D260,492 S \* 9/1981 Scott ..... D7/392.1  
D272,324 S \* 1/1984 Mumford ..... D9/452  
D351,220 S \* 10/1994 Barnes ..... D23/260  
D361,512 S 8/1995 Dalmaz  
5,544,768 A 8/1996 Gargione  
D381,267 S \* 7/1997 Rush ..... D9/452  
D381,268 S \* 7/1997 Rush ..... D9/452

(Continued)

FOREIGN PATENT DOCUMENTS

JP D1406183 \* 1/2011

OTHER PUBLICATIONS

All PowerCore Detergent: Announced Jul. 11, 2016 [online], site visited Mar. 30, 2017. Available from Internet URL: <https://notatrophywife.com/2016/07/all-powercore-pacs-oxi/>.\*

*Primary Examiner* — Thomas Johannes

*Assistant Examiner* — Catherine Posthauer

(74) *Attorney, Agent, or Firm* — Sterne Kessler Goldstein & Fox P.L.L.C

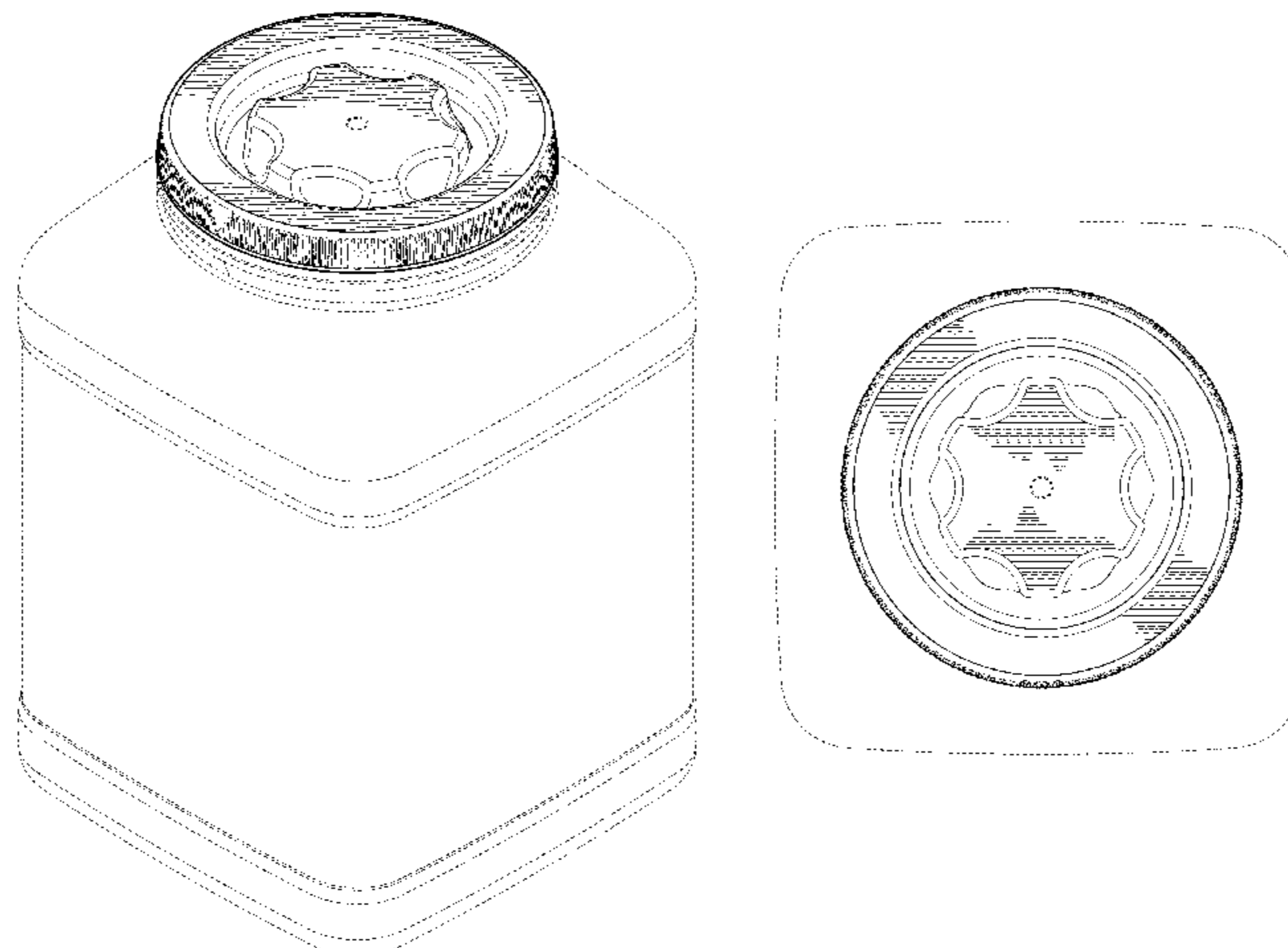
(57) **CLAIM**

The ornamental design for a container lid, as shown and described.

**DESCRIPTION**

FIG. 1 is a top perspective view of a container lid showing the claimed design;  
FIG. 2 is a front view thereof;  
FIG. 3 is a rear view thereof;  
FIG. 4 is a left side view thereof;  
FIG. 5 is a right side view thereof;  
FIG. 6 is a top view thereof;  
FIG. 7 is a bottom view thereof; and,  
FIG. 8 is a bottom perspective view thereof.

(Continued)



The broken lines in the figures show portions of the container lid that form no part of the claimed design.

**1 Claim, 8 Drawing Sheets**

(56)

**References Cited**

U.S. PATENT DOCUMENTS

D403,582 S	1/1999	Nask et al.	
D406,237 S	3/1999	Bettiga	
D407,978 S	4/1999	Petro	
D419,369 S	1/2000	Naft et al.	
D437,228 S	2/2001	Collins	
D459,630 S	7/2002	Arduini	
D477,554 S *	7/2003	Keefer .....	D12/197
D481,801 S	11/2003	Whitley	
D492,596 S	7/2004	Miceli	
D515,865 S	2/2006	Kim	
D518,719 S	4/2006	von Spreckelsen et al.	
D528,417 S	9/2006	Matsuda et al.	
D547,657 S	7/2007	Tacchella	
D553,819 S	10/2007	Brothers	
D564,878 S	3/2008	Baughman et al.	
D566,640 S *	4/2008	Holz .....	D12/197
D567,087 S	4/2008	Baughman et al.	
D573,928 S *	7/2008	Ratcliffe .....	D12/197
D574,238 S *	8/2008	Walker .....	D9/435
D587,580 S	3/2009	Kane et al.	
D588,870 S	3/2009	Rasmussen	
D596,455 S	7/2009	Laib	
D600,120 S	9/2009	Kawamura	

D604,613 S	11/2009	Garboni	
D608,641 S	1/2010	Baughman et al.	
D610,007 S	2/2010	Baughman et al.	
D616,745 S *	6/2010	Stull .....	D9/452
D616,746 S *	6/2010	Stull .....	D9/452
D616,747 S *	6/2010	Stull .....	D9/452
D617,191 S	6/2010	Stull et al.	
D632,958 S	2/2011	Fuchs	
D637,081 S	5/2011	Collins	
D641,628 S	7/2011	Baughman	
D646,754 S	10/2011	Reimann et al.	
D668,542 S	10/2012	Thurin et al.	
D671,834 S	12/2012	Chasteen et al.	
D673,047 S	12/2012	Stamper et al.	
D712,744 S *	9/2014	Neputy .....	D9/454
D723,370 S	3/2015	Medlin	
D727,148 S *	4/2015	Humm .....	D9/449
D727,149 S *	4/2015	Humm .....	D9/449
D739,233 S *	9/2015	Antal, Sr. ....	D9/435
D754,584 S *	4/2016	Fretz .....	D12/213
D760,088 S *	6/2016	Kaye .....	D9/516
D762,475 S *	8/2016	Turner .....	D9/434
D766,086 S *	9/2016	Strachan .....	D9/434
D766,087 S	9/2016	Strachan	
2005/0109780 A1 *	5/2005	Pendergrass .....	B65D 43/0212 220/254.1
2010/0126997 A1 *	5/2010	Stull, Sr. ....	B65D 50/041 220/281
2013/0327783 A1 *	12/2013	Blake .....	B65D 51/1694 220/780
2015/0336723 A1 *	11/2015	Koennecke .....	B65D 51/2814 206/222
2016/0107806 A1 *	4/2016	Fraser .....	B65D 41/086 53/485

\* cited by examiner

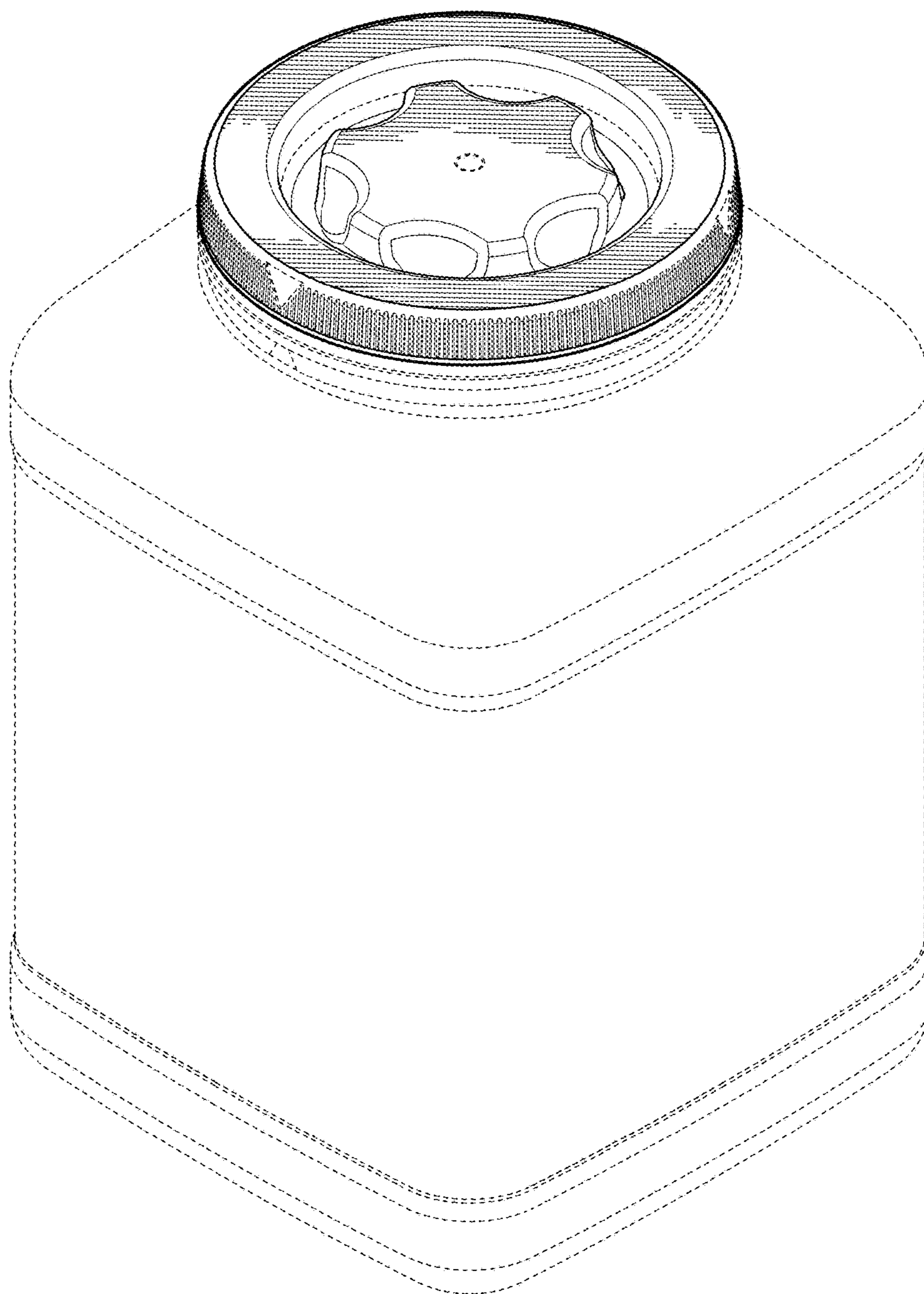


FIG. 1



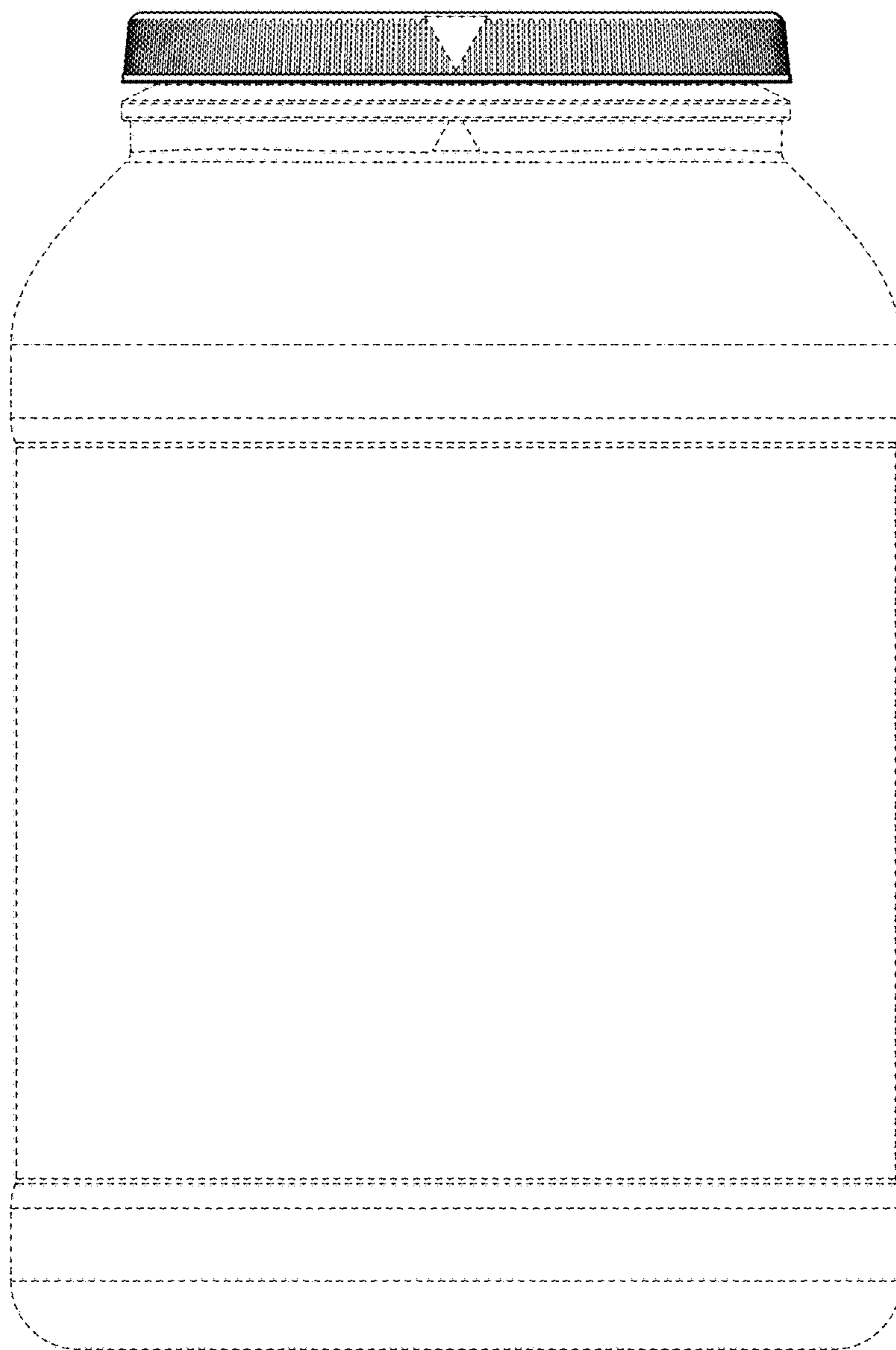


FIG. 2

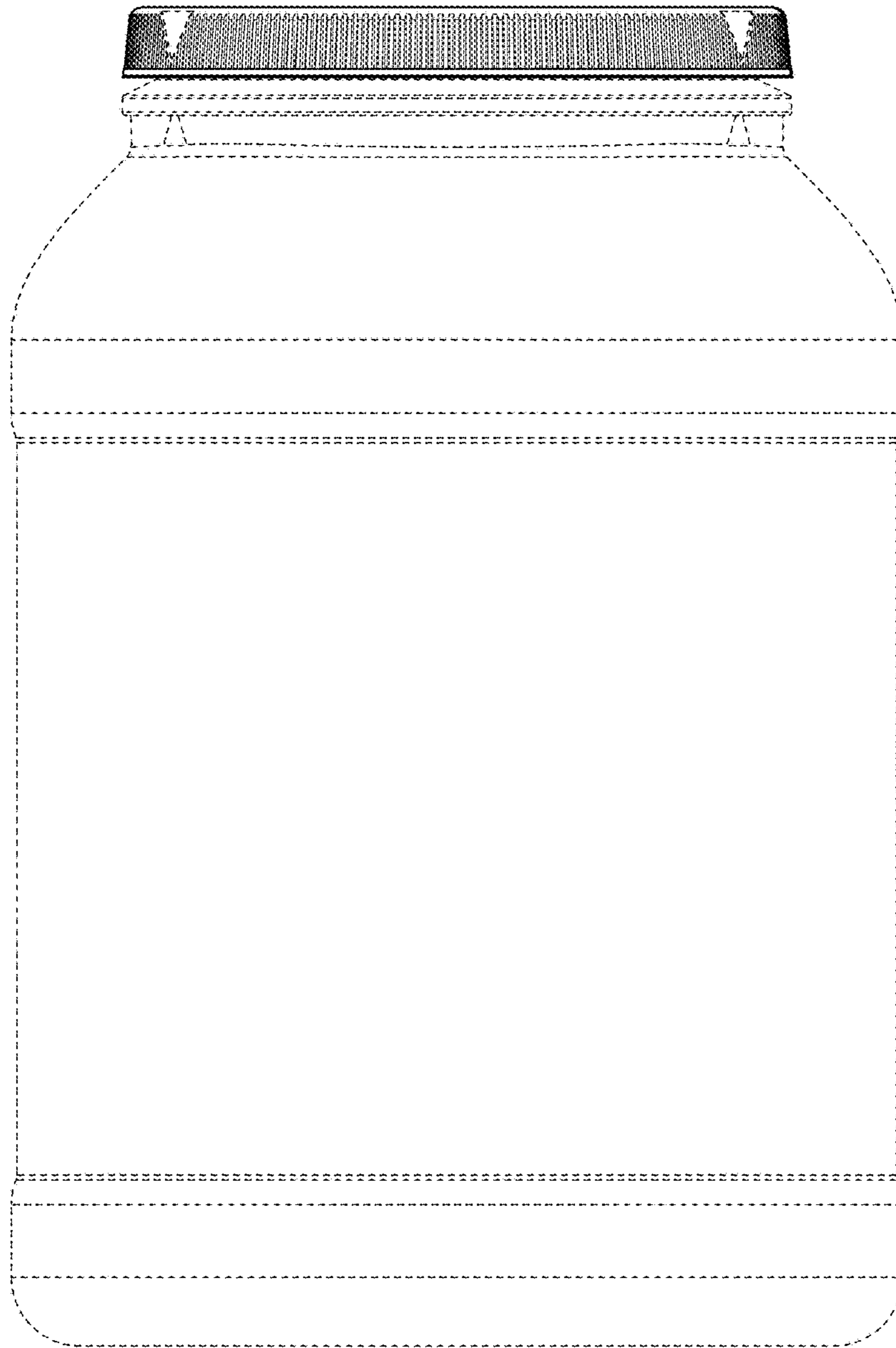


FIG. 3

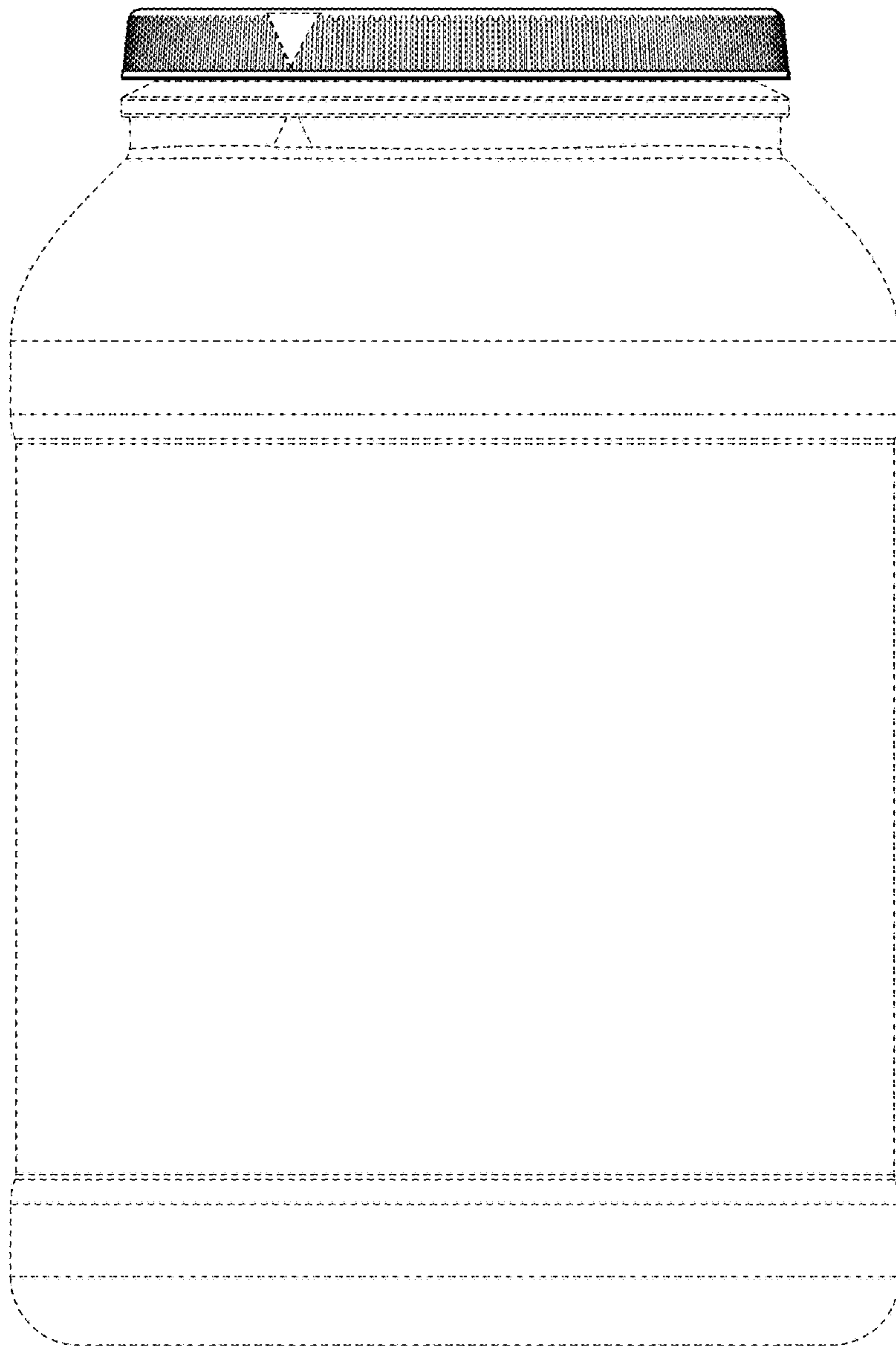


FIG. 4

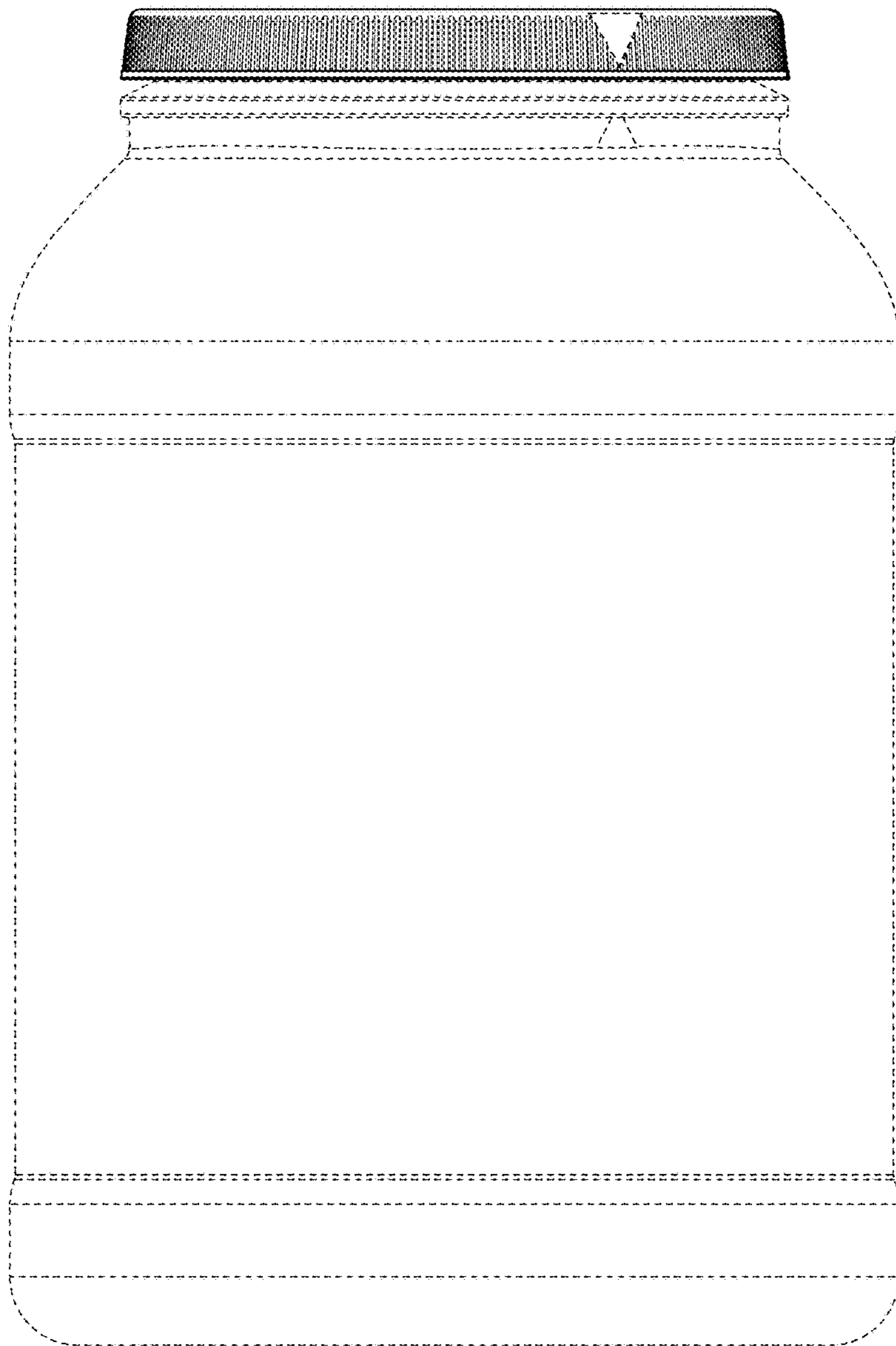


FIG. 5

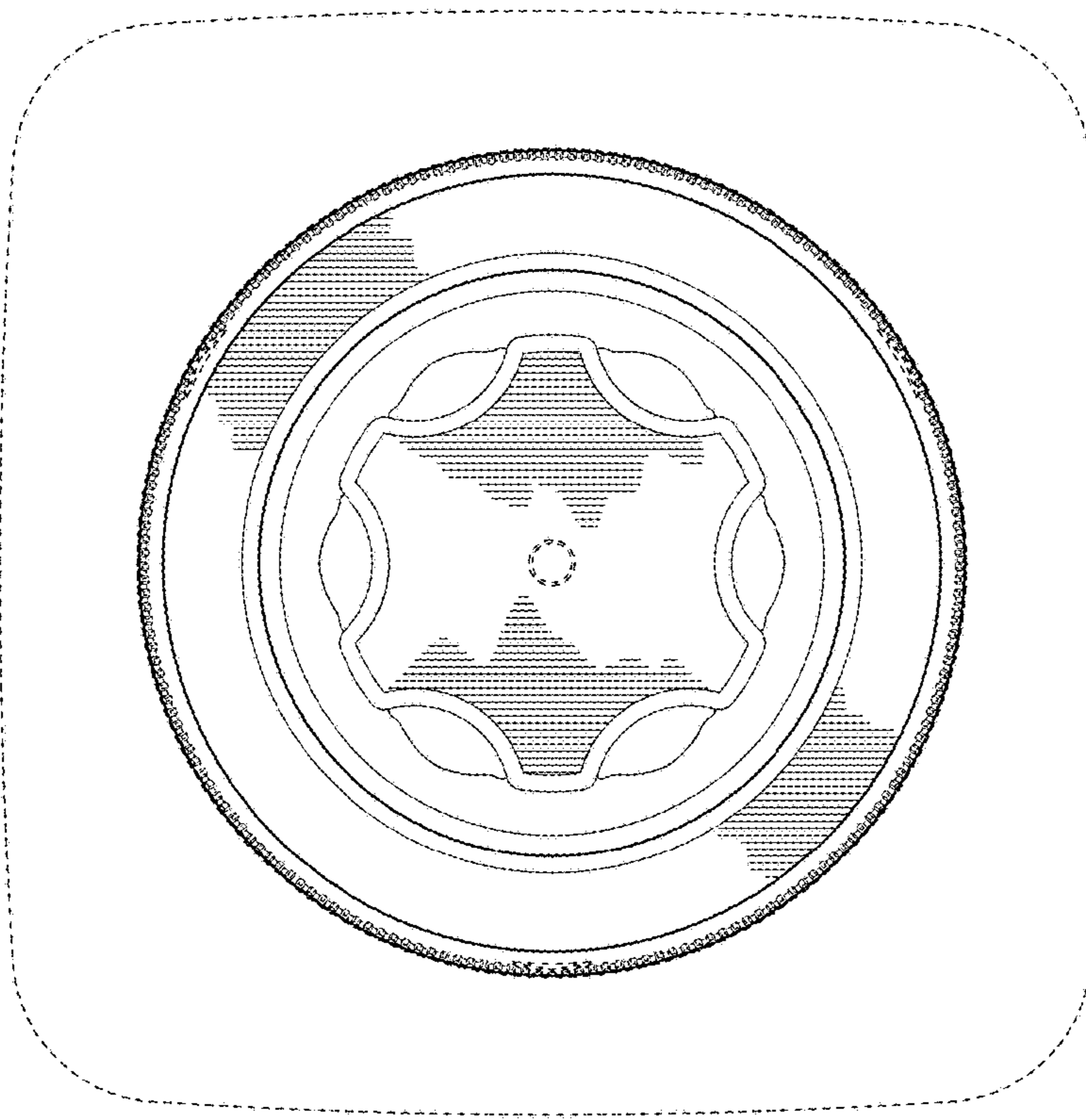


FIG. 6



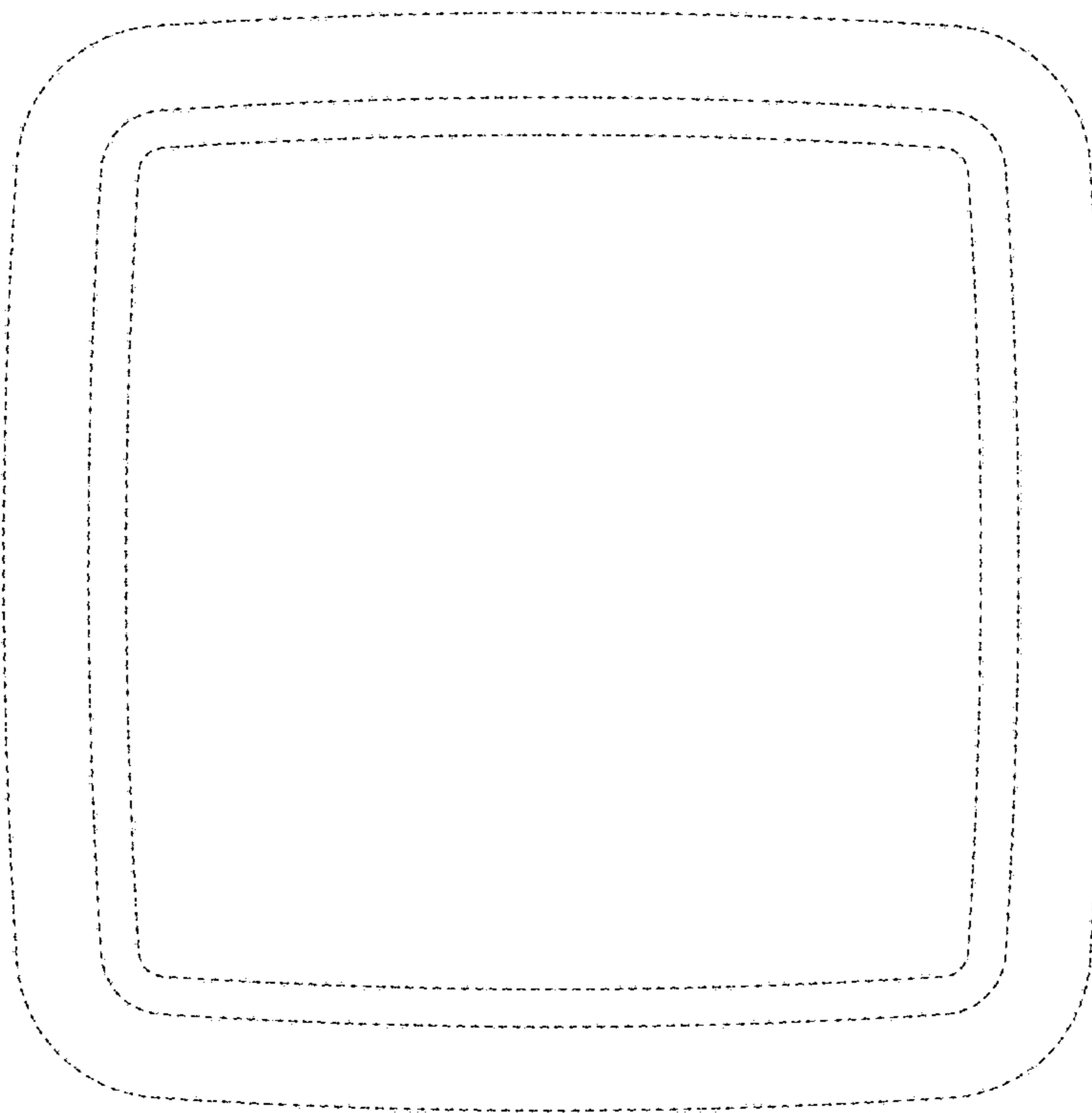


FIG. 7

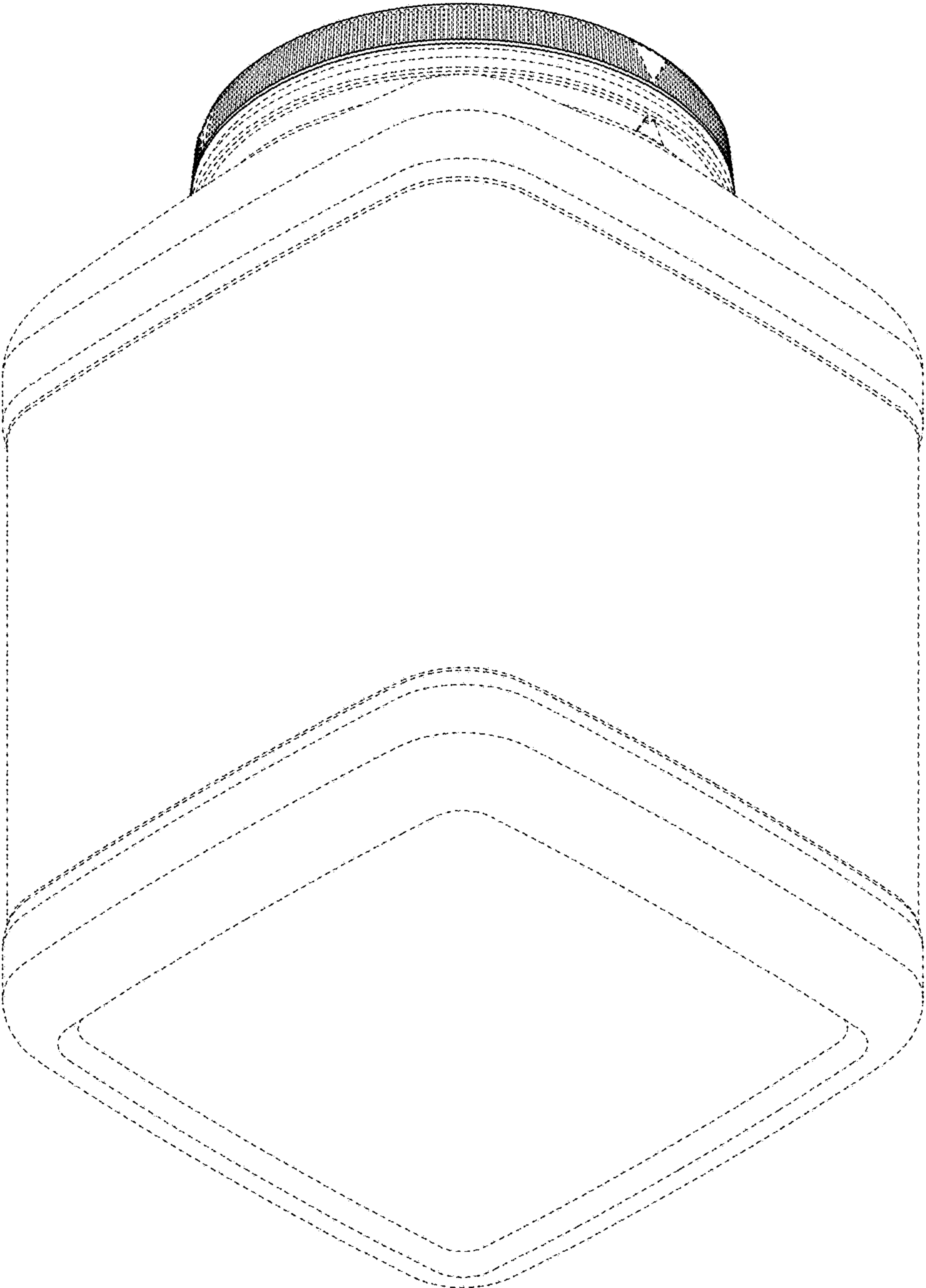


FIG. 8