



US00D803684S

(12) **United States Design Patent** (10) **Patent No.:** **US D803,684 S**  
**Seiders et al.** (45) **Date of Patent:** **\*\* Nov. 28, 2017**

(54) **LID**

(71) Applicant: **YETI Coolers, LLC**, Austin, TX (US)

(72) Inventors: **Roy Joseph Seiders**, Austin, TX (US); **Andy Bondhus**, Austin, TX (US); **Kyle Ellison**, Austin, TX (US); **Evan Goldberg**, Austin, TX (US)

(73) Assignee: **YETI Coolers, LLC**, Austin, TX (US)

(\*\*) Term: **15 Years**

(21) Appl. No.: **29/568,683**

(22) Filed: **Jun. 20, 2016**

(51) **LOC (10) Cl.** ..... **09-07**

(52) **U.S. Cl.**  
USPC ..... **D9/449**; D7/392.1

(58) **Field of Classification Search**  
USPC ..... D3/201, 202, 318; D7/387, 392, 392.1, D7/396.2, 396.3, 397, 398; D9/416, 419, D9/434-438, 440, 443, 445, 447, 449, D9/454, 456, 499  
CPC ..... B65D 39/00; B65D 39/0035; B65D 43/16  
See application file for complete search history.

(56) **References Cited**

**U.S. PATENT DOCUMENTS**

D192,192 S *	2/1962	Tupper	.....	D7/392
4,090,660 A	5/1978	Schram et al.		
4,202,459 A	5/1980	DeParales et al.		
4,408,703 A	10/1983	Libit		
D363,666 S	10/1995	Goto et al.		
D485,759 S	1/2004	Janky et al.		
D504,796 S *	5/2005	Schuler	.....	D7/392.1
D544,749 S	6/2007	Seum et al.		
D552,926 S	10/2007	Yelland		
D608,140 S *	1/2010	Gilbert	.....	D7/392.1
D627,600 S	11/2010	Eyal		

(Continued)

**OTHER PUBLICATIONS**

Hydro Flask. Hydro Flip. 2015 [earliest online date], [site visited Apr. 28, 2017]. Available from Internet, <URL:https://www.hydroflask.com/hydro-flip#92=57>.\*

(Continued)

*Primary Examiner* — Robert M Spear

*Assistant Examiner* — Darcey E Heflin

(74) *Attorney, Agent, or Firm* — Banner & Witcoff, Ltd.

(57) **CLAIM**

The ornamental design for a lid, as shown and described.

**DESCRIPTION**

FIG. 1 is a top, front, right perspective view of a lid showing our new design;

FIG. 2 is a front view thereof;

FIG. 3 is a rear view thereof;

FIG. 4 is a left side view thereof;

FIG. 5 is a right side view thereof;

FIG. 6 is a top view thereof;

FIG. 7 is a bottom view thereof;

FIG. 8 is a top, front, right perspective view of a lid showing our new design in an alternate configuration;

FIG. 9 is a front view thereof;

FIG. 10 is a rear view thereof;

FIG. 11 is a left side view thereof;

FIG. 12 is a right side view thereof;

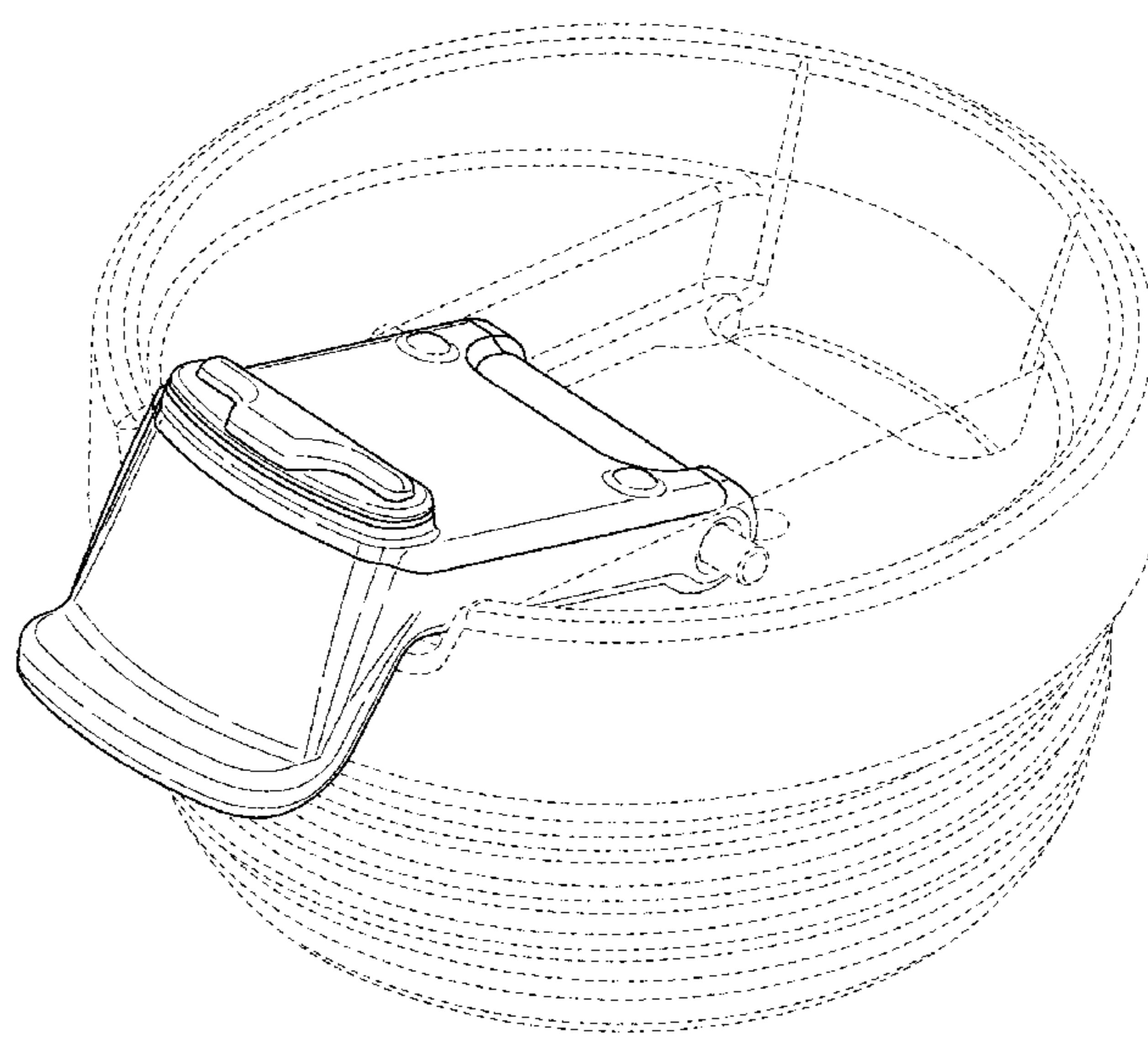
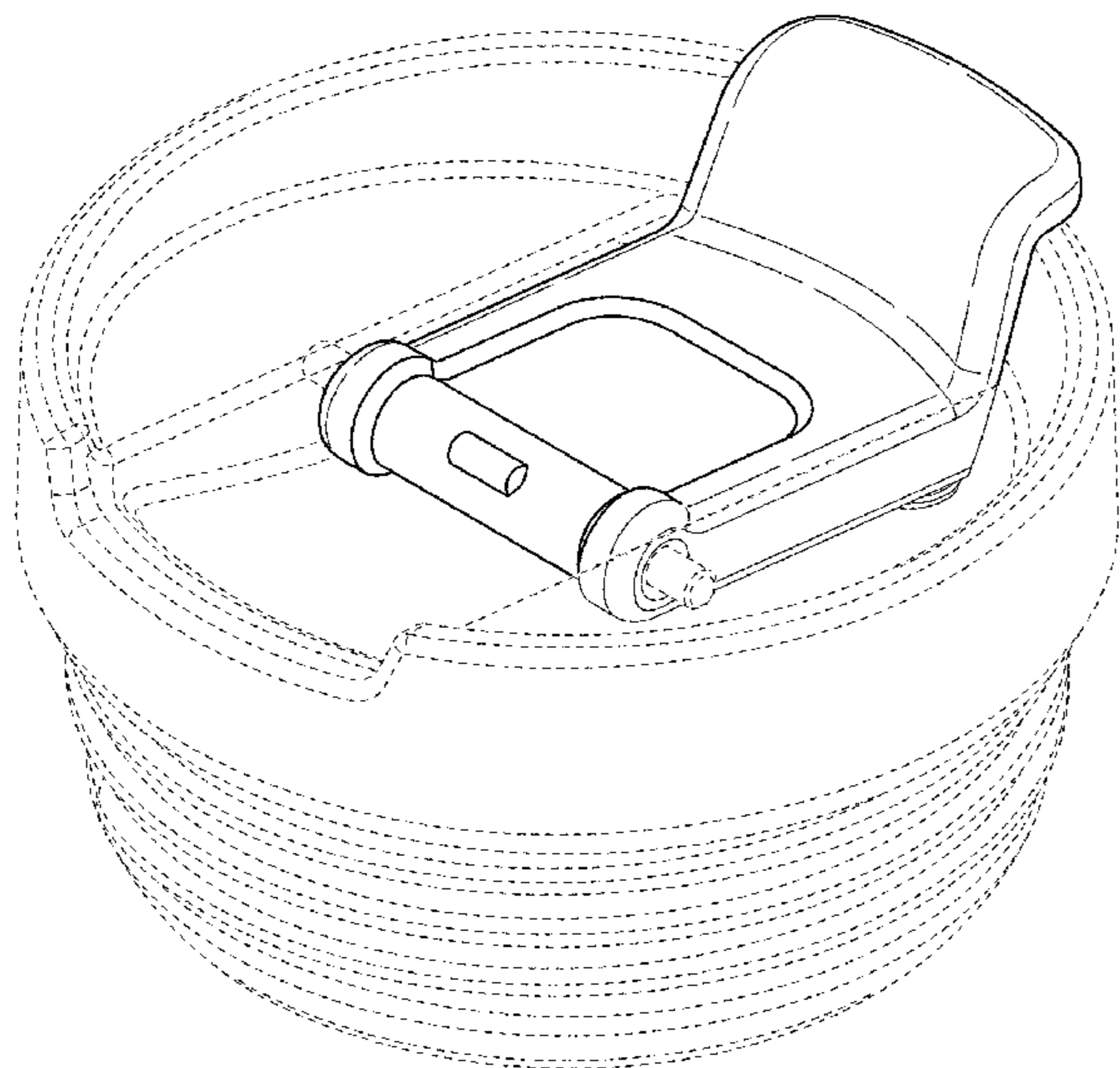
FIG. 13 is a top view thereof;

FIG. 14 is a bottom view thereof; and,

FIG. 15 is a top, front, right perspective view of a lid showing our new design in a second alternate configuration.

In the drawings, the broken line showing of a lid depicts environment and forms no part of the claim. The contrast in shading represents a contrast in appearance only and does not represent any particular color, material, texture or finish.

**1 Claim, 12 Drawing Sheets**



(56)

References Cited

OTHER PUBLICATIONS

U.S. PATENT DOCUMENTS

D643,245 S \* 8/2011 Minarsch ..... D7/392.1  
 D644,060 S 8/2011 Komeiji  
 D647,753 S 11/2011 Lin  
 D655,570 S 3/2012 Meehan  
 D655,967 S 3/2012 Bodum  
 D666,052 S \* 8/2012 Trombly ..... D7/392.1  
 D667,263 S 9/2012 Gilbert et al.  
 8,276,776 B2 10/2012 Roth et al.  
 D674,663 S 1/2013 Cahen  
 D691,416 S \* 10/2013 Eyal ..... D7/396.2  
 D692,756 S 11/2013 McClellan et al.  
 D715,100 S \* 10/2014 Eyal ..... D7/510  
 D717,115 S 11/2014 Lane et al.  
 D721,540 S 1/2015 Grcic  
 D732,337 S \* 6/2015 Coon ..... D7/392.1  
 D747,199 S \* 1/2016 Phillips ..... D9/438  
 D751,340 S \* 3/2016 Seiders ..... D7/396.2  
 D751,341 S \* 3/2016 Seiders ..... D7/396.2  
 D752,381 S 3/2016 Wahl  
 D761,618 S \* 7/2016 Lapsker ..... D7/392.1  
 D764,869 S 8/2016 Smrtnik et al.  
 D772,651 S 11/2016 Leonard et al.  
 D779,872 S \* 2/2017 Bergstrom ..... D7/392.1  
 2010/0288782 A1 11/2010 Lin  
 2011/0114655 A1 5/2011 Bailey  
 2012/0125931 A1 5/2012 Roth et al.

Jane. Spill Resistant Flip Lid and Yeti Accessories. Dec. 5, 2016 [earliest online date], [site visited Apr. 28, 2017]. Available from Internet, <URL:https://jane.com/deal/263319/spill-resistant-flip-lid-and-yeti-accessories-30oz-many-colors>.\*  
 “Bubba Brands Classic Insulated Travel Mug”. Found online Mar. 9, 2017 at amazon.com. Page dated Sep. 30, 2010. Retrieved from https://www.amazon.com/Bubba-Brands-1953403-Classic-Insulated/dp/B01FB71G8Y/ref=cm\_cr\_arp\_d\_product\_top?ie=UTF8.  
 “Hydro Flask Wide Mouth Hydro Flip Lid”. Found online Mar. 9, 2017 at amazon.com. Page dated Oct. 9, 2012. Retrieved from http://www.amazon.com/Hydro-Flask-Wide-Mouth-Black/dp/B01GW2H430/ref=cm\_cr\_arp\_d\_product\_top?ie=UTF8.  
 “Bubba HERO Bottle Replacement Lid”. Found online Mar. 9, 2017 at amazon.com. Page dated Jan. 14, 2015. Retrieved from https://www.amazon.com/bubba-HERO-bottle-replacement-lid/dp/B00QQYDI44/ref=cm\_cr\_arp\_d\_product\_top?e=UTF8.  
 “Contigo Extreme Stainless Steel Travel Mug”. Found online Mar. 9, 2017 at amazon.com. Page dated Sep. 13, 2016. Retrieved from https://www.amazon.com/Contigo-Extreme-Stainless-Insulated-Limited/dp/B01LZGBMKT/ref=pd\_sim\_79\_3?\_encoding=UTF8&psc=&refRID=A4VHP8EG6AKH3BG73BMZ.

\* cited by examiner

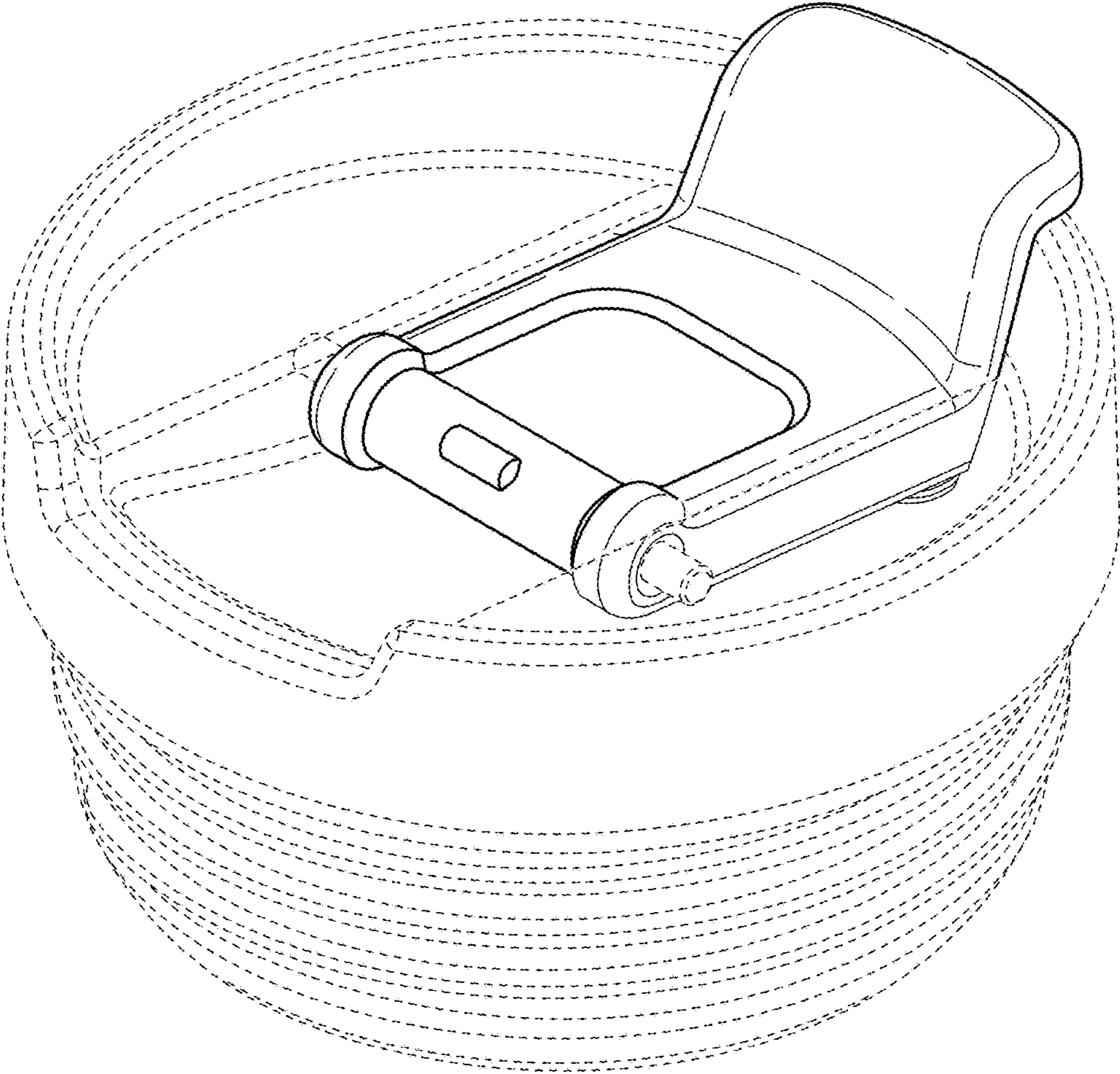


FIG. 1

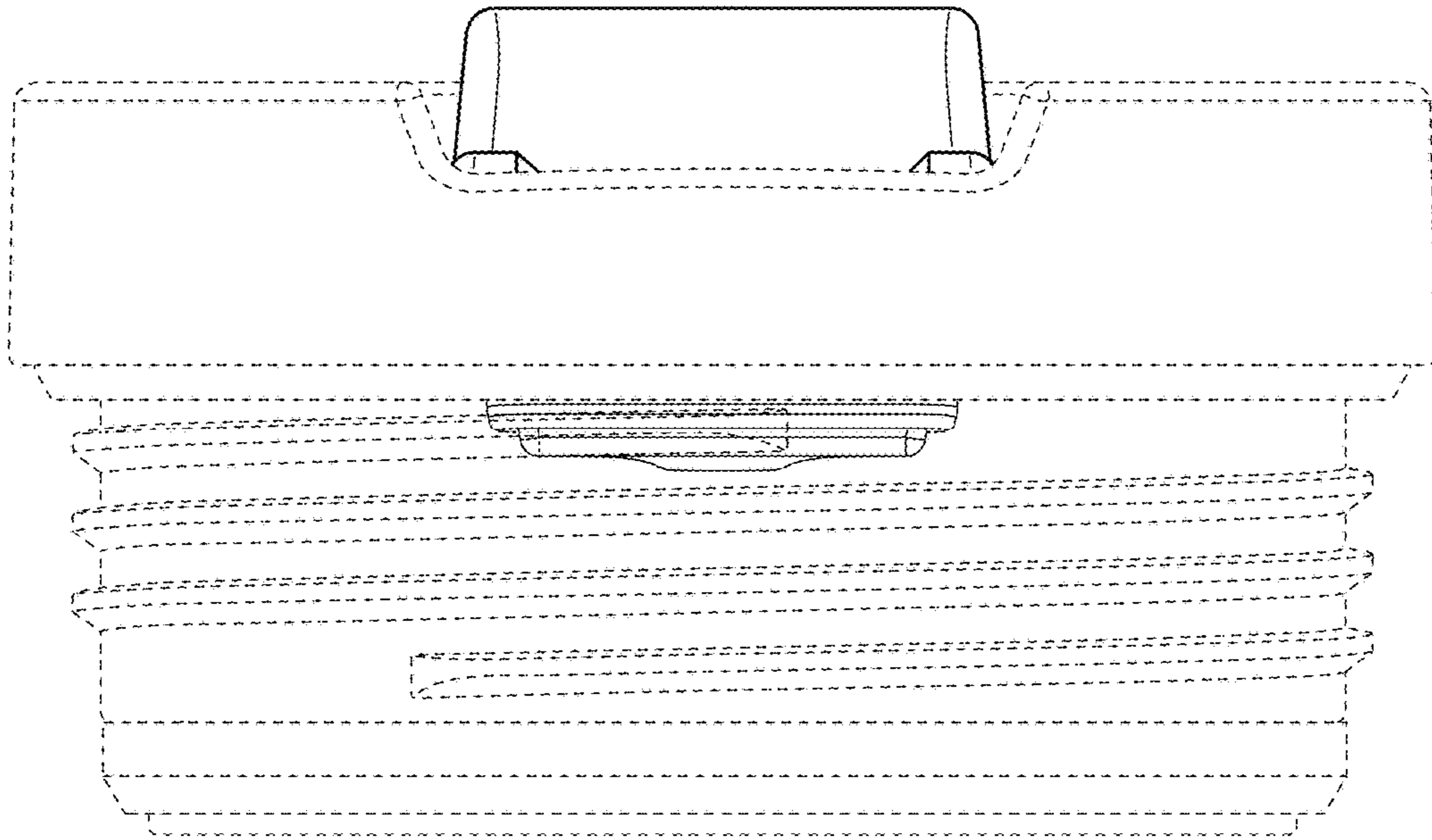


FIG. 2

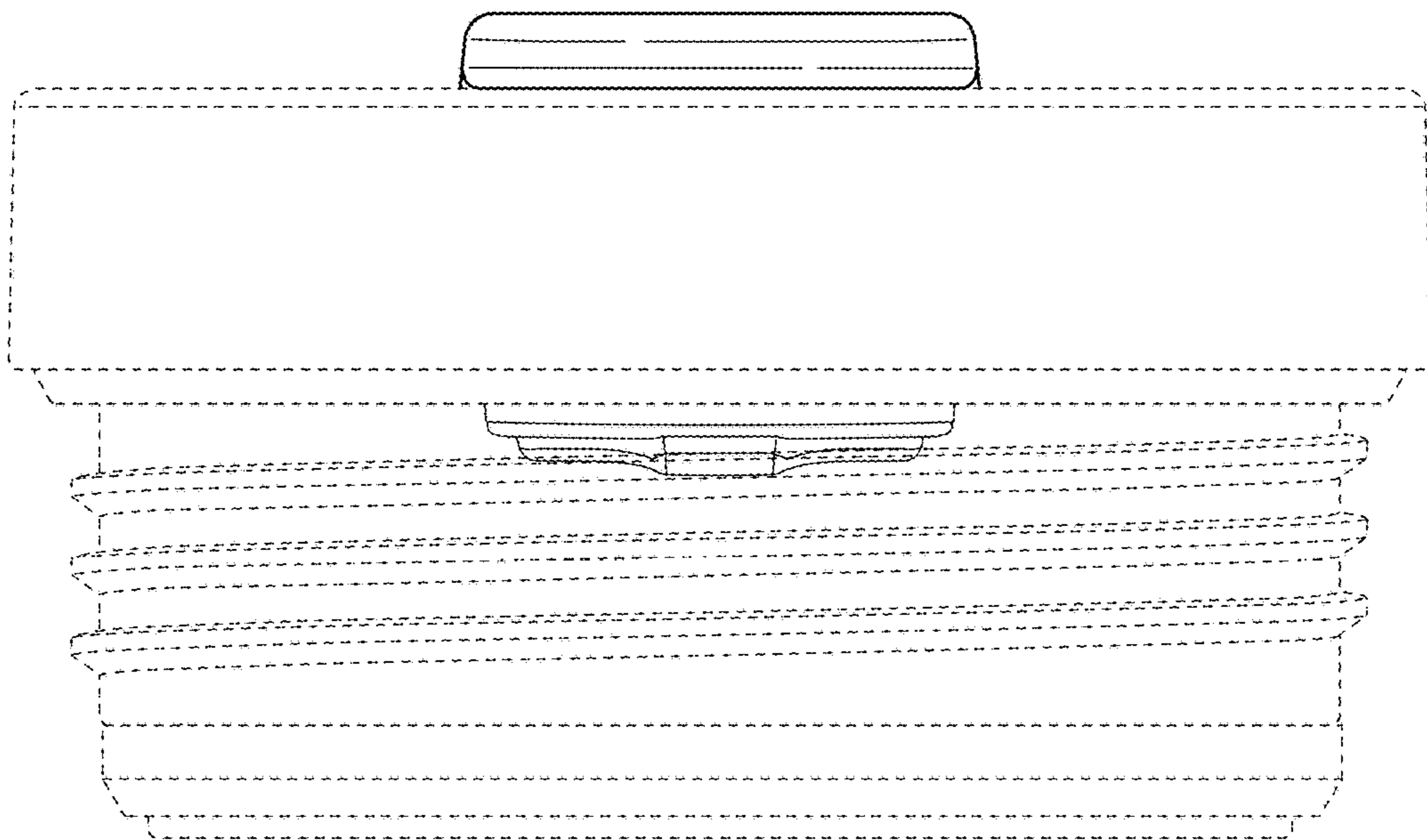


FIG. 3

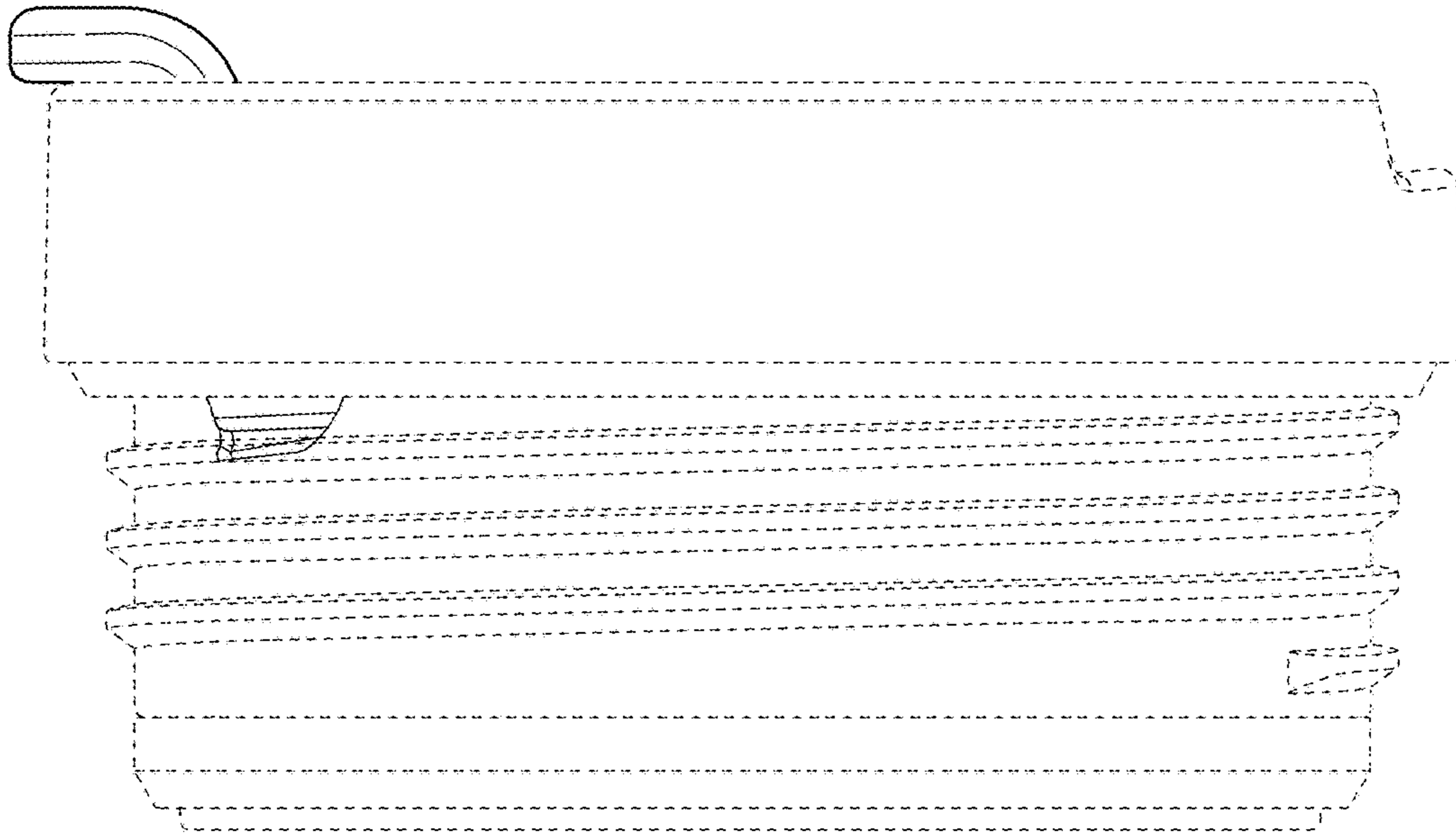


FIG. 4

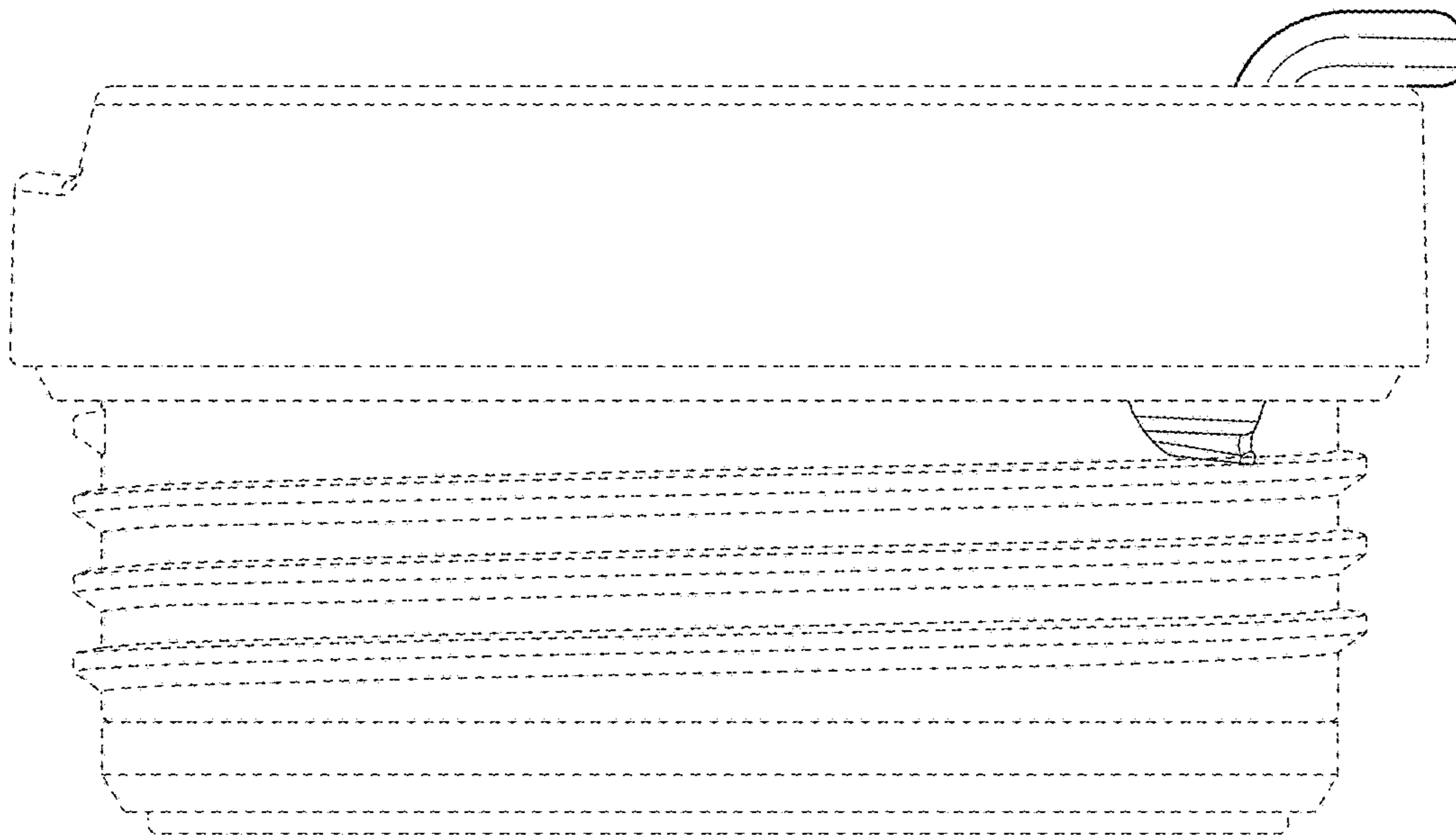


FIG. 5

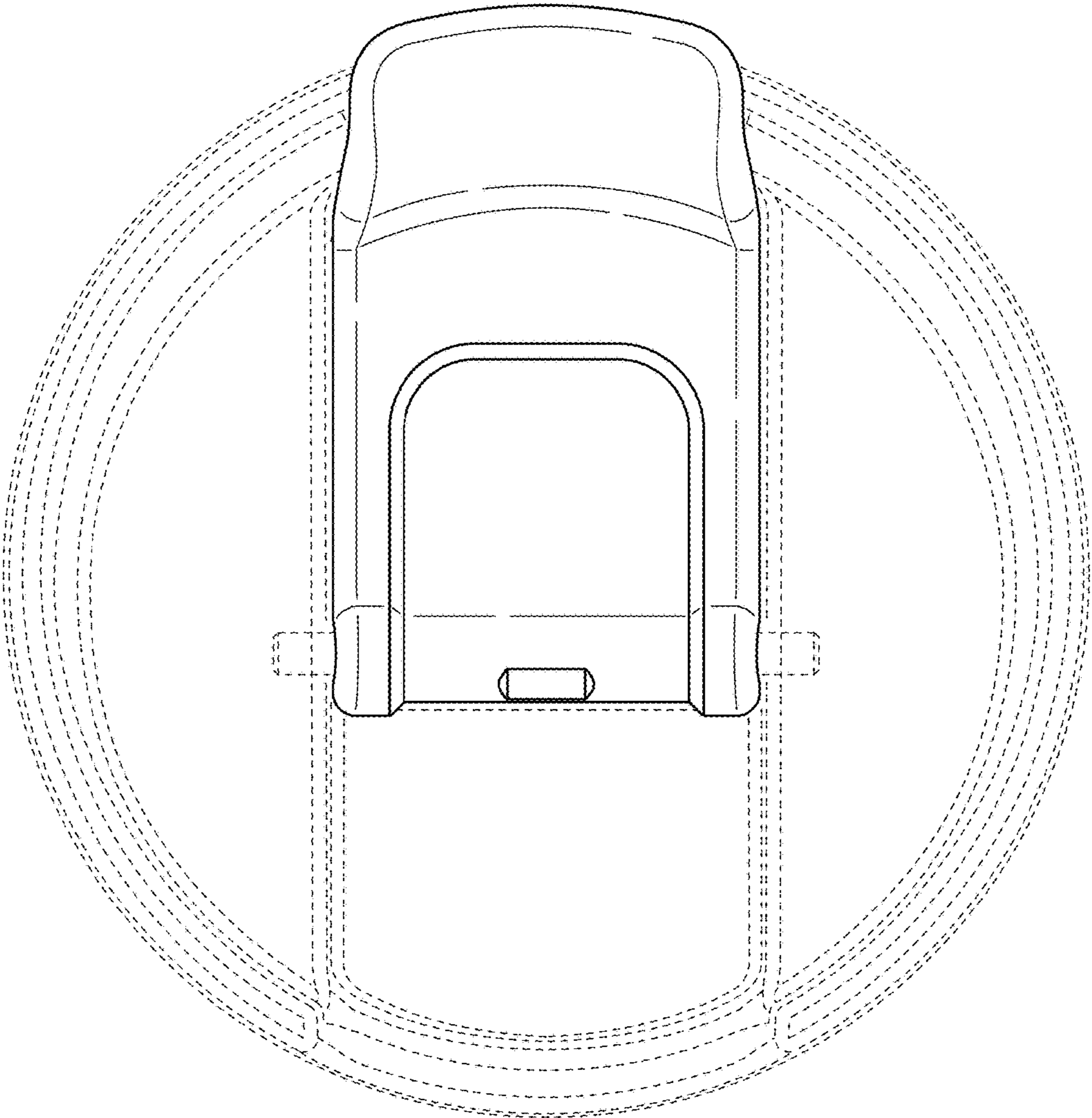


FIG. 6

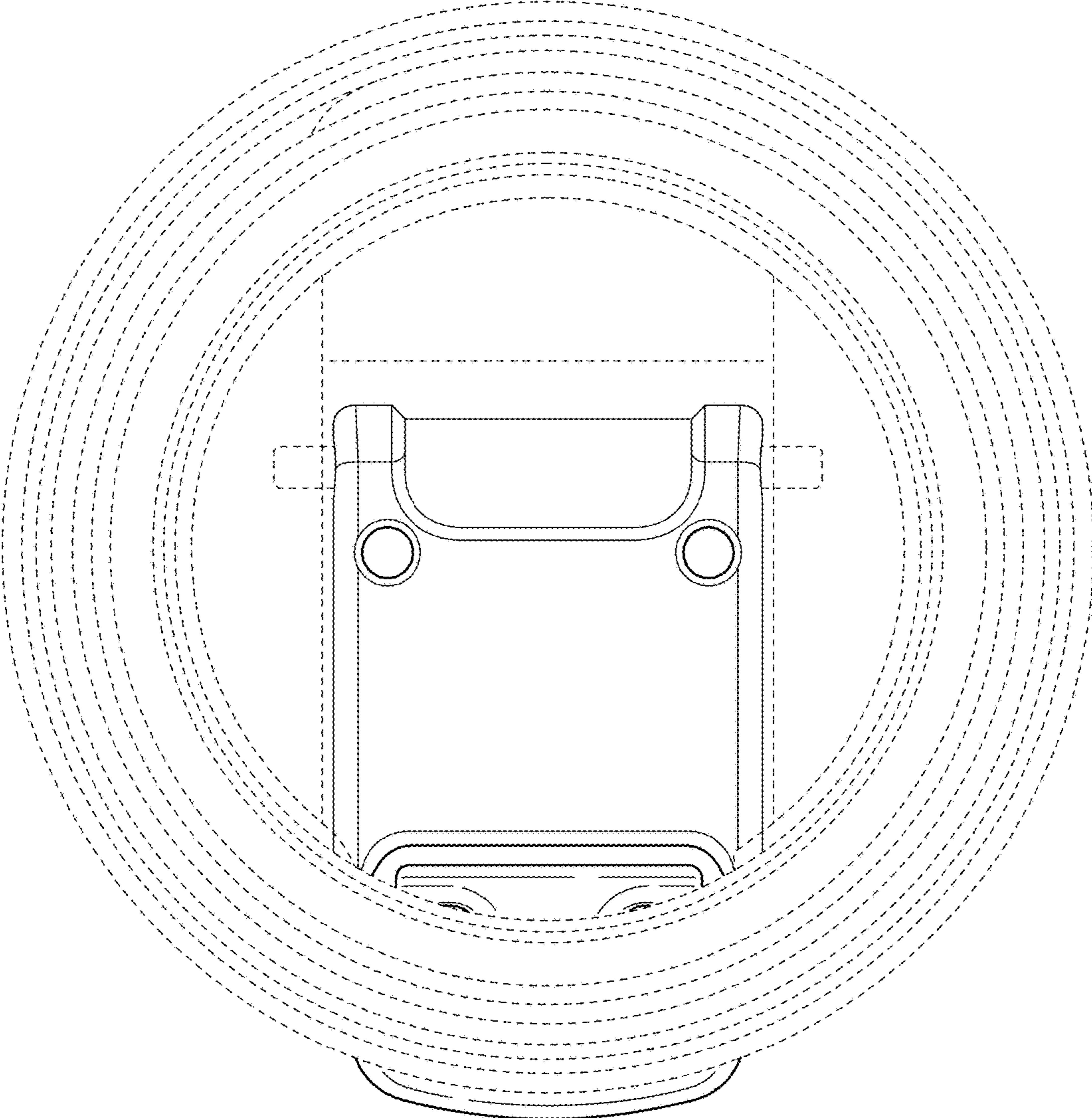


FIG. 7

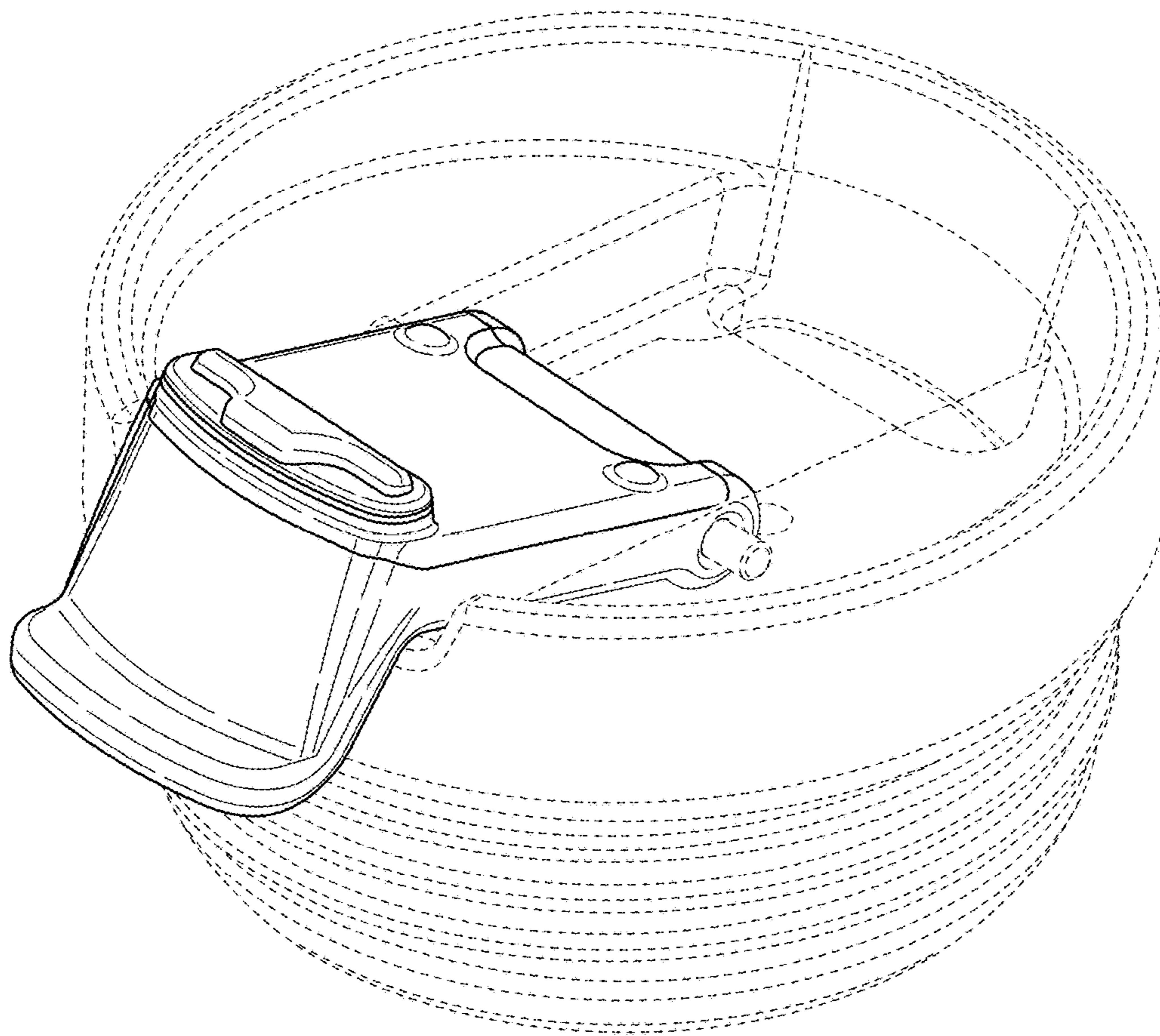


FIG. 8



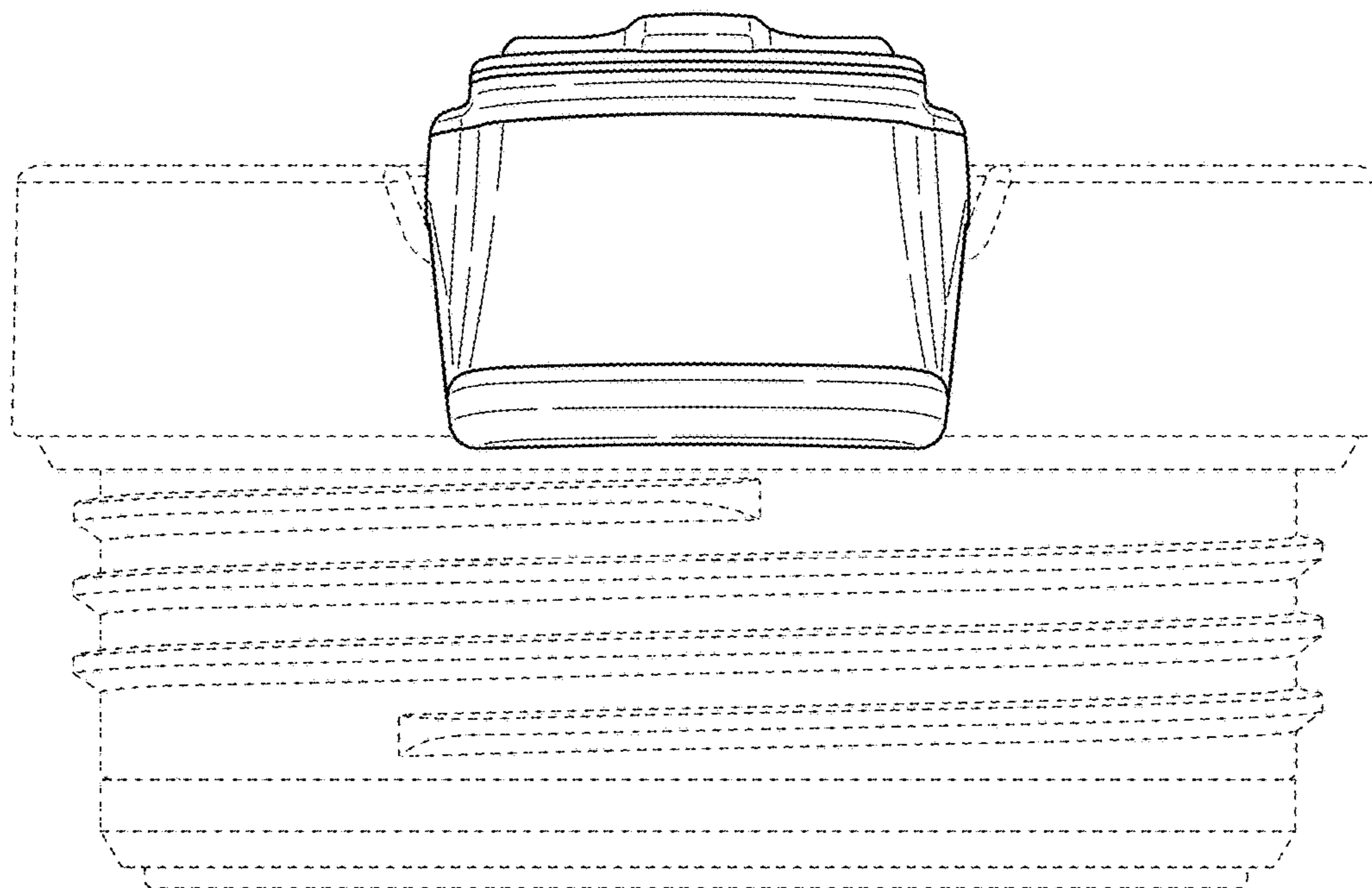


FIG. 9

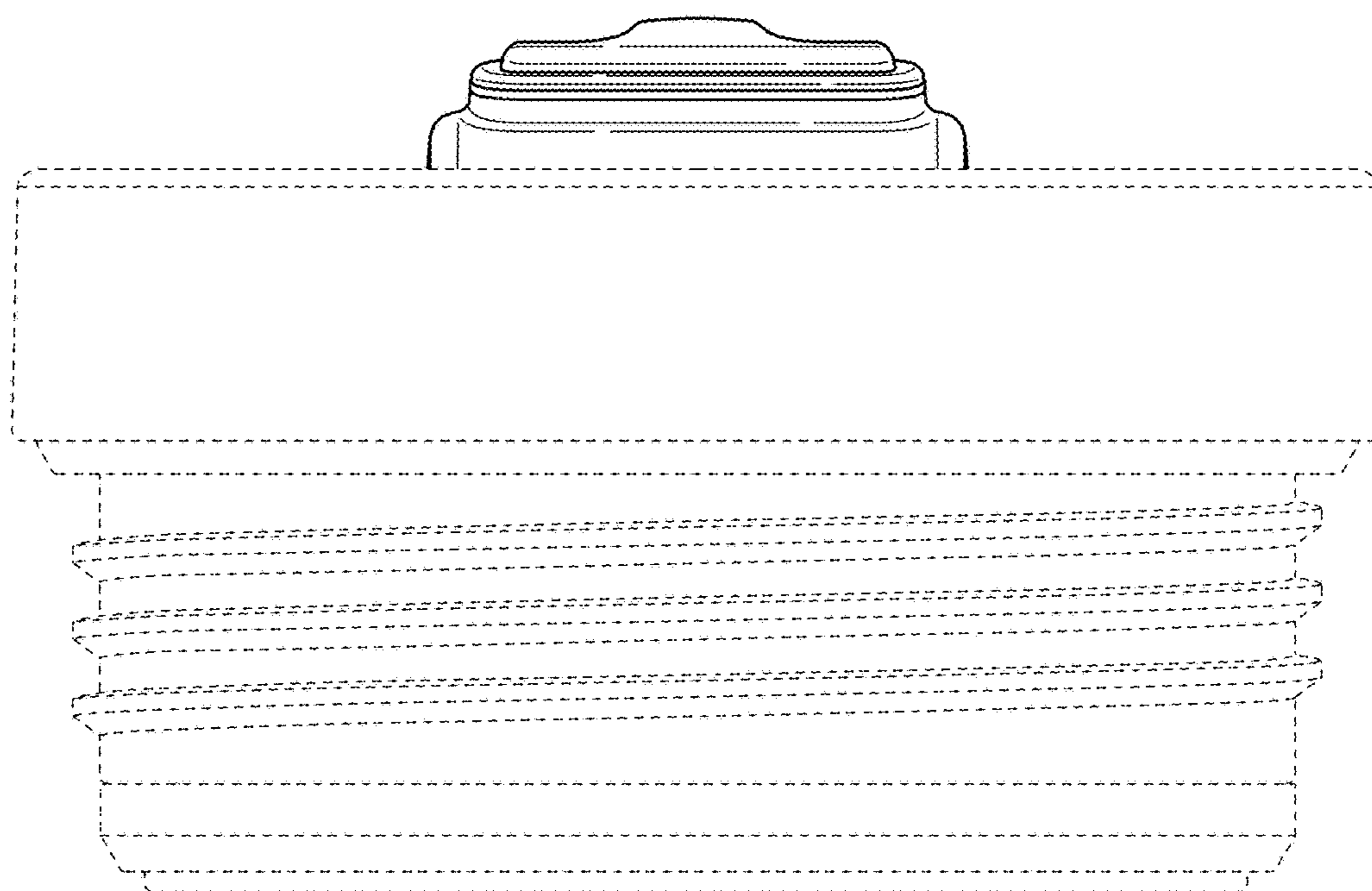


FIG. 10

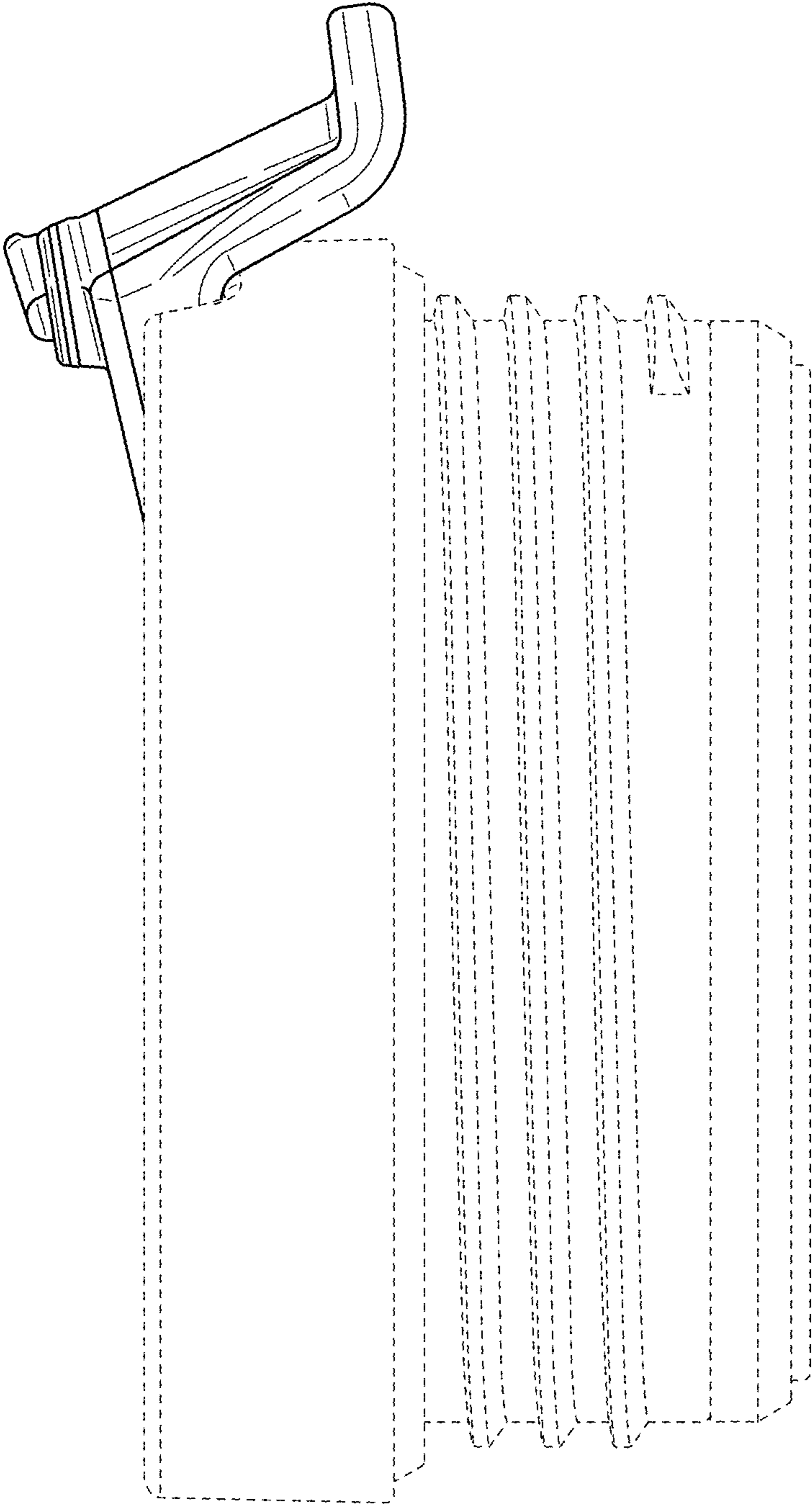


FIG. 11

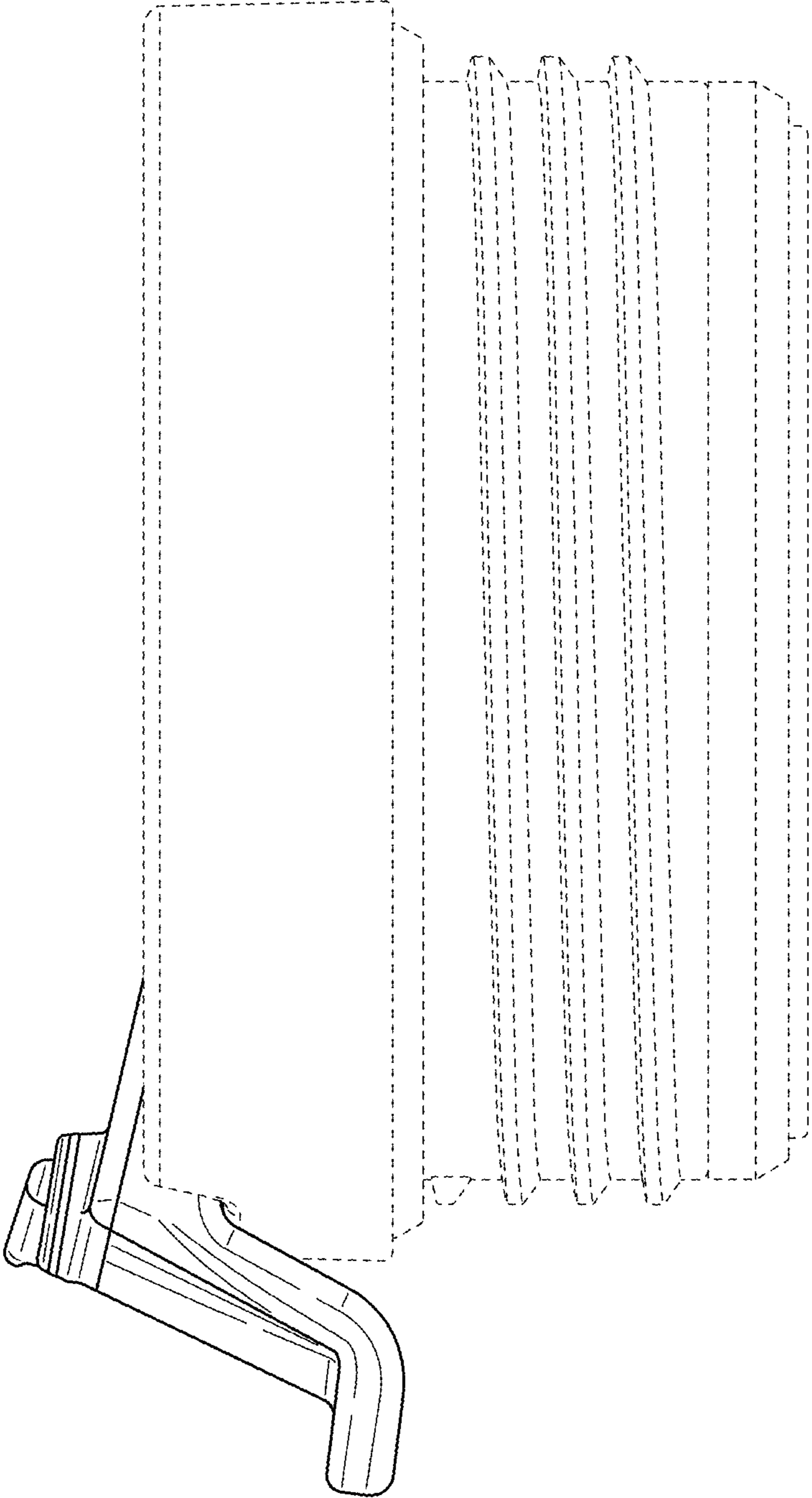


FIG. 12

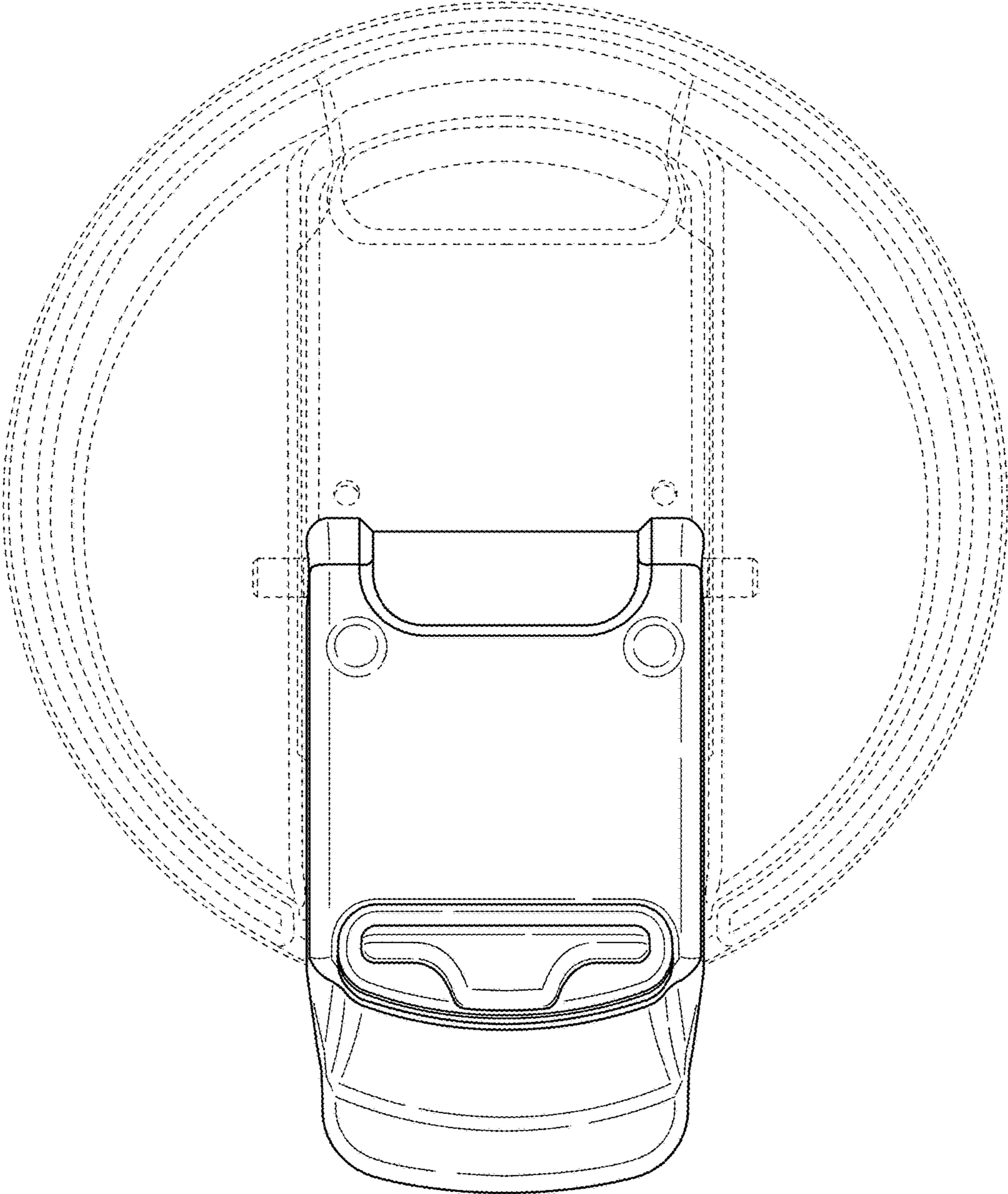


FIG. 13

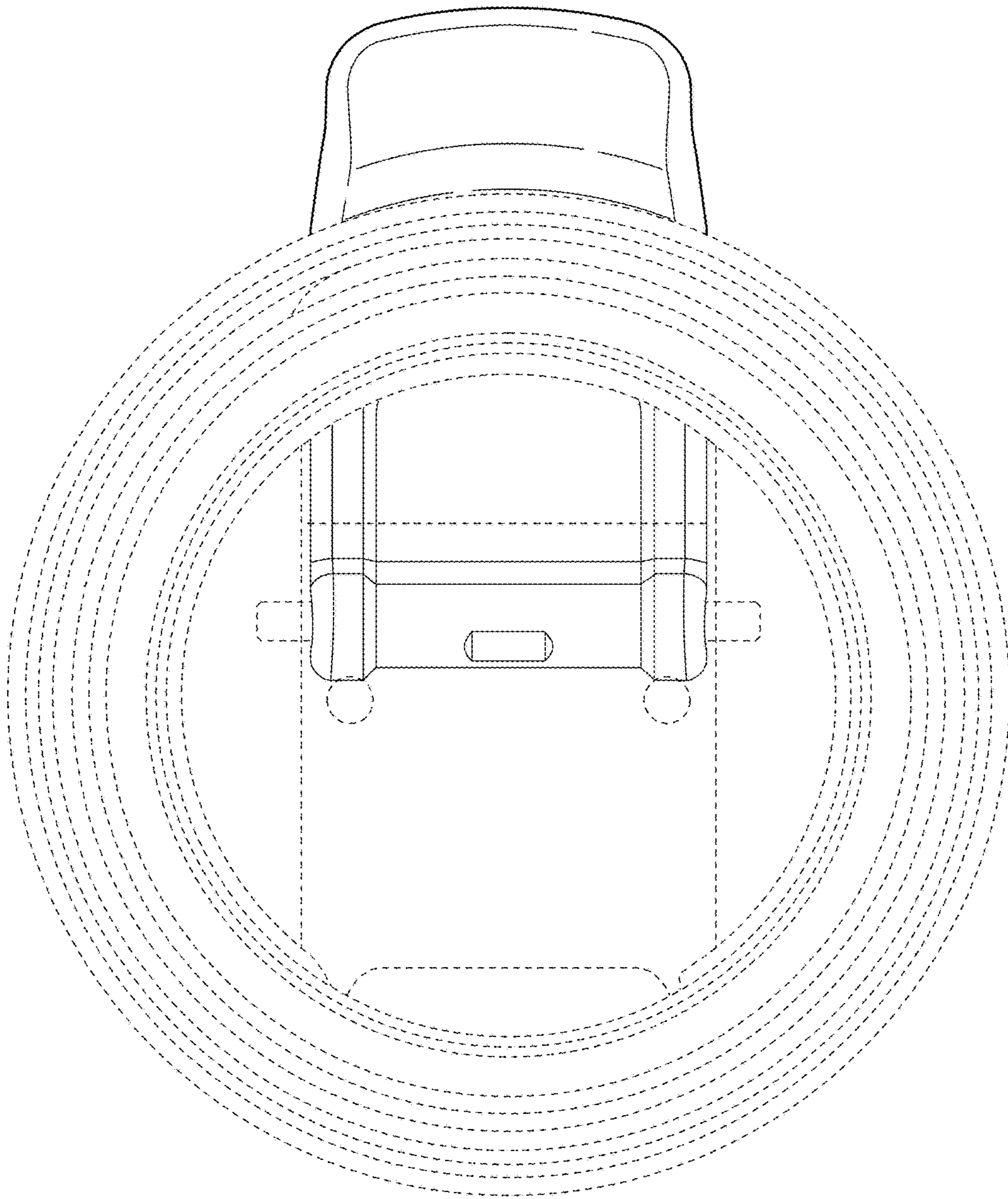


FIG. 14

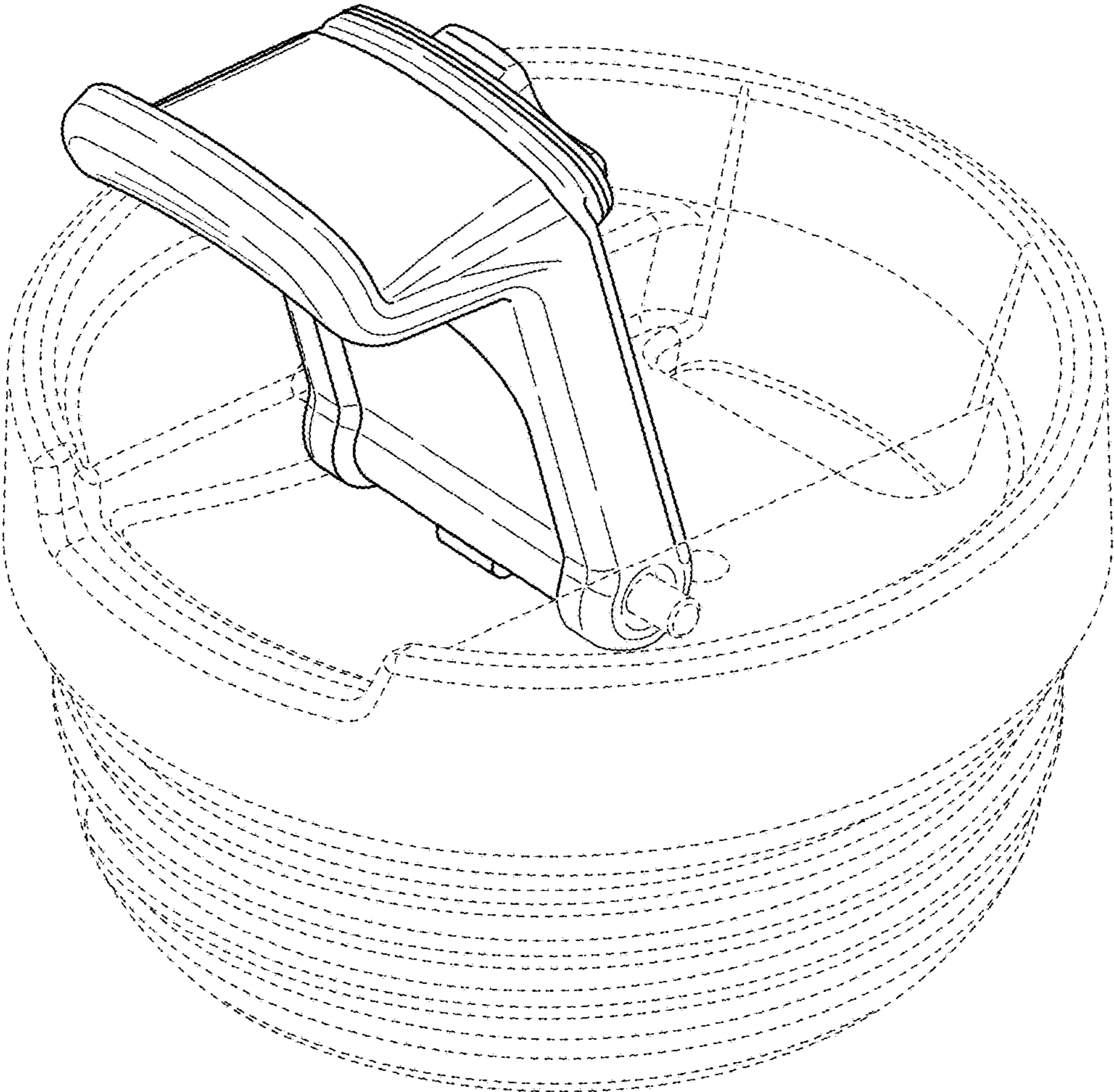


FIG. 15