



US00D803683S

(12) **United States Design Patent** (10) **Patent No.:** **US D803,683 S**
Coey et al. (45) **Date of Patent:** **** Nov. 28, 2017**

(54) **DRINKING CUP LID AND REMOVABLE HEADBAND COMBINATION**

B65D 2543/00296; B65D 5/46; B65D 2251/00

See application file for complete search history.

(71) Applicant: **Creative Consumer Concepts, Inc.**,
Overland Park, KS (US)

(56)

References Cited

U.S. PATENT DOCUMENTS

(72) Inventors: **Tyler Daniel Coey**, Kansas City, KS (US); **Douglas Matthew Kubert**, Lawrence, KS (US); **Robert Andrew Houston**, Raymore, MO (US); **Michael Bridge**, Kansas City, MO (US)

2,058,206	A	10/1936	Baskin	
D143,493	S	1/1946	Knudsen	
D180,942	S *	9/1957	Florida D2/869
3,038,633	A	6/1962	Foster	
D205,576	S	8/1966	Day	
D207,340	S *	4/1967	Quercia D9/448
D210,863	S *	4/1968	Strongin D2/869
D231,418	S *	4/1974	Weatherman D2/869
3,991,897	A	11/1976	Meyers	

(Continued)

(73) Assignee: **CREATIVE CONSUMER CONCEPTS, INC.**, Overland Park, KS (US)

Primary Examiner — Karen S Acker
Assistant Examiner — Wendy Arminio

(**) Term: **15 Years**

(74) *Attorney, Agent, or Firm* — Erickson Kernell IP, LLC

(21) Appl. No.: **29/575,257**

(57)

CLAIM

(22) Filed: **Aug. 23, 2016**

The ornamental design for a drinking cup lid and removable headband combination, as shown and described.

(51) **LOC (10) Cl.** **09-07**

DESCRIPTION

(52) **U.S. Cl.**

USPC **D9/436**; D28/41

(58) **Field of Classification Search**

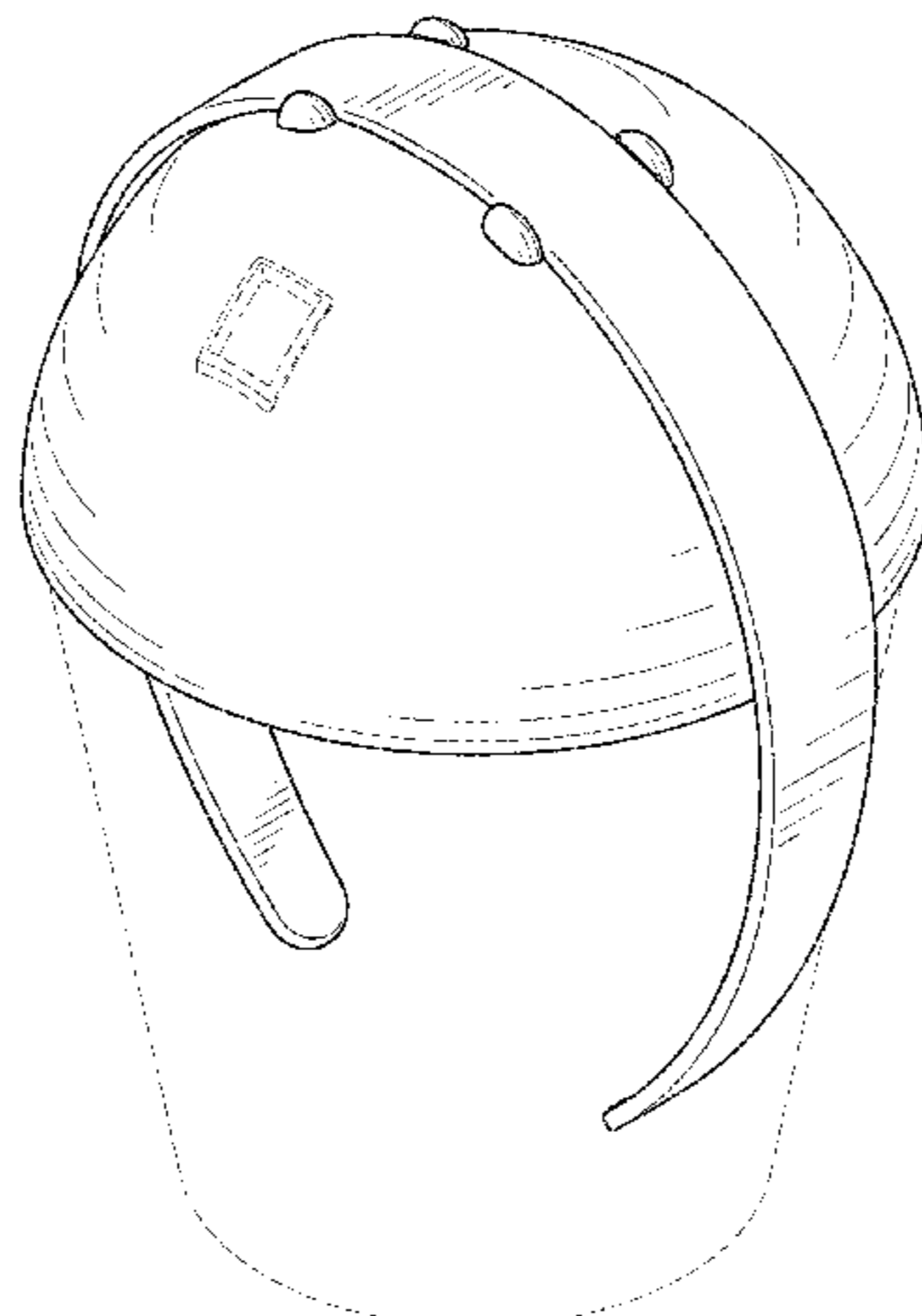
USPC D9/414, 417, 428, 432, 434, 435, D9/443-450, 452-456, 499, 682-685; D7/387, 392, 392.1, 393, 396.1-396.4, D7/398, 401.1, 507, 509-511, 538, 900; D3/202, 294, 318; D28/91.1, 41; D2/866, 869

CPC .. A61J 1/00; A61J 1/1412; B65D 1/00; B65D 1/02; B65D 1/10; B65D 1/46; B65D 2585/56; B65D 2585/545; B65D 41/00; B65D 41/38; B65D 41/56; B65D 41/62; B65D 47/00; B65D 47/06; B65D 47/08; B65D 2543/00046; B65D 2543/00092;

FIG. 1 is a perspective view of the drinking cup lid and removable headband combination in accordance with the present invention shown in a position of use on an unclaimed cup;
FIG. 2 is a front elevational view thereof
FIG. 3 is a rear elevational view thereof;
FIG. 4 is a top plan view thereof;
FIG. 5 is a right side view thereof, the left side view being a mirror image; and,
FIG. 6 is a bottom plan view thereof.

The broken lines depicting a cup in FIG. 1 illustrate environmental subject matter that forms no part of the claimed design. The circular broken line inside of the perimeter of the bottom plan view in FIG. 6 represents an inner boundary to the claim and forms no part thereof. All other broken lines

(Continued)



depict portions of the drinking cup lid and removable headband combination that form no part of the claimed design.

1 Claim, 6 Drawing Sheets

(56)

References Cited

U.S. PATENT DOCUMENTS

D335,384 S * 5/1993 Beitscher D2/741
 5,653,359 A 8/1997 Sondermann
 D417,845 S 12/1999 Sadlier et al.
 D449,986 S 11/2001 Schaefer
 D465,883 S 11/2002 Moher
 6,513,167 B1 * 2/2003 Cheng A45D 8/36
 2/171
 D500,139 S * 12/2004 Bender D24/197
 D515,867 S * 2/2006 Randolph D7/392.1

D523,333 S * 6/2006 Moretti D9/444
 D534,076 S * 12/2006 Green A45D 40/0068
 D9/435
 D610,458 S * 2/2010 Martin D9/414
 7,905,037 B1 3/2011 Holland et al.
 D671,263 S * 11/2012 Weigl, Jr. D28/41
 8,360,077 B2 1/2013 Defenbaugh et al.
 D713,722 S * 9/2014 Miller D9/436
 D717,170 S * 11/2014 Tan D1/116
 D722,189 S * 2/2015 Weigl, Jr. D26/39
 D747,920 S * 1/2016 Hakim D7/396.2
 2005/0098567 A1 * 5/2005 Randolph A47G 19/2272
 220/710.5
 2009/0145454 A1 6/2009 Saponaro et al.
 2012/0247495 A1 * 10/2012 Montgomery A41G 5/0093
 132/54
 2014/0030390 A1 * 1/2014 Coyle B65D 43/02
 426/108
 2016/0007710 A1 * 1/2016 Sze A45D 8/36
 132/273
 2017/0095098 A1 * 4/2017 Uitbeijerse A47G 19/2272

* cited by examiner

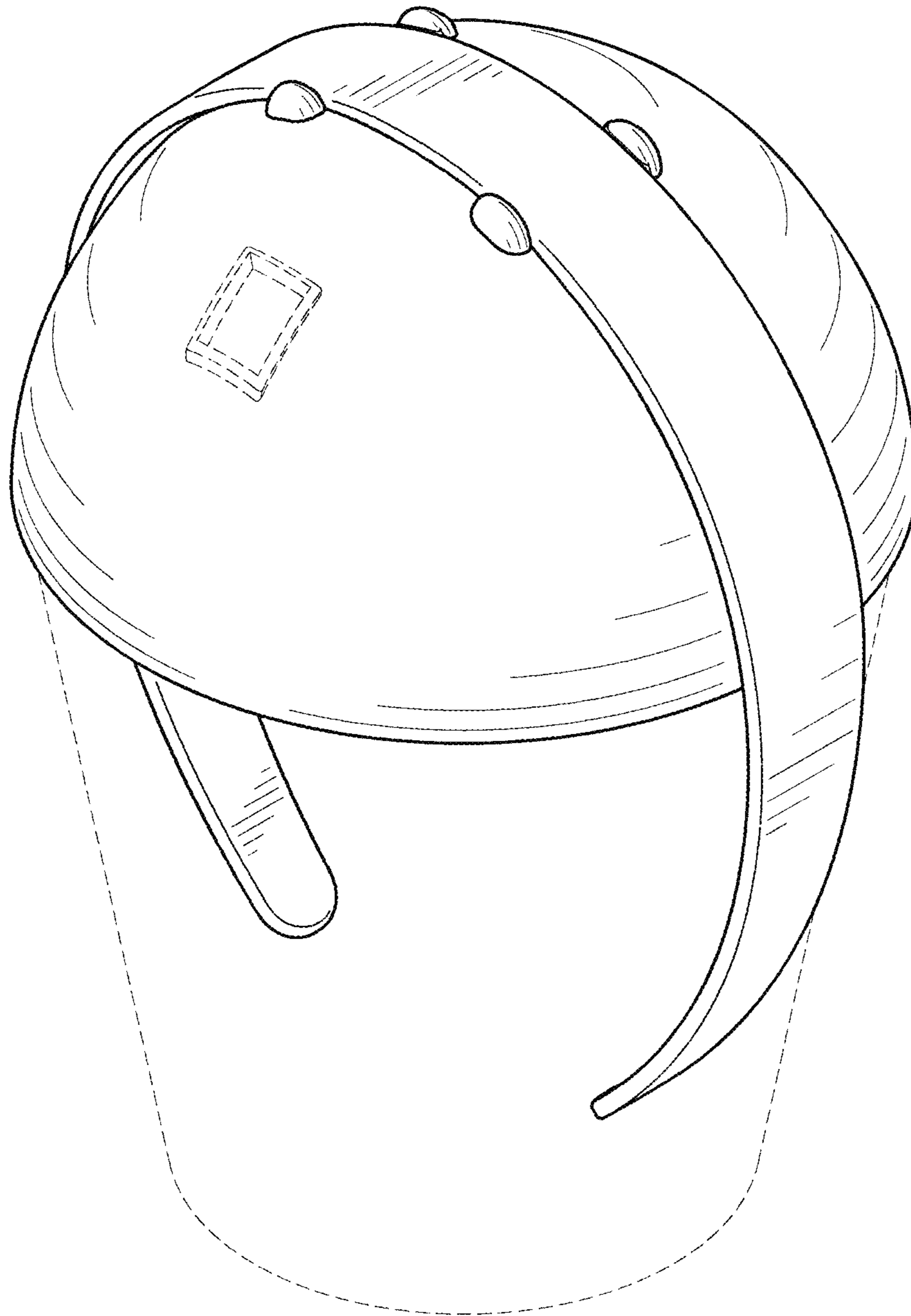


Fig. 1

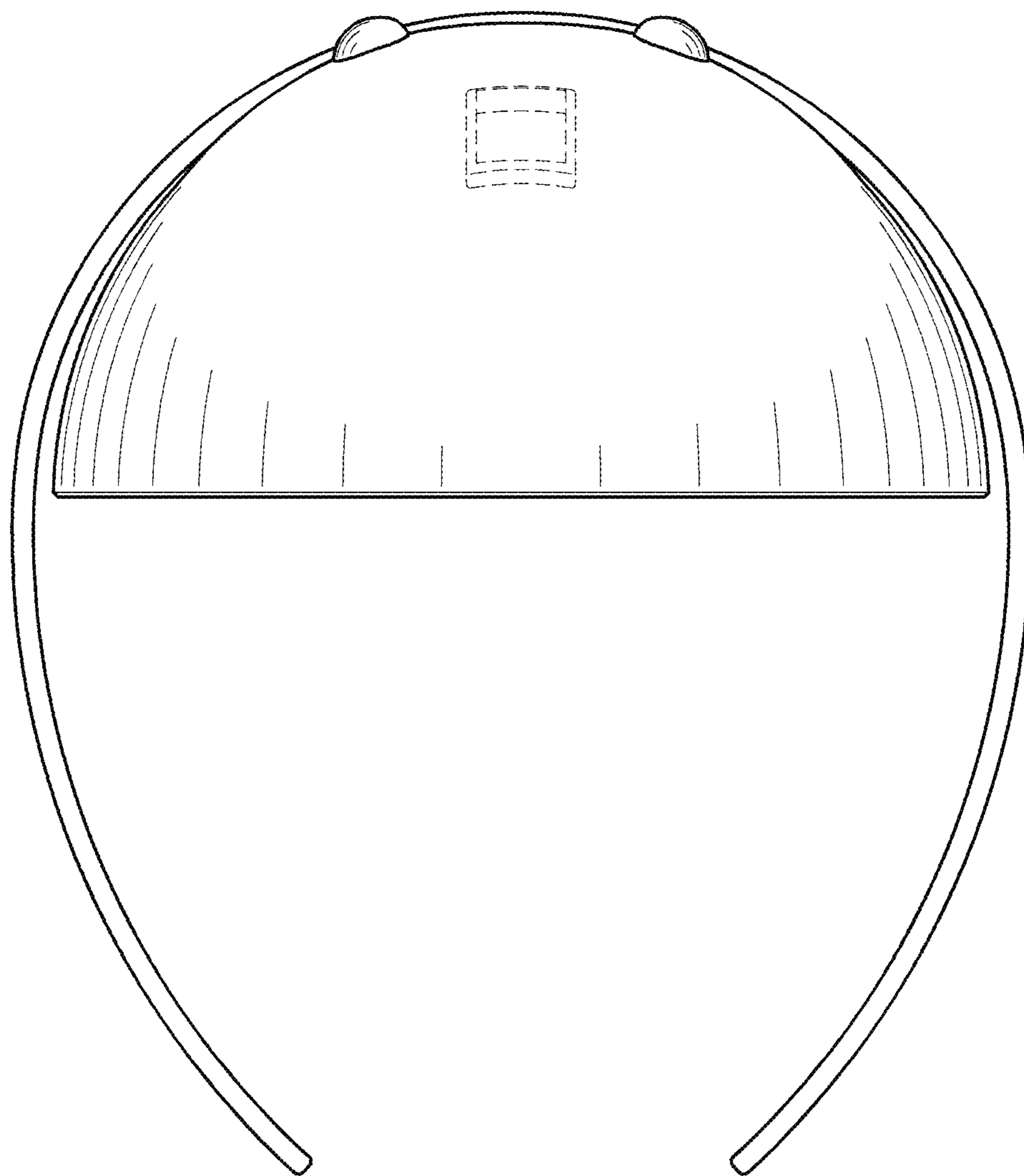


Fig. 2

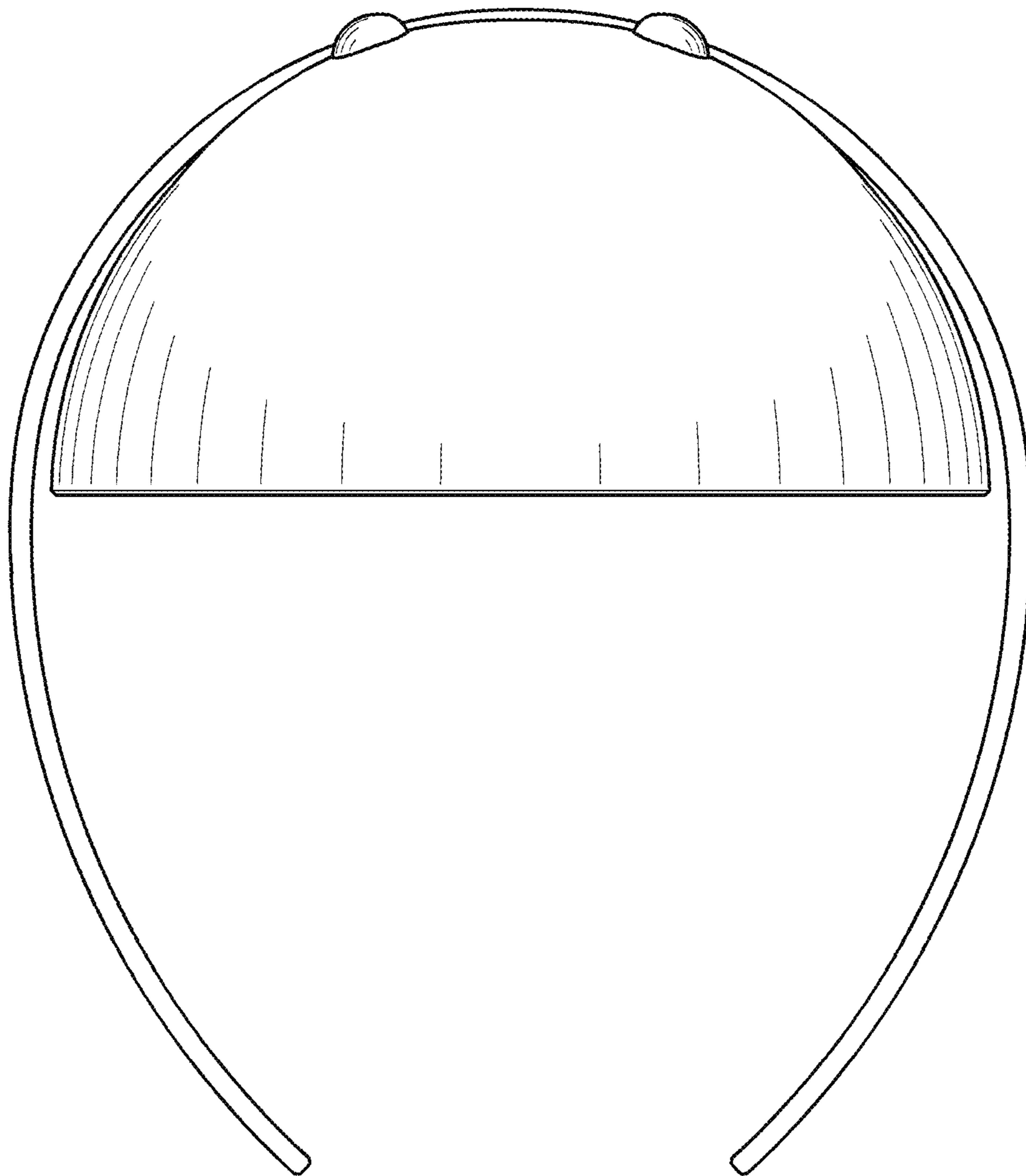


Fig. 3

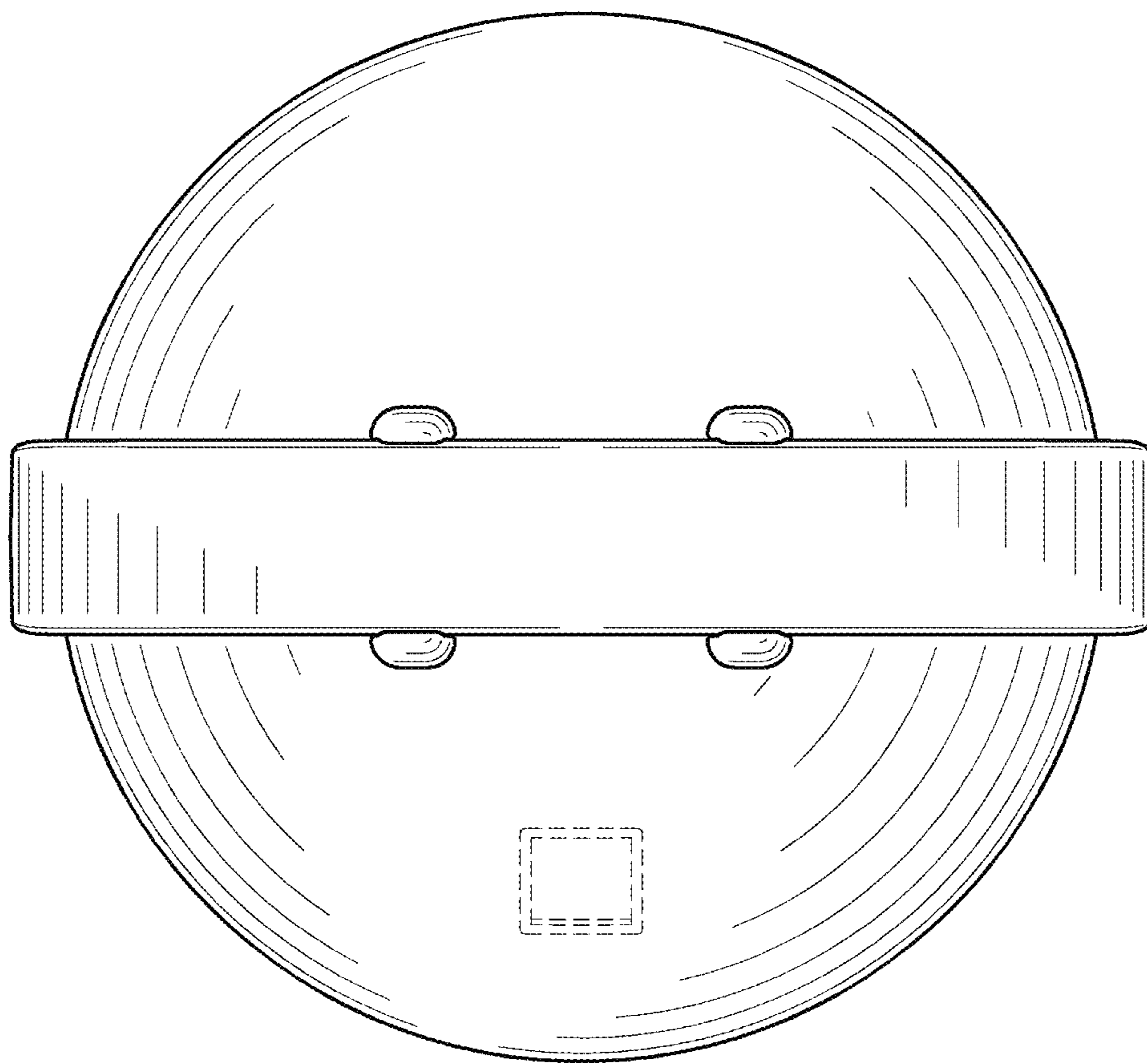


Fig. 4

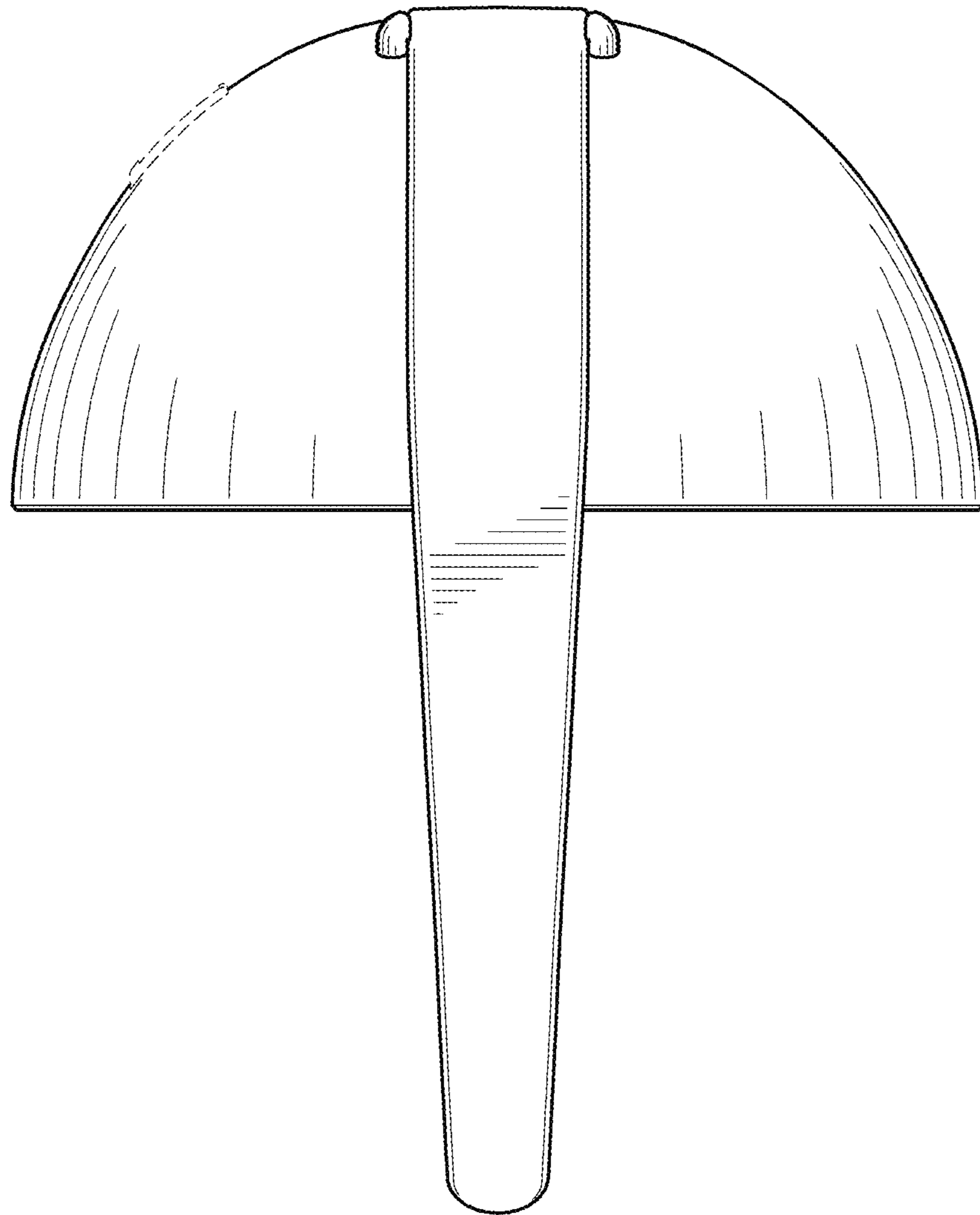


Fig. 5

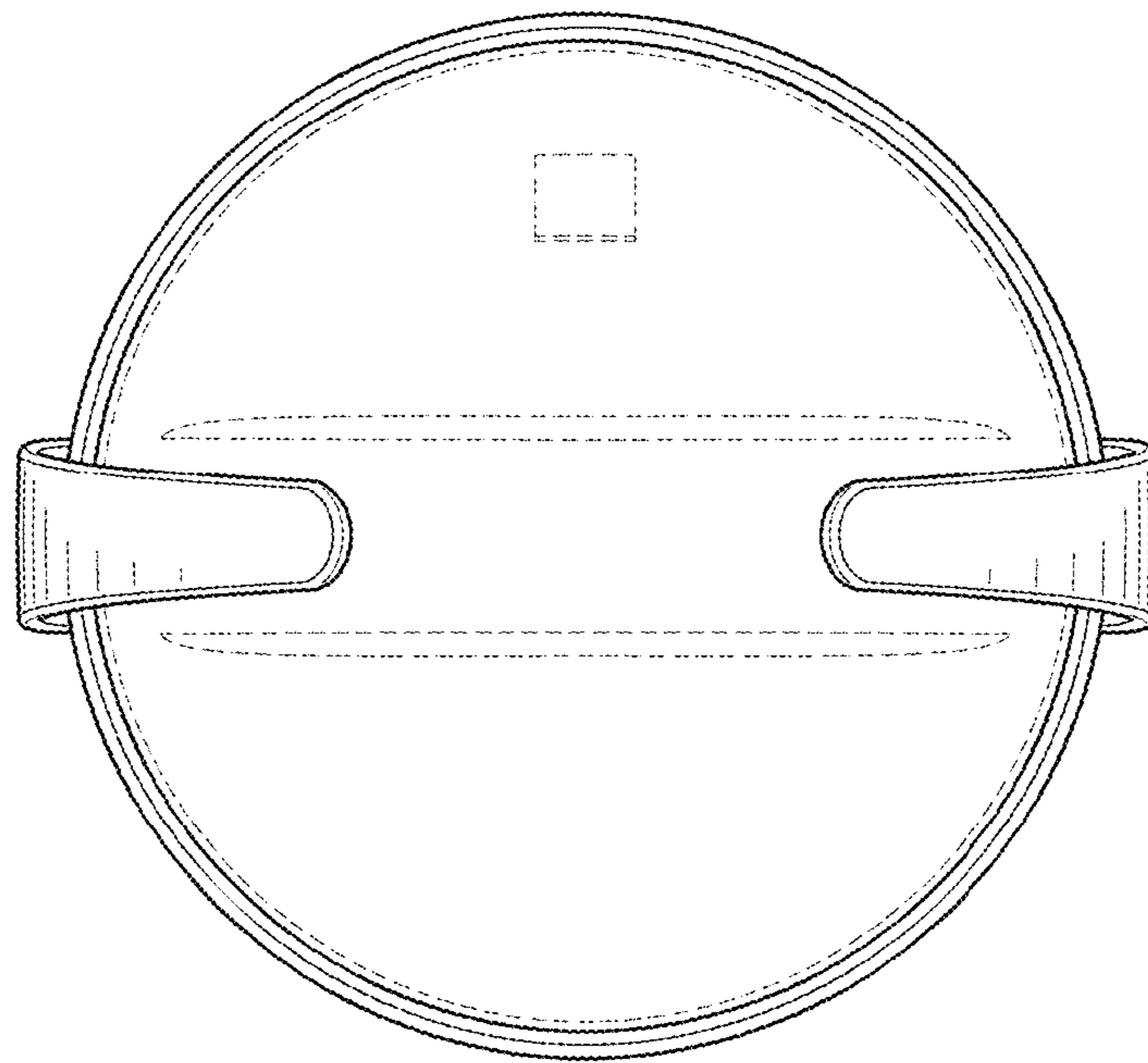


Fig. 6