



US00D803680S

(12) **United States Design Patent** (10) **Patent No.:** **US D803,680 S**
Morris (45) **Date of Patent:** **** Nov. 28, 2017**

(54) **PACKAGING FOR FOODSTUFFS**
(71) Applicant: **COLPAC LIMITED**, Flitwick,
Bedfordshire (GB)
(72) Inventor: **Andrew Morris**, Bedford (GB)
(73) Assignee: **COLPAC LIMITED**, Flitwick (GB)
(**) Term: **15 Years**

D581,203 S * 11/2008 Simon D7/354
D588,396 S * 3/2009 Millsap D7/354
D596,902 S * 7/2009 Hrovat D7/550.1
D640,895 S * 7/2011 Tosdale D7/354
D643,713 S * 8/2011 Lawrence D9/430
D690,552 S * 10/2013 Hundley D7/354
D694,571 S * 12/2013 Norland D7/354
D706,073 S * 6/2014 Beauregard D7/354
D729,403 S * 5/2015 Hage D24/227
(Continued)

(21) Appl. No.: **29/548,322**
(22) Filed: **Dec. 11, 2015**

OTHER PUBLICATIONS

Keep packaging simple. [online] Published date Nov. 16, 2015.
Retrieved on Jan. 31, 2017 from <URL: <http://innovate.bunzl catering.co.uk/keep-packaging-simple-with-combione-innovative-fused-hinge-containers-from-colpac/>>.*

(30) **Foreign Application Priority Data**

Jun. 12, 2015 (EM) 002718429
(51) **LOC (10) Cl.** **09-03**
(52) **U.S. Cl.**
USPC **D9/431**
(58) **Field of Classification Search**
USPC D9/414-434, 442-445, 456, 457, 542,
D9/563, 600, 614-624, 655, 657, 658,
D9/661, 685, 695, 697-699, 707, 708,
D9/711, 754, 759, 772-776; D3/273,
D3/276, 304, 305, 307, 309-313;
D7/601, 602, 709
CPC B65D 5/00; B65D 5/001; B65D 5/0015;
B65D 5/0227-5/0254; B65D 5/18; B65D
5/6605; B65D 5/48024; B65B 5/06
See application file for complete search history.

Primary Examiner — Vy Koenig
Assistant Examiner — Omeed Agilee
(74) *Attorney, Agent, or Firm* — Smith IP Services, P.C.

(56) **References Cited**

U.S. PATENT DOCUMENTS

3,825,169 A * 7/1974 Meyers B65D 5/2047
229/171
D251,479 S * 4/1979 Cherry D3/314
D272,198 S * 1/1984 Webb D30/161
D474,064 S * 5/2003 Dover D7/354
D509,995 S * 9/2005 Laib D7/602
D551,453 S * 9/2007 Snell D3/304

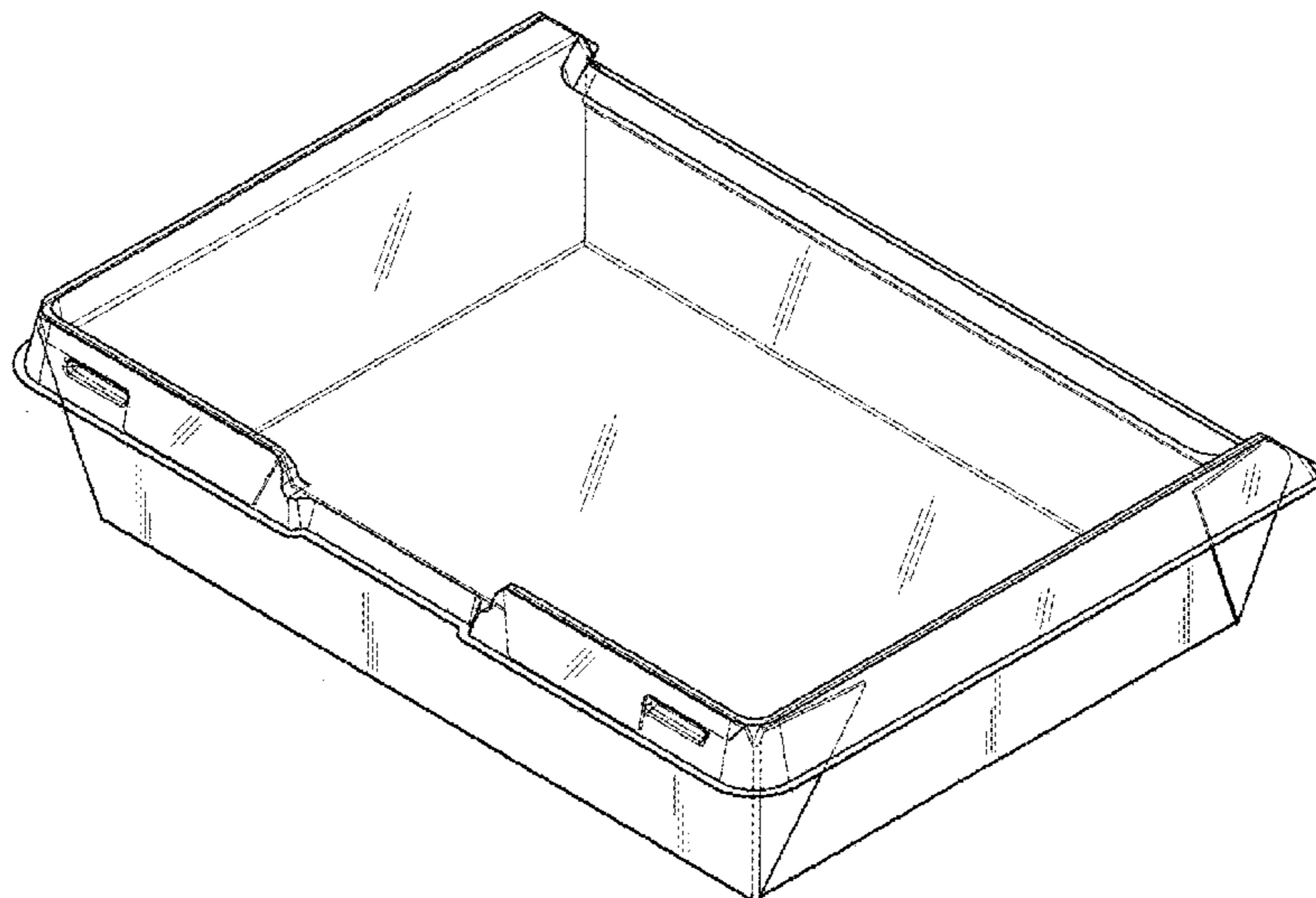
(57) **CLAIM**

The ornamental design for a packaging for foodstuffs, as shown.

DESCRIPTION

FIG. 1 shows a front, right, and top perspective view of a new design for packaging for foodstuffs.
FIG. 2 shows a front elevational view of the packaging for foodstuffs.
FIG. 3 shows a rear elevational view of the packaging for foodstuffs.
FIG. 4 shows right side elevational view of the packaging for foodstuffs.
FIG. 5 shows left side elevational view of the packaging for foodstuffs.
FIG. 6 shows a top view of the packaging for foodstuffs; and,
FIG. 7 shows a bottom view of the packaging for foodstuffs.

1 Claim, 7 Drawing Sheets



(56)

References Cited

U.S. PATENT DOCUMENTS

D737,680 S * 9/2015 Breton D9/456
D775,466 S * 1/2017 Wang D3/304

* cited by examiner

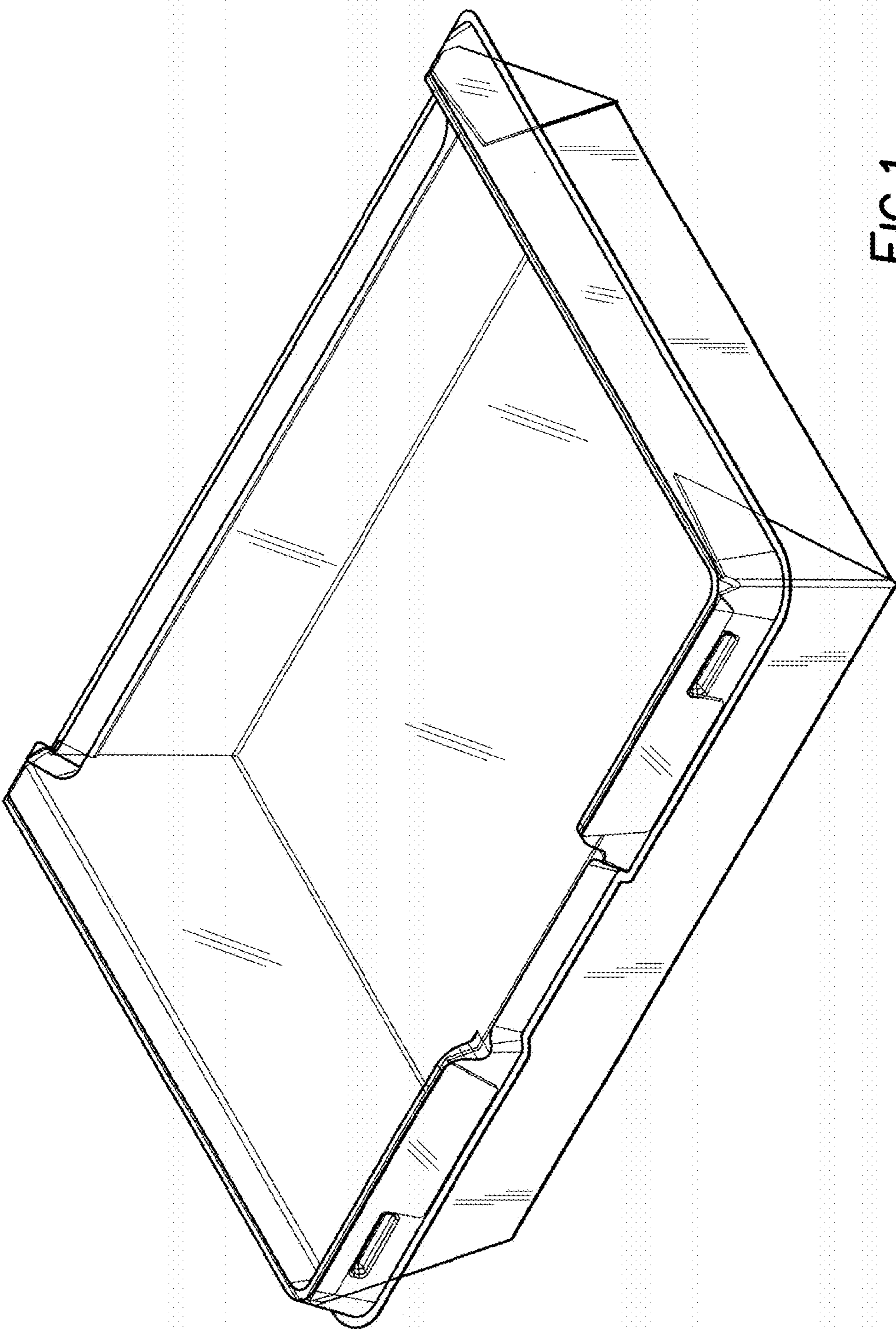


FIG. 1

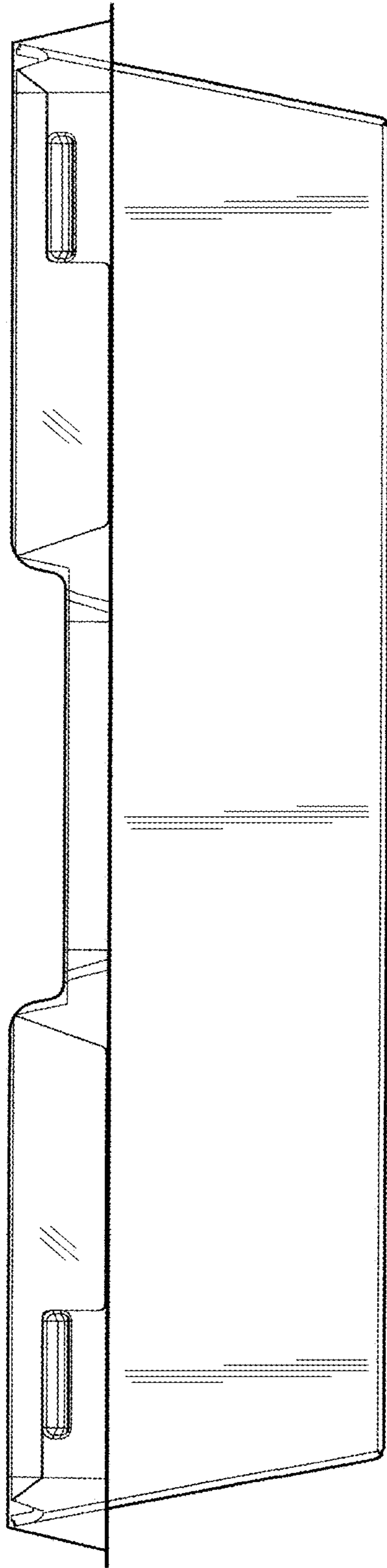


FIG.2

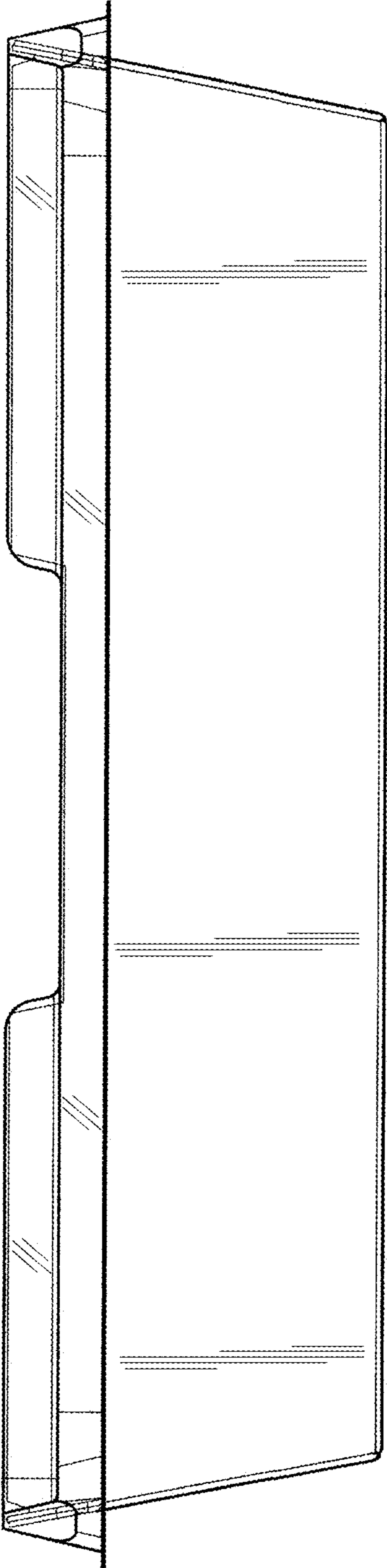


FIG.3

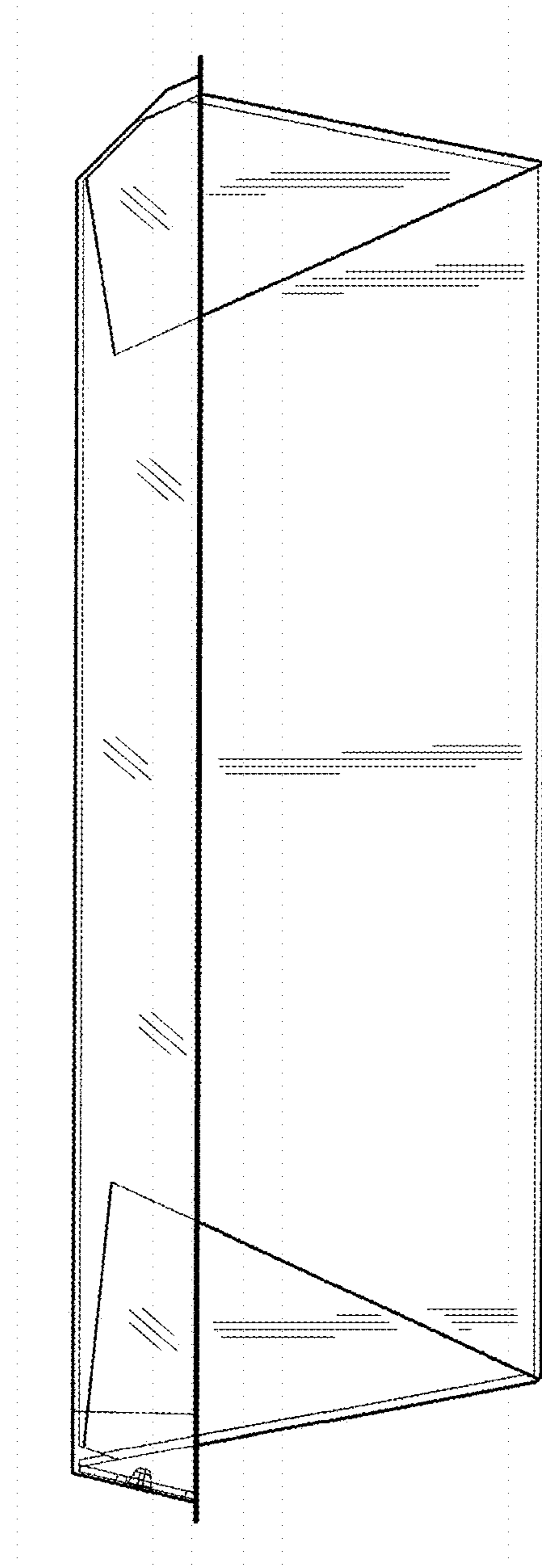


FIG.4

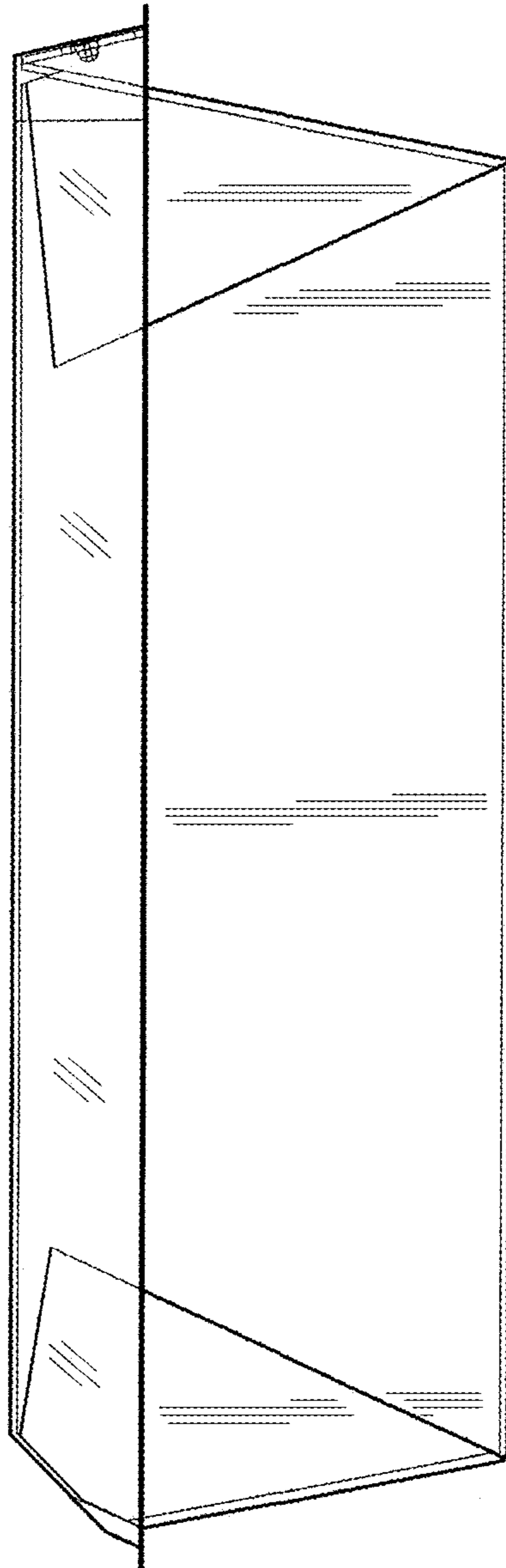


FIG. 5

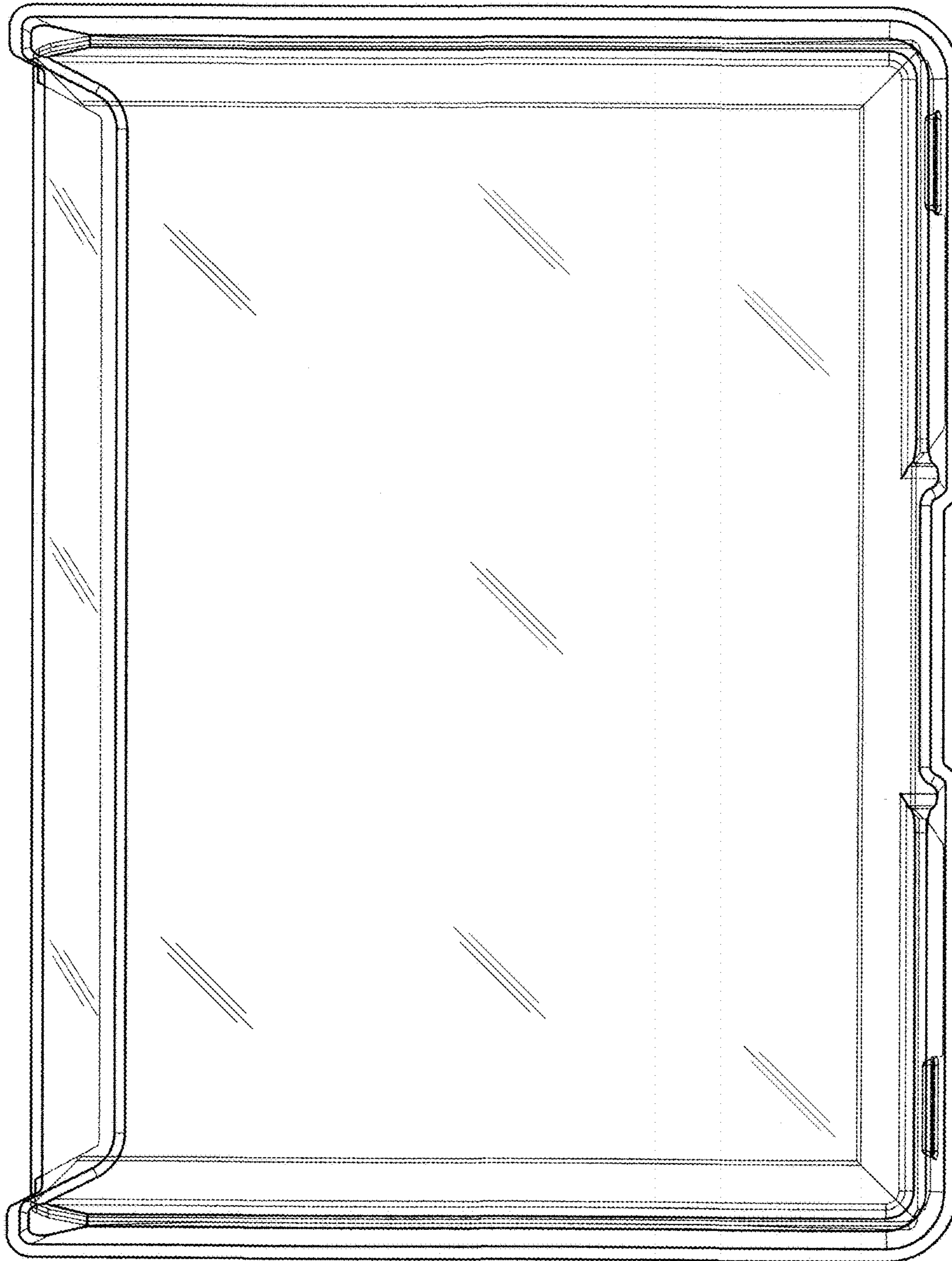


FIG.6

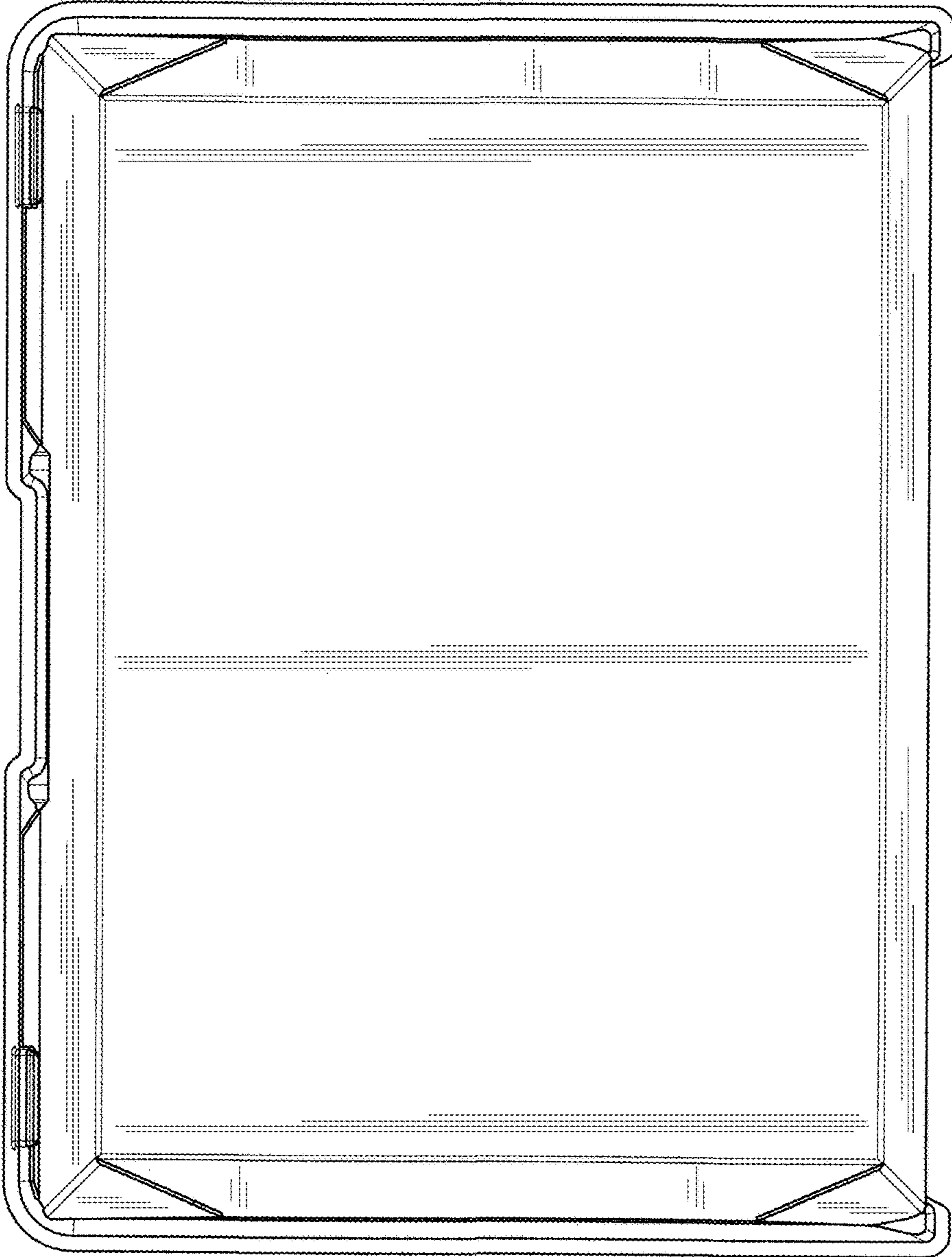


FIG. 7