



US00D803679S

(12) **United States Design Patent**  
**Chen et al.**

(10) **Patent No.:** **US D803,679 S**

(45) **Date of Patent:** **\*\* Nov. 28, 2017**

(54) **PACKING CASE FOR LOCK DEVICES**

4,124,161 A \* 11/1978 Meyers ..... B65D 5/0227  
229/135

(71) Applicant: **TAIWAN FU HSING INDUSTRIAL CO., LTD.**, Kaohsiung (TW)

D251,360 S \* 3/1979 Collin ..... D9/432  
4,251,978 A \* 2/1981 Beck ..... B65D 5/0227  
53/372.4

(72) Inventors: **Shu-Hui Chen**, Kaohsiung (TW);  
**Wan-Lin Hsieh**, Kaohsiung (TW)

(Continued)

(73) Assignee: **TAIWAN FU HSING INDUSTRIAL CO., LTD.**, Kaohsiung (TW)

JP D1413795 S 5/2011  
JP D1456766 S 12/2012

(\*\*) Term: **15 Years**

(Continued)

(21) Appl. No.: **29/558,206**

*Primary Examiner* — Vy N Koenig  
*Assistant Examiner* — Omeed Agilee

(22) Filed: **Mar. 16, 2016**

(74) *Attorney, Agent, or Firm* — CKC & Partners Co., Ltd.

(30) **Foreign Application Priority Data**

FOREIGN PATENT DOCUMENTS

Oct. 20, 2015 (TW) ..... 104305860

(51) **LOC (10) Cl.** ..... **09-03**

(52) **U.S. Cl.**  
USPC ..... **D9/430**

(58) **Field of Classification Search**  
USPC ..... D9/414–434, 442–445, 456, 457, 542,  
D9/563, 600, 614–624, 655, 657, 658,  
D9/661, 695, 697–699, 707, 708, 711,  
D9/759, 772–776; D3/273, 276, 304,  
D3/310–313; D7/601, 602  
CPC ..... B65D 5/00; B65D 5/001; B65D 5/0015;  
B65D 5/1209; B65D 5/0227–5/0254;  
B65D 5/18  
See application file for complete search history.

(57) **CLAIM**

The ornamental design for a packing case for lock devices, as shown and described.

**DESCRIPTION**

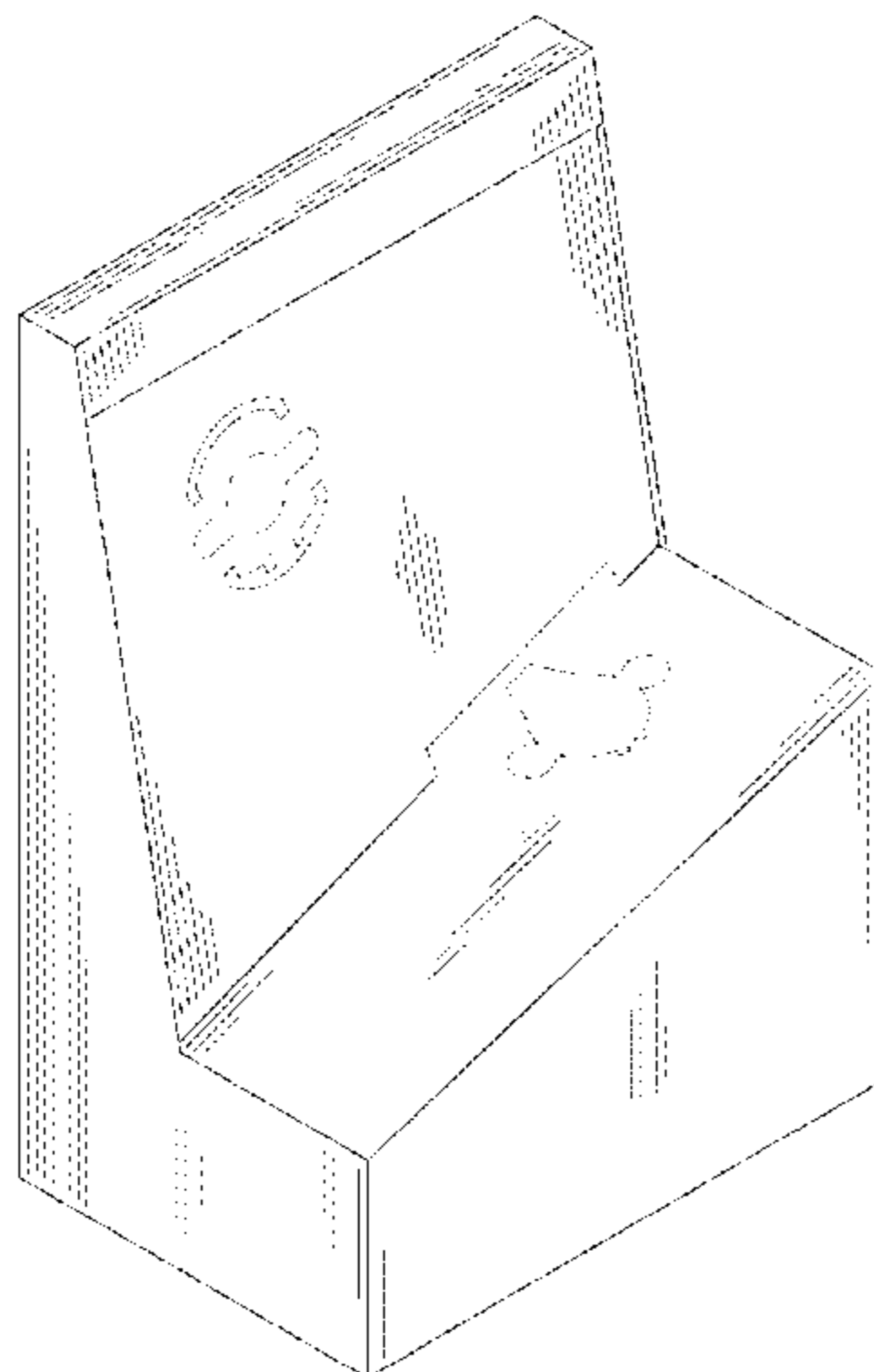
FIG. 1 is a front and left perspective view of a packing case for lock devices;  
FIG. 2 is a front and right perspective view thereof;  
FIG. 3 is a front view thereof;  
FIG. 4 is a rear view thereof;  
FIG. 5 is a left side view thereof;  
FIG. 6 is a right side view thereof;  
FIG. 7 is a top view thereof;  
FIG. 8 is a bottom view thereof; and,  
FIG. 9 is a front and left perspective view thereof, showing unclaimed lock devices disposed thereon for reference. The broken lines in the drawings depict portions of the packing case for lock devices that form no part of the claimed design. The broken lines shown in FIG. 9 depict environmental subject matter and form no part of the claimed design.

(56) **References Cited**

U.S. PATENT DOCUMENTS

2,344,182 A \* 3/1944 Taylor ..... A47F 5/112  
206/320  
2,844,295 A \* 7/1958 Williams ..... B65D 5/0095  
206/326  
3,270,867 A \* 9/1966 Hennessey ..... B65D 5/5009  
206/277

**1 Claim, 8 Drawing Sheets**



(56)

References Cited

U.S. PATENT DOCUMENTS

4,258,842 A \* 3/1981 Falkstein ..... B65D 5/0254  
206/299  
D260,586 S \* 9/1981 Nusz ..... D6/555  
D272,805 S 2/1984 Johnsen  
D278,596 S \* 4/1985 Ceraulo ..... D9/415  
D286,507 S \* 11/1986 Drago ..... D6/535  
D369,102 S \* 4/1996 Pare ..... D9/415  
D379,903 S \* 6/1997 Durham ..... D7/601  
D440,488 S \* 4/2001 Thompson ..... D9/415  
D451,801 S 12/2001 Schillinger  
D477,914 S \* 8/2003 Chandaria ..... D3/304  
D571,198 S \* 6/2008 Lee ..... D9/432  
D575,149 S \* 8/2008 Baranowski ..... D9/432  
D649,192 S \* 11/2011 Beukema ..... D19/75  
D666,903 S 9/2012 McIntosh et al.  
D691,884 S \* 10/2013 Kwon ..... D9/415  
D742,215 S \* 11/2015 Deshpande ..... D9/415  
2016/0207680 A1 \* 7/2016 Streich ..... B65D 73/005

FOREIGN PATENT DOCUMENTS

TW D087630 5/1987  
TW D118057 7/2007

\* cited by examiner

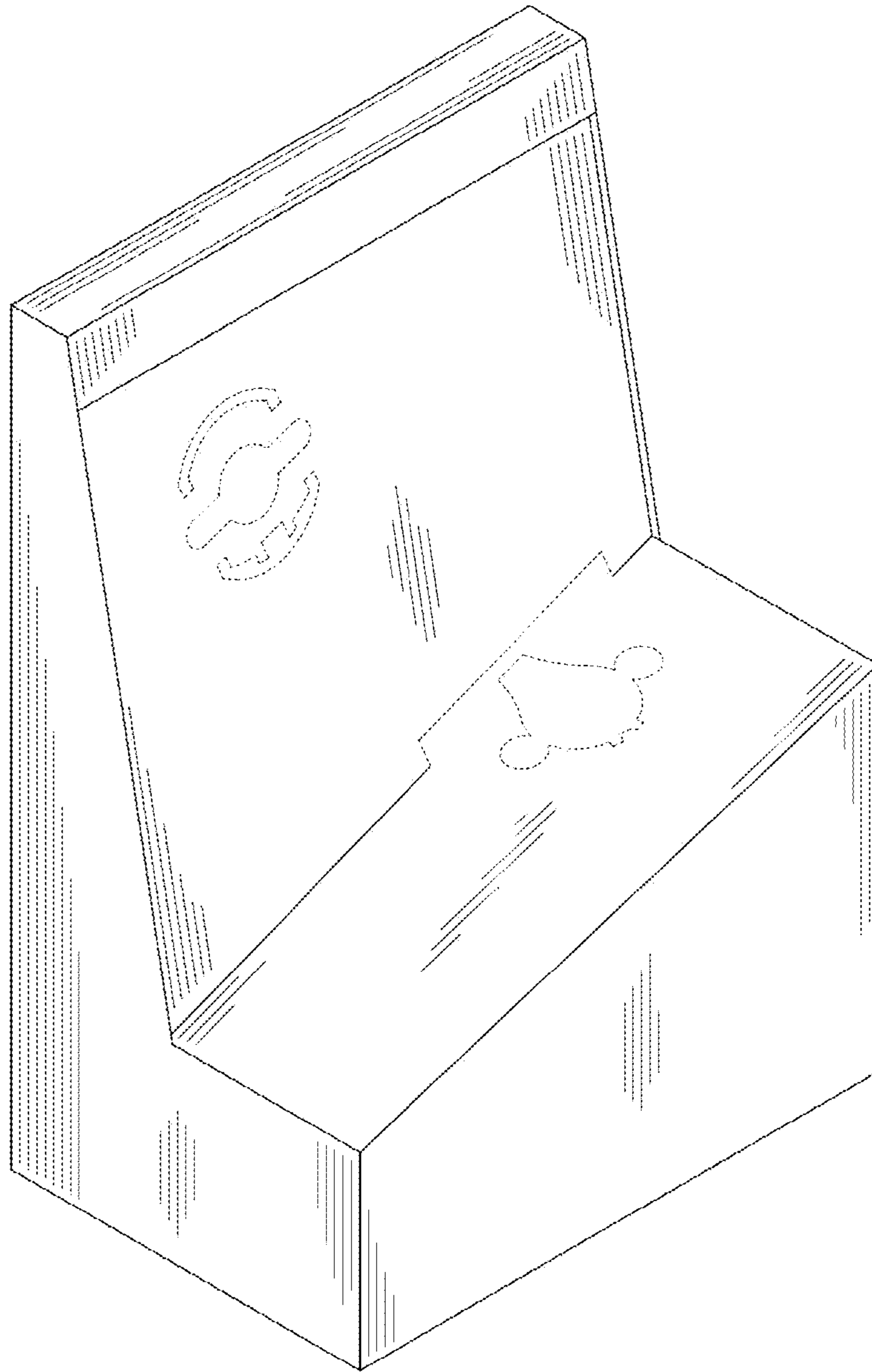


Fig. 1

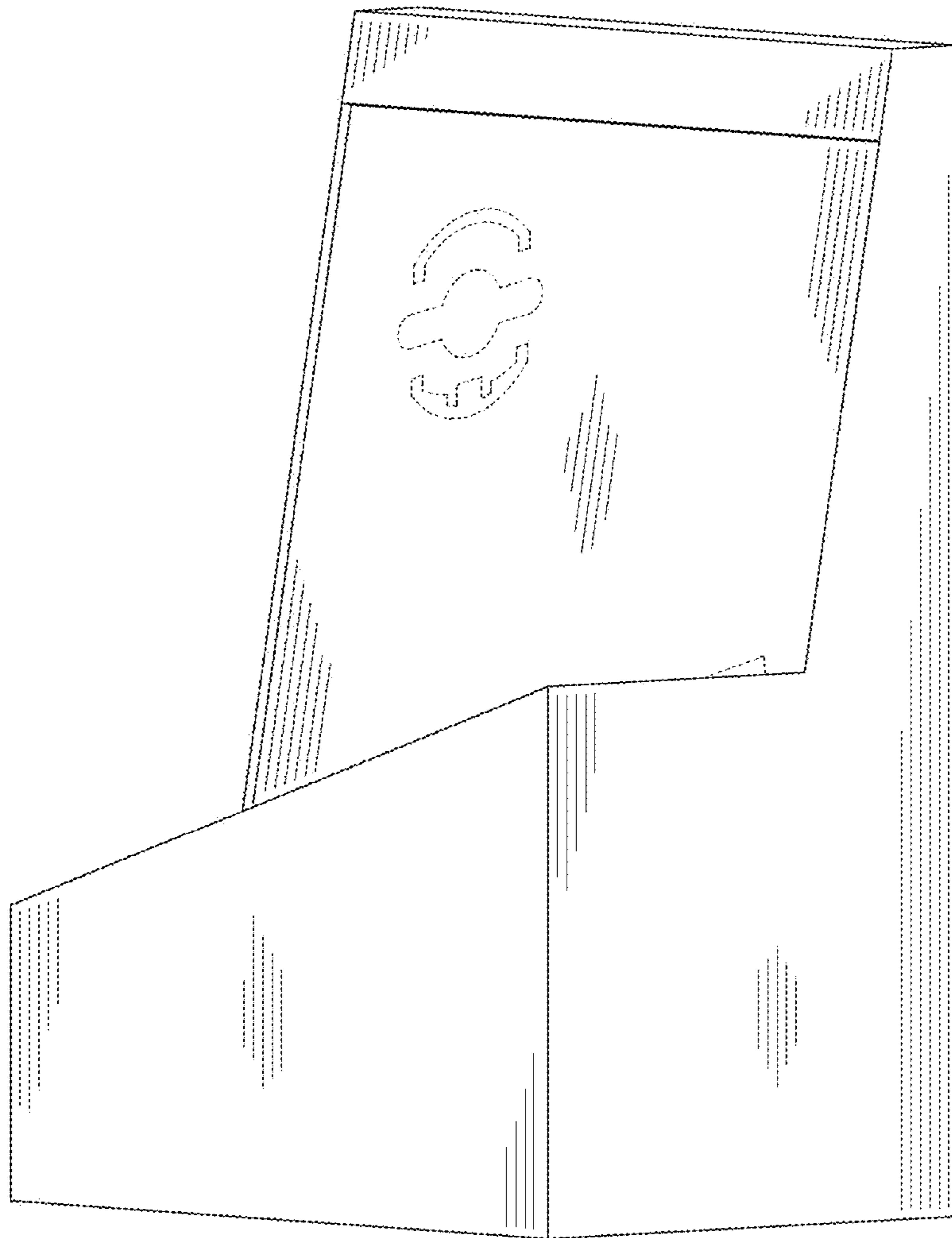


Fig. 2

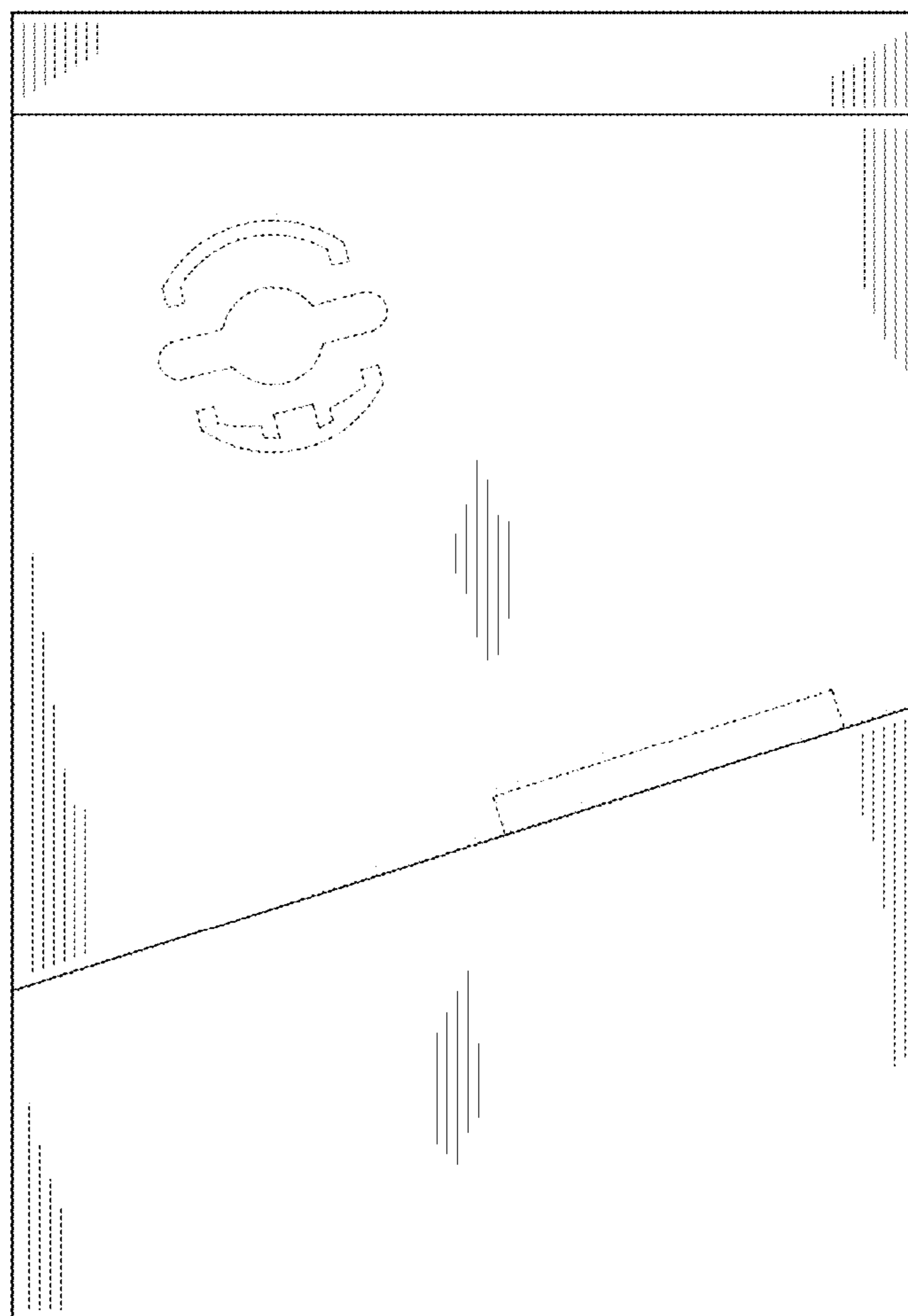


Fig. 3

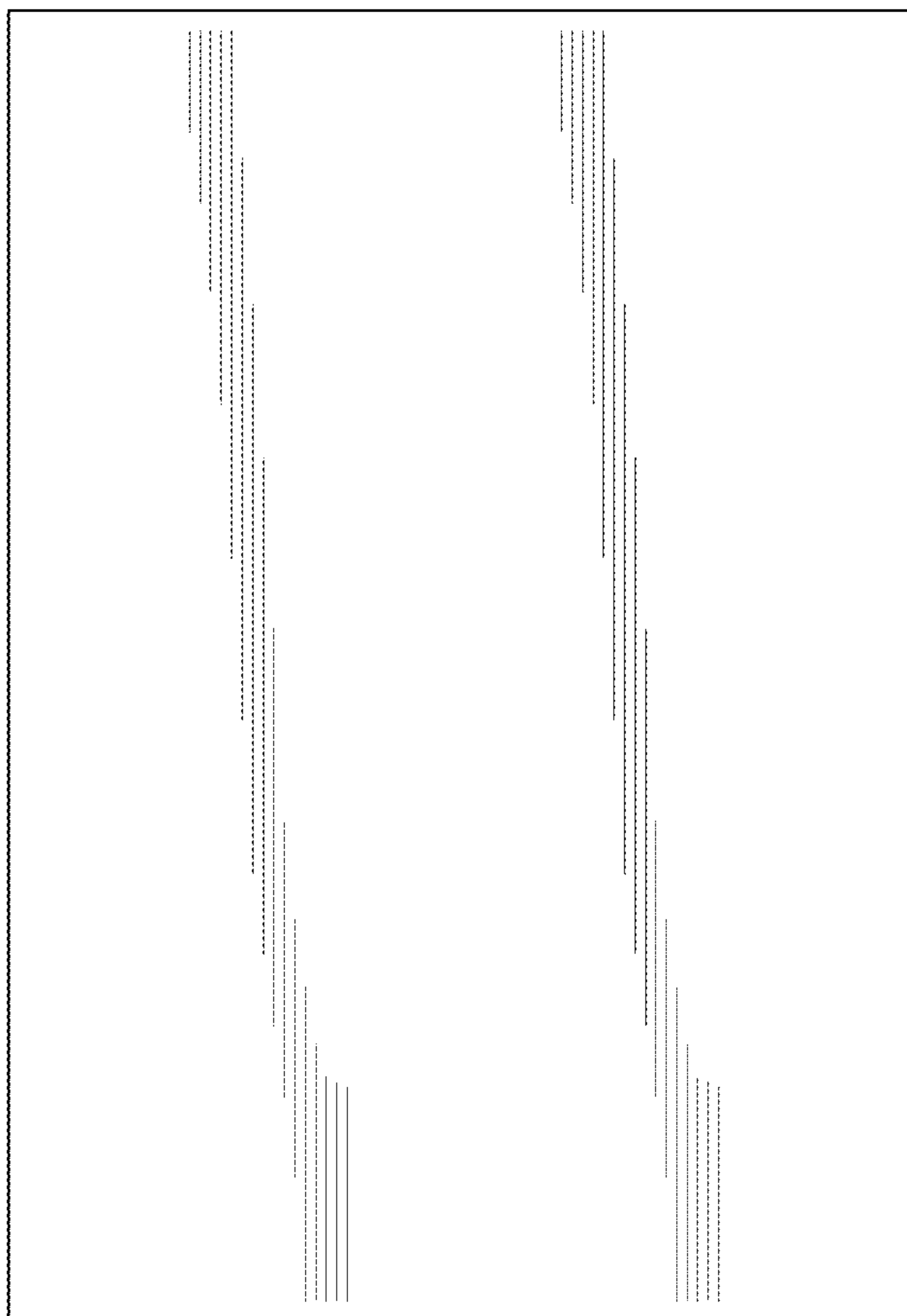


Fig. 4

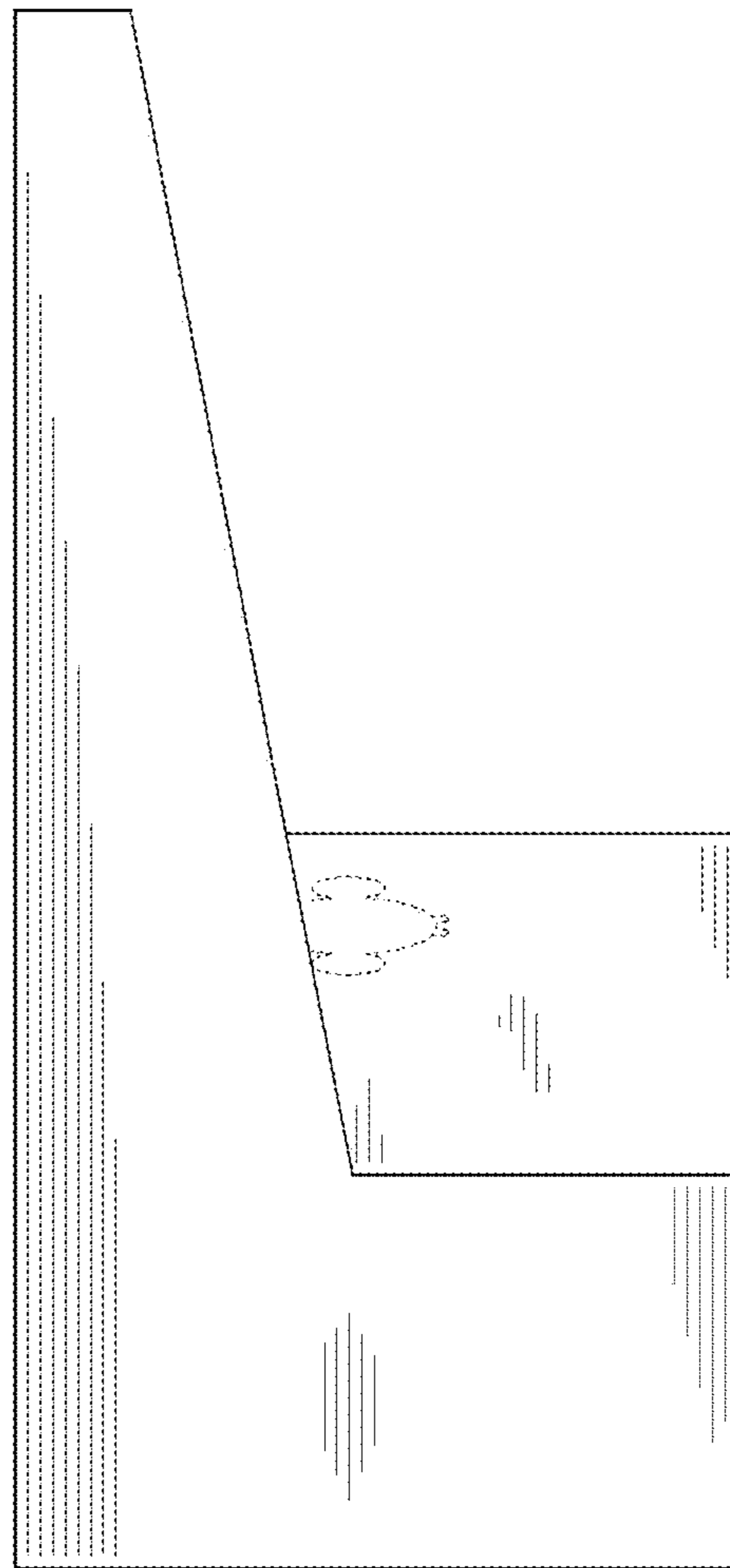


Fig. 5

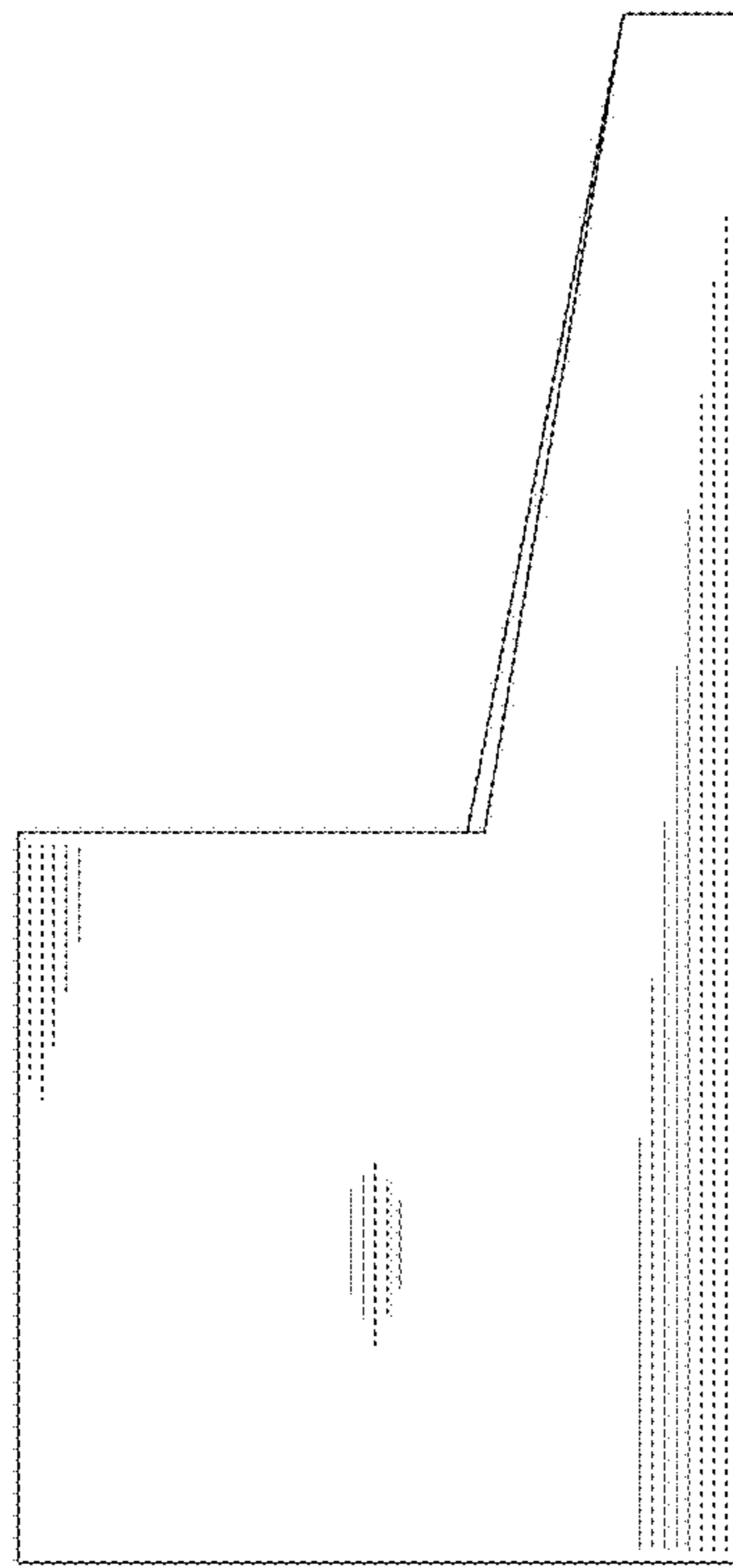


Fig. 6



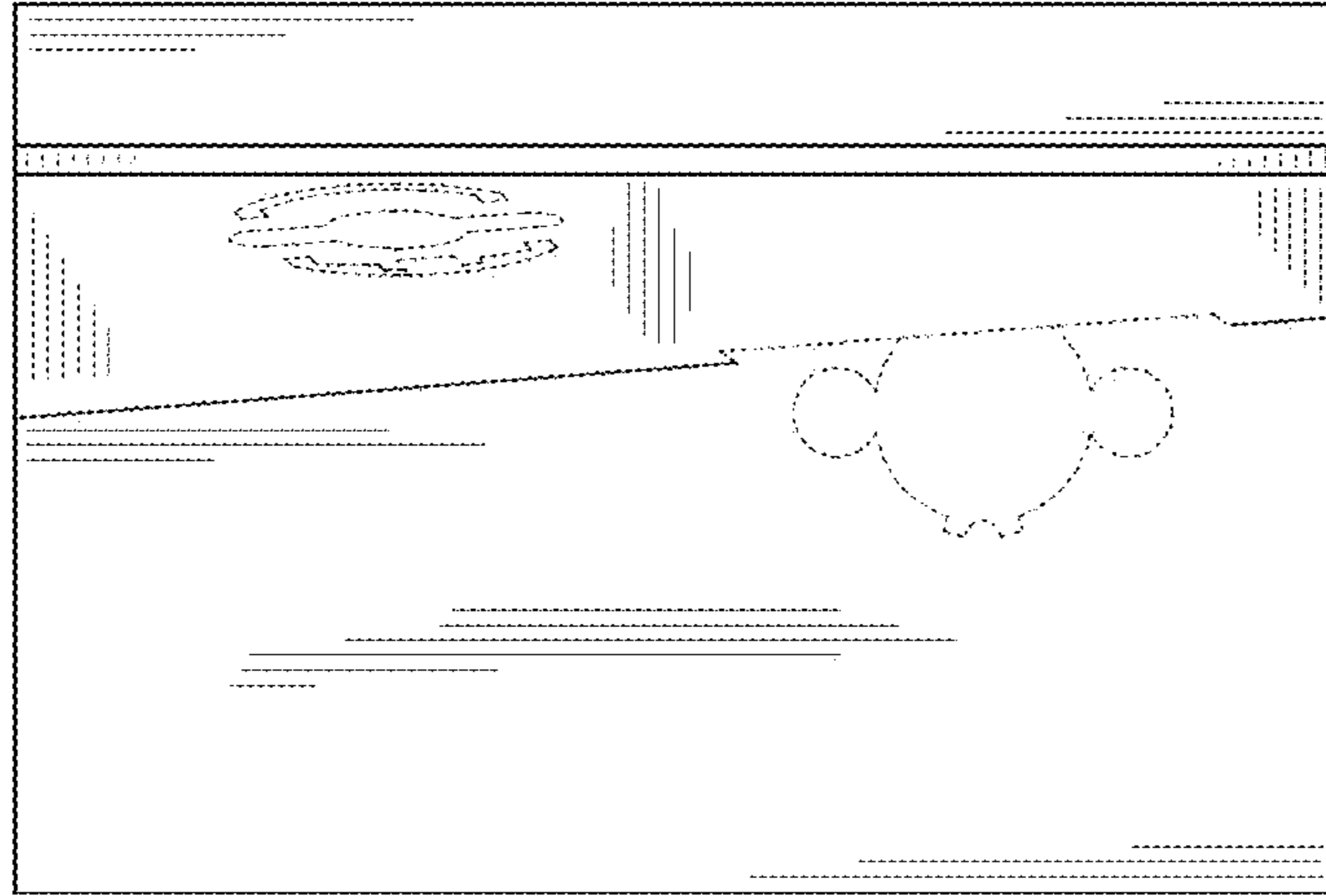


Fig. 7

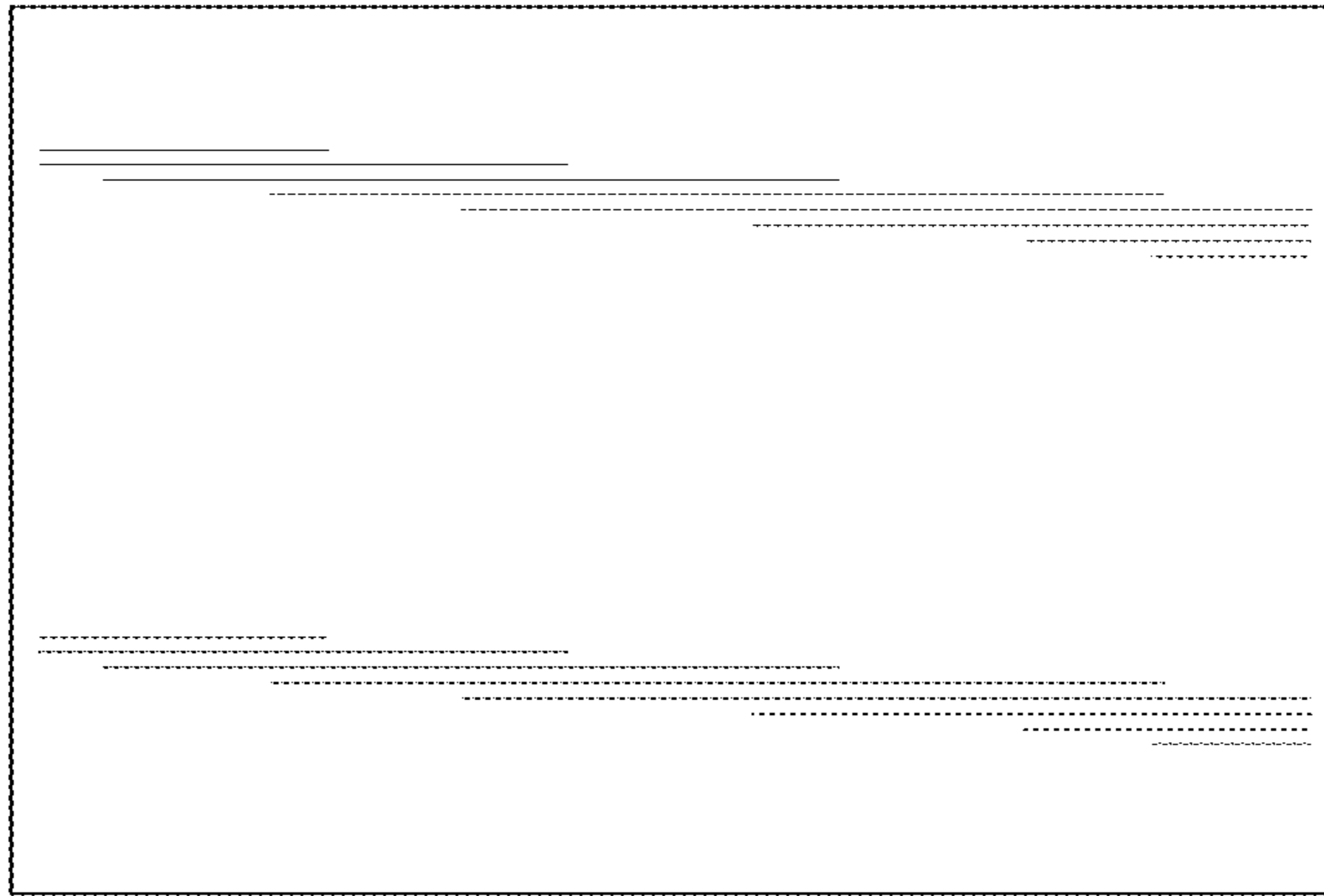


Fig. 8

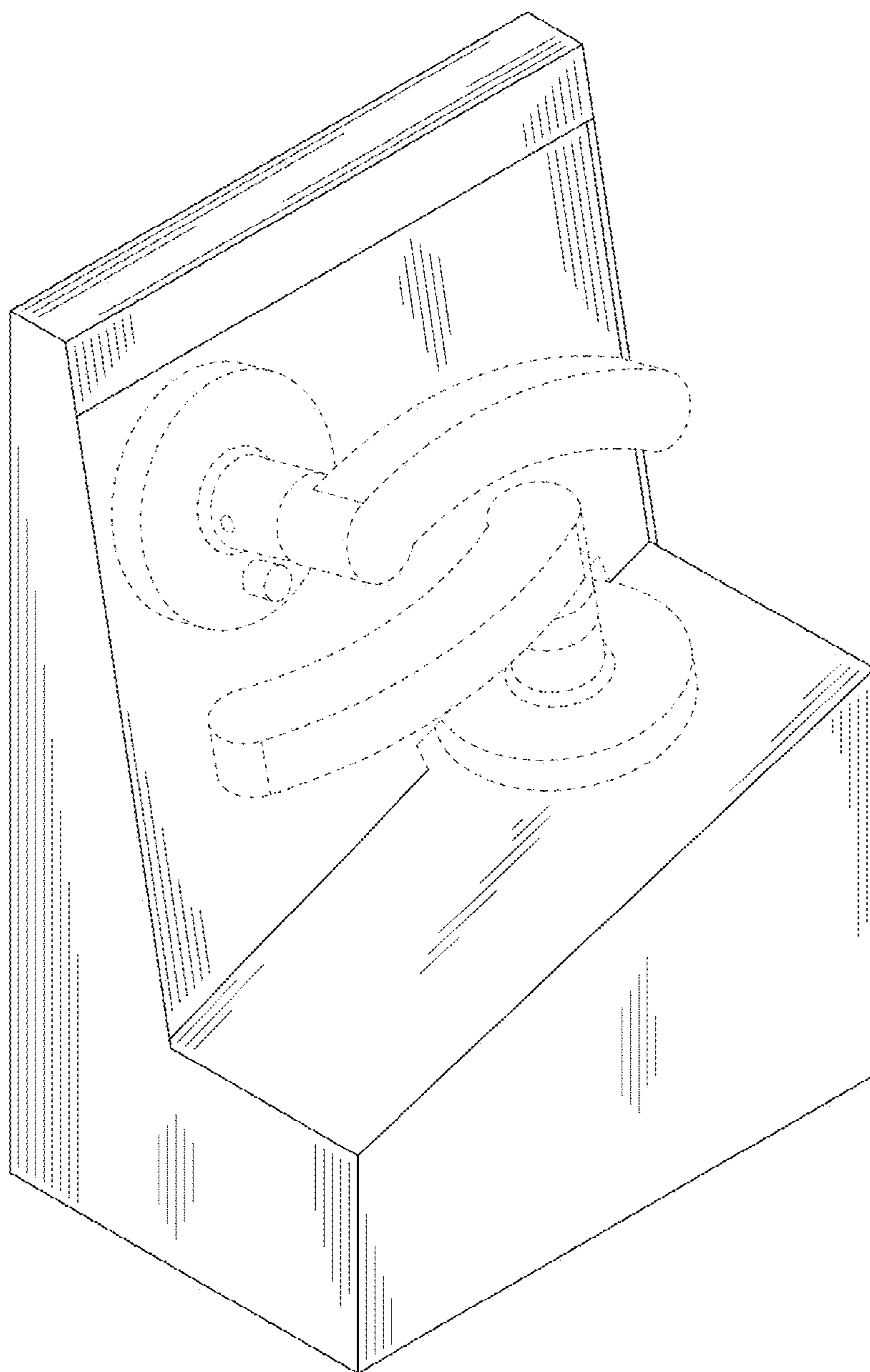


Fig. 9