



US00D803678S

(12) **United States Design Patent**
Chen et al.

(10) **Patent No.:** **US D803,678 S**

(45) **Date of Patent:** **** Nov. 28, 2017**

(54) **PACKING CASE FOR LOCK DEVICES**

(71) Applicant: **TAIWAN FU HSING INDUSTRIAL CO., LTD.**, Kaohsiung (TW)

(72) Inventors: **Shu-Hui Chen**, Kaohsiung (TW);
Wan-Lin Hsieh, Kaohsiung (TW)

(73) Assignee: **TAIWAN FU HSING INDUSTRIAL CO., LTD.**, Kaohsiung (TW)

(**) Term: **15 Years**

(21) Appl. No.: **29/553,456**

(22) Filed: **Feb. 2, 2016**

(30) **Foreign Application Priority Data**

Oct. 20, 2015 (TW) 104305859

(51) **LOC (10) Cl.** **09-03**

(52) **U.S. Cl.**
USPC **D9/430**

(58) **Field of Classification Search**
USPC D9/414-434, 442-445, 456, 457, 542,
D9/563, 600, 614-624, 655, 657, 658,
(Continued)

(56) **References Cited**

U.S. PATENT DOCUMENTS

2,344,182 A * 3/1944 Taylor A47F 5/112
206/320
2,844,295 A * 7/1958 Williams B65D 5/0095
206/326

(Continued)

FOREIGN PATENT DOCUMENTS

JP D1413795 S 5/2011
JP D1456766 S 12/2012

(Continued)

Primary Examiner — Vy N Koenig
Assistant Examiner — Omeed Agilee

(74) *Attorney, Agent, or Firm* — CKC & Partners Co., Ltd.

(57) **CLAIM**

The ornamental design for a packing case for lock devices, as shown and described.

DESCRIPTION

FIG. 1 is a front and left perspective view of a packing case for lock devices of a first embodiment, showing our new design;

FIG. 2 is a front and right perspective view of the first embodiment;

FIG. 3 is a front view of the first embodiment;

FIG. 4 is a rear view of the first embodiment;

FIG. 5 is a left side view of the first embodiment;

FIG. 6 is a right side view of the first embodiment;

FIG. 7 is a top view of the first embodiment;

FIG. 8 is a bottom view of the first embodiment;

FIG. 9 is a front and left perspective view of the first embodiment, showing unclaimed lock devices disposed thereon for reference;

FIG. 10 is a front and left perspective view of a packing case for lock devices of a second embodiment, showing our new design;

FIG. 11 is a front and right perspective view of the second embodiment;

FIG. 12 is a front view of the second embodiment;

FIG. 13 is a rear view of the second embodiment;

FIG. 14 is a left side view of the second embodiment;

FIG. 15 is a right side view of the second embodiment;

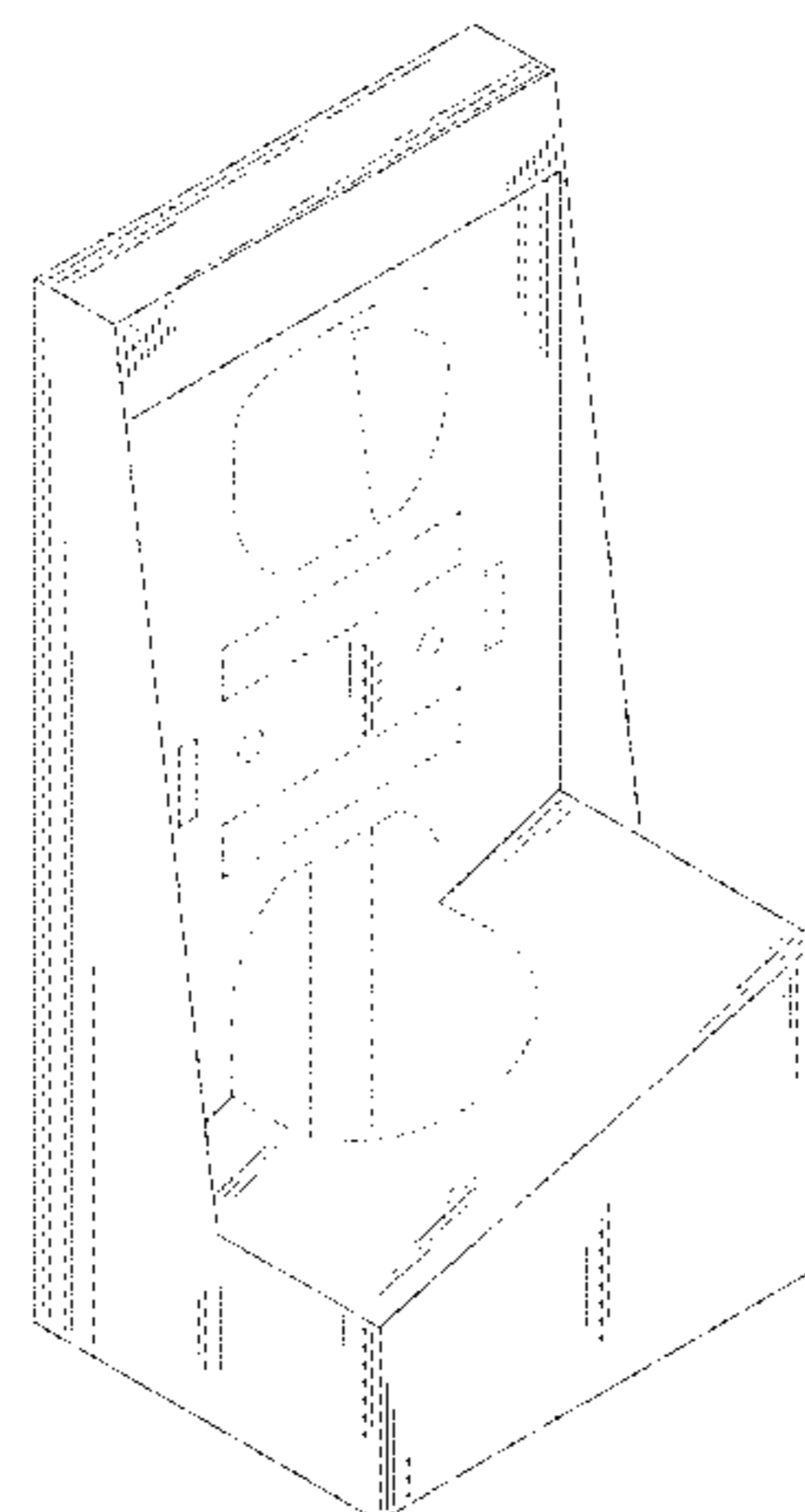
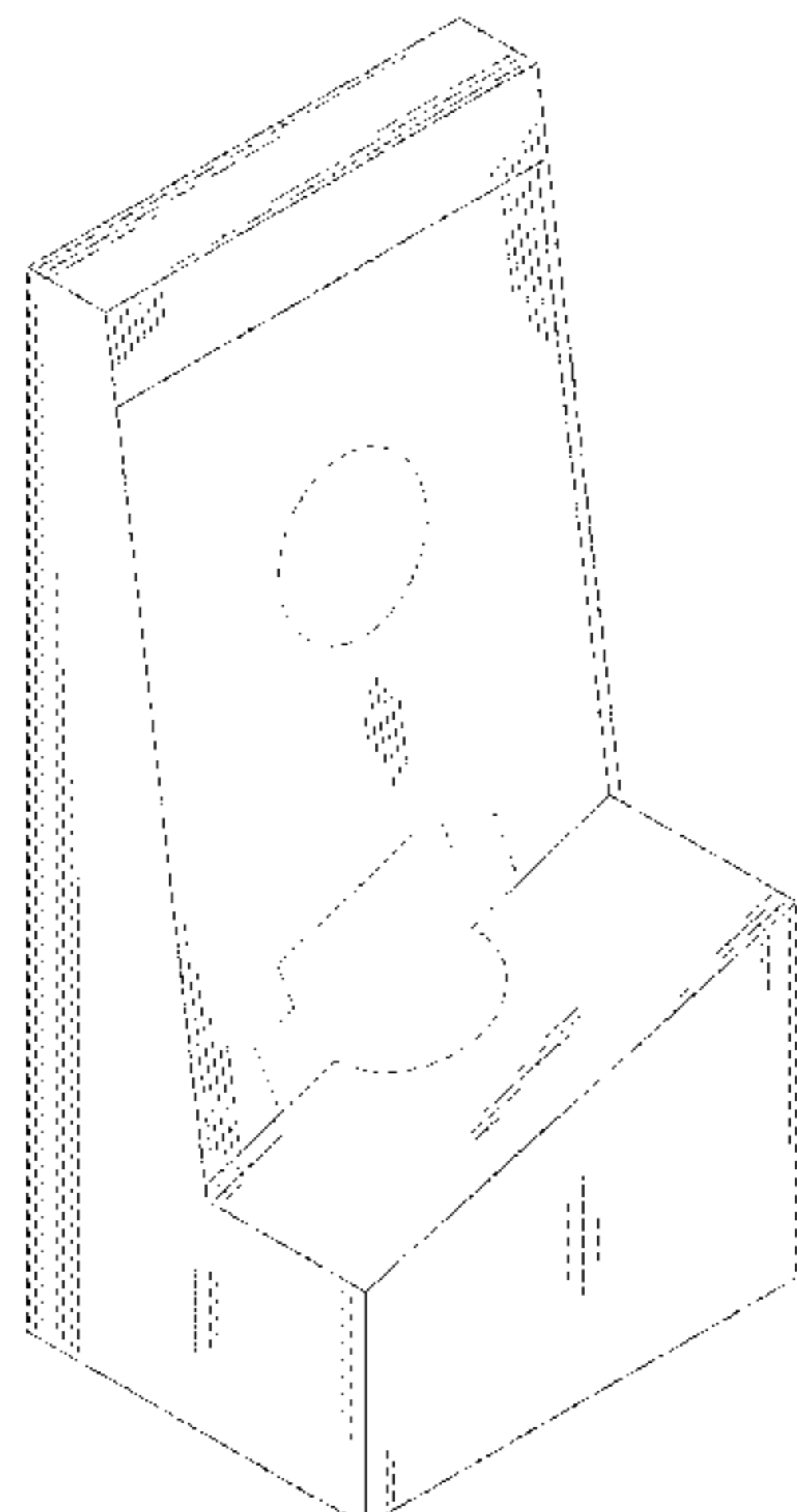
FIG. 16 is a top view of the second embodiment;

FIG. 17 is a bottom view of the second embodiment; and,

FIG. 18 is a front and left perspective view of the second embodiment, showing unclaimed lock devices disposed thereon for reference.

The broken lines in the drawings depict portions of the packing case for lock devices that form no part of the claimed design. The broken lines shown in FIG. 9 and FIG. 18 depict environmental subject matter and form no part of the claimed design.

1 Claim, 16 Drawing Sheets



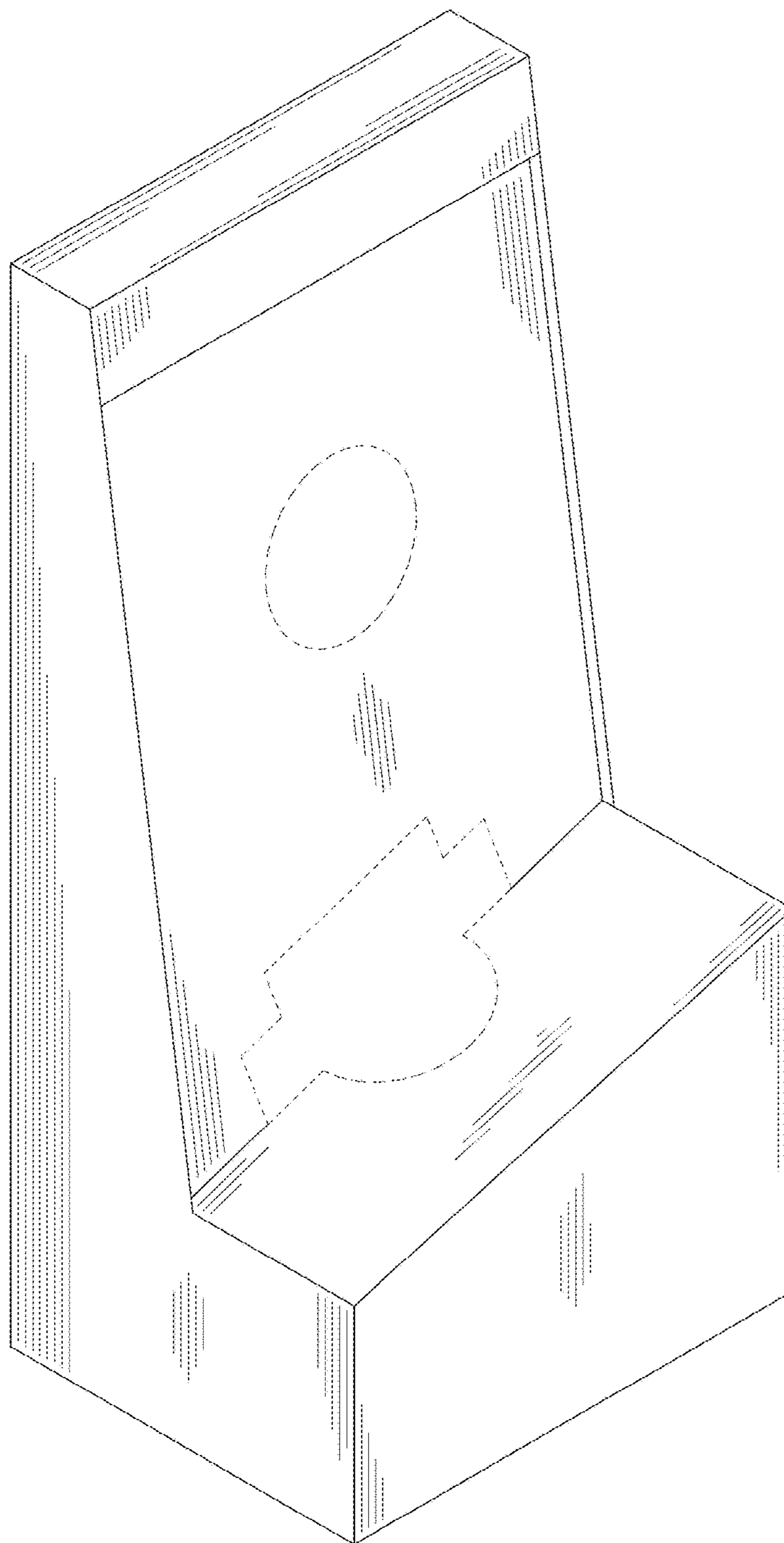


Fig. 1

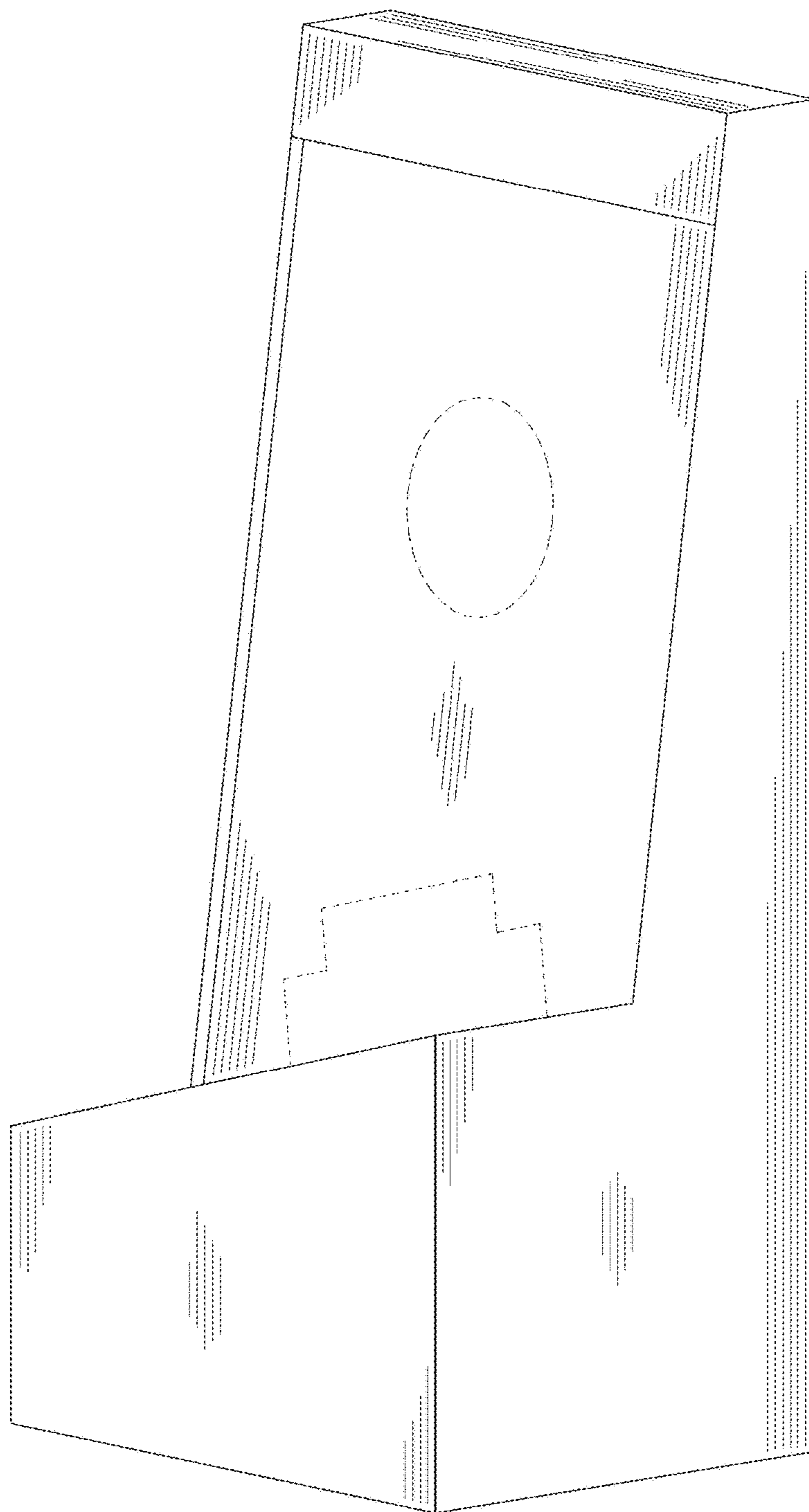


Fig. 2

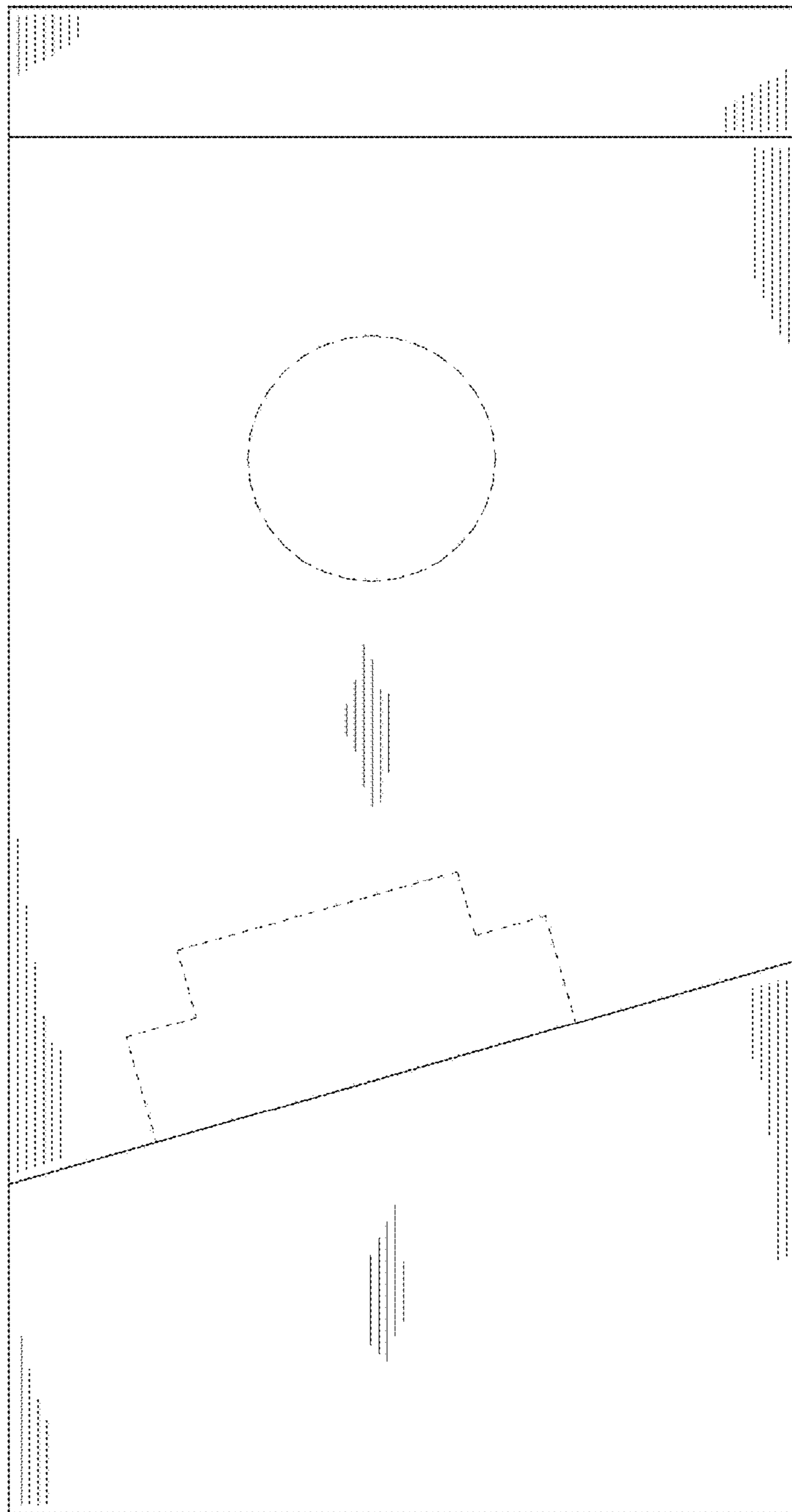


Fig. 3

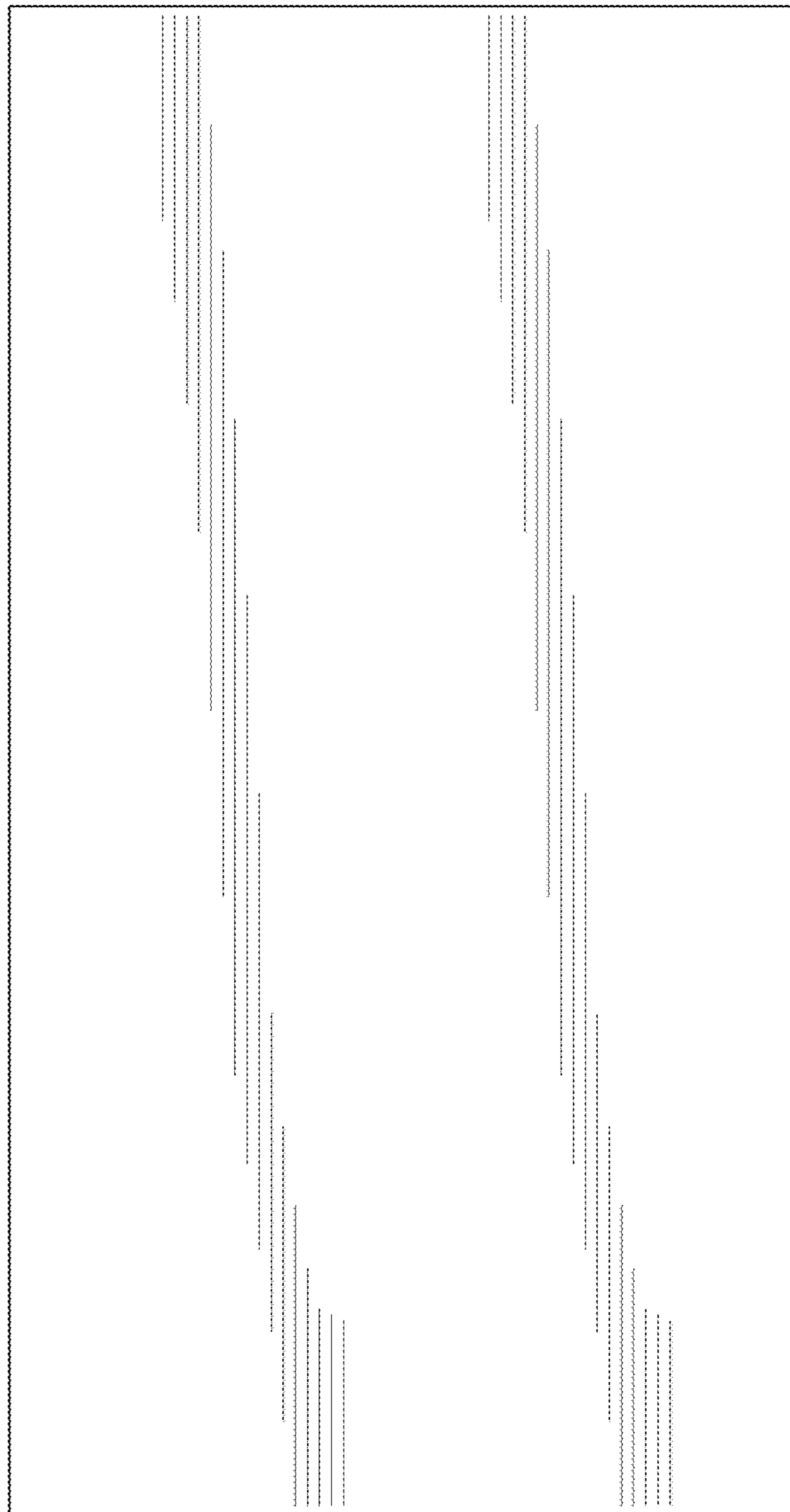


Fig. 4

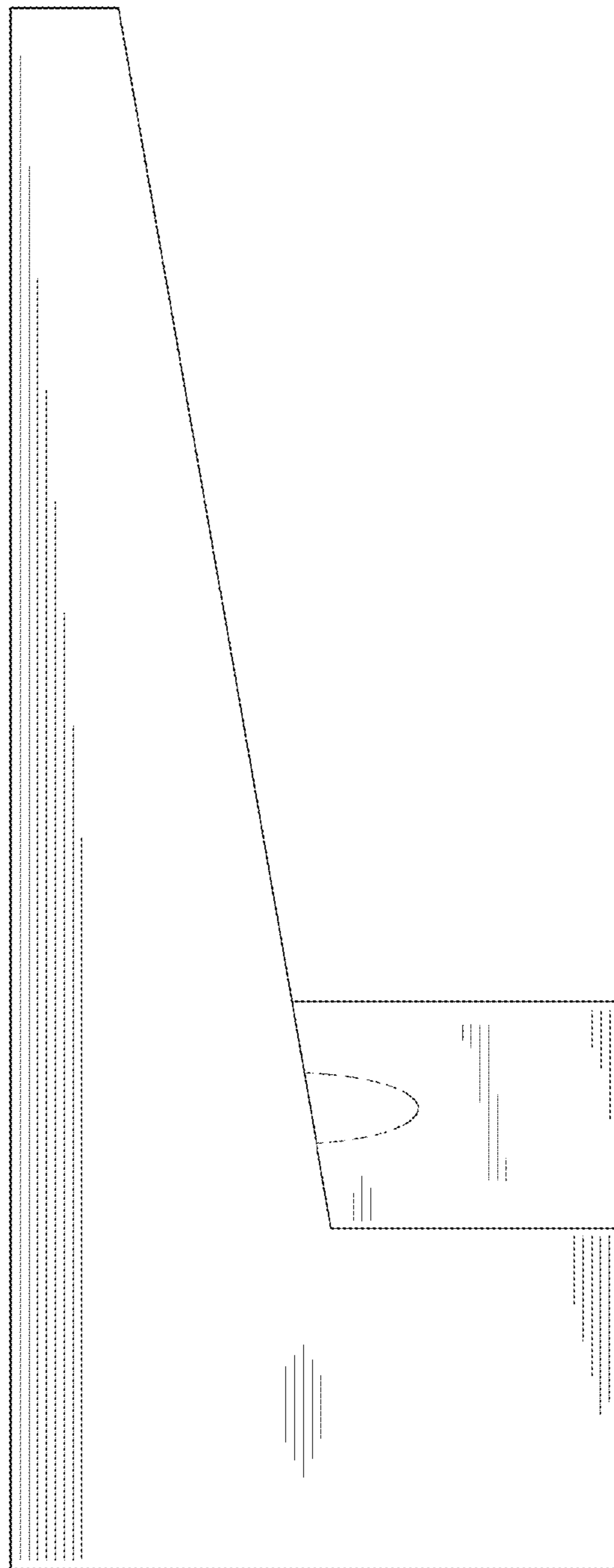


Fig. 5

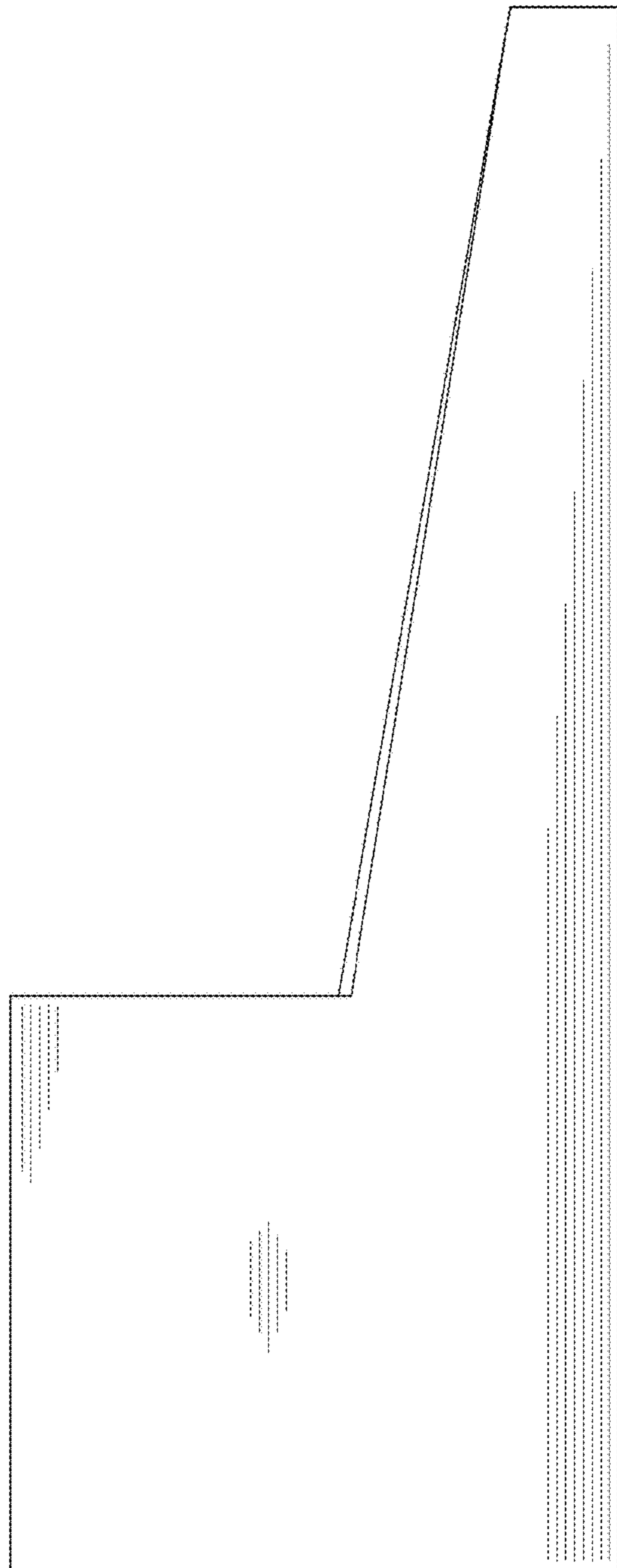


Fig. 6

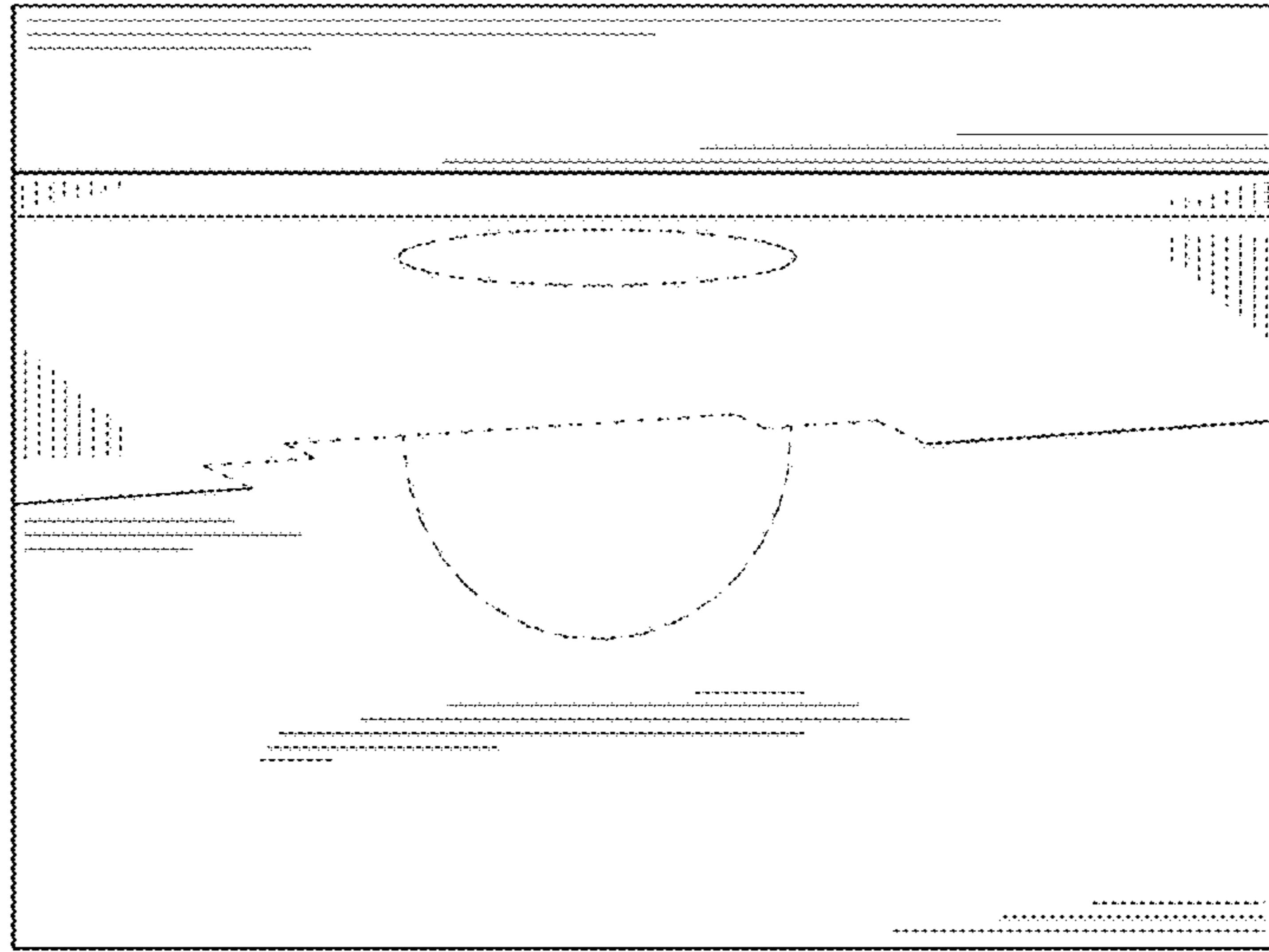


Fig. 7

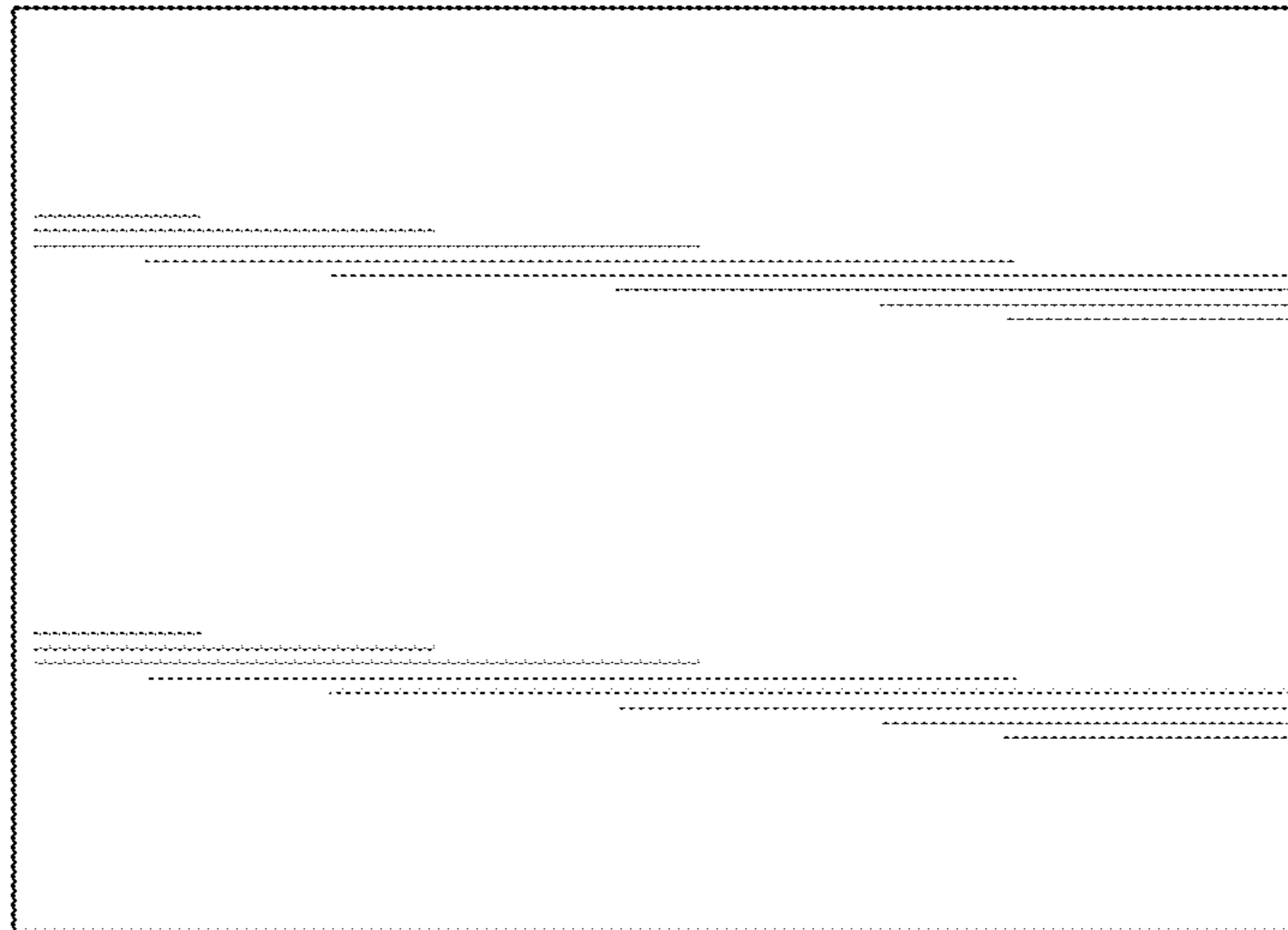


Fig. 8

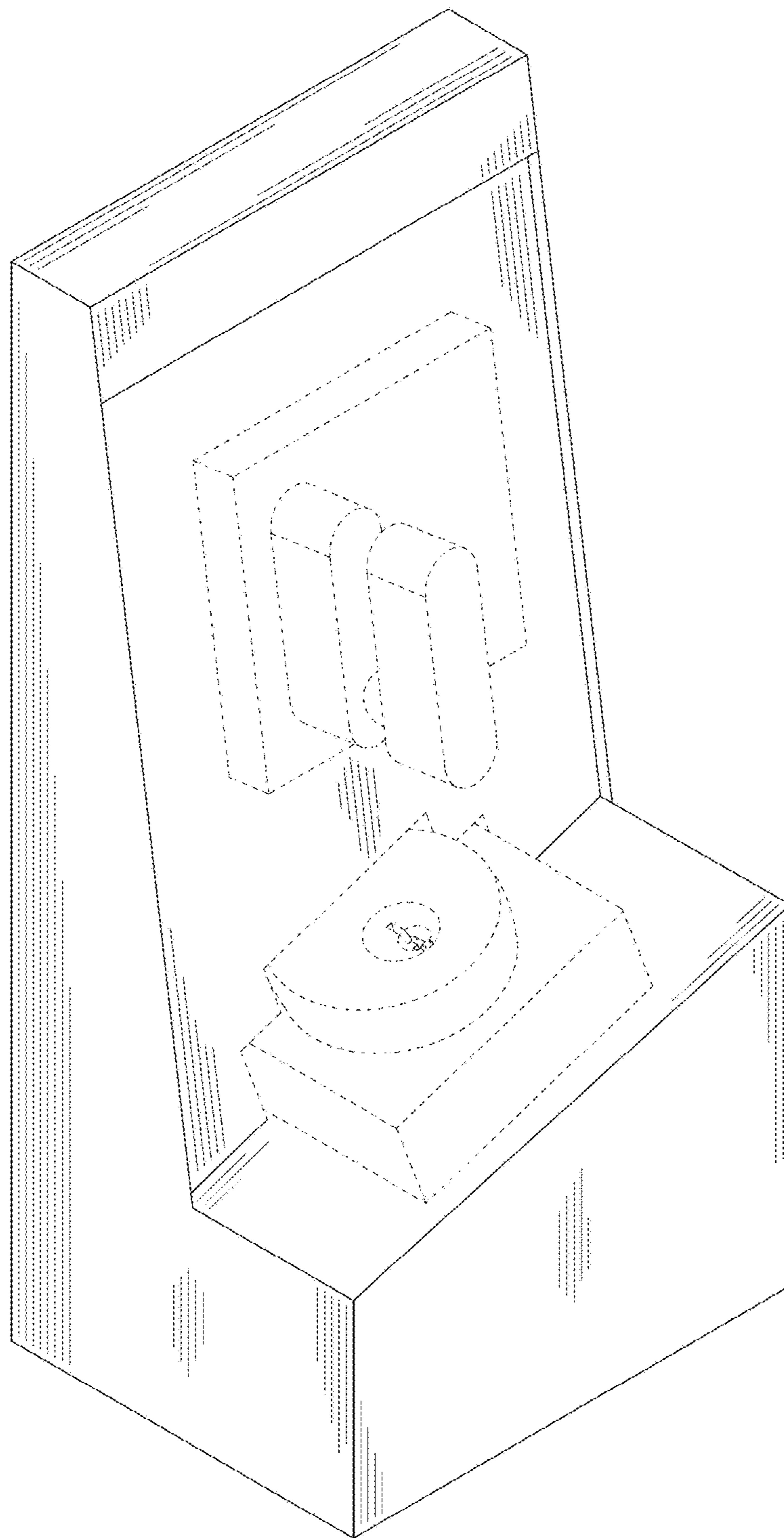


Fig. 9

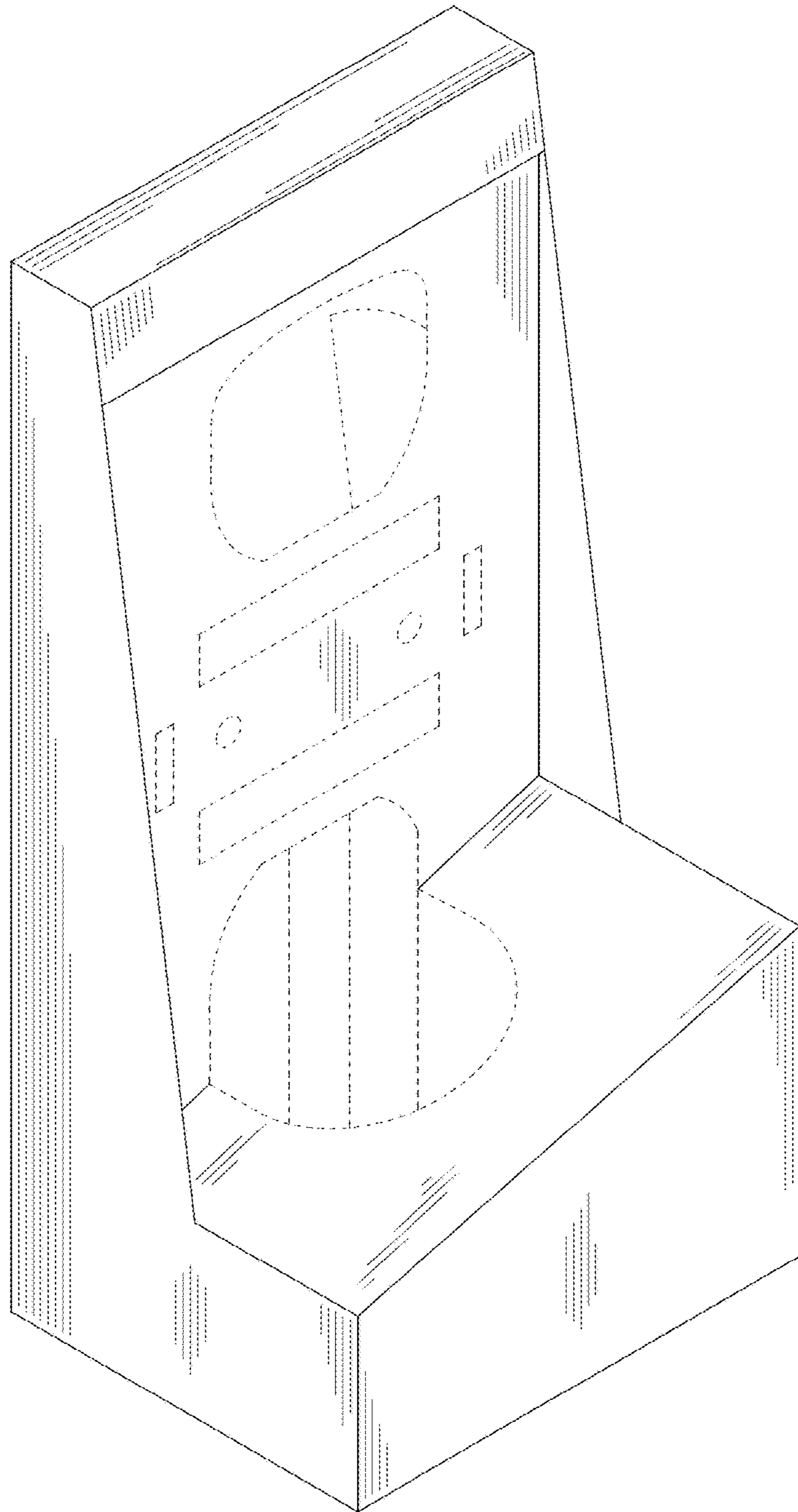


Fig. 10

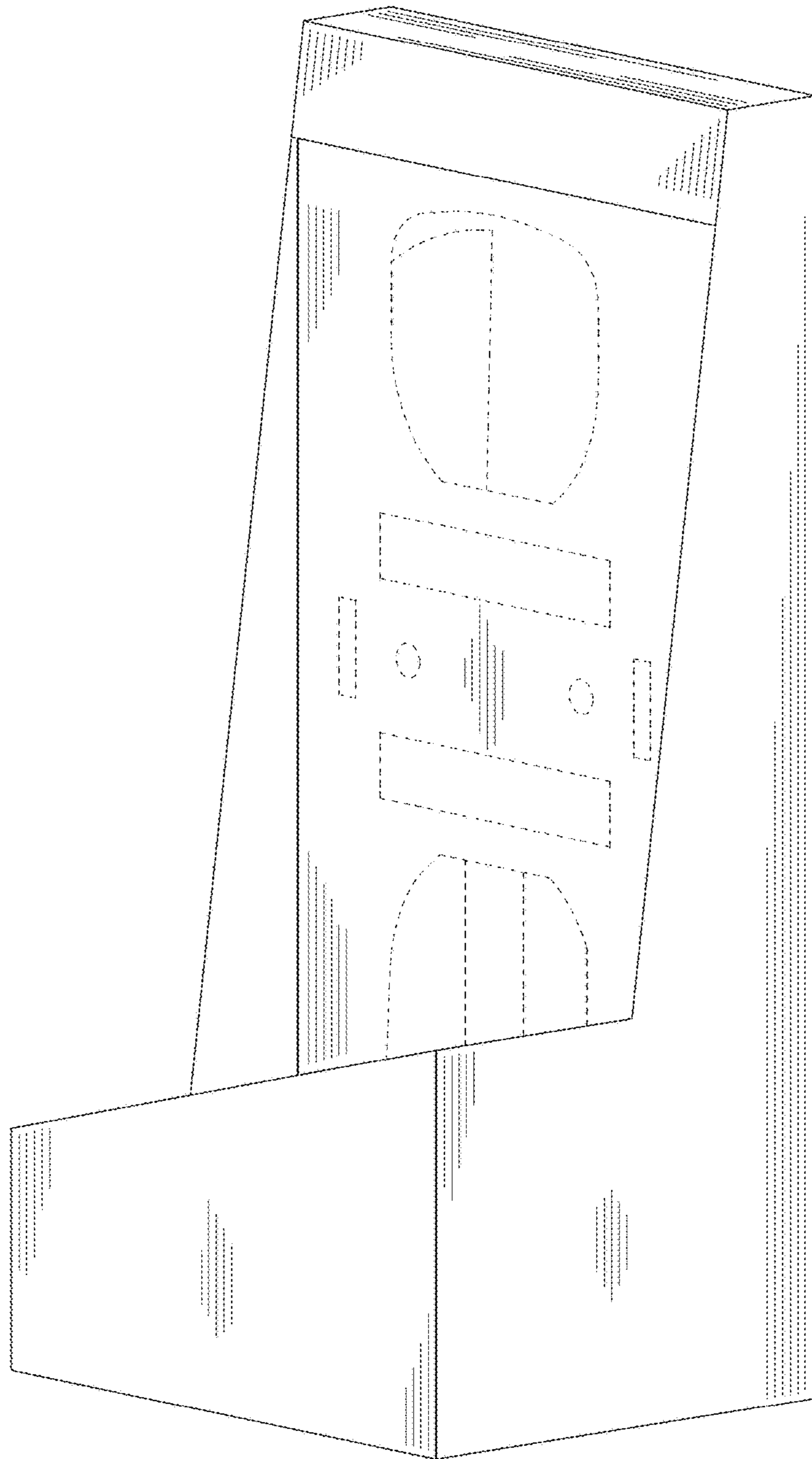


Fig. 11

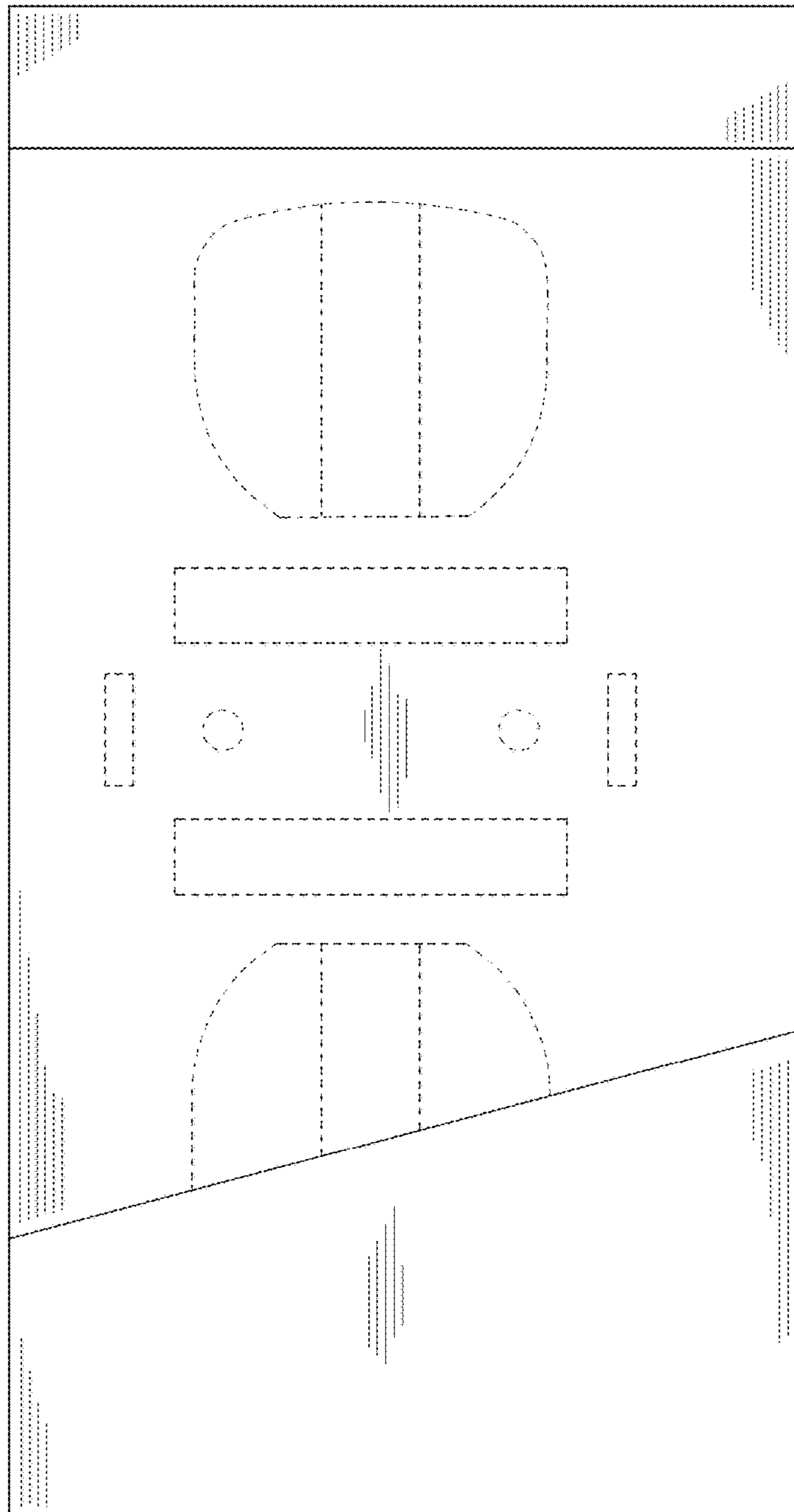


Fig. 12

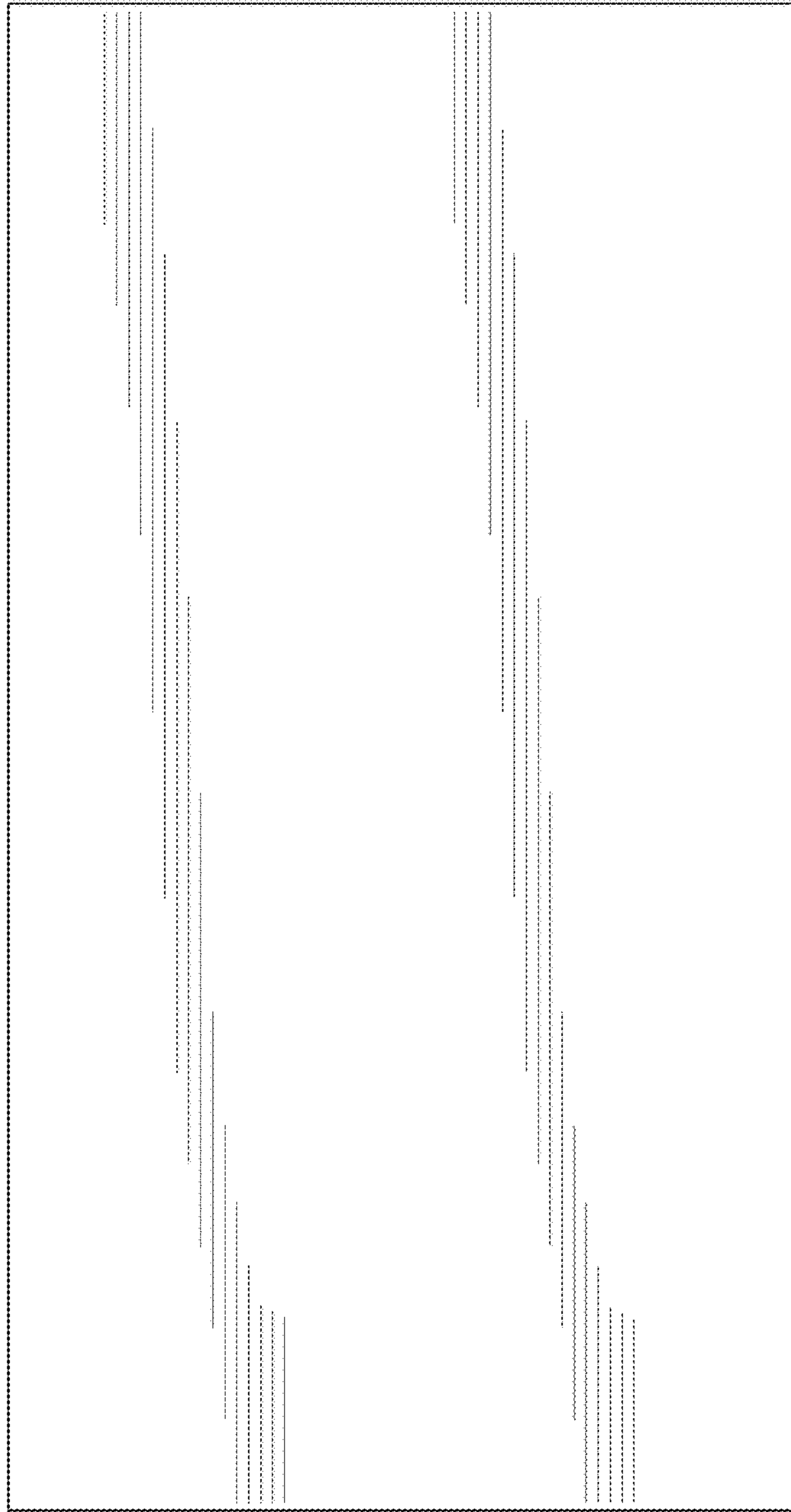


Fig. 13

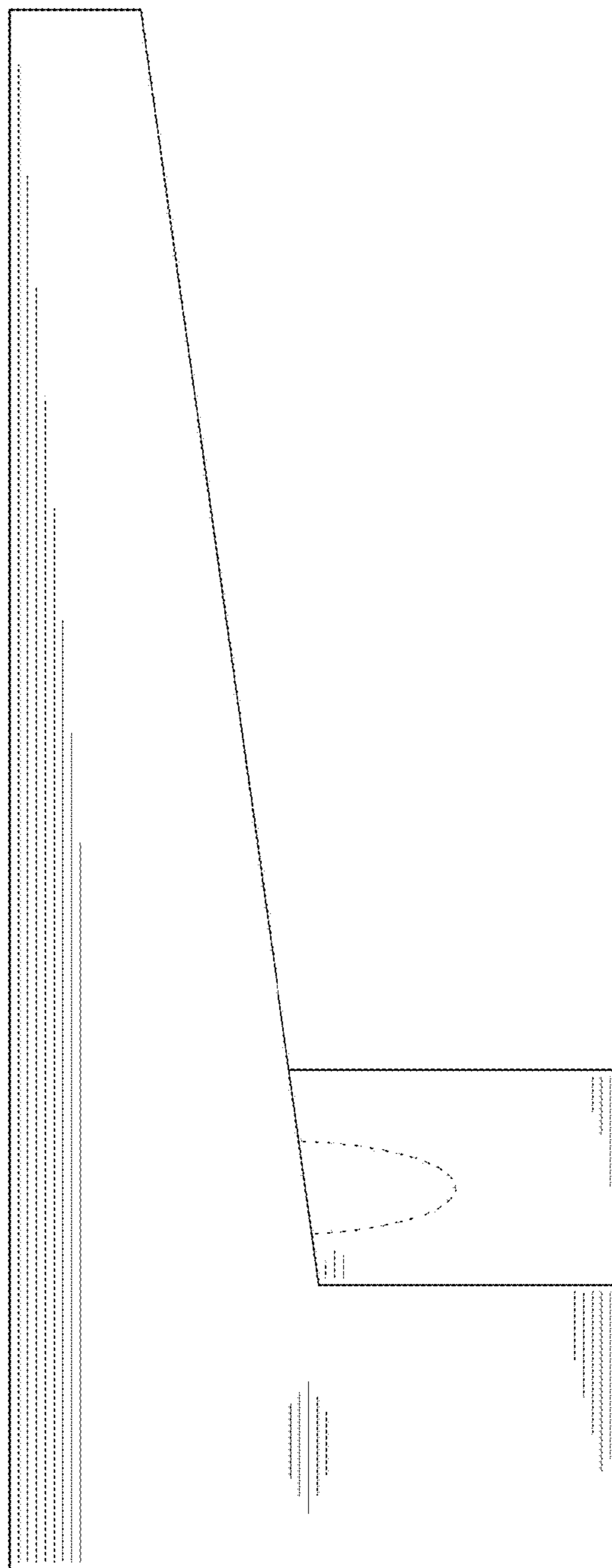


Fig. 14

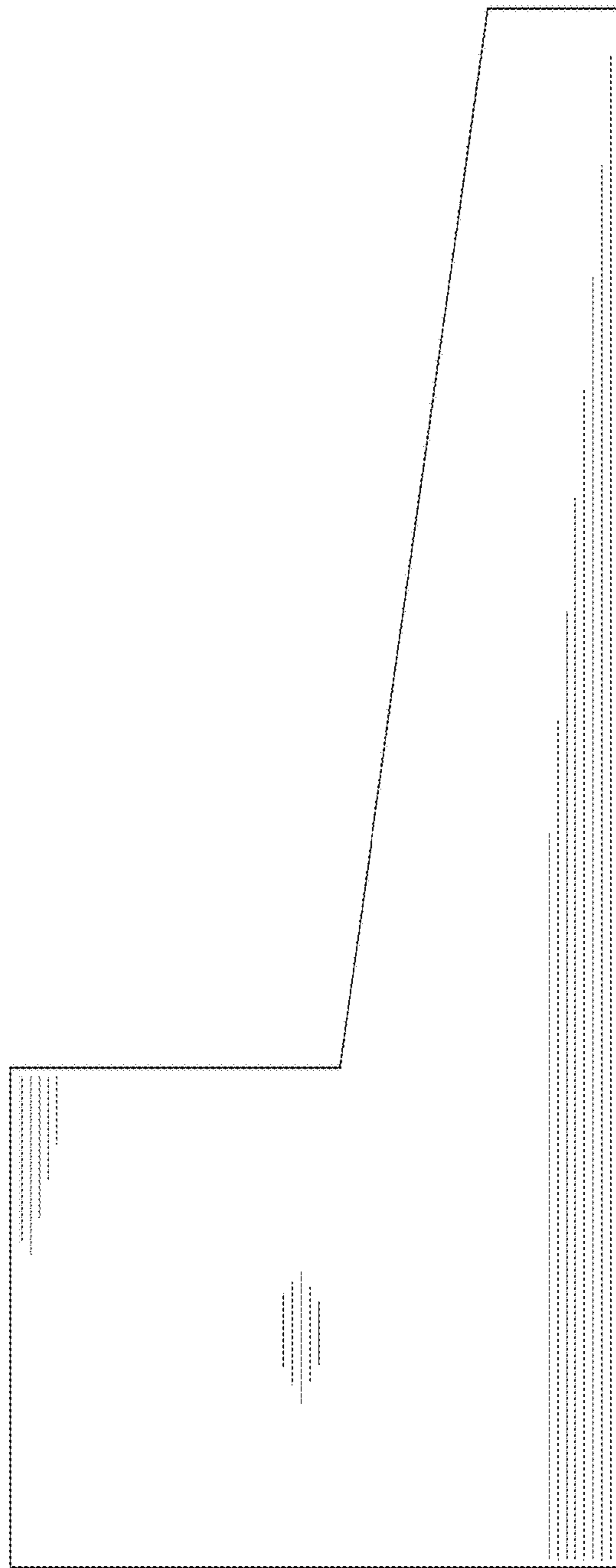


Fig. 15

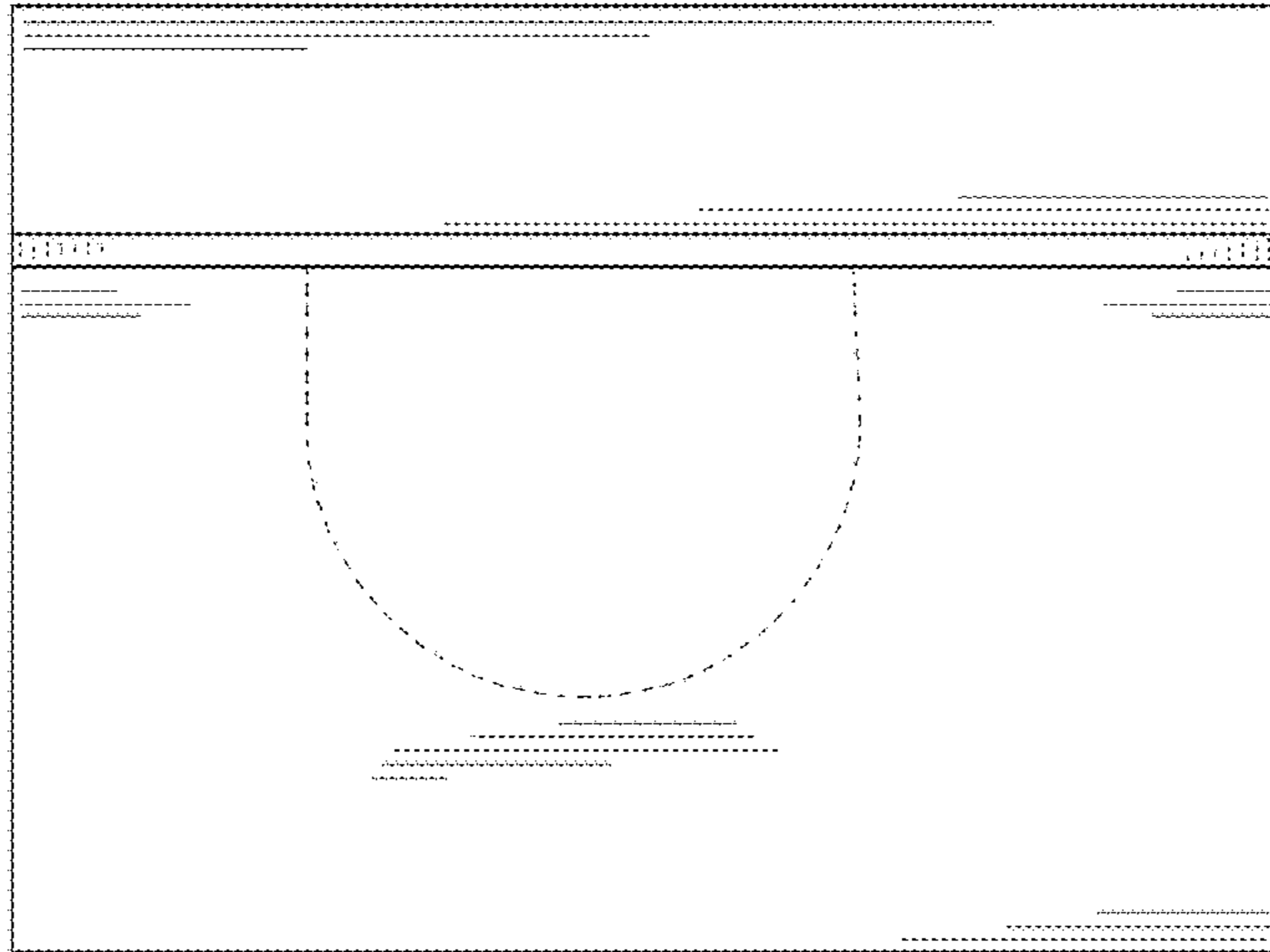


Fig. 16

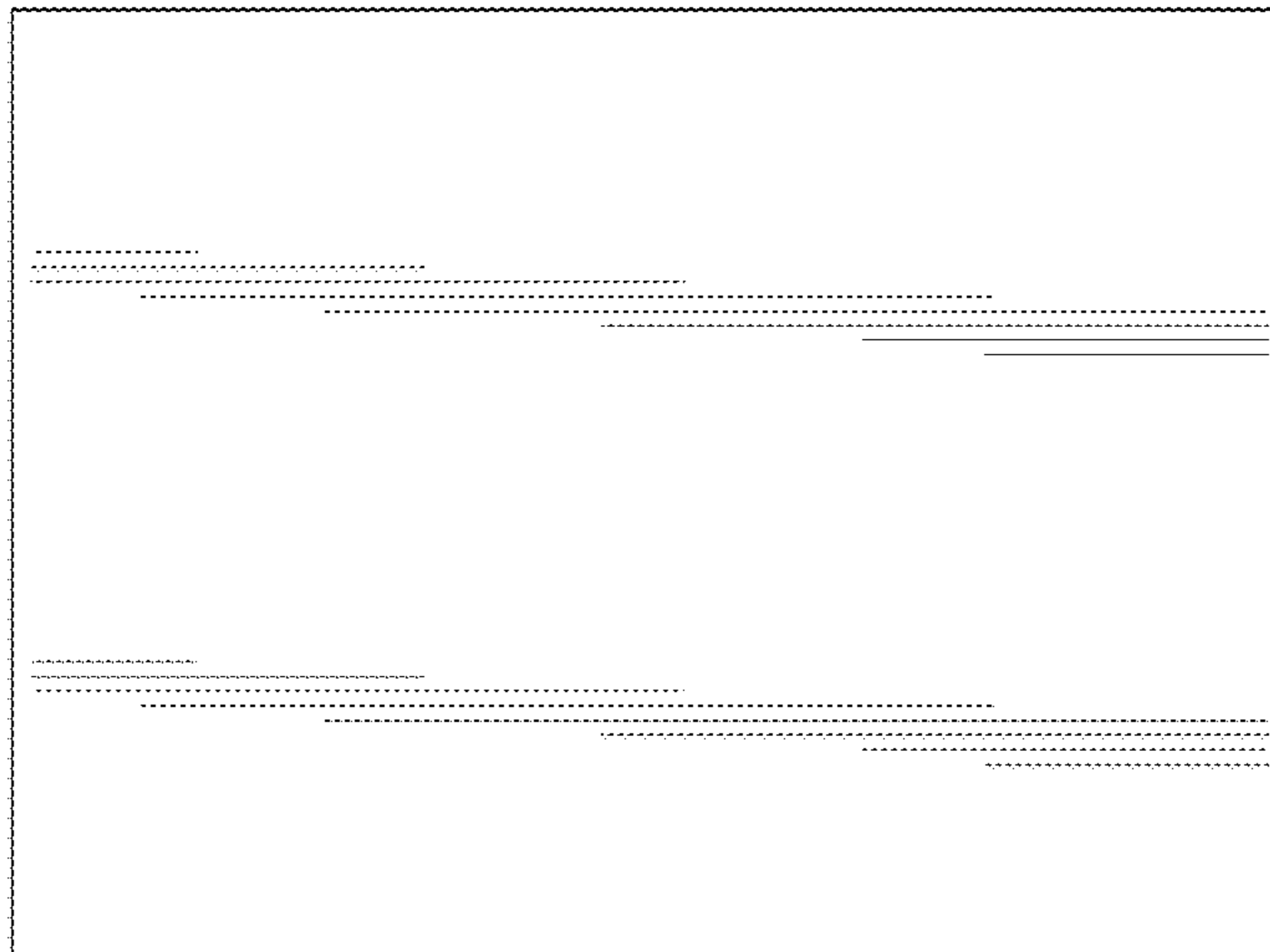


Fig. 17

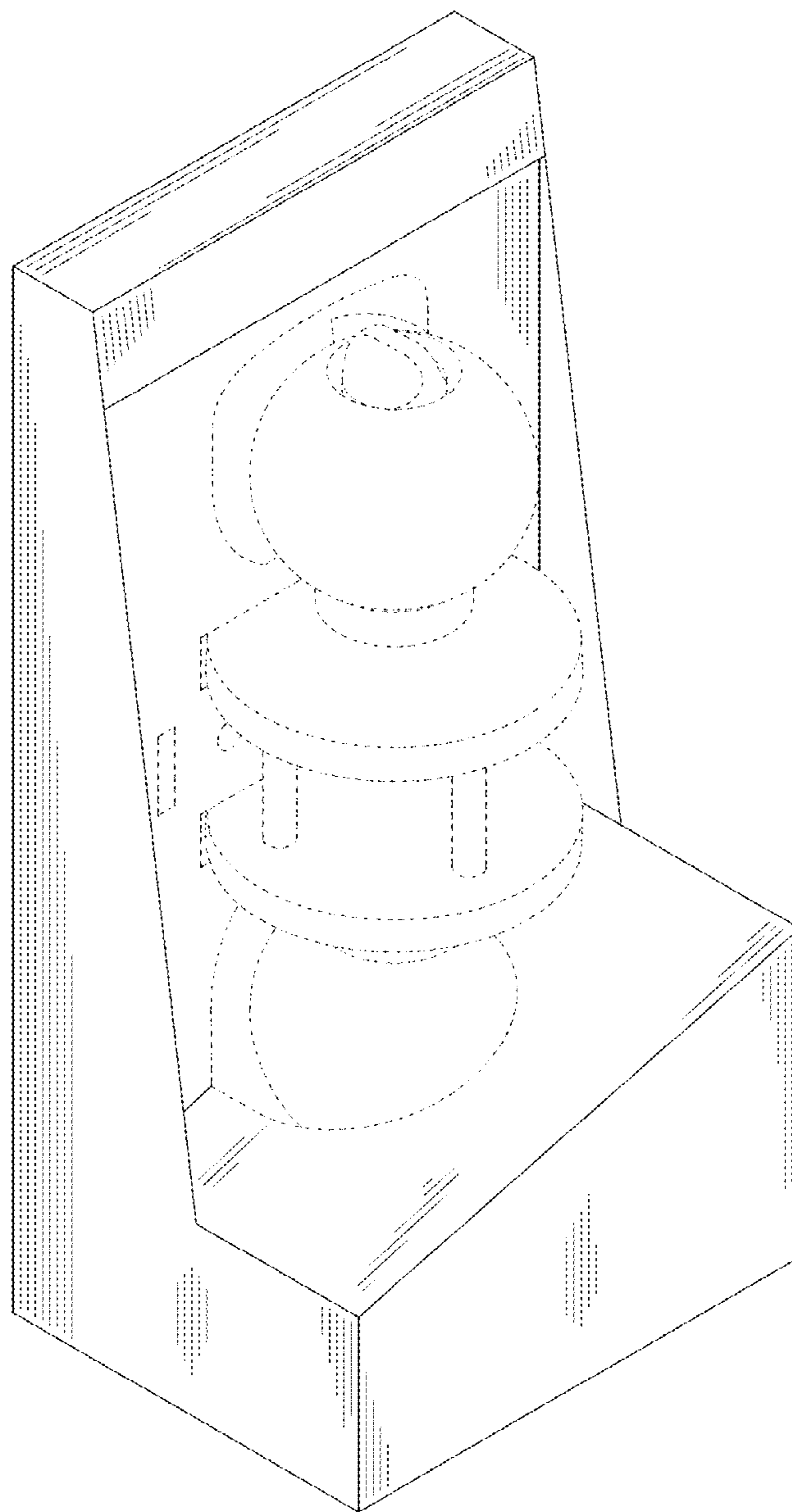


Fig. 18