



US00D803676S

(12) **United States Design Patent** (10) **Patent No.:** **US D803,676 S**
Fisher et al. (45) **Date of Patent:** **** Nov. 28, 2017**

(54) **CONTAINER LID**
(71) Applicant: **WELLS ENTERPRISES, INC.**, Le Mars, IA (US)
(72) Inventors: **Scott L. Fisher**, Evansville, IN (US); **Jason Allen Rowe**, Santa Claus, IN (US)
(73) Assignee: **Wells Enterprises, Inc.**, LeMars, IA (US)
(**) Term: **15 Years**
(21) Appl. No.: **29/534,544**
(22) Filed: **Jul. 29, 2015**
(51) **LOC (10) Cl.** **09-01**
(52) **U.S. Cl.**
USPC **D9/428**
(58) **Field of Classification Search**
USPC D7/538-545, 602, 608, 629; D9/396.1, D9/414, 420, 424-429, 432, 761; 206/501-509; 220/781, 791, 793, 220/811-813, 835, 839
CPC ... B65D 1/24; B65D 1/26; B65D 1/34; B65D 1/36; B65D 1/40; B65D 1/0223; B65D 25/04; B65D 43/03; B65D 43/16; B65D 43/0212
See application file for complete search history.

D422,176 S * 4/2000 Laib D7/391
D440,114 S * 4/2001 Lillelund D7/391
D547,115 S 9/2005 Bouveret et al.
D521,380 S * 5/2006 Jackson D9/425
D563,157 S 3/2008 Bouveret et al.
D564,287 S 3/2008 Bouveret et al.
D571,200 S 6/2008 Bouveret et al.
D632,559 S 2/2011 Georgiadis
D655,159 S 3/2012 Killandi
(Continued)

FOREIGN PATENT DOCUMENTS

EP 1855956 B1 2/2006

OTHER PUBLICATIONS

Corningware French White 23-oz Oval Plastic Cover, announced Jun. 2012, [online], site visited Feb. 6, 2017. Available from Internet, <URL: <http://www.amazon.com>>.*

Primary Examiner — Derrick E Holland
Assistant Examiner — Janice Julia Patyk
(74) *Attorney, Agent, or Firm* — Barnes & Thornburg LLP

(57) **CLAIM**

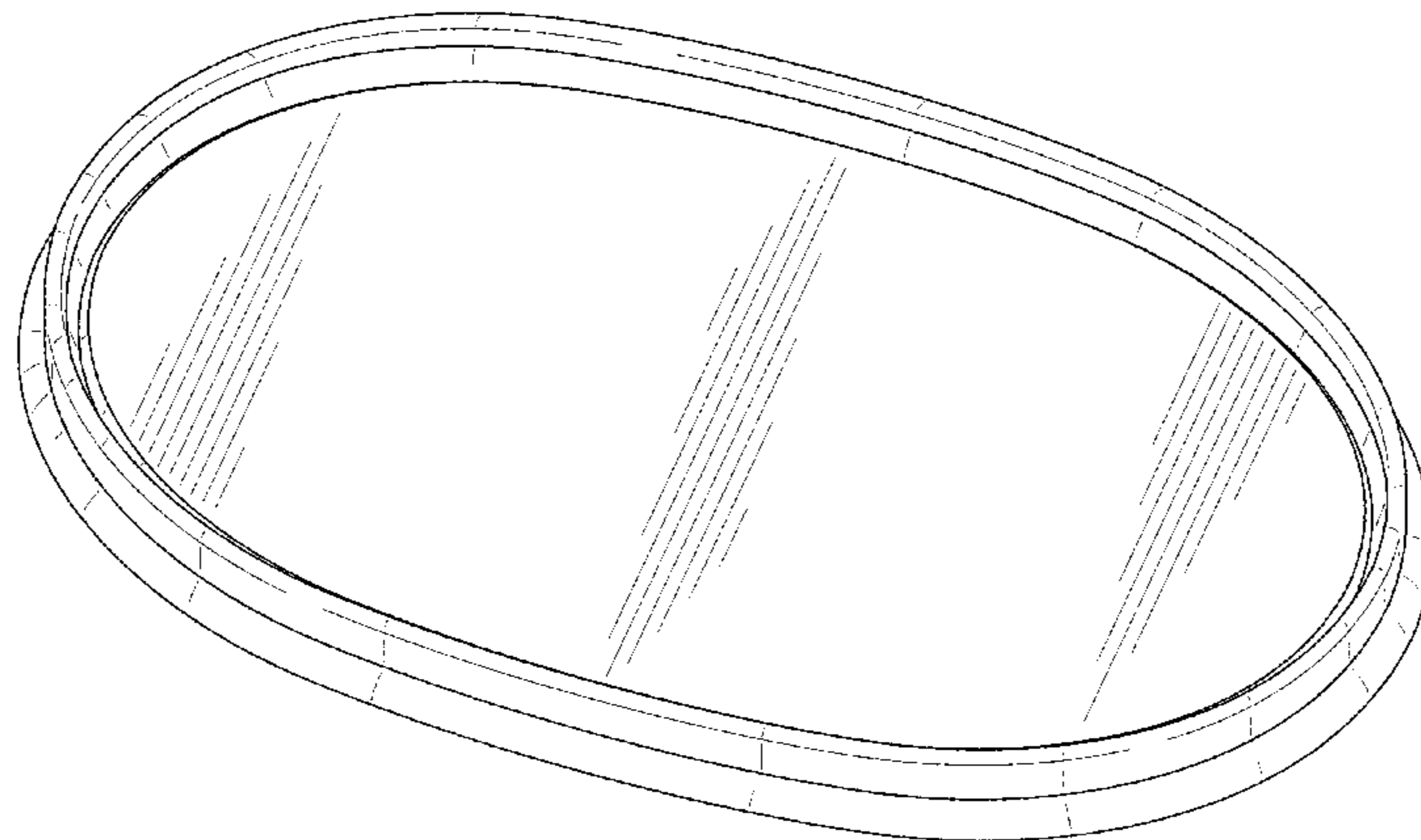
The ornamental design for a container lid, as shown and described.

DESCRIPTION

FIG. 1 is a top perspective view of a container lid, showing our new design;
FIG. 2 is a bottom perspective view thereof;
FIG. 3 is a front elevational view thereof;
FIG. 4 is a back elevational view thereof;
FIG. 5 is a right side elevational view thereof;
FIG. 6 is a left side elevational view thereof;
FIG. 7 is a top plan view thereof; and,
FIG. 8 is a bottom plan view thereof.
The broken line portions show unclaimed subject matter only and form no part of the claimed design.

1 Claim, 5 Drawing Sheets

(56) **References Cited**
U.S. PATENT DOCUMENTS
3,421,654 A * 1/1969 Hexel B65D 43/161 206/508
D248,357 S * 7/1978 Daenen D7/505
D274,030 S * 5/1984 Daenen D7/391
D280,058 S * 8/1985 Carlson D7/542
D296,761 S * 7/1988 Mockett 379/438
D298,199 S 10/1988 Finsilver et al.
5,303,839 A 4/1994 Blumenschein
D360,105 S * 7/1995 Doxey D7/391
D379,133 S * 5/1997 Ahern, Jr. D7/391



(56)

References Cited

U.S. PATENT DOCUMENTS

D661,543 S	6/2012	Bouveret et al.	
D679,991 S	4/2013	Hudson et al.	
D689,363 S	9/2013	Sundy et al.	
8,528,770 B2	9/2013	Albrecht et al.	
D692,298 S *	10/2013	Pipes	A24F 23/00 D9/434
D706,131 S *	6/2014	Brooks	D9/428
8,777,043 B2	7/2014	Furlong	
D720,613 S	12/2014	Dziaba et al.	
D723,339 S	2/2015	Maxwell et al.	
D723,340 S	3/2015	Maxwell et al.	
D730,127 S	5/2015	Maxwell et al.	

* cited by examiner

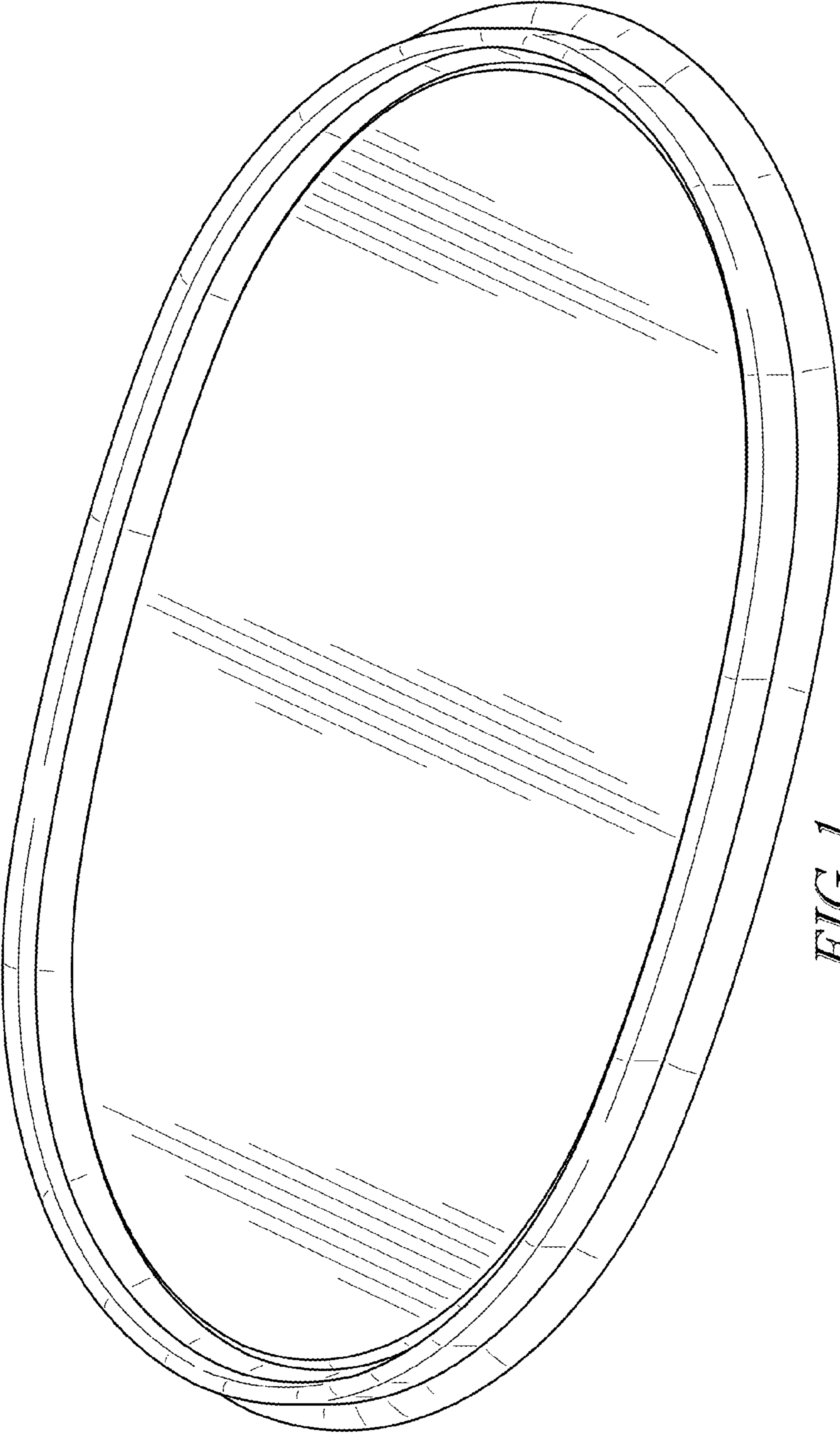


FIG. 1

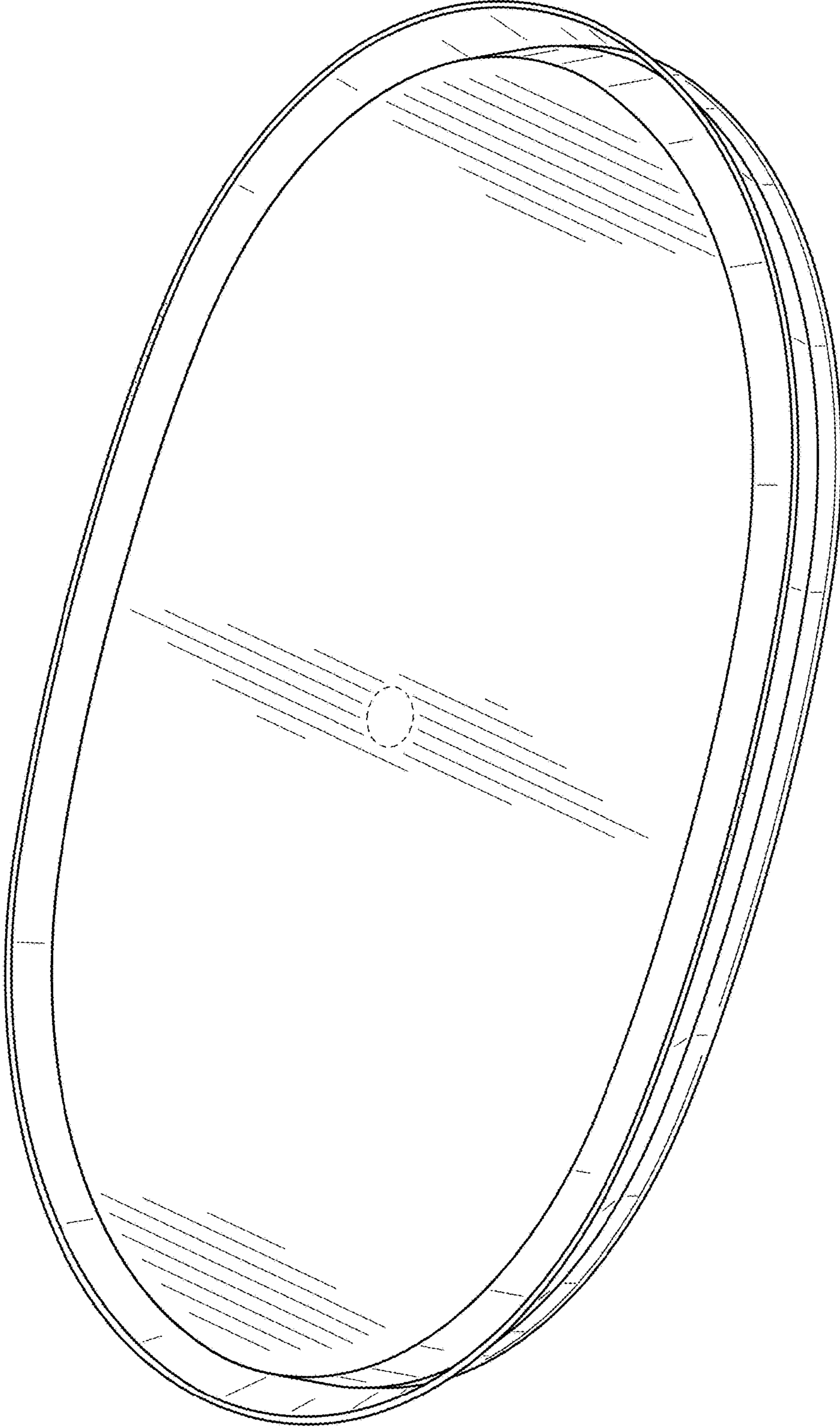


FIG. 2

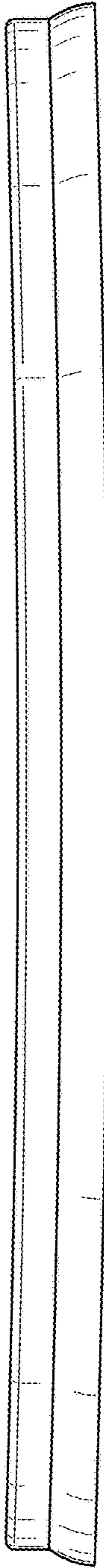


FIG. 3

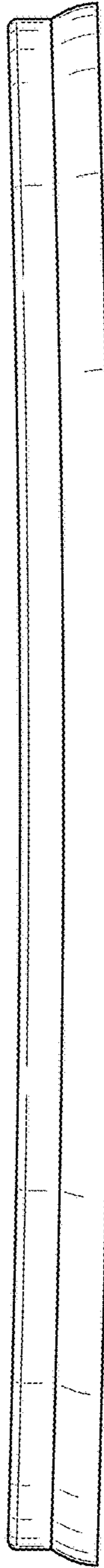


FIG. 4

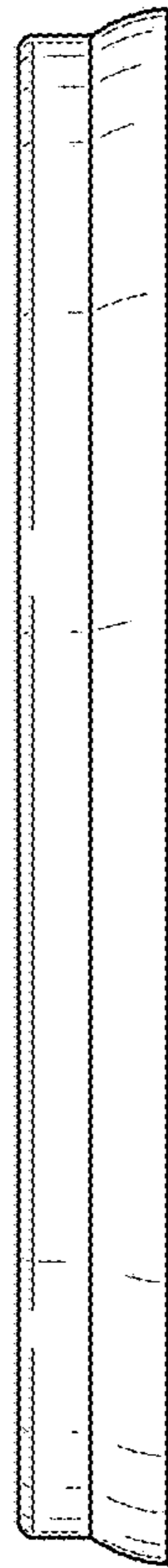


FIG. 5

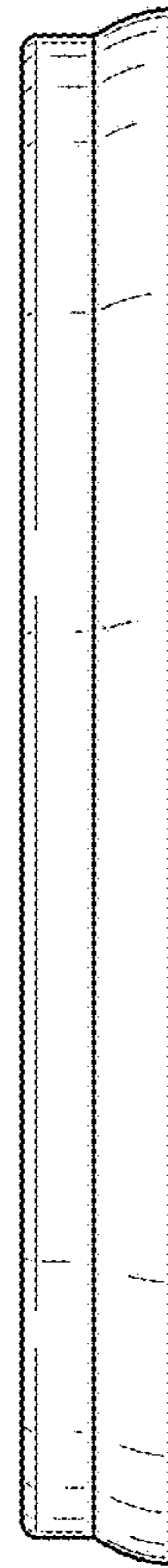


FIG. 6

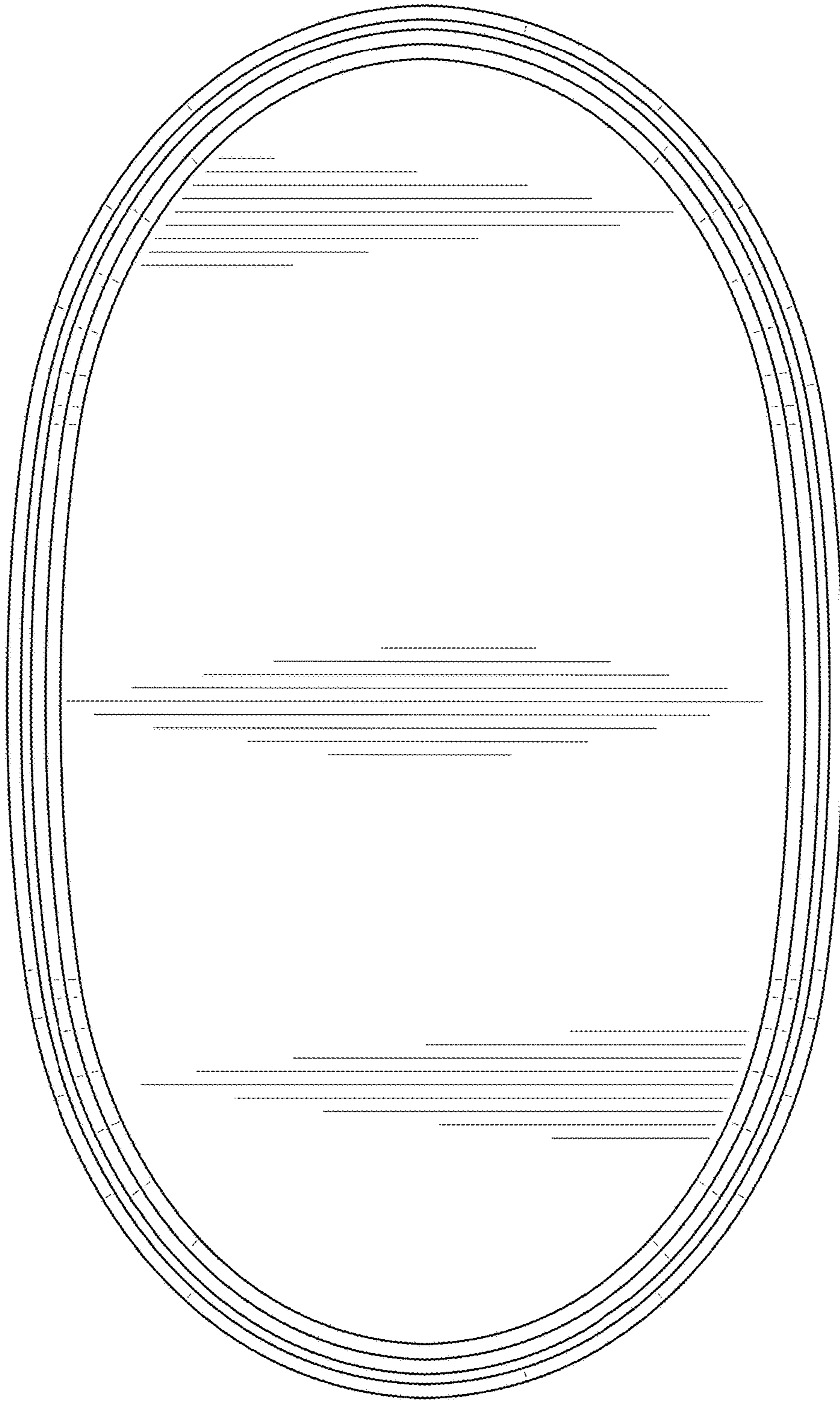


FIG. 7

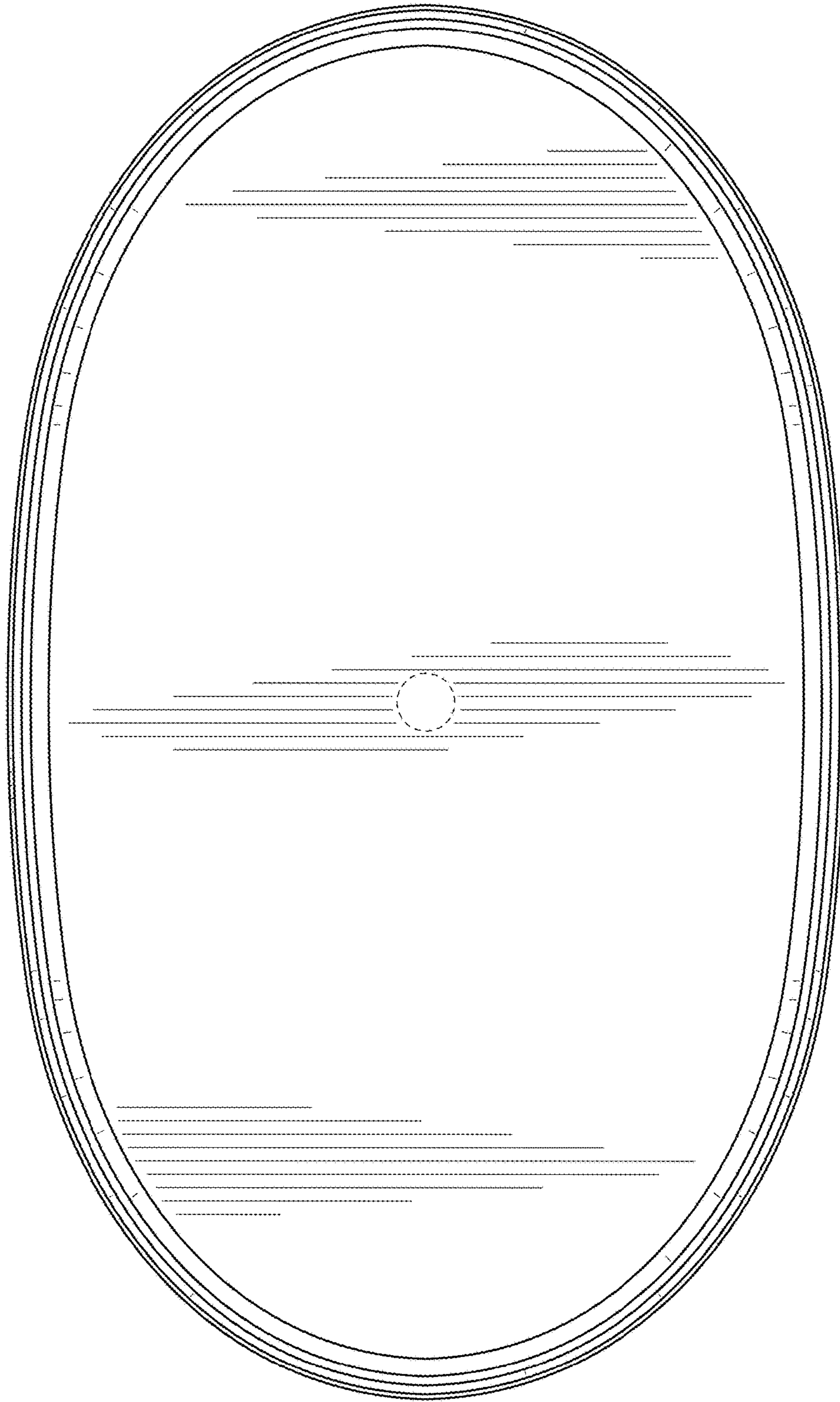


FIG. 8