



US00D803675S

(12) **United States Design Patent** (10) **Patent No.:** **US D803,675 S**
Middleton et al. (45) **Date of Patent:** **** Nov. 28, 2017**

(54) **RECEPTACLE**
(71) Applicant: **ABBOTT LABORATORIES**, Abbott Park, IL (US)
(72) Inventors: **Jason Middleton**, Dublin, OH (US); **Spencer Beaufore**, Dublin, OH (US); **Jeremy McBroom**, Columbus, OH (US)
(73) Assignee: **ABBOTT LABORATORIES**, Abbott Park, IL (US)

D308,340 S 6/1990 Ilsen
D311,334 S 10/1990 Flynn
D326,391 S 5/1992 Verchere
D329,930 S 9/1992 Delmerico
D336,017 S 6/1993 Smith
D342,609 S 12/1993 Brightbill
D347,113 S * 5/1994 Bornhorst D3/272
D351,090 S 10/1994 Narsutis
D351,790 S * 10/1994 Haindl D11/152
D360,898 S 8/1995 Huerto
D372,401 S 8/1996 Lillelund
5,718,350 A 2/1998 Williams
(Continued)

(**) Term: **15 Years**

FOREIGN PATENT DOCUMENTS

(21) Appl. No.: **29/592,525**

EP 2030908 3/2009
WO 2010141841 12/2010

(22) Filed: **Jan. 31, 2017**

OTHER PUBLICATIONS

Related U.S. Application Data

Zojirushi America Corporation Ms. Bento® Stainless Lunch Jar SL-NCE09 Instruction Manual (4 pages).
(Continued)

(62) Division of application No. 29/507,752, filed on Oct. 30, 2014, now Pat. No. Des. 781,700.

(51) **LOC (10) Cl.** **09-03**

Primary Examiner — Vy N Koenig

(52) **U.S. Cl.**
USPC **D9/424**; D9/434

(74) *Attorney, Agent, or Firm* — Calfee Halter & Griswold LLP

(58) **Field of Classification Search**
USPC D9/414–419, 420–424, 430–434, 614, D9/621–624, 721–722; D3/272–274, D3/290, 304, 305, 315
CPC B65D 5/00; B65D 5/0015; B65D 5/061; B65D 5/18; B65D 5/20; B65D 5/32; B65D 5/321; B65D 5/322
See application file for complete search history.

(57) **CLAIM**

We claim the ornamental design for a receptacle, as shown and described.

(56) **References Cited**

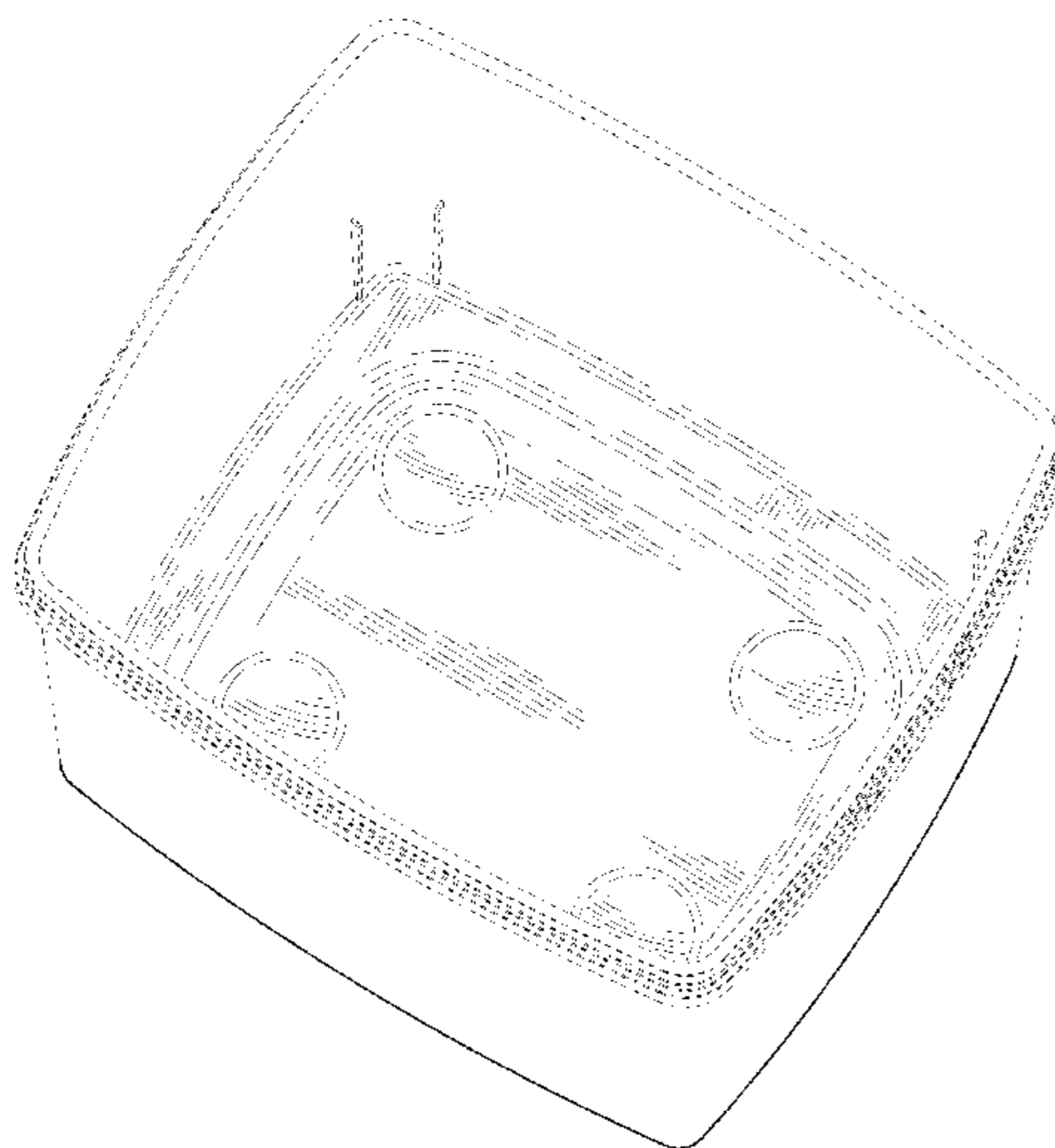
DESCRIPTION

U.S. PATENT DOCUMENTS

FIG. 1 is a top perspective view of a receptacle showing our new design;
FIG. 2 is a bottom perspective of the receptacle of FIG. 1;
FIG. 3 is a top view of the receptacle of FIG. 1; and,
FIG. 4 is a bottom view of the receptacle of FIG. 1.
The broken lines in the drawings depict portions of the receptacle that form no part of the claimed design.

2,780,259 A 2/1957 Nalle, Jr.
D197,243 S 12/1963 Ernest
D205,150 S 6/1966 Cornwell
D285,906 S 9/1986 Tyler

1 Claim, 3 Drawing Sheets



(56)

References Cited

U.S. PATENT DOCUMENTS

D396,133 S * 7/1998 Stein D28/73
 D416,797 S 11/1999 Rabe
 D418,055 S 12/1999 Veto
 D441,599 S 5/2001 Garber
 D451,765 S 12/2001 Israel
 D473,789 S 4/2003 Crawford
 D477,912 S * 8/2003 Cunningham D3/273
 D484,797 S 1/2004 Kipperman
 D493,073 S 7/2004 Kim
 D540,039 S 4/2007 Van Beuningen et al.
 D547,177 S 7/2007 Sherman
 D548,538 S * 8/2007 Liu D7/629
 D553,980 S 10/2007 VerWeyst
 7,350,789 B2 4/2008 Uffner
 D575,100 S * 8/2008 Liu D7/392.1
 D576,035 S 9/2008 Perry
 D578,757 S * 10/2008 Stevens D3/272
 D595,128 S 6/2009 Bouveret
 D602,255 S * 10/2009 Ahlgrim D3/304
 D620,746 S 8/2010 Hsiao
 D630,900 S 1/2011 Samartgis
 D645,748 S 9/2011 Sharma
 D649,839 S 12/2011 Stamper
 D654,690 S 2/2012 Sofy
 D667,699 S 9/2012 Brockington
 D669,778 S 10/2012 Houlton
 D675,477 S 2/2013 McGrath
 D676,739 S 2/2013 McGrath
 D682,045 S 5/2013 Myoung
 D682,046 S 5/2013 Myoung
 D682,047 S 5/2013 Myoung
 8,511,499 B2 8/2013 Perry et al.
 D697,762 S 1/2014 Carlson
 D702,509 S 4/2014 Segal
 D719,731 S 12/2014 Burgess
 D721,491 S * 1/2015 Wang D3/273
 D732,879 S 6/2015 Miles
 D733,320 S 6/2015 Perry
 D741,171 S * 10/2015 Thurin D7/629
 D741,665 S 10/2015 Bagley
 D760,073 S * 6/2016 Mather D9/432

D772,659 S * 11/2016 Middleton D7/629
 D778,152 S 2/2017 Middleton et al.
 D781,700 S * 3/2017 Middleton D9/424
 2004/0144781 A1 * 7/2004 Dees B65D 11/188
 2006/0076352 A1 4/2006 Peterson
 2008/0041861 A1 2/2008 Crawford et al.
 2010/0308065 A1 12/2010 Vandamme et al.
 2011/0192847 A1 8/2011 Vandamme et al.
 2011/0315686 A1 12/2011 Siddiqui et al.
 2012/0000925 A1 1/2012 Dols et al.
 2012/0048874 A1 * 3/2012 Oakes A47J 47/14
 2012/0061413 A1 3/2012 Dols et al.
 2014/0097183 A1 4/2014 McGrath et al.
 220/4.24
 220/839

OTHER PUBLICATIONS

Restriction Requirement from from U.S. Appl. No. 29/507,751 dated Dec. 1, 2015.
 Response to Restriction Requirement from from U.S. Appl. No. 29/507,751 dated Feb. 1, 2016.
 Notice of Allowance from U.S. Appl. No. 29/507,751 dated Feb. 18, 2016.
 Notice of Allowance from U.S. Appl. No. 29/507,751 dated Jul. 14, 2016.
 Notice of Allowance from U.S. Appl. No. 29/507,751 dated Aug. 23, 2016.
 Restriction Requirement from from U.S. Appl. No. 29/507,750 dated Mar. 2, 2016.
 Notice of Allowance from from U.S. Appl. No. 29/507,750 dated Jul. 15, 2016.
 Response to Restriction Requirement from from U.S. Appl. No. 29/507,752 dated Jul. 18, 2016.
Ex Parte Quayle Office Action from U.S. Appl. No. 29/507,752 dated Jul. 29, 2016.
 Response After *Ex Parte Quayle* Action from U.S. Appl. No. 29/507,752 dated Sep. 29, 2016.
 Notice of Allowance from U.S. Appl. No. 29/507,752 dated Nov. 3, 2016.
 Office Action from U.S. Appl. No. 29/522,201 dated May 18, 2016.

* cited by examiner

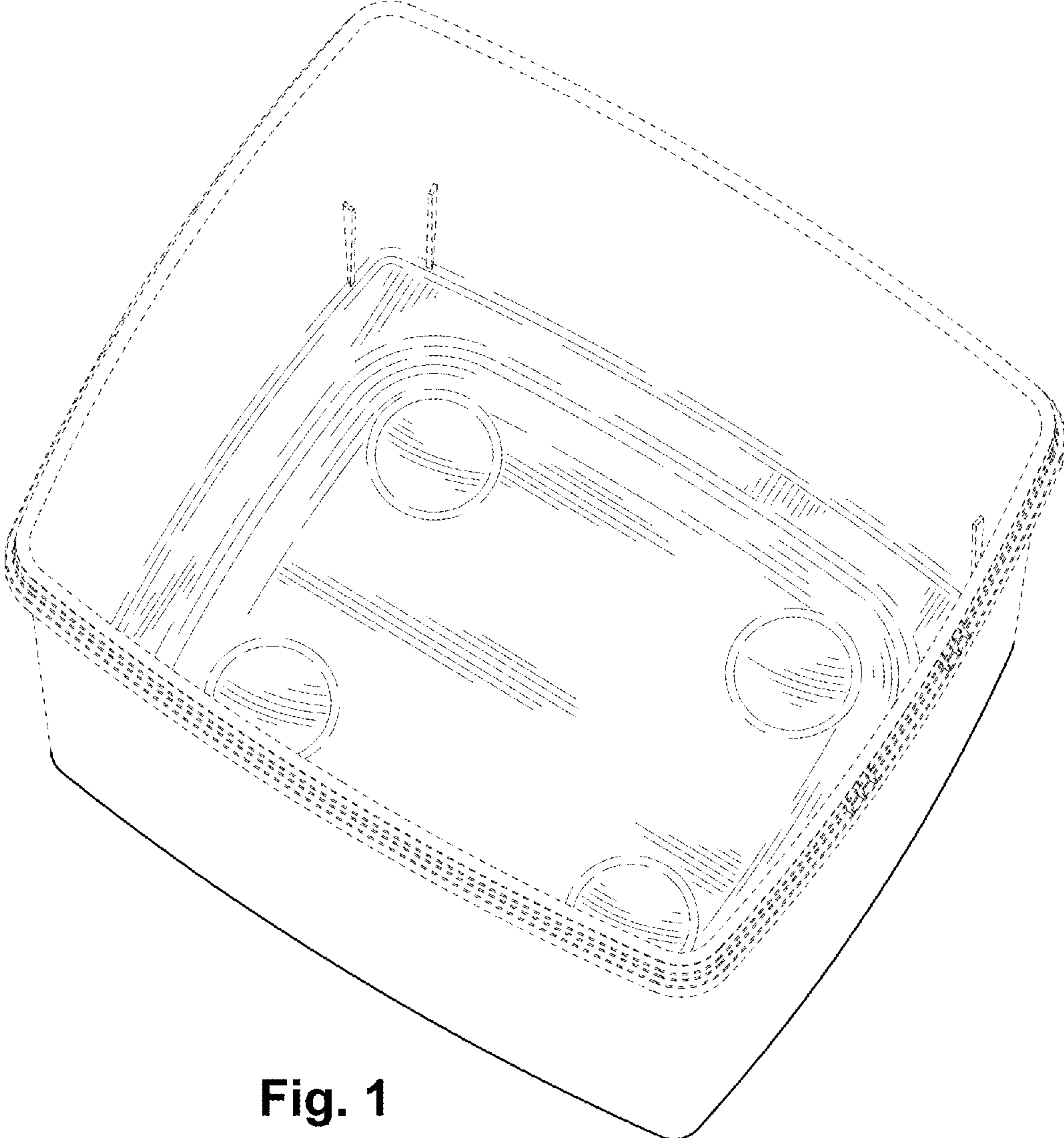


Fig. 1

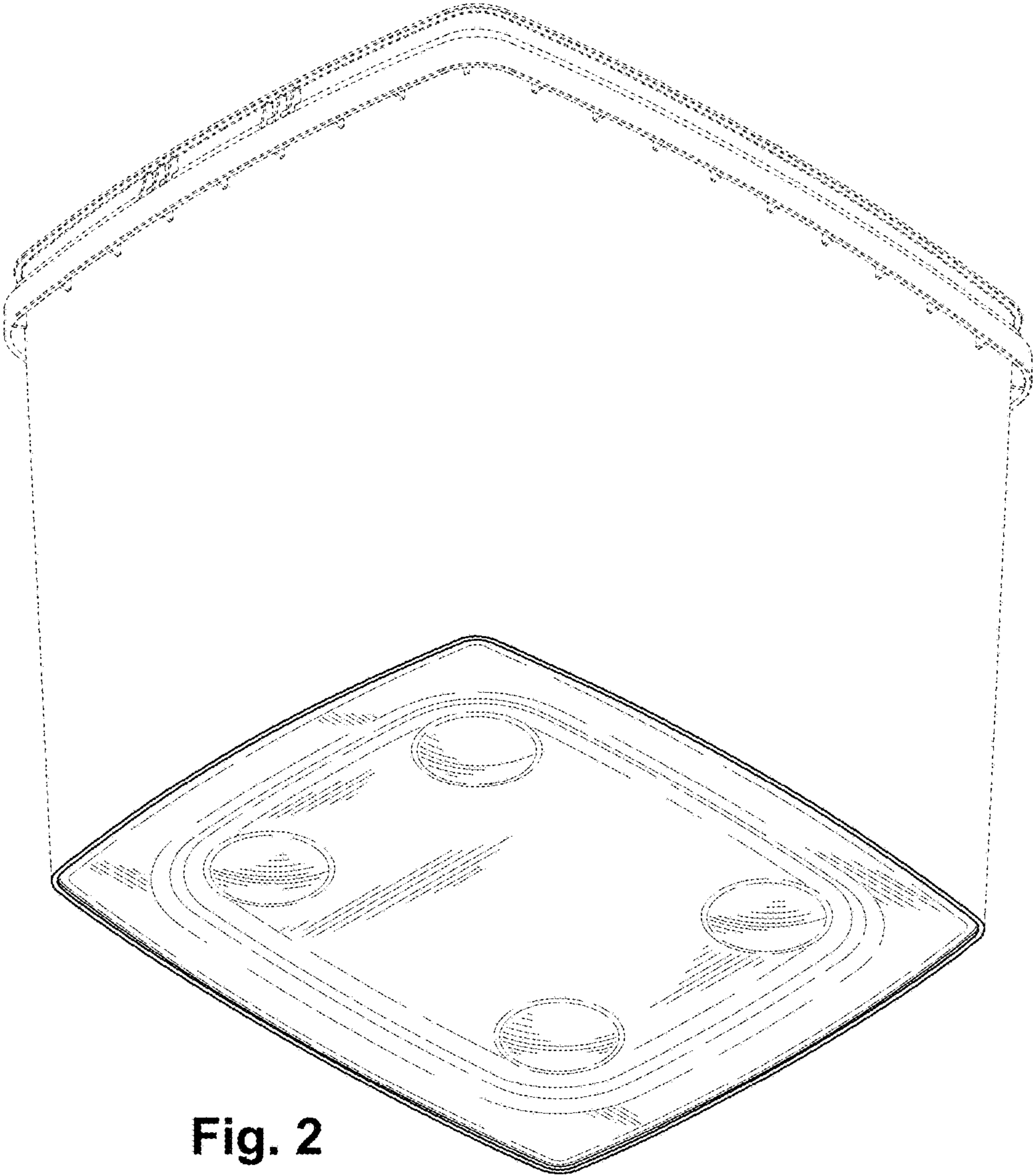


Fig. 2

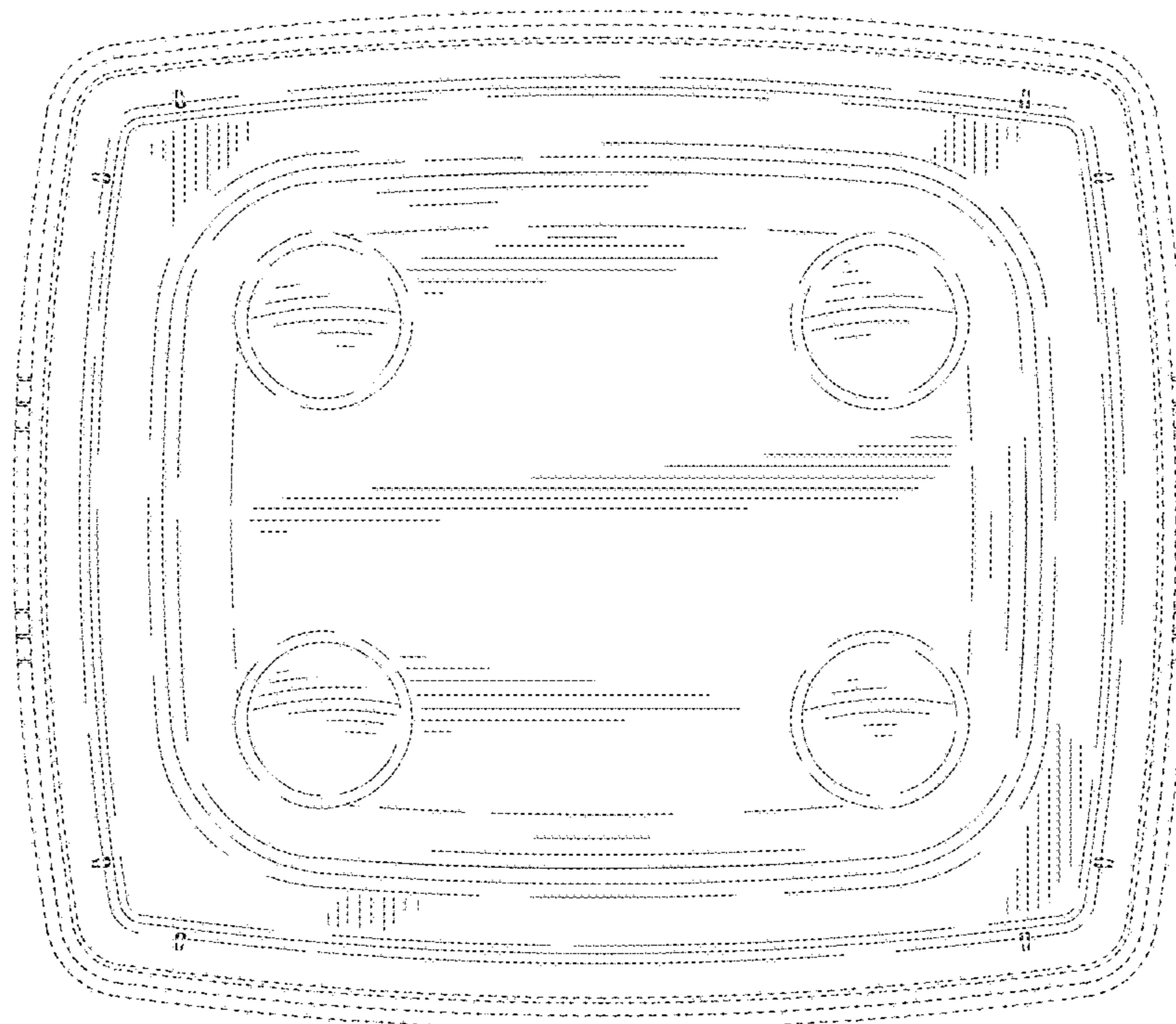


Fig. 3

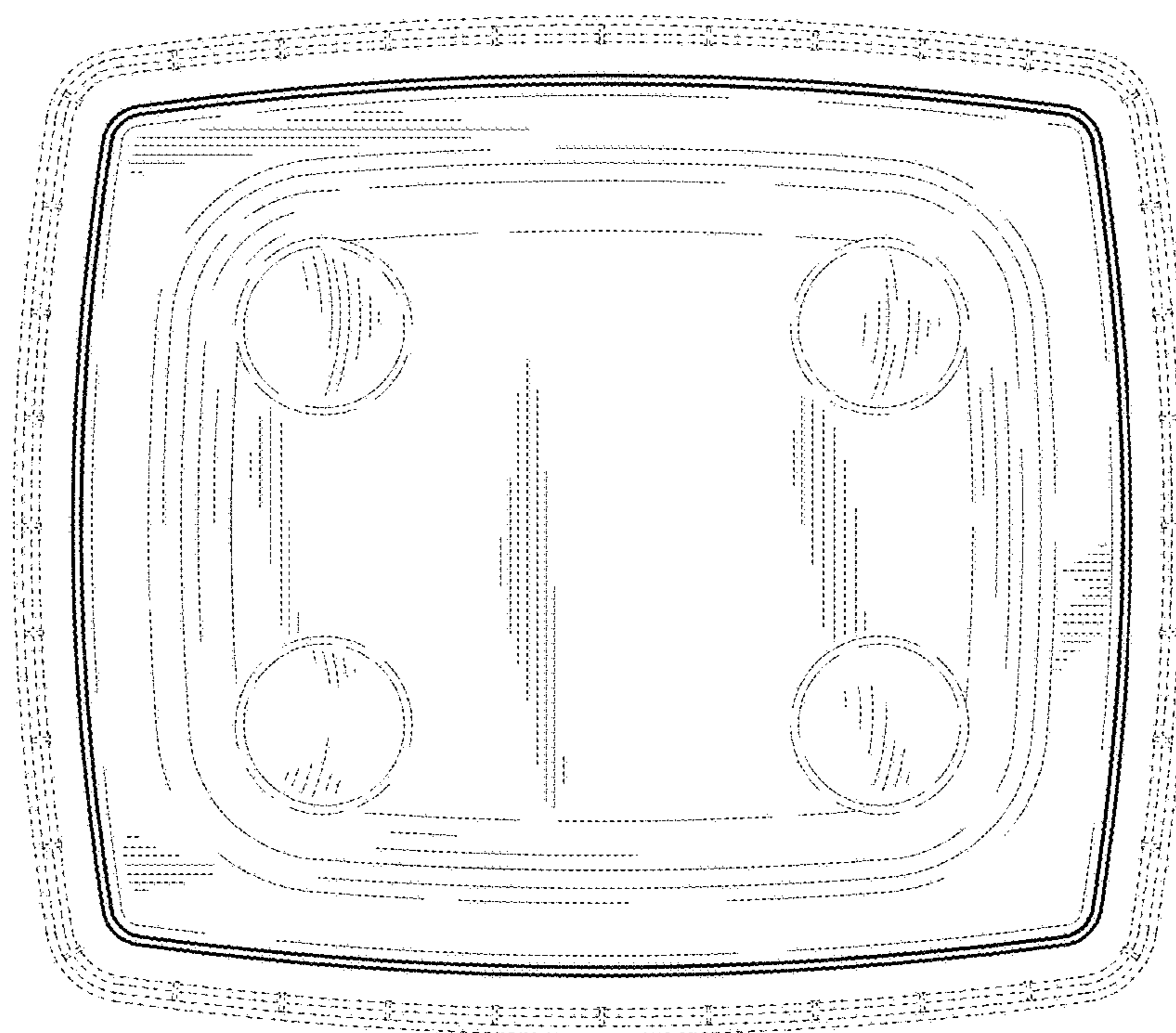


Fig. 4