



US00D803674S

(12) **United States Design Patent** (10) **Patent No.:** **US D803,674 S**  
**Carnevali** (45) **Date of Patent:** **\*\* Nov. 28, 2017**

(54) **MOUNTING DEVICE**  
(71) Applicant: **National Products, Inc.**, Seattle, WA (US)  
(72) Inventor: **Jeffrey D. Carnevali**, Seattle, WA (US)  
(73) Assignee: **National Products, Inc.**, Seattle, WA (US)

1,509,068 A 9/1924 Herron  
1,934,223 A 11/1933 Booth  
2,114,767 A 4/1938 Hodny et al.  
2,121,317 A 6/1938 Cohen  
D142,057 S \* 8/1945 Baxter ..... D23/265  
2,560,556 A 7/1951 Creedon  
2,650,788 A 9/1953 Hulstein  
2,710,609 A 6/1955 Giller  
2,723,823 A 11/1955 Polk  
2,752,173 A \* 6/1956 Krooss ..... F16L 17/04  
285/232

(\*\*) Term: **15 Years**

(Continued)

(21) Appl. No.: **29/573,339**

*Primary Examiner* — Sandra Snapp  
*Assistant Examiner* — Ieisha Price

(22) Filed: **Aug. 4, 2016**

(74) *Attorney, Agent, or Firm* — Lowe Graham Jones PLLC; Bruce E. Black

(51) **LOC (10) Cl.** ..... **08-08**

(52) **U.S. Cl.**  
USPC ..... **D8/382**

(57) **CLAIM**

(58) **Field of Classification Search**  
USPC ..... D8/14, 71, 72, 106, 349, 354, 355, 373, D8/380, 382, 394, 396, 499; D23/359, D23/262, 265, 303, 386; D12/223, 106, D12/114  
CPC ..... F16L 3/00; F16L 3/1033; F16L 3/1016; F16L 3/105; F16L 3/1075; F16L 3/1083; F16L 3/1091; F16M 11/14; E04H 17/24  
See application file for complete search history.

The ornamental design for a mounting device, as shown and described.

**DESCRIPTION**

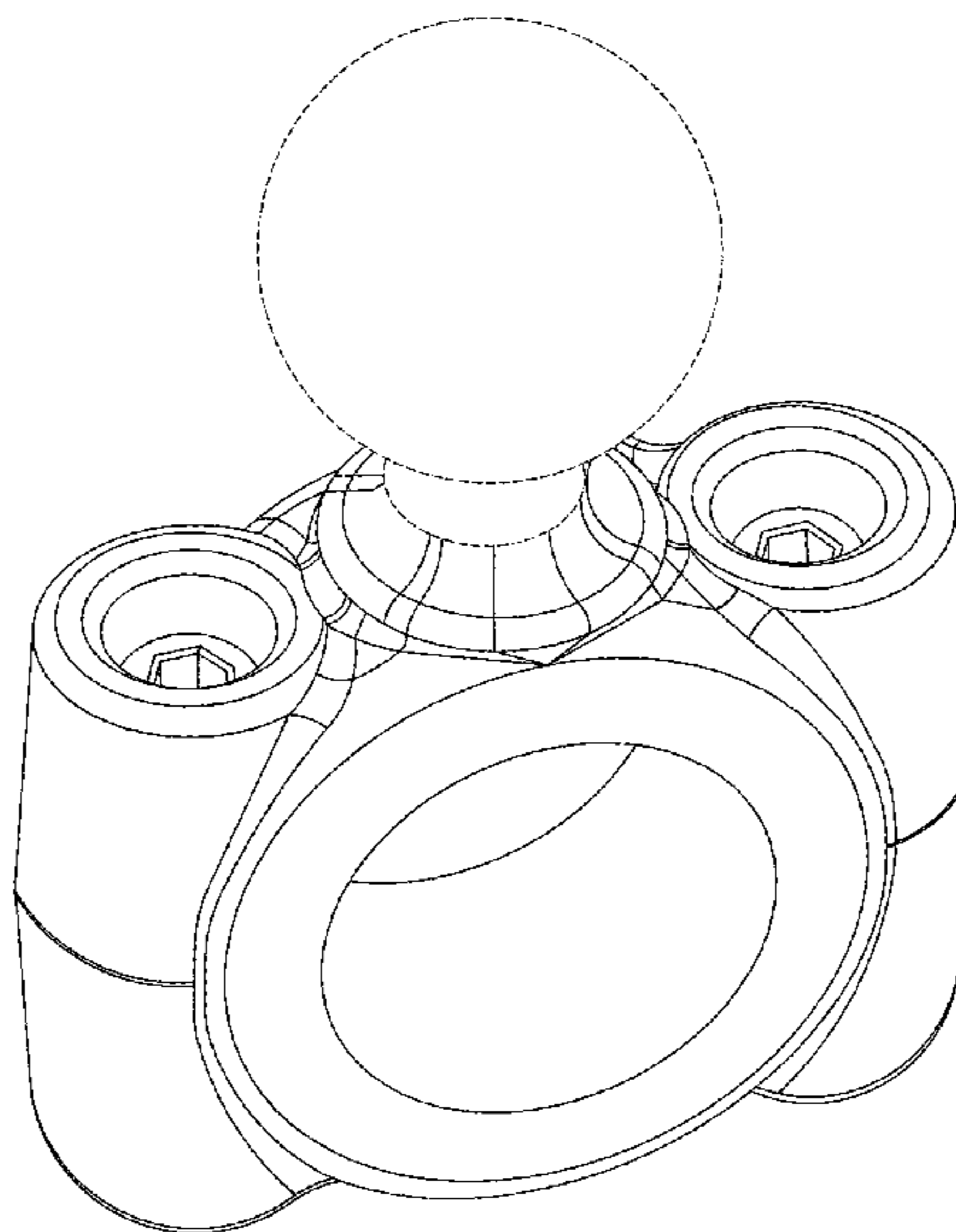
(56) **References Cited**

U.S. PATENT DOCUMENTS

180,881 A 8/1876 Howson  
538,534 A 4/1895 Neill  
596,729 A 1/1898 White  
855,149 A 5/1907 Vaughn et al.  
890,656 A 6/1908 Johnson  
892,105 A 6/1908 White  
958,052 A 5/1910 Williams  
1,009,913 A 11/1911 Maguire et al.  
1,280,013 A 9/1918 Goddard  
1,359,645 A 11/1920 Zink  
1,455,441 A 5/1923 Hodny

FIG. 1 is a top right perspective view showing a mounting device according to the invention;  
FIG. 2 is a left or right side elevational view showing the mounting device of FIG. 1;  
FIG. 3 is a front elevational view showing the mounting device of FIG. 1;  
FIG. 4 is a top plan view showing the mounting device of FIG. 1;  
FIG. 5 is a bottom plan view showing the mounting device of FIG. 1; and,  
FIG. 6 is a bottom right perspective view showing the mounting device of FIG. 1.  
In FIGS. 1-6, the broken lines represent at least one of the following features: a ball or sphere and a neck or extension connecting the ball to the mount, and respectively, these identified features form no part of the claimed design.

**1 Claim, 6 Drawing Sheets**



(56)

References Cited

U.S. PATENT DOCUMENTS

2,861,501 A	11/1958	Stelakos		D590,696 S	4/2009	Carnevali	
3,096,061 A	7/1963	Bertell		7,523,904 B2	4/2009	Carnevali	
3,843,272 A	10/1974	Jorn		7,551,458 B2	6/2009	Carnevali	
4,060,241 A	11/1977	Hegel		7,571,522 B2	8/2009	Carnevali	
4,060,331 A	11/1977	Domer et al.		7,607,622 B2	10/2009	Carnevali	
4,066,231 A	1/1978	Bahner		7,682,543 B2	3/2010	Carnevali	
4,066,311 A	1/1978	Poulson		7,731,140 B2	6/2010	Carnevali	
D247,420 S *	3/1978	Reynolds	D8/373	7,774,973 B2	8/2010	Carnevali	
4,222,680 A	9/1980	Browning		D629,080 S *	12/2010	Dole	D23/262
4,225,258 A	9/1980	Thompson		7,849,630 B2	12/2010	Carnevali	
4,307,864 A	12/1981	Benoit		7,850,133 B2	12/2010	Carnevali	
4,461,284 A	7/1984	Fackler		RE42,060 E	1/2011	Carnevali	
4,491,435 A	1/1985	Meier		7,887,018 B2	2/2011	Carnevali	
4,585,197 A	4/1986	Liautaud et al.		7,950,701 B2 *	5/2011	Dole	F16L 17/04 285/253
4,611,839 A *	9/1986	Rung	F16L 17/04 24/279	7,954,773 B2	6/2011	Carnevali	
4,620,813 A	11/1986	Lacher		7,975,971 B2	7/2011	Carnevali	
4,796,508 A	1/1989	Hoshino		RE42,581 E	8/2011	Carnevali	
4,800,795 A	1/1989	Yamashita		7,988,106 B2	8/2011	Carnevali	
4,842,308 A	6/1989	Spotts		8,020,828 B2	9/2011	Carnevali	
4,872,630 A	10/1989	Cooper		8,037,904 B2	10/2011	Carnevali	
5,071,279 A	12/1991	Rutstrom		8,156,681 B2	4/2012	Carnevali	
5,092,551 A	3/1992	Meier		8,201,788 B2	6/2012	Carnevali	
5,109,321 A	4/1992	Maglica et al.		8,235,340 B2	8/2012	Carnevali	
5,118,058 A	6/1992	Richter		RE43,806 E	11/2012	Carnevali	
5,251,859 A	10/1993	Cyrell et al.		8,454,178 B2	6/2013	Carnevali	
5,270,911 A	12/1993	Maglica et al.		8,505,861 B2	8/2013	Carnevali	
5,419,522 A	5/1995	Luecke et al.		8,590,855 B2	11/2013	Carnevali	
5,441,225 A	8/1995	Hall		9,180,925 B2	11/2015	Carnevali	
5,564,668 A	10/1996	Crowe, II		9,253,970 B2	2/2016	Carnevali	
5,845,885 A	12/1998	Carnevali		2005/0092876 A1	5/2005	Carnevali	
6,173,926 B1 *	1/2001	Elvegaard	F16L 3/1075 248/68.1	2006/0000957 A1	1/2006	Carnevali	
6,561,476 B2	5/2003	Carnevali		2006/0102823 A1	5/2006	Carnevali	
6,581,892 B2	6/2003	Carnevali		2008/0115344 A1	5/2008	Carnevali	
6,666,420 B1	12/2003	Carnevali		2008/0296334 A1	12/2008	Carnevali	
7,090,181 B2	8/2006	Biba et al.		2009/0108151 A1	4/2009	Carnevali	
D539,639 S *	4/2007	Nagle	D8/396	2009/0108152 A1	4/2009	Carnevali	
7,277,240 B2	10/2007	Carnevali		2009/0140112 A1	6/2009	Carnevali	
7,320,450 B2	1/2008	Carnevali		2010/0282802 A1	11/2010	Carnevali	
D563,781 S	3/2008	Carnevali		2010/0284199 A1	11/2010	Carnevali	
D564,062 S	3/2008	Carnevali		2011/0097177 A1	4/2011	Carnevali	
7,422,184 B2	9/2008	Carnevali		2012/0006948 A1 *	1/2012	Hiss	H02G 3/32 248/74.1
D588,903 S	3/2009	Carnevali		2012/0217353 A1 *	8/2012	Hennon	F16L 3/1091 248/67.5
D589,327 S	3/2009	Carnevali		2014/0034794 A1	2/2014	Carnevall	
				2015/0030386 A1	1/2015	Carnevali	

\* cited by examiner

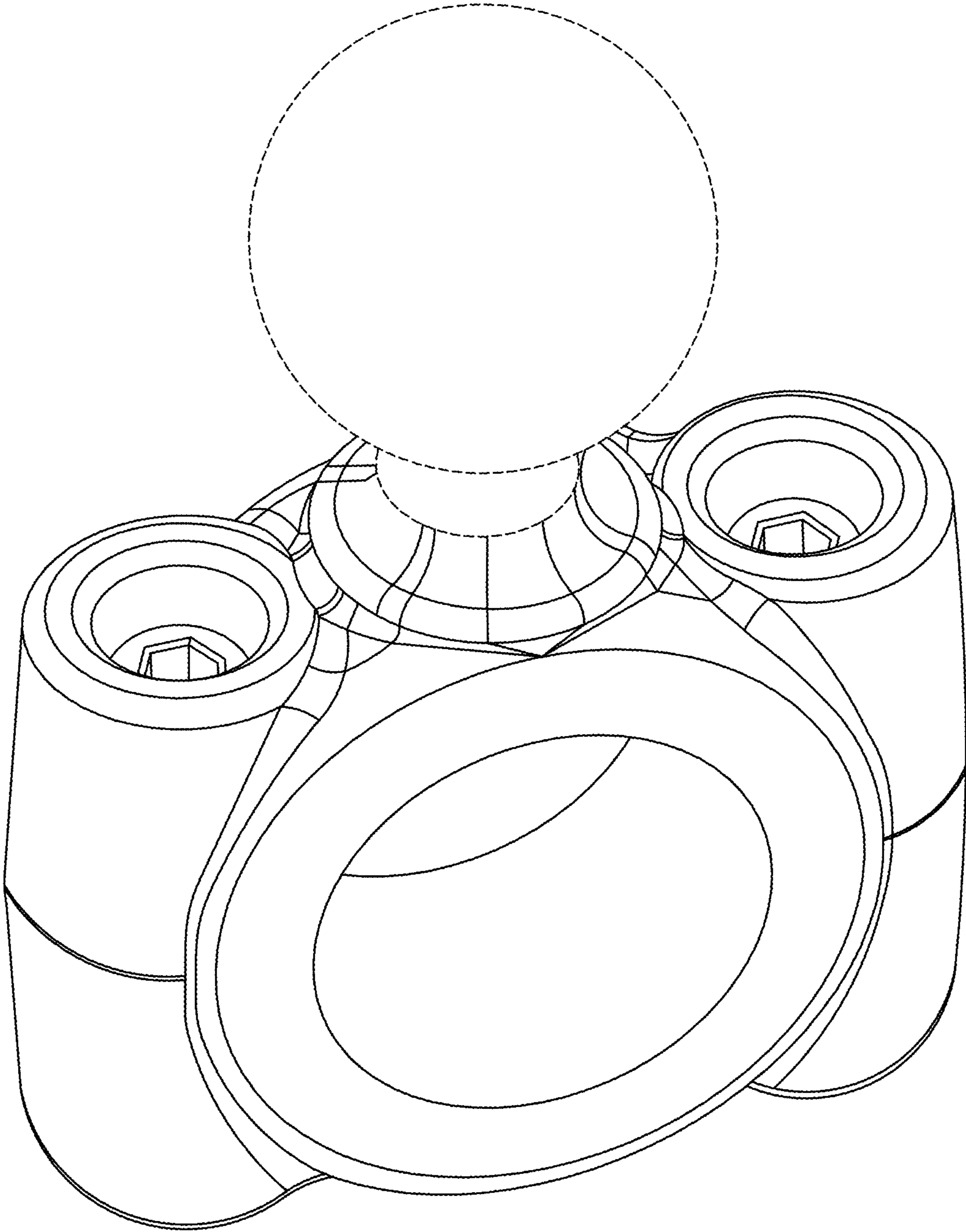


FIG. 1

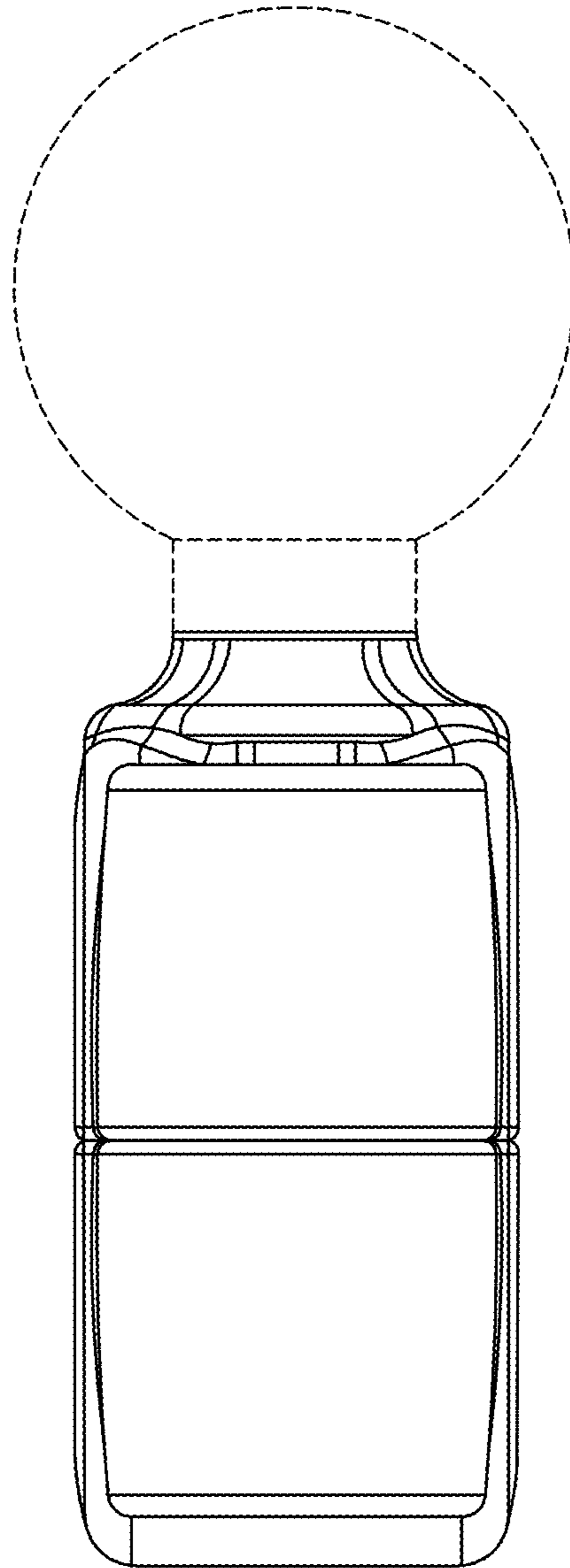


FIG. 2



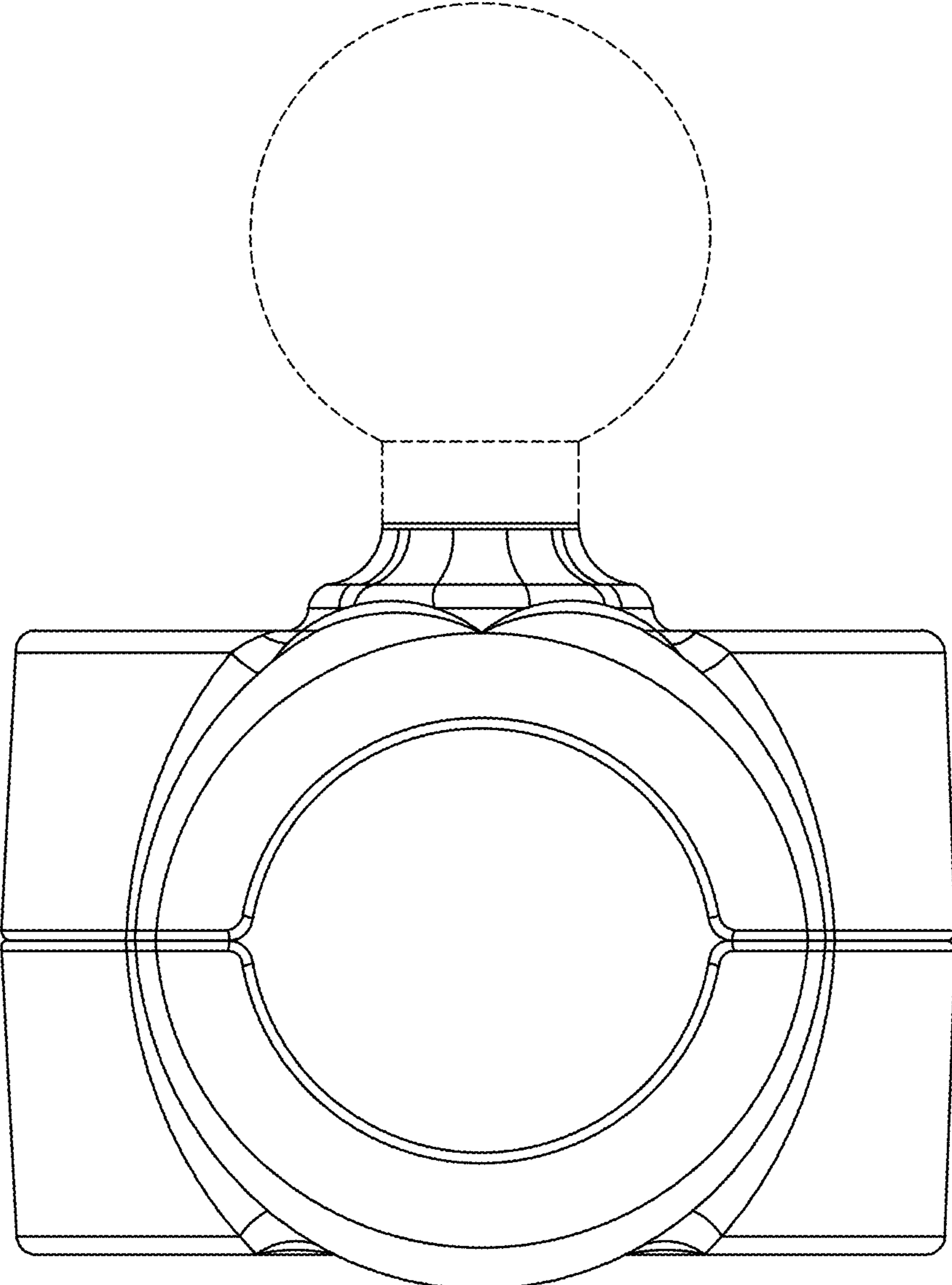


FIG. 3

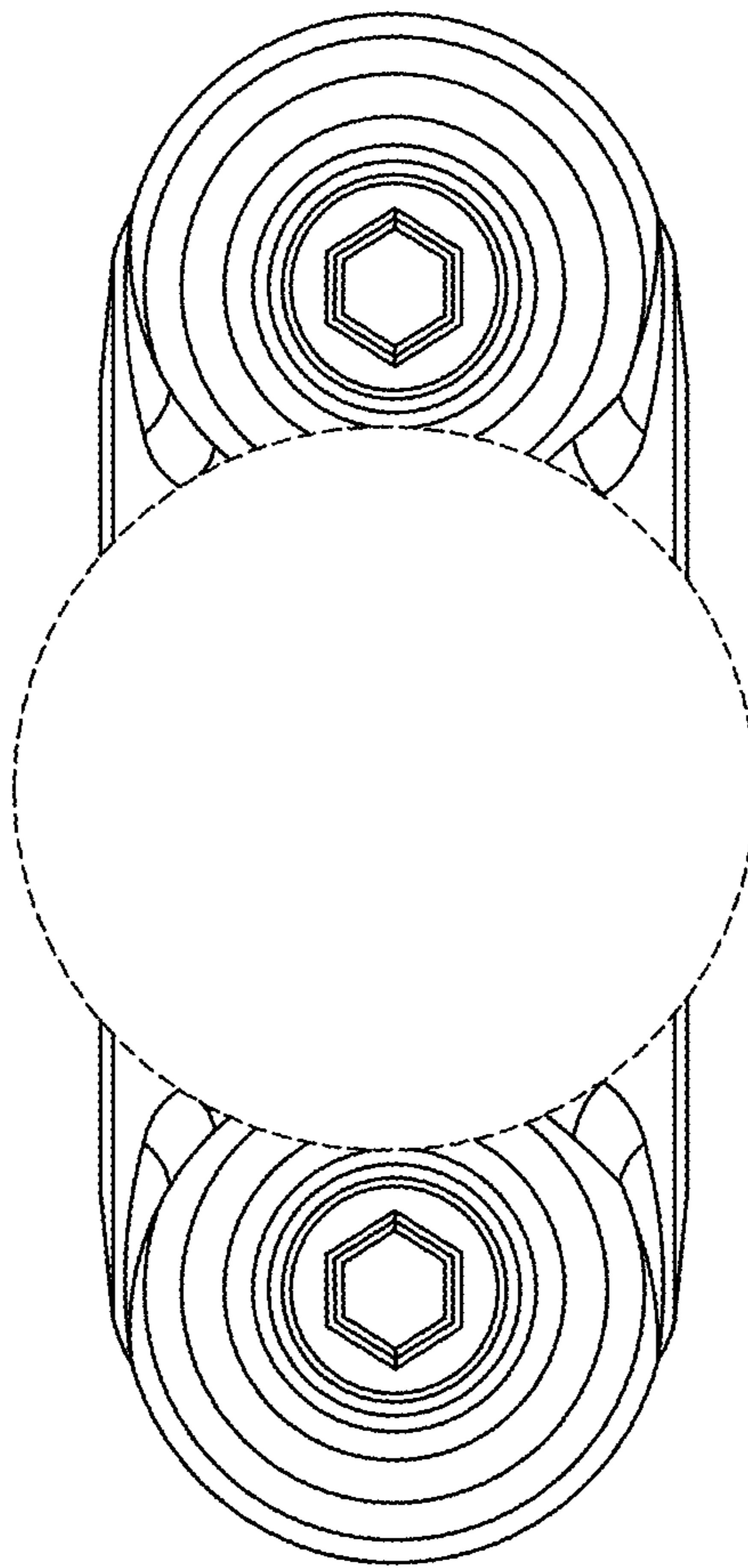


FIG. 4

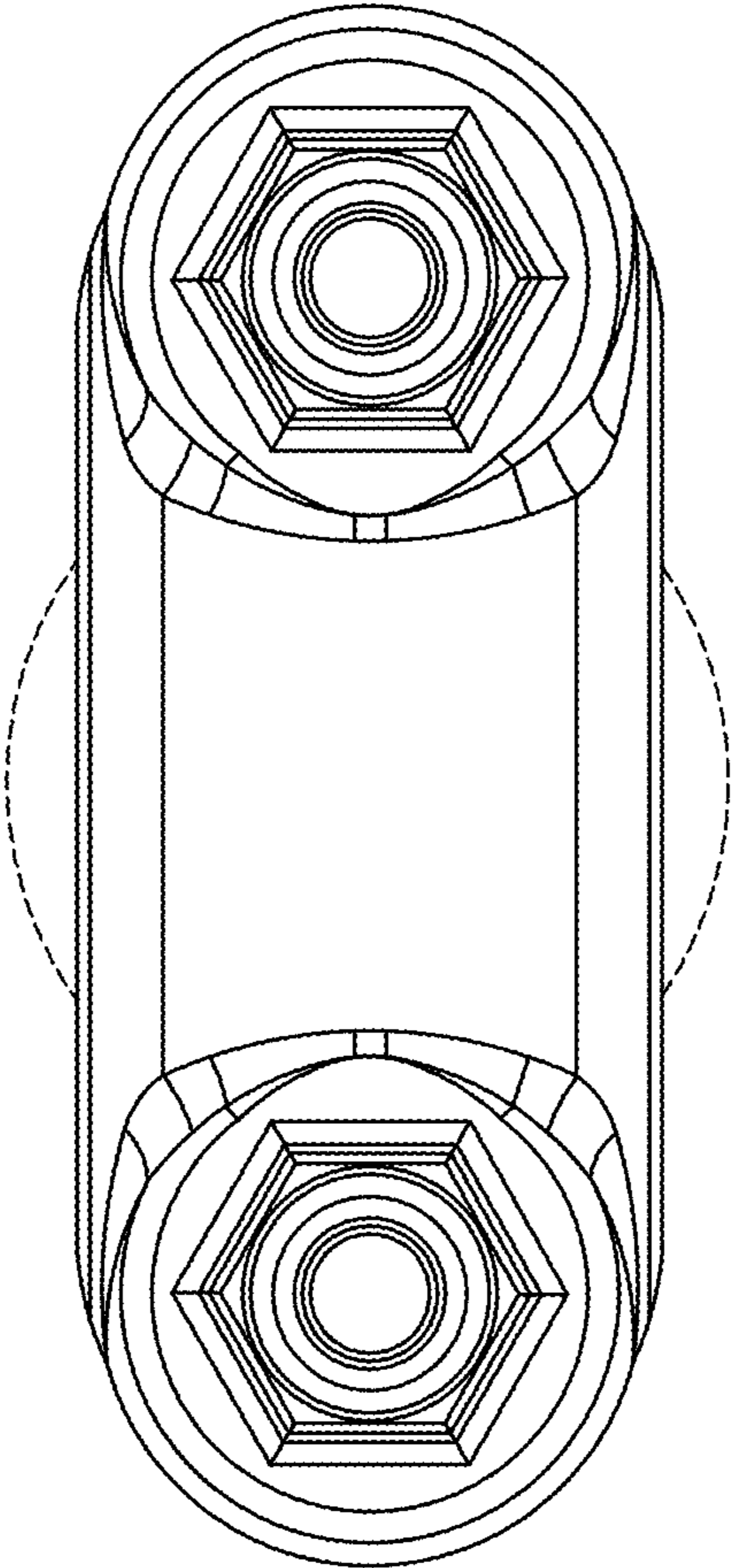


FIG. 5

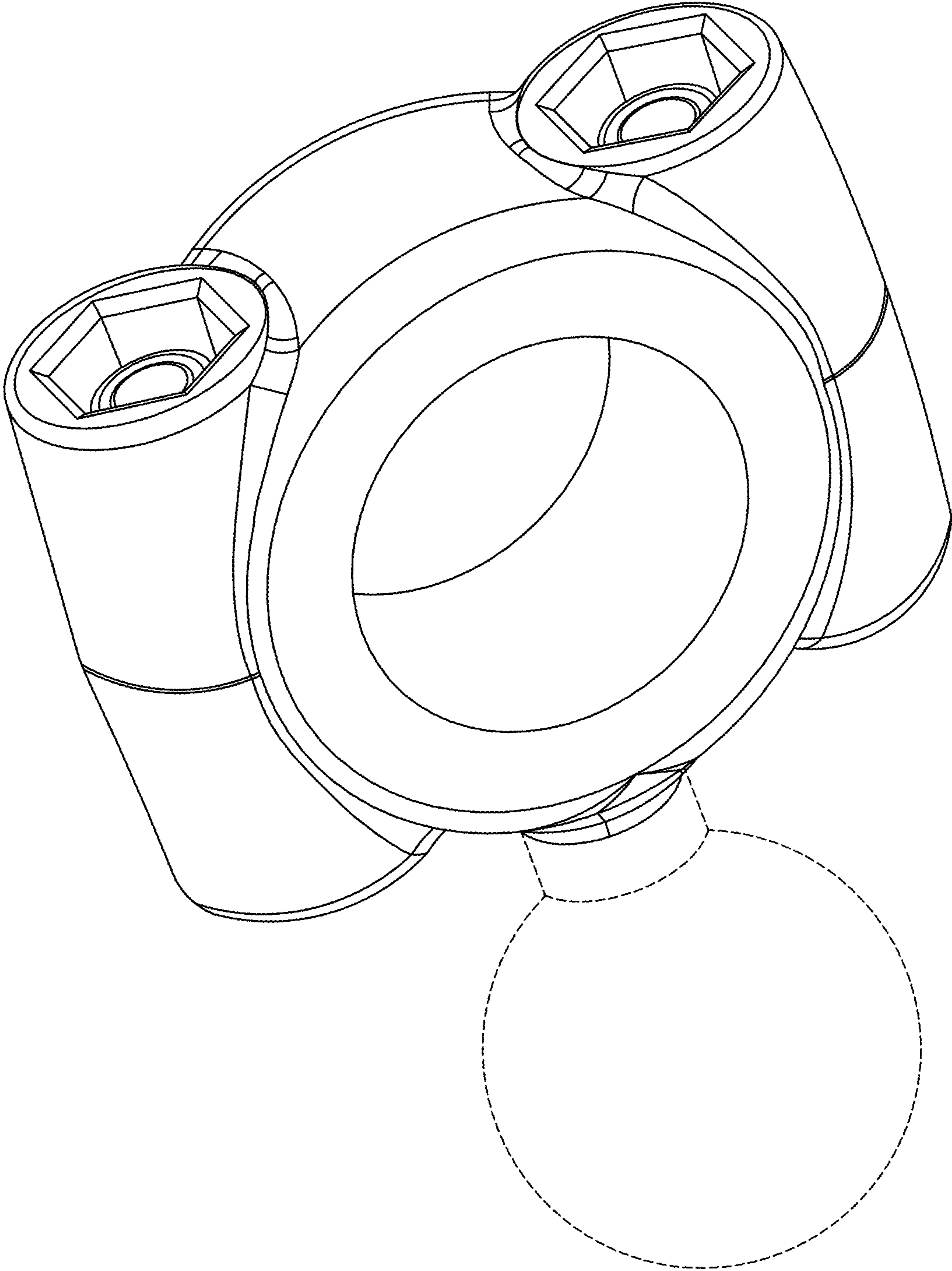


FIG. 6