



US00D803673S

(12) **United States Design Patent** (10) **Patent No.:** **US D803,673 S**  
**Espinosa et al.** (45) **Date of Patent:** **\*\* Nov. 28, 2017**

(54) **T-CONNECTOR FOR A CLOSET STORAGE ASSEMBLY**

(71) Applicant: **Clairson, Inc.**, Newark, DE (US)

(72) Inventors: **Edward S. Espinosa Espinosa**, Ocala, FL (US); **Stephen E. Watkins**, Morrison, FL (US); **Ernie Torres**, Gainesville, FL (US); **Emily C. Burgoyne**, Ocala, FL (US)

(73) Assignee: **Clairson, Inc.**, Newark, DE (US)

(\*\*) Term: **15 Years**

(21) Appl. No.: **29/572,857**

(22) Filed: **Aug. 1, 2016**

**Related U.S. Application Data**

(60) Division of application No. 29/514,430, filed on Jan. 13, 2015, now Pat. No. Des. 762,463, which is a (Continued)

(51) **LOC (10) Cl.** ..... **08-08**

(52) **U.S. Cl.**  
USPC ..... **D8/382**

(58) **Field of Classification Search**  
USPC ..... D8/349, 394, 396, 380, 381, 382, 499;  
D23/262, 263, 265; D6/328, 702, 553,  
D6/567, 572; D25/68  
(Continued)

(56) **References Cited**

**U.S. PATENT DOCUMENTS**

692,529 A 2/1902 Knittle  
833,746 A 10/1906 Lyle  
(Continued)

**FOREIGN PATENT DOCUMENTS**

EP 2204520 7/2010  
FR 2959921 11/2011  
(Continued)

**OTHER PUBLICATIONS**

Notice of Allowance dated Oct. 7, 2016, issued in U.S. Appl. No. 14/592,268; which the instant application claims priority to; 16 pgs.

*Primary Examiner* — Sandra Snapp

*Assistant Examiner* — Ieisha Price

(74) *Attorney, Agent, or Firm* — Harness, Dickey & Pierce, P.L.C.

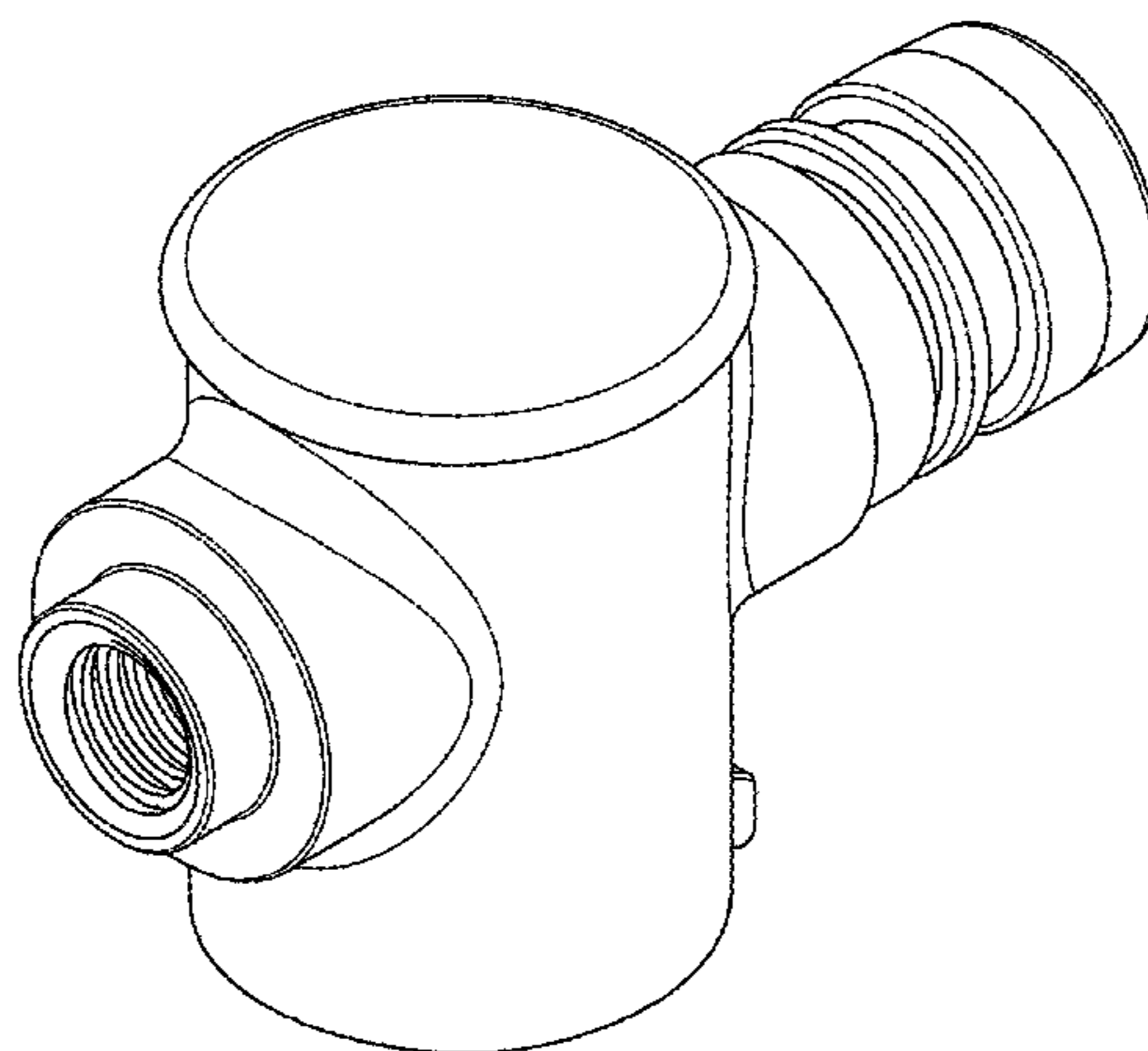
(57) **CLAIM**

The ornamental design for a T-connector for a closet storage assembly, as shown and described.

**DESCRIPTION**

FIG. 1 is perspective views of a T-connector for a closet storage assembly showing our new design;  
FIG. 2 is a second perspective views of a T-connector for a closet storage assembly showing our new design;  
FIG. 3 is a third perspective views of a T-connector for a closet storage assembly showing our new design;  
FIG. 4 is a forth perspective views of a T-connector for a closet storage assembly showing our new design;  
FIG. 5 is a front view of the T-connector for a closet storage assembly shown in FIG. 1;  
FIG. 6 is a back view of the T-connector for a closet storage assembly shown in FIG. 1;  
FIG. 7 is a right side view of the T-connector for a closet storage assembly shown in FIG. 1;  
FIG. 8 is a left side view of the T-connector for a closet storage assembly shown in FIG. 1;  
FIG. 9 is a top view of the T-connector for a closet storage assembly shown in FIG. 1;  
FIG. 10 is a bottom view of the T-connector for a closet storage assembly shown in FIG. 1;  
FIG. 11 is a perspective view showing the T-connector for closet storage assembly in its environment; and,  
FIG. 12 is a second perspective view showing the T-connector for closet storage assembly in its environment.

(Continued)



The details shown in broken lines in FIGS. 21 and 22 depict environmental subject matter only and form no part of the designs claimed.

**1 Claim, 9 Drawing Sheets**

**Related U.S. Application Data**

continuation-in-part of application No. 14/592,268, filed on Jan. 8, 2015, now Pat. No. 9,498,058.

(58) **Field of Classification Search**

CPC ..... A47B 57/54; A47B 57/545; A47B 61/003; A47B 47/0091; A47B 2230/14; A47B 61/00; A47B 96/145; A47B 61/04; A47B 96/14; A47B 96/06; A47B 96/024; F16B 12/40; F16B 2012/406; F16B 7/04; F16B 7/0486; Y10T 403/341

See application file for complete search history.

(56) **References Cited**

U.S. PATENT DOCUMENTS

986,725 A 3/1911 Kuntzedorf  
 1,096,282 A 5/1914 Boehm  
 1,347,808 A 7/1920 Franklin  
 1,563,186 A \* 11/1925 Haller ..... F16B 7/0486  
 403/174  
 1,868,037 A \* 7/1932 Weatherhead, Jr. .. B23P 11/005  
 235/31 R  
 1,963,981 A 6/1934 Garrett  
 2,460,622 A \* 2/1949 Crawley ..... F16L 41/021  
 285/125.1  
 2,839,320 A 6/1958 Hill  
 2,998,142 A 8/1961 Reed  
 3,021,159 A 2/1962 Back  
 3,081,882 A 3/1963 Magnuson  
 3,144,946 A 8/1964 Ellis  
 3,342,344 A 9/1967 Magnuson  
 3,515,319 A 6/1970 Furtak et al.  
 D218,204 S 7/1970 Schier et al.  
 3,765,634 A 10/1973 Stempel  
 3,820,909 A 6/1974 Schindler et al.  
 3,853,074 A 12/1974 Madey  
 D235,415 S \* 6/1975 Martini ..... D8/323  
 4,099,815 A 7/1978 Cox et al.  
 4,209,099 A 6/1980 Wickes  
 D258,003 S \* 1/1981 Gallagher ..... D23/263  
 D258,077 S \* 1/1981 Gallagher ..... D23/263  
 D258,078 S \* 1/1981 Gallagher ..... D23/263  
 D258,983 S \* 4/1981 Gallagher ..... D23/263

4,288,103 A \* 9/1981 Gallagher ..... F16L 43/001  
 285/179  
 4,312,551 A \* 1/1982 Mascolo ..... F16L 25/01  
 174/71 R  
 4,648,628 A \* 3/1987 Meadows ..... F16L 31/02  
 285/133.11  
 4,762,238 A 8/1988 Blanchard  
 4,864,795 A 9/1989 Burg  
 5,027,962 A 7/1991 Maccarrone  
 5,257,794 A 11/1993 Nakamura  
 D347,377 S 5/1994 Nakamura et al.  
 D355,589 S \* 2/1995 Kuwata ..... D8/382  
 D355,590 S 2/1995 Kuwata  
 5,492,295 A 2/1996 Remmers  
 5,503,312 A 4/1996 Kassner  
 D371,431 S 7/1996 Streit  
 D374,607 S 10/1996 Shoda  
 D397,210 S 8/1998 Evans  
 D400,428 S \* 11/1998 Sabounjian ..... D8/382  
 D418,396 S 1/2000 Hirano et al.  
 D423,921 S \* 5/2000 Richter ..... D8/396  
 6,116,437 A \* 9/2000 Rowe ..... F28D 1/04  
 211/119.008  
 D454,295 S \* 3/2002 Hallgrimsson ..... D8/380  
 6,565,279 B1 5/2003 Skovronski et al.  
 D480,298 S 10/2003 Skovronski et al.  
 D482,956 S 12/2003 Pyron  
 D490,505 S \* 5/2004 Clivio ..... D23/262  
 7,017,299 B1 \* 3/2006 Speed ..... A01G 9/12  
 47/21.1  
 7,062,836 B1 6/2006 Sorgi  
 D596,581 S \* 7/2009 Amidon ..... D13/133  
 7,717,475 B2 \* 5/2010 Savelle, Jr. .... F16L 33/24  
 285/179  
 D644,305 S \* 8/2011 White ..... D23/266  
 D670,750 S \* 11/2012 Chien ..... D16/130  
 D720,604 S \* 1/2015 McGrath ..... D8/354  
 D758,833 S \* 6/2016 Stites, Jr. .... D8/380  
 D783,390 S \* 4/2017 Nelson ..... D8/349  
 2004/0101354 A1 5/2004 Nakahori et al.  
 2006/0144805 A1 \* 7/2006 Wang ..... A47B 57/04  
 211/37  
 2008/0135509 A1 6/2008 Jackson  
 2010/0092236 A1 4/2010 Kang  
 2012/0087719 A1 4/2012 Rixen et al.  
 2012/0223518 A1 9/2012 Yoshino  
 2016/0198849 A1 \* 7/2016 Espinosa ..... A47B 61/003  
 108/29

FOREIGN PATENT DOCUMENTS

JP 5380297 B2 1/2014  
 WO WO2004/093603 11/2004  
 WO WO2009/057200 5/2009

\* cited by examiner

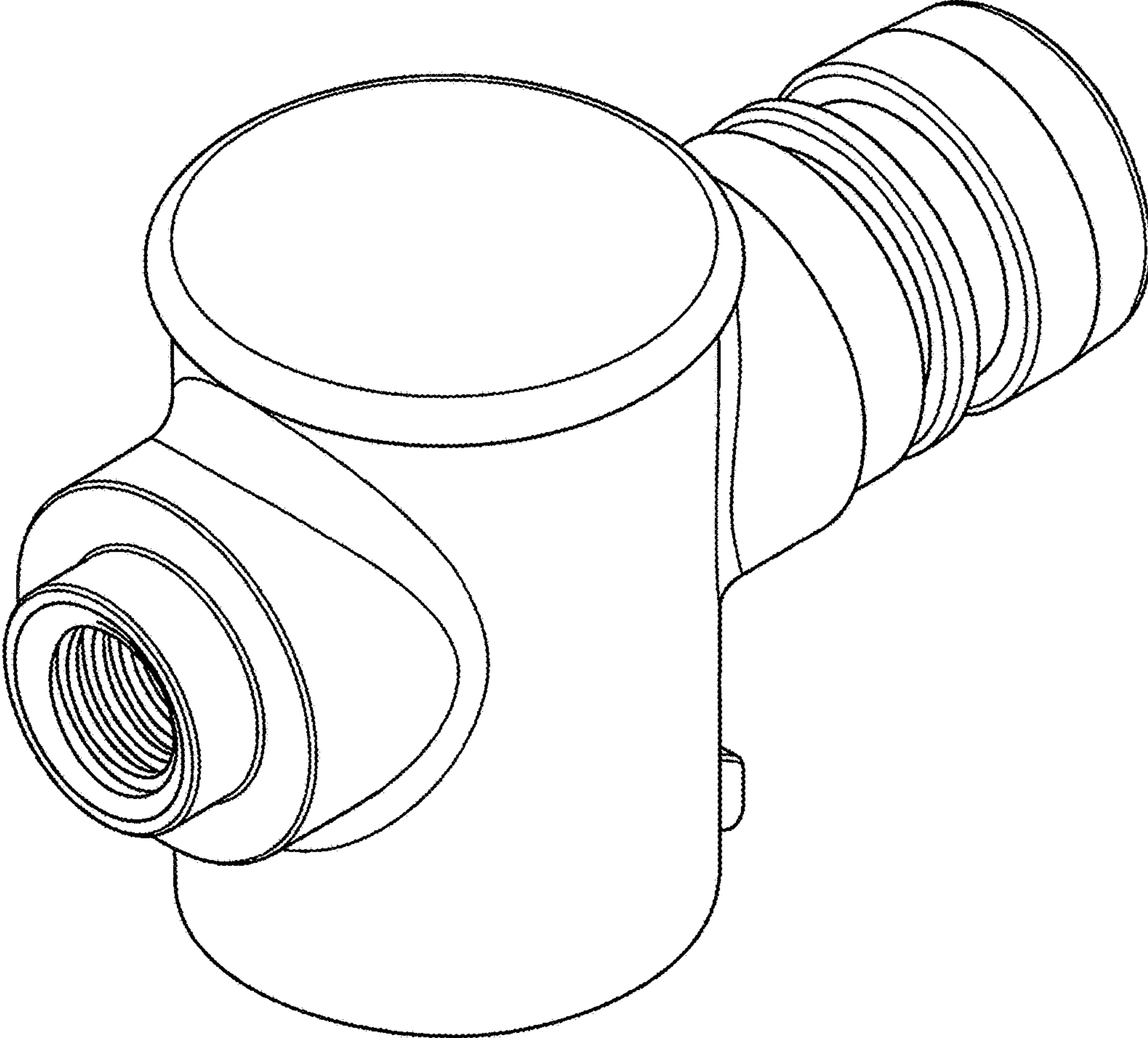


FIG. 1



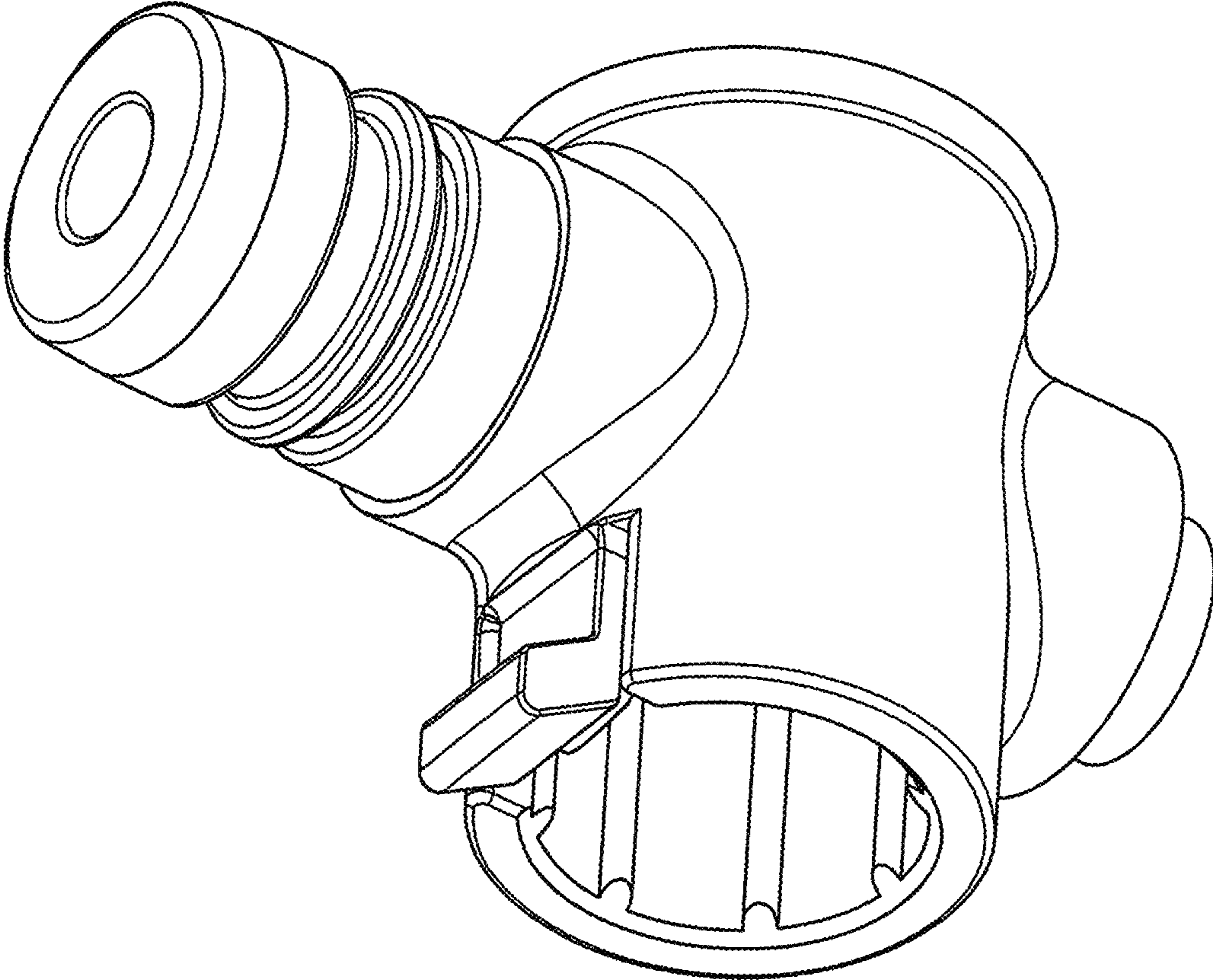


FIG. 2

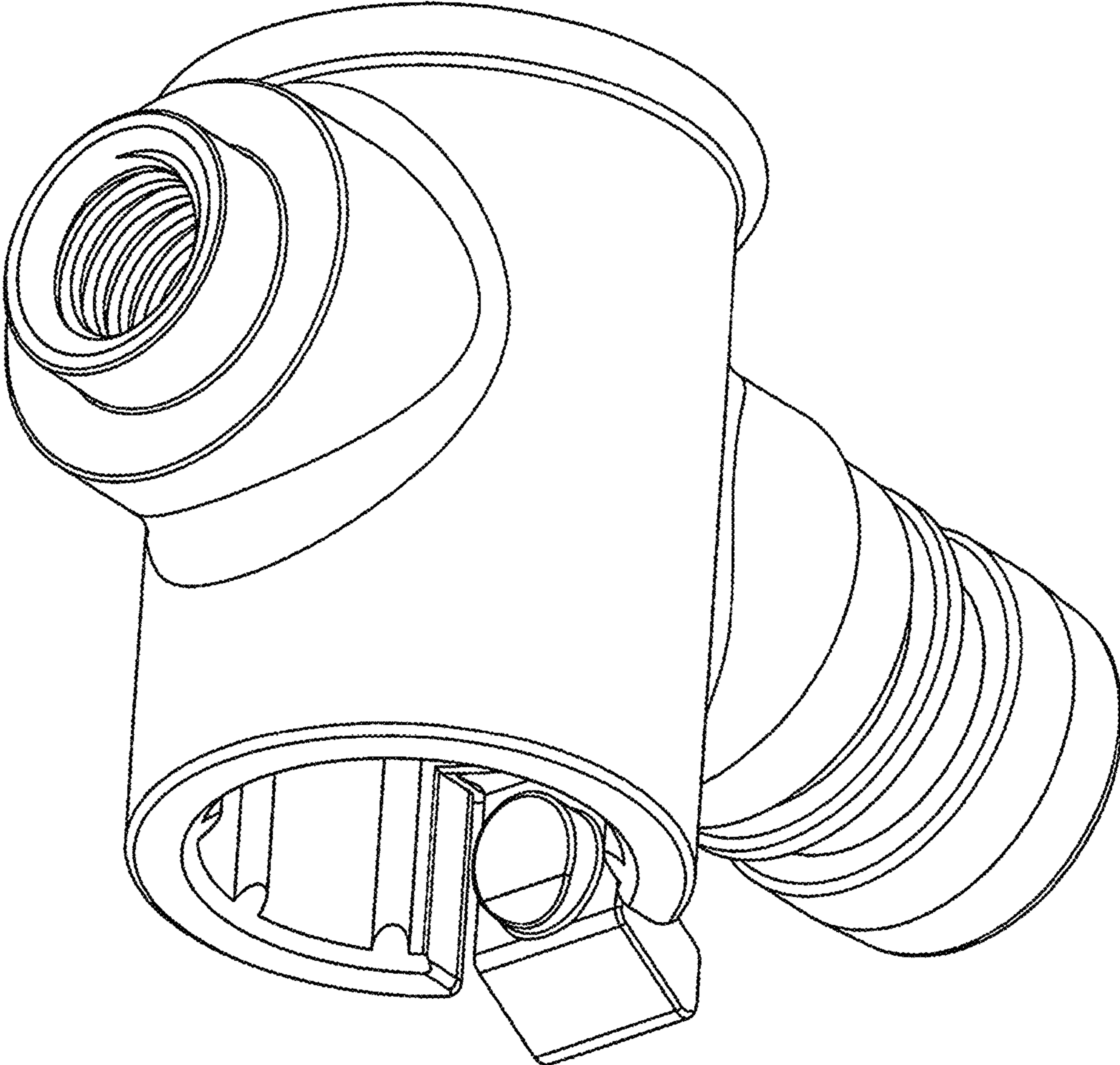


FIG. 3

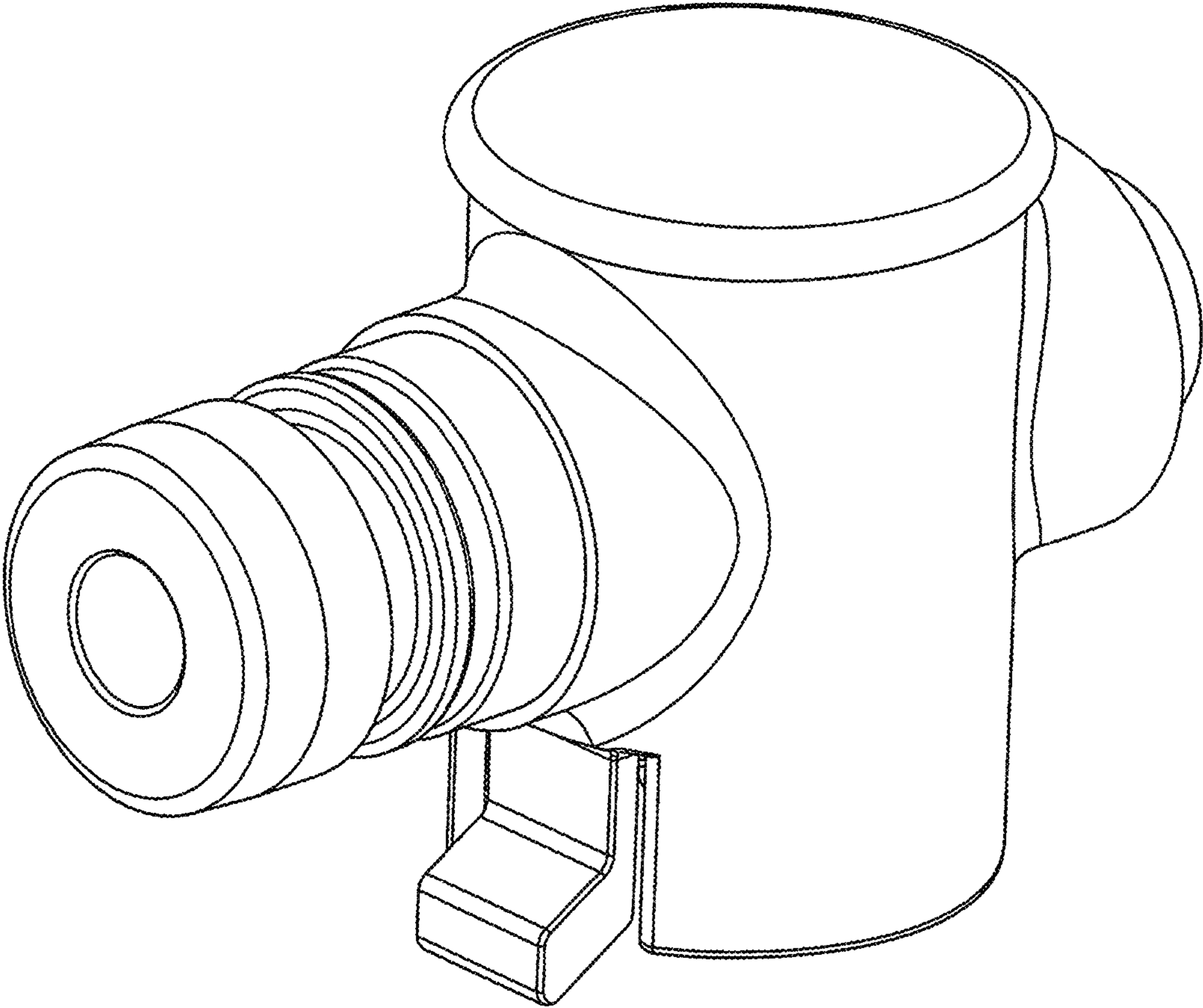


FIG. 4

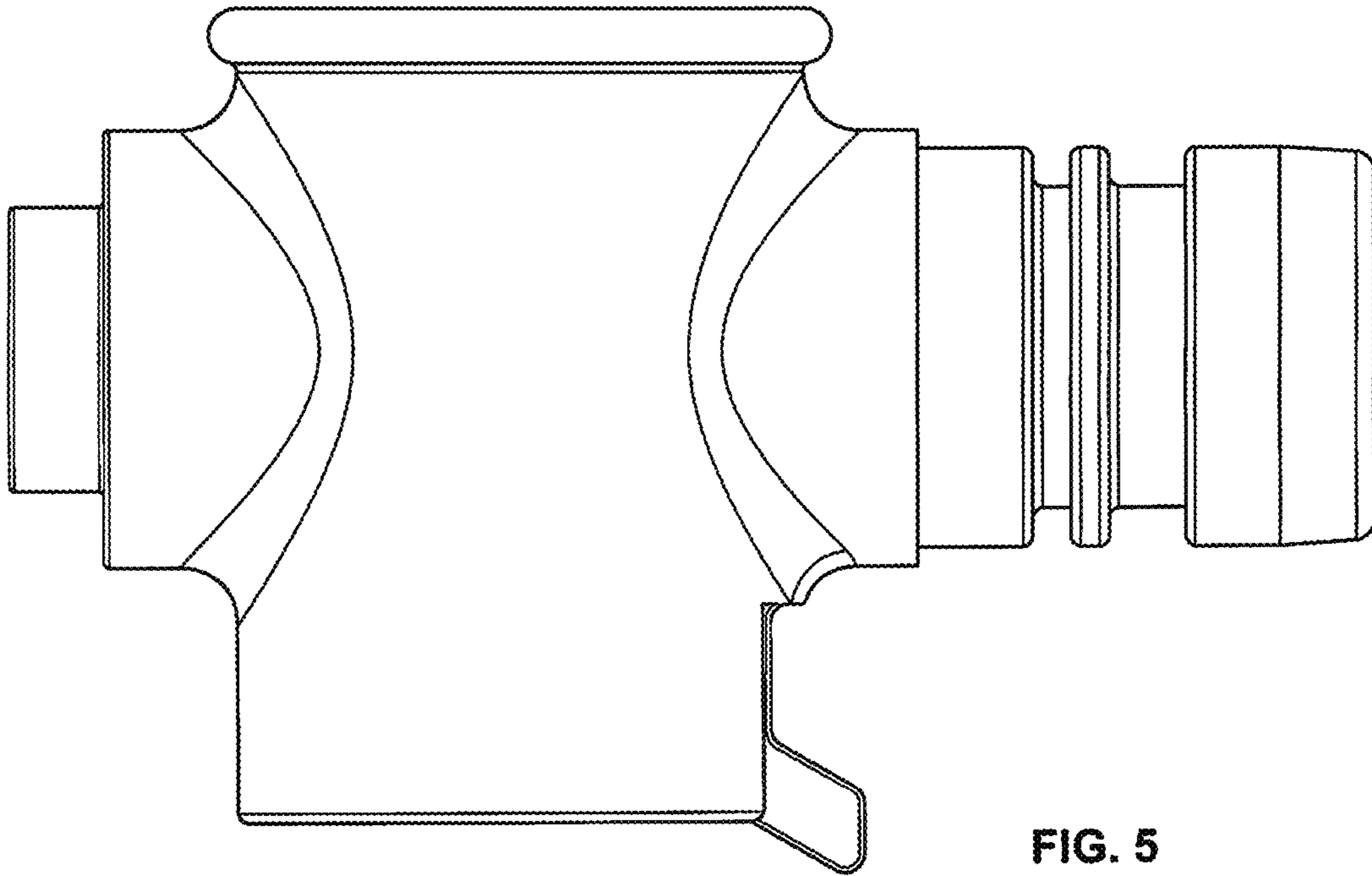


FIG. 5

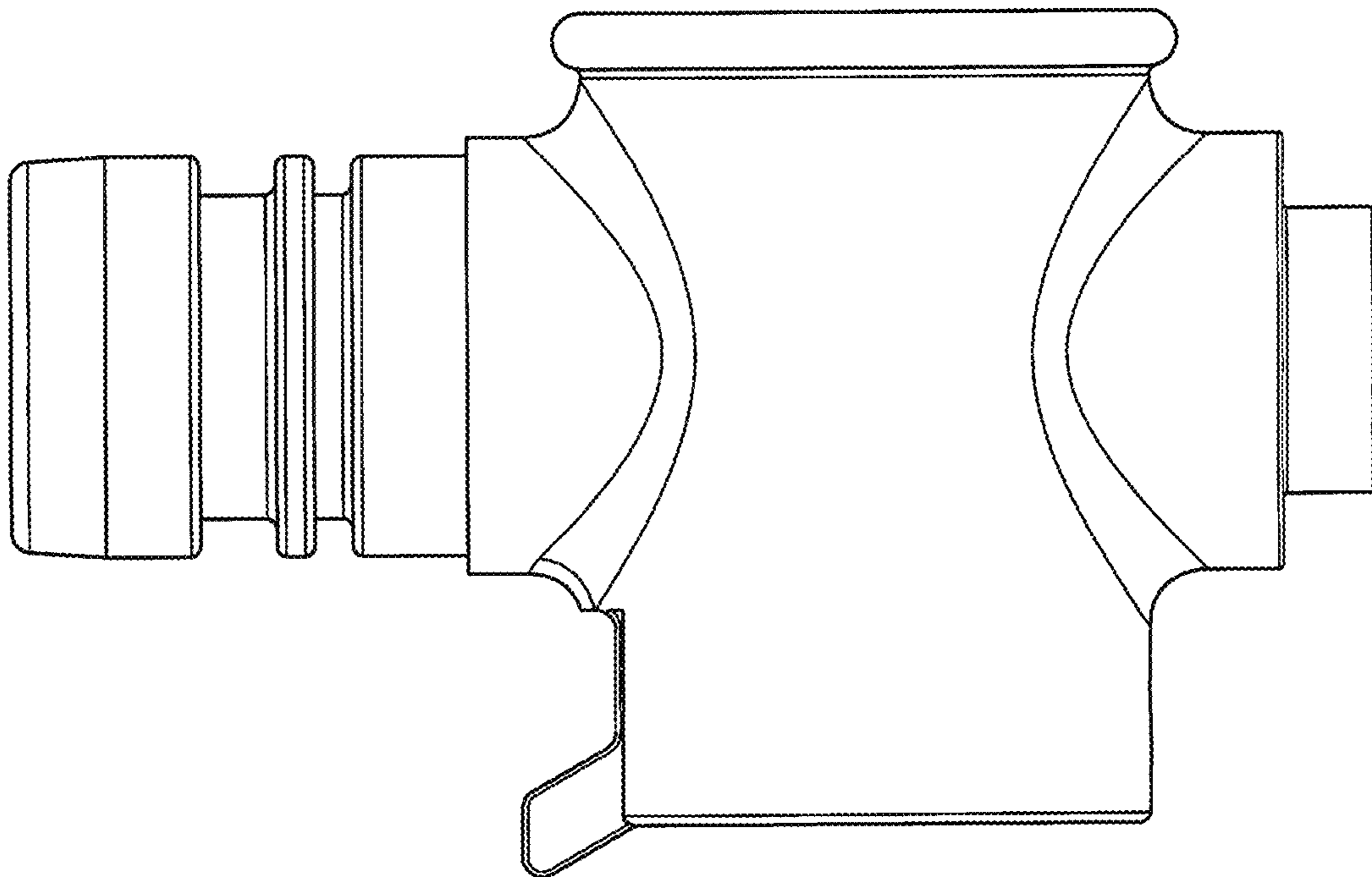


FIG. 6

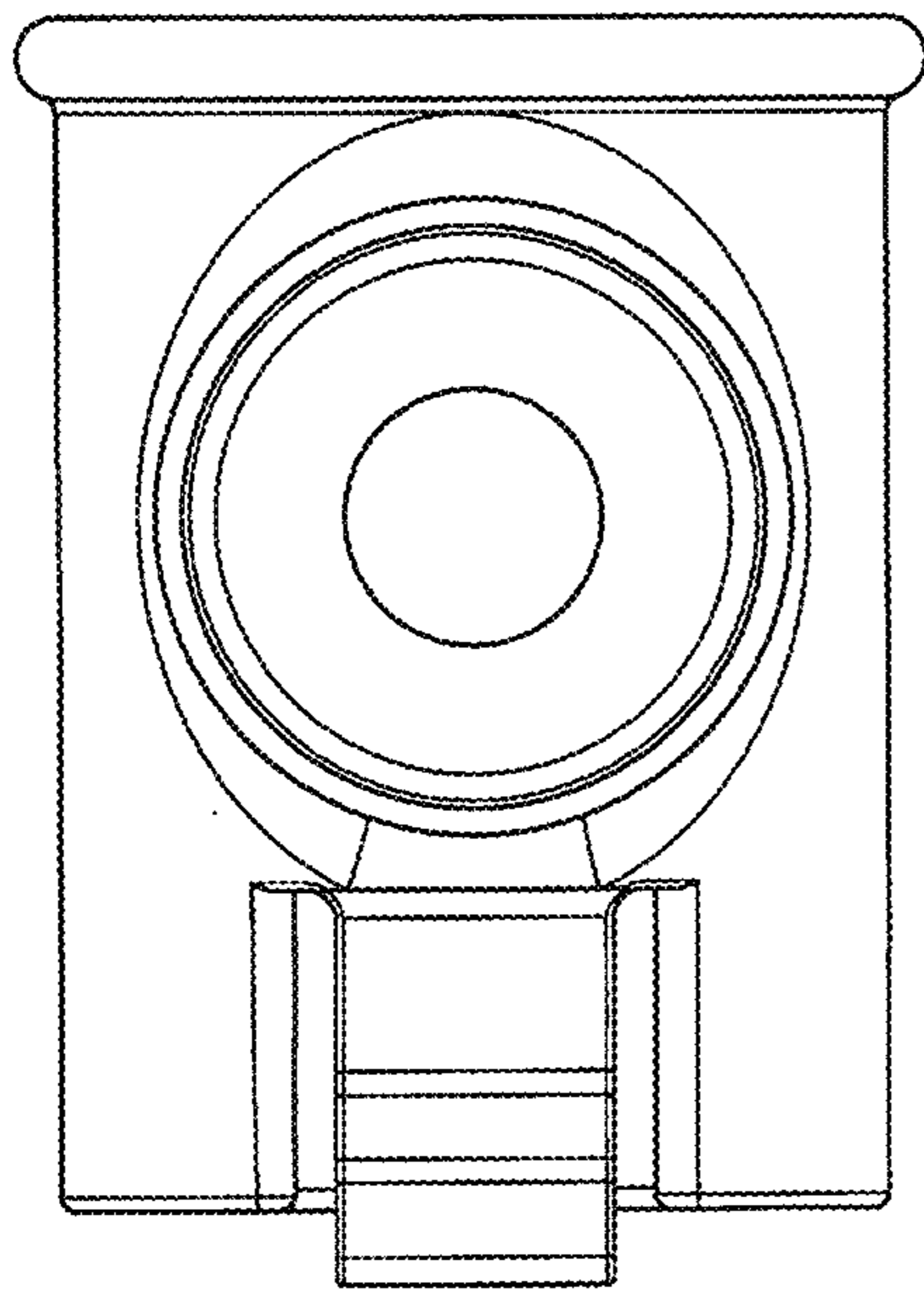


FIG. 7

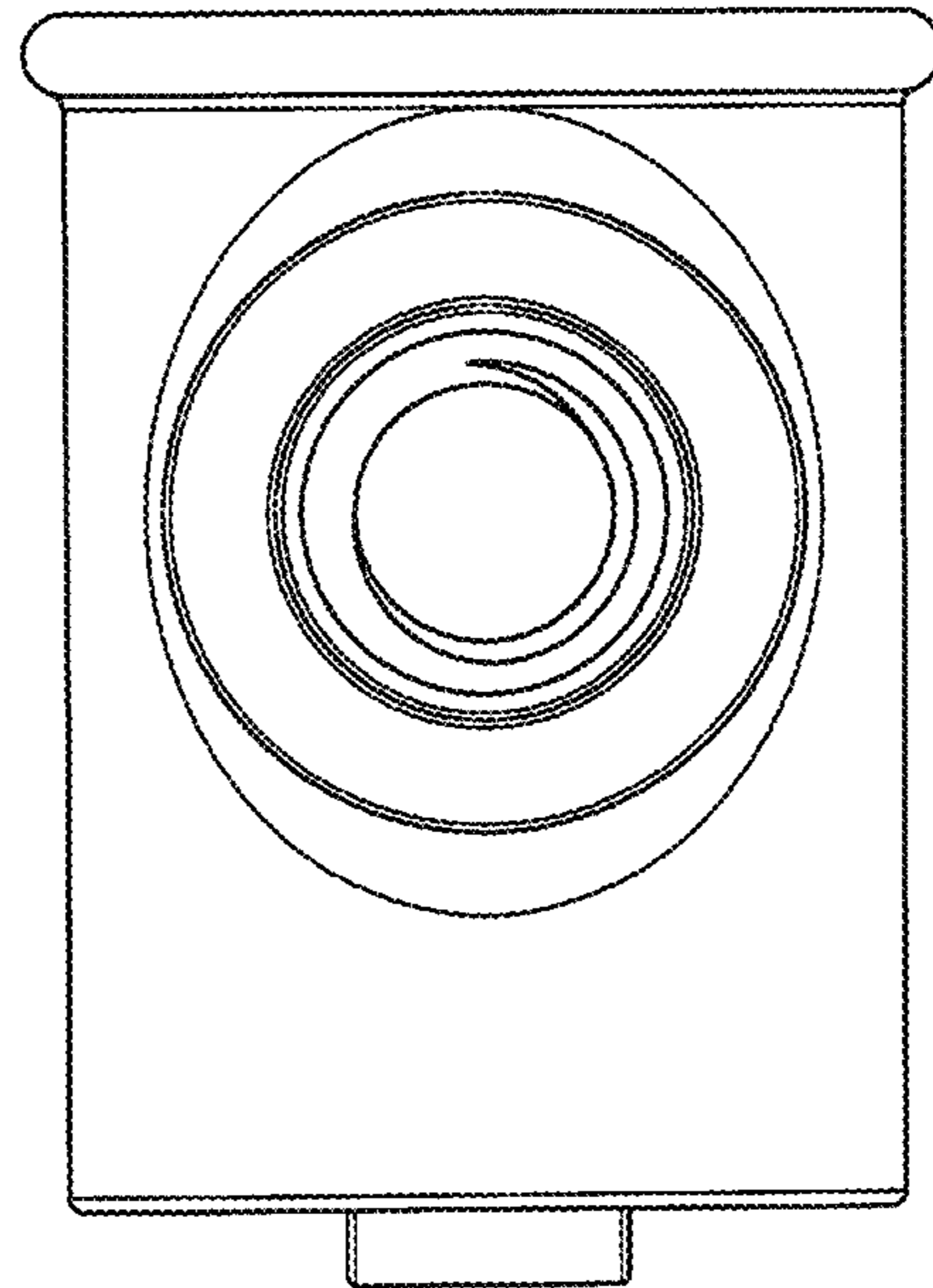


FIG. 8



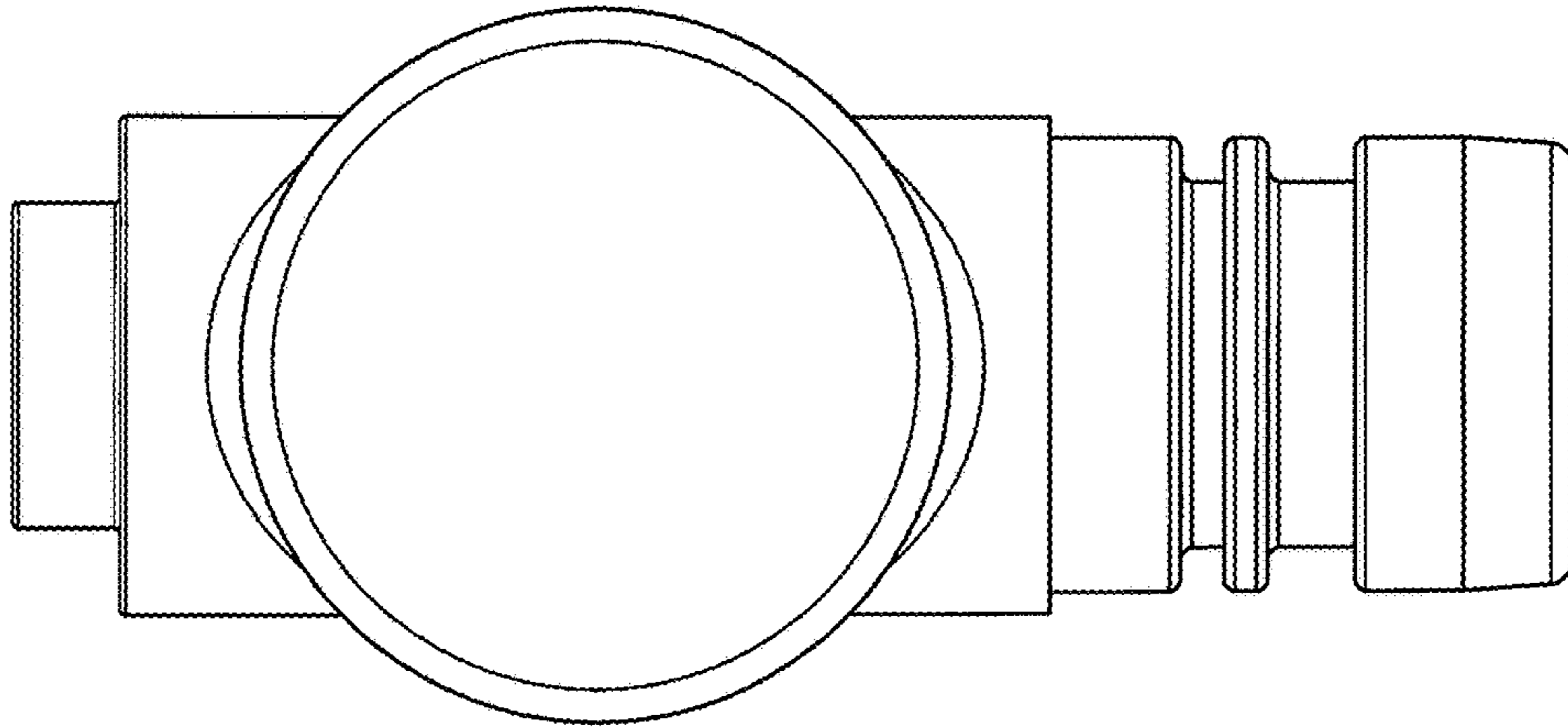


FIG. 9

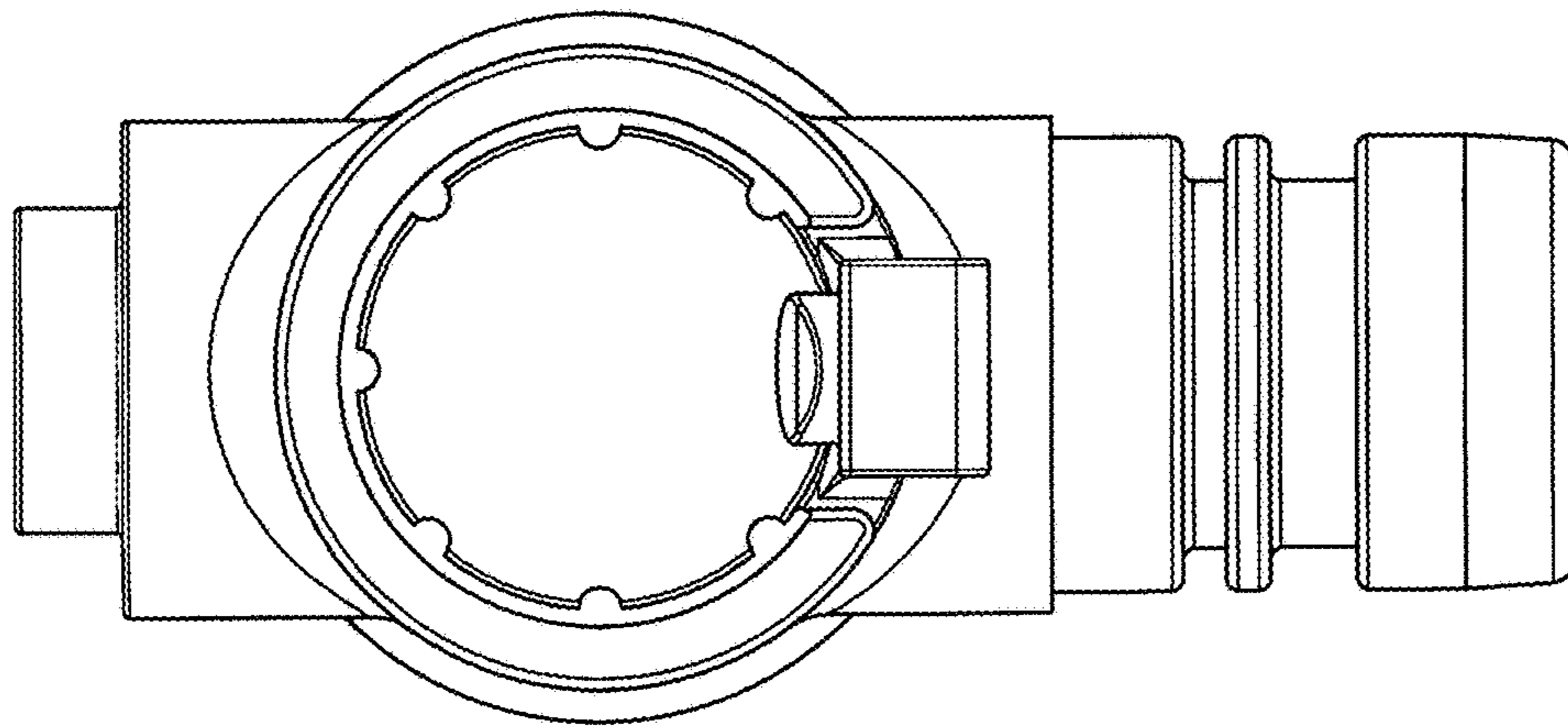


FIG. 10

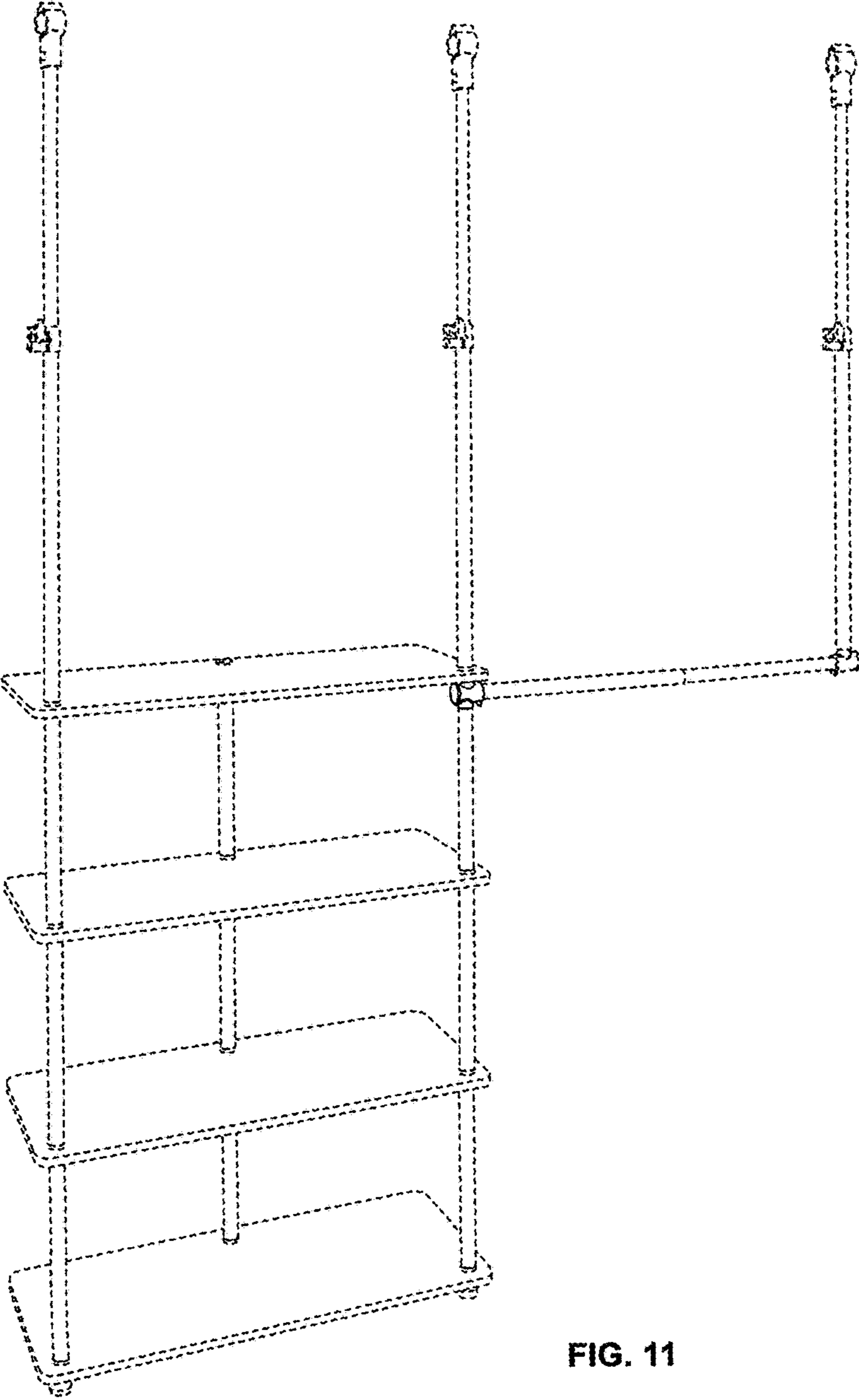


FIG. 11

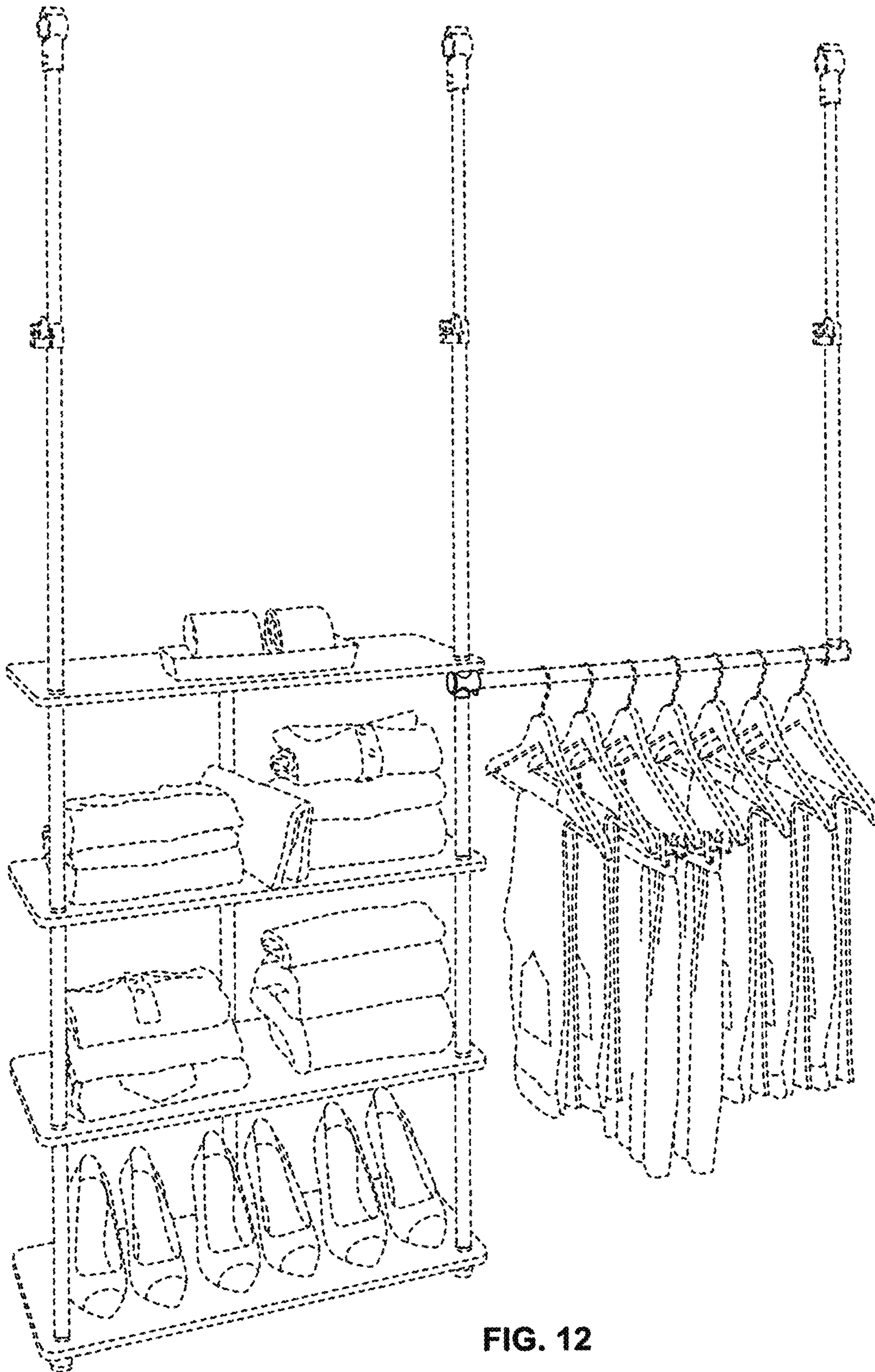


FIG. 12