



US00D803672S

(12) **United States Design Patent** (10) **Patent No.:** **US D803,672 S**
Chikkakalbalu et al. (45) **Date of Patent:** **** Nov. 28, 2017**

(54) **WIRE ROD SHELF BRACKET**

D312,389 S * 11/1990 Remmers D8/381
D556,031 S * 11/2007 Johnson D8/381
D677,560 S * 3/2013 Vay D8/381

(71) Applicant: **Heatcraft Refrigeration Products LLC**, Richardson, TX (US)

* cited by examiner

(72) Inventors: **Chandrashekhara Chikkakalbalu**, Columbus, GA (US); **Satish Kumar Jatashanker Singh**, Chennai (IN); **Vinodkumar Reddy Kunchala**, Chennai (IN)

Primary Examiner — Lakiya Rogers
Assistant Examiner — Harold E Blackwell, II
(74) *Attorney, Agent, or Firm* — Hubbard Johnston, PLLC

(73) Assignee: **Heatcraft Refrigeration Products LLC**, Richardson, TX (US)

(**) Term: **15 Years**

(21) Appl. No.: **29/588,078**

(22) Filed: **Dec. 18, 2016**

(51) **LOC (10) Cl.** **08-05**

(52) **U.S. Cl.**

USPC **D8/381**

(58) **Field of Classification Search**

USPC D8/381, 380, 353, 354, 349, 366, 363,
D8/356, 373, 376, 377; 248/235, 300,
248/242, 249, 250

CPC A47B 96/06
See application file for complete search history.

(56) **References Cited**

U.S. PATENT DOCUMENTS

D40,400 S * 12/1909 McNamara et al. D23/303
3,900,109 A * 8/1975 Peterson A47F 5/01
211/153

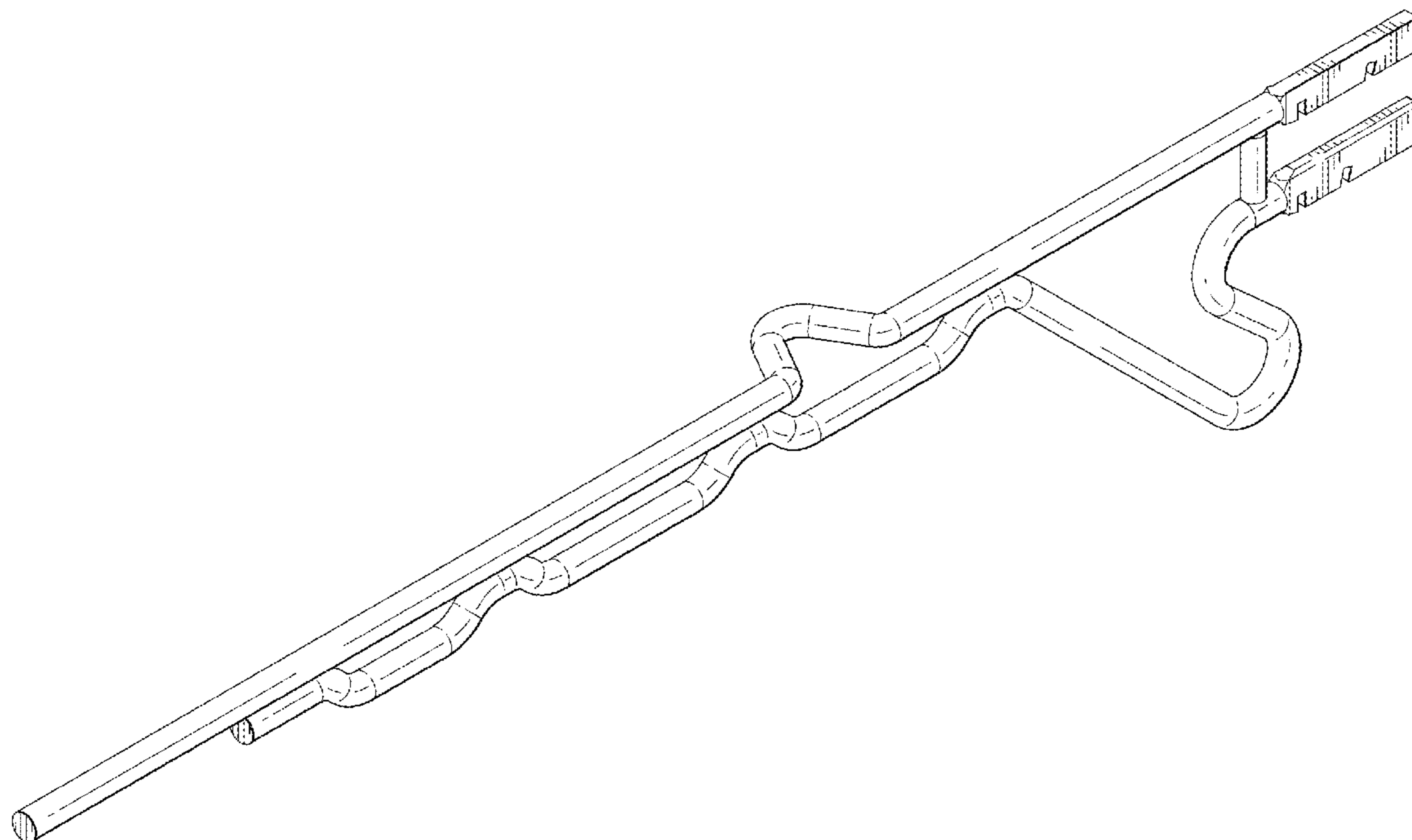
(57) **CLAIM**

The ornamental design for a wire rod shelf bracket, as shown and described.

DESCRIPTION

FIG. 1 is a top front perspective view of a wire rod shelf bracket showing our new design; FIG. 2 is a front elevation view thereof; FIG. 3 is a rear elevation view thereof; FIG. 4 is a right elevation view thereof; FIG. 5 is a left elevation view thereof; FIG. 6 is a top plan view thereof; FIG. 7 is a bottom plan view thereof; and, FIG. 8 is a front perspective view thereof showing the environment in broken lines. The broken lines FIG. 8 show the environment of the wire rod shelf bracket and form no part of the claimed design.

1 Claim, 4 Drawing Sheets



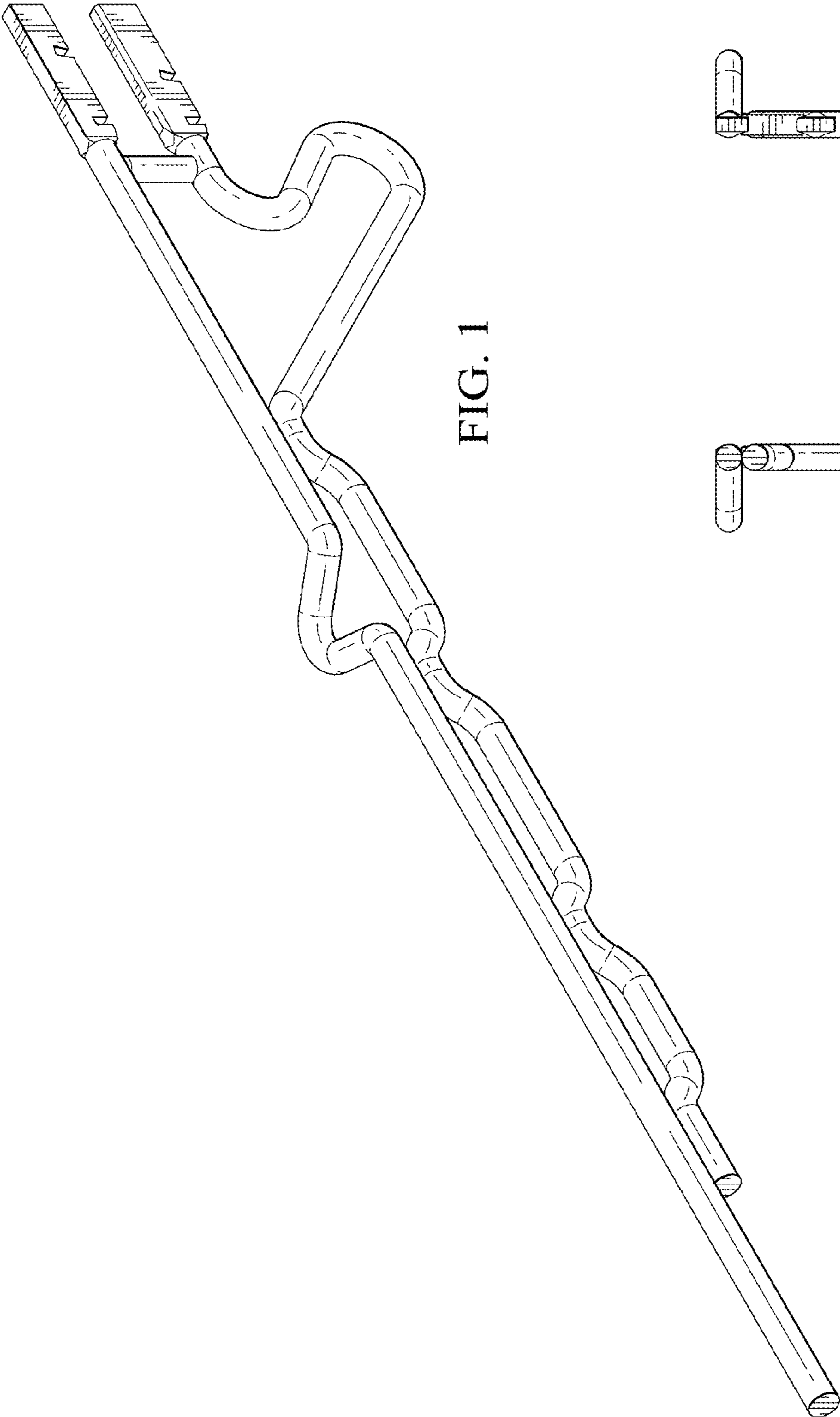


FIG. 1

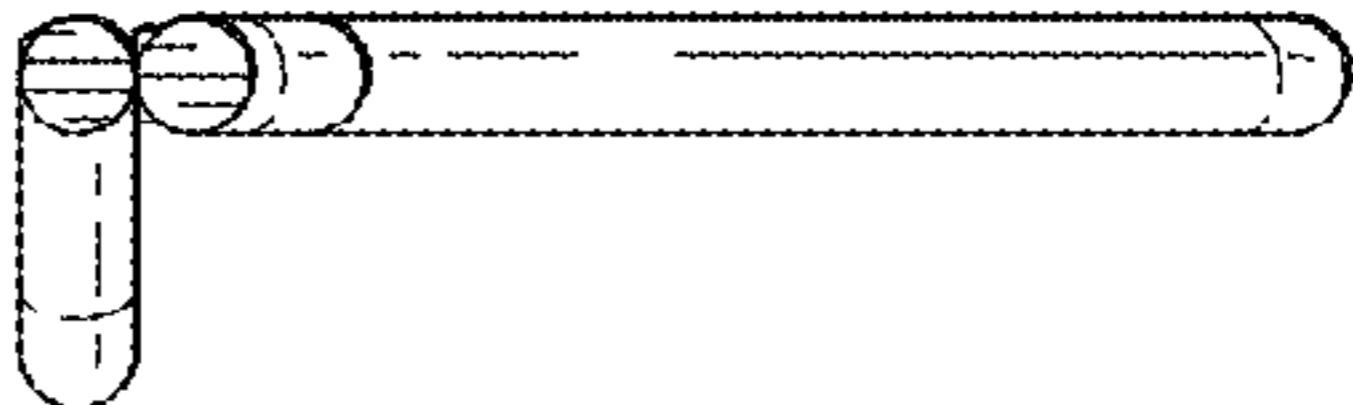


FIG. 2

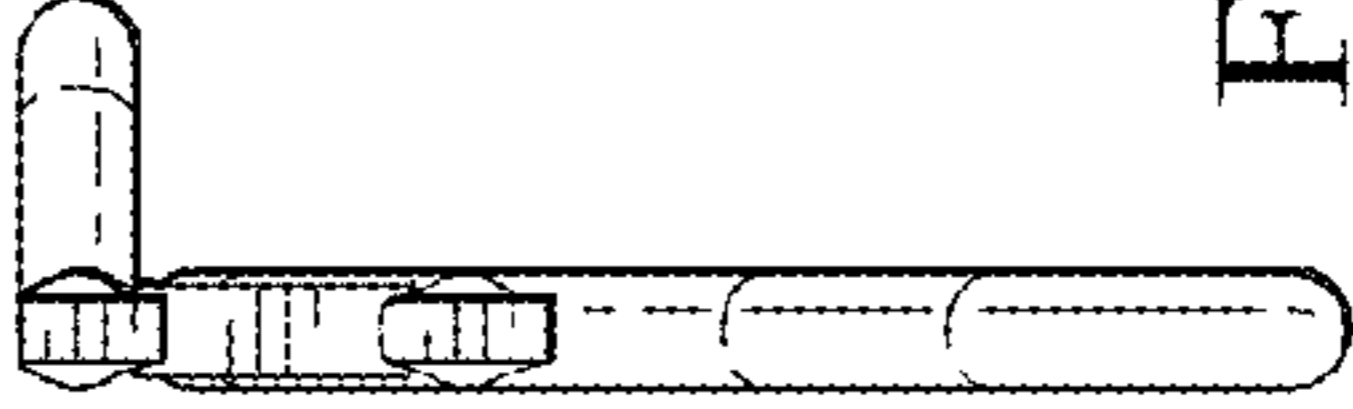


FIG. 3

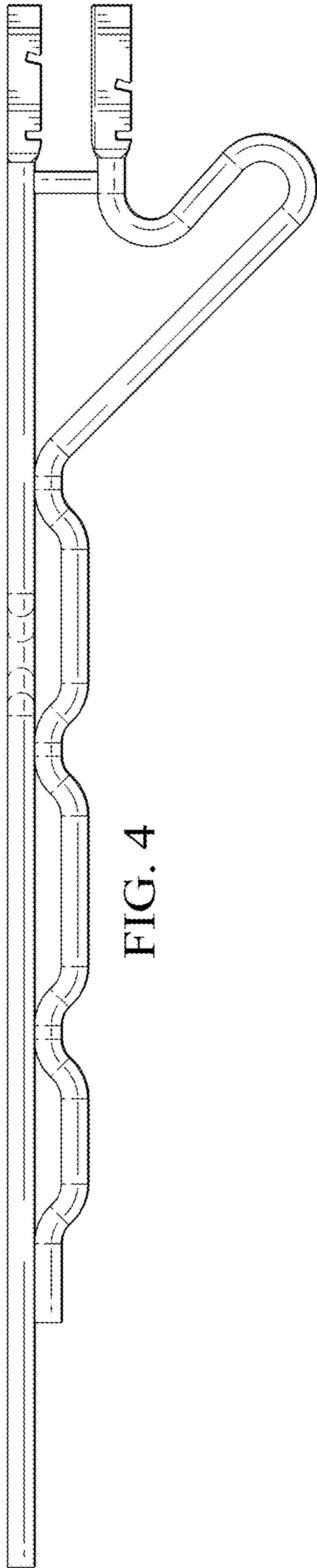


FIG. 4

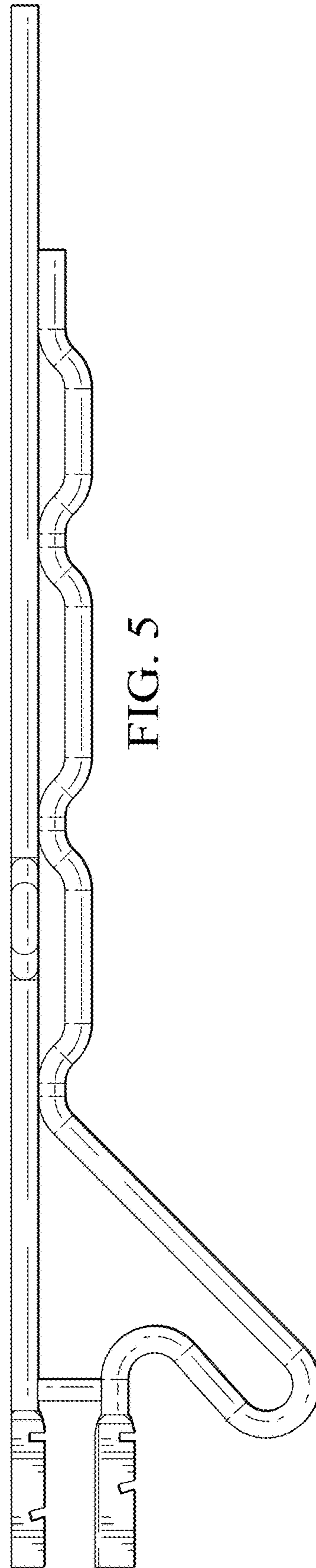


FIG. 5



FIG. 6



FIG. 7

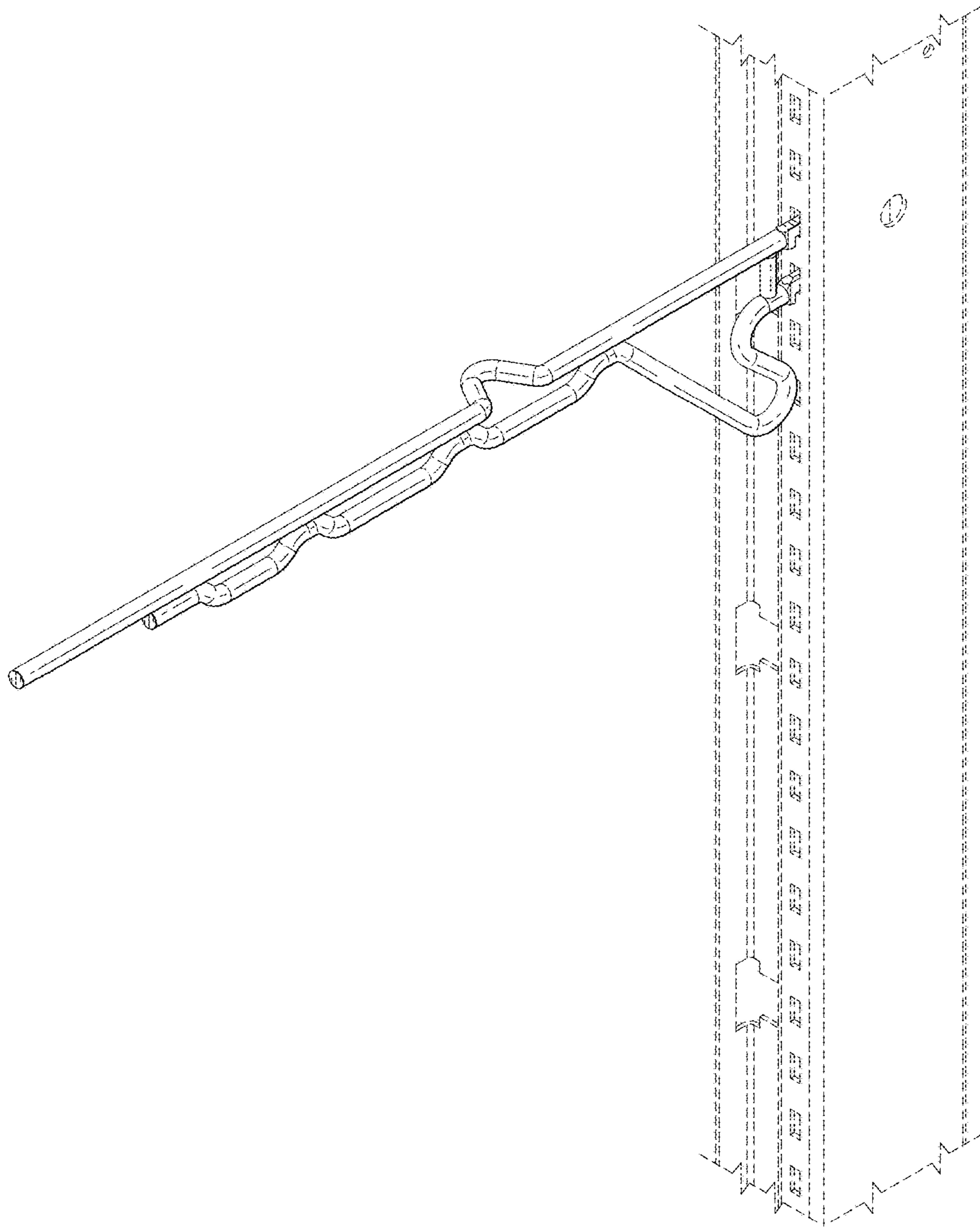


FIG. 8