



US00D803671S

(12) **United States Design Patent** (10) **Patent No.:** **US D803,671 S**  
**Neelagantan et al.** (45) **Date of Patent:** **\*\* Nov. 28, 2017**

(54) **SHELF BRACKET FOR MERCHANDISING DISPLAY CASES**

(71) Applicant: **Heatcraft Refrigeration Products LLC**, Richardson, TX (US)

(72) Inventors: **Chera Selvan Neelagantan**, Columbus, GA (US); **Randall Douglas Booker**, Fortson, GA (US); **Satish Kumar Jatashanker Singh**, Chennai (IN)

(73) Assignee: **Heatcraft Refrigeration Products LLC**, Richardson, TX (US)

(\*\*) Term: **15 Years**

(21) Appl. No.: **29/587,893**

(22) Filed: **Dec. 15, 2016**

**Related U.S. Application Data**

(63) Continuation-in-part of application No. 14/744,043, filed on Jun. 19, 2015, now Pat. No. 9,635,958.

(51) **LOC (10) Cl.** ..... **08-05**

(52) **U.S. Cl.**  
USPC ..... **D8/381**

(58) **Field of Classification Search**  
USPC ..... D8/381, 380, 353, 354, 349, 366, 363, D8/356, 373, 376, 377; 248/235, 300, 248/242, 249, 250  
CPC ..... A47B 96/06  
See application file for complete search history.

(56) **References Cited**

**U.S. PATENT DOCUMENTS**

2,790,559 A	4/1957	Stephenson et al.
2,845,187 A	7/1958	Bianchi
3,082,880 A	3/1963	Mapson
3,088,424 A	5/1963	Knuth
3,130,693 A	4/1964	Shell

3,469,543 A	9/1969	Everett
3,511,193 A	5/1970	Schild
3,556,306 A	1/1971	Shell
3,637,087 A	1/1972	Denny
4,139,247 A	2/1979	Karashima
4,344,367 A	8/1982	Merl
4,607,576 A	8/1986	Kranjec
4,996,929 A	3/1991	Saal
5,022,541 A	6/1991	White
5,205,421 A	4/1993	Bustos
5,452,812 A	9/1995	Niequist et al.
D367,221 S *	2/1996	Burgasser ..... D8/380
5,577,623 A	11/1996	Bustos
5,921,411 A	7/1999	Merl
6,085,918 A	7/2000	Duff et al.

(Continued)

*Primary Examiner* — Lakiya Rogers

*Assistant Examiner* — Harold E Blackwell, II

(74) *Attorney, Agent, or Firm* — Hubbard Johnston, PLLC

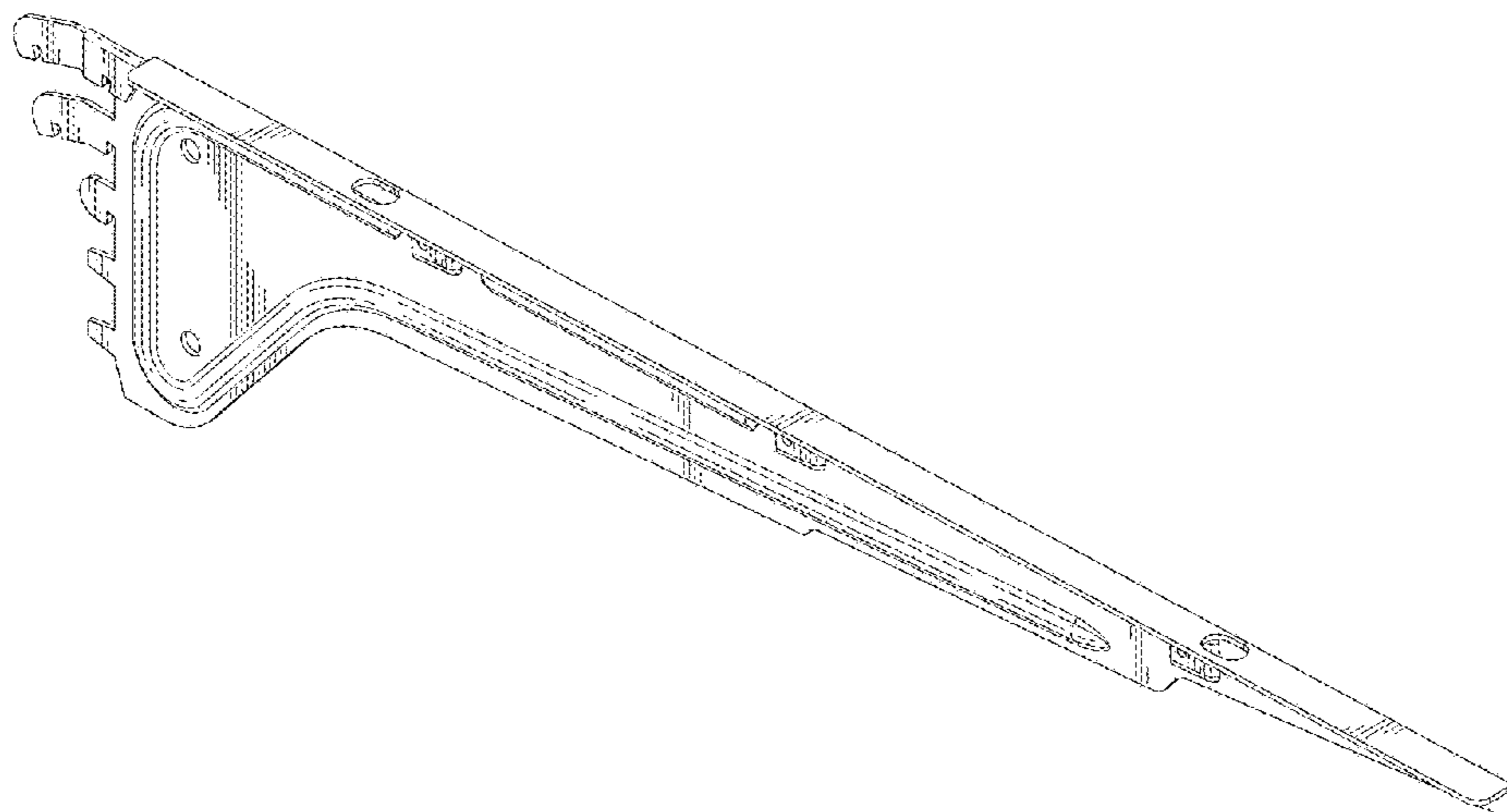
(57) **CLAIM**

The ornamental design for a shelf bracket for merchandising display cases, as shown and described.

**DESCRIPTION**

FIG. 1 is a front perspective view of a shelf bracket for merchandising display cases showing our new design; FIG. 2 is a front elevation view thereof; FIG. 3 is a rear elevation view thereof; FIG. 4 is a detail of FIG. 3; FIG. 5 is a right side elevation view thereof; FIG. 6 is a left side elevation view thereof; FIG. 7 is a top plan view thereof; FIG. 8 is a bottom plan view thereof; and, FIG. 9 is a bottom perspective view thereof shown with a support rail in broken lines for context. The broken lines in the Figures show portions of the shelf bracket for merchandising display cases or context that form no part of the claimed design.

**1 Claim, 5 Drawing Sheets**



(56)

**References Cited**

## U.S. PATENT DOCUMENTS

6,189,707	B1	2/2001	Meyers et al.	
D470,348	S *	2/2003	Herron, Jr. ....	D8/381
6,520,353	B2	2/2003	Fulbright	
6,585,393	B1	7/2003	Brandes et al.	
6,892,993	B2	5/2005	Palmer	
D547,640	S *	7/2007	Remmers .....	D8/381
D596,931	S *	7/2009	Fernandez .....	D8/381
D596,932	S *	7/2009	Kleinsasser .....	D8/381
7,614,761	B2	11/2009	Tanaka	
7,748,806	B2	7/2010	Egan	
7,806,543	B2	10/2010	Swofford et al.	
D632,162	S *	2/2011	Kluge .....	D8/381
7,918,516	B2	4/2011	Decker et al.	
D677,560	S *	3/2013	Vay .....	D8/381
D706,122	S *	6/2014	Cayouette .....	D8/381
8,899,162	B2	12/2014	Chikkakalbalu	
9,265,360	B2	2/2016	Joseph et al.	
2008/0037239	A1	2/2008	Thomas et al.	
2008/0285260	A1	11/2008	Sherman	
2009/0219720	A1	9/2009	Reed	
2010/0271816	A1	10/2010	Ozeki et al.	
2011/0042336	A1	2/2011	Cheng et al.	
2011/0148267	A1	6/2011	McDaniel et al.	
2011/0215693	A1	9/2011	Golias et al.	
2012/0292277	A1	11/2012	Chikkakalbalu	
2014/0168953	A1	6/2014	Madireddi et al.	

\* cited by examiner

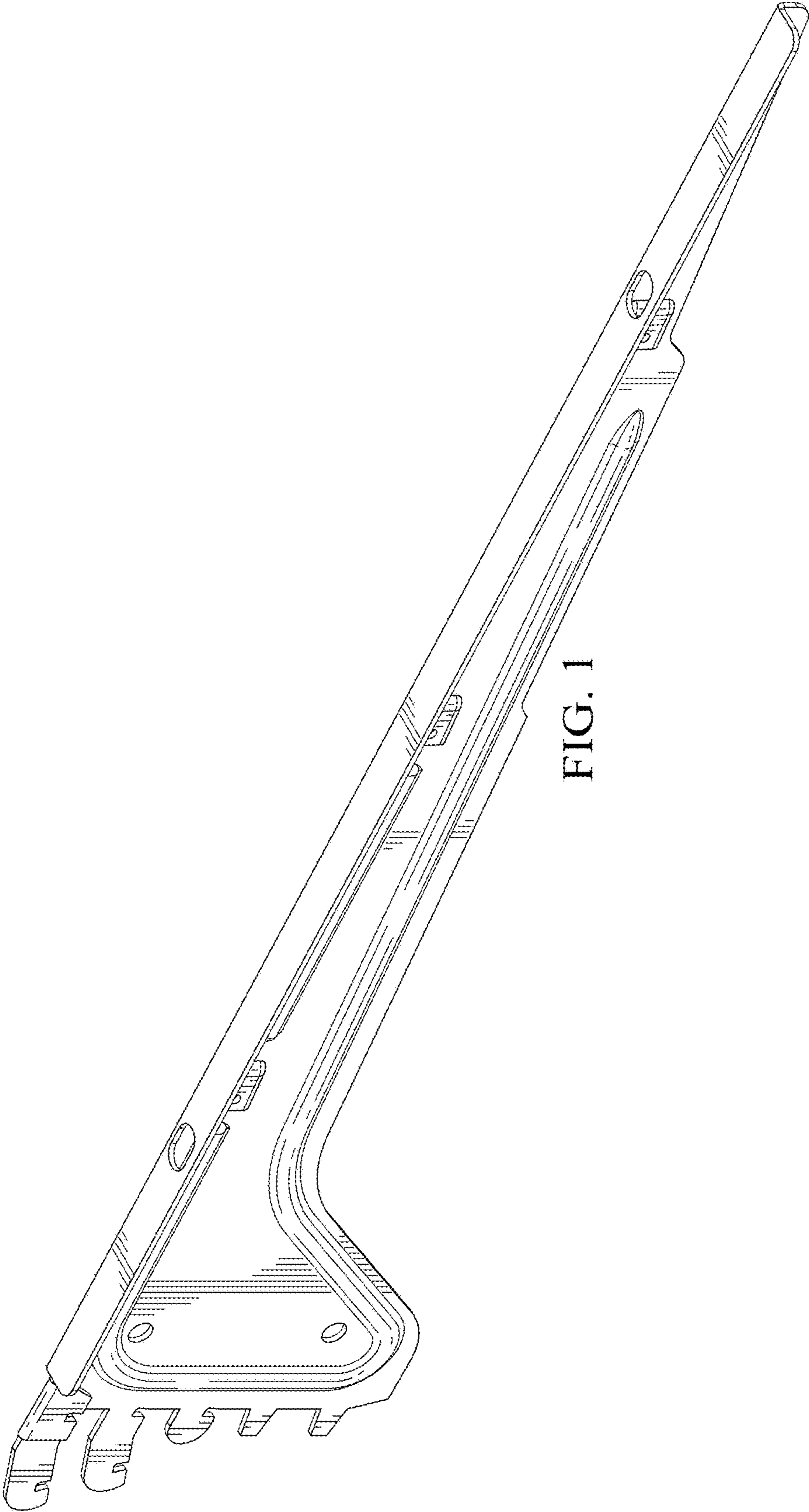


FIG. 1

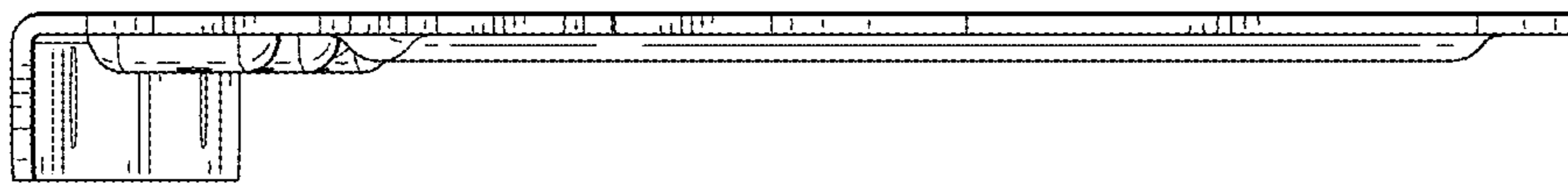


FIG. 2

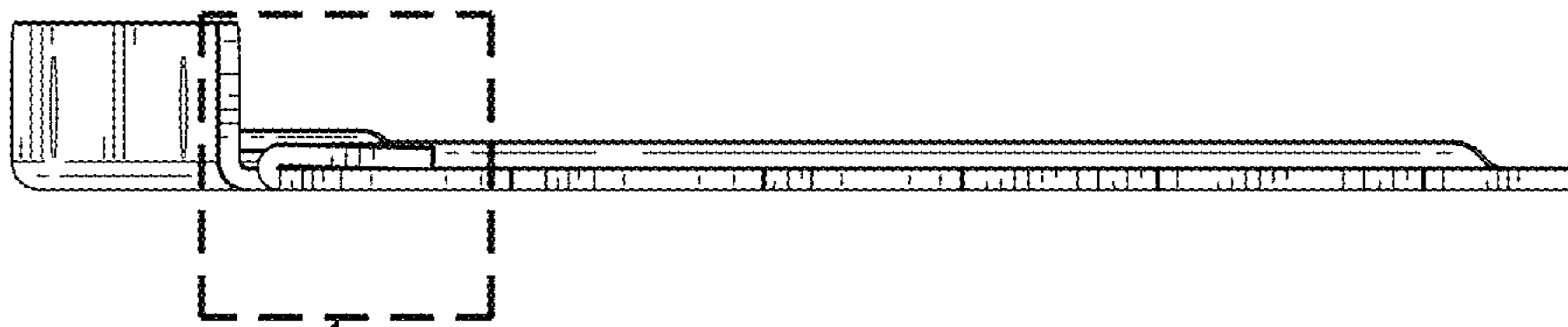


FIG. 3

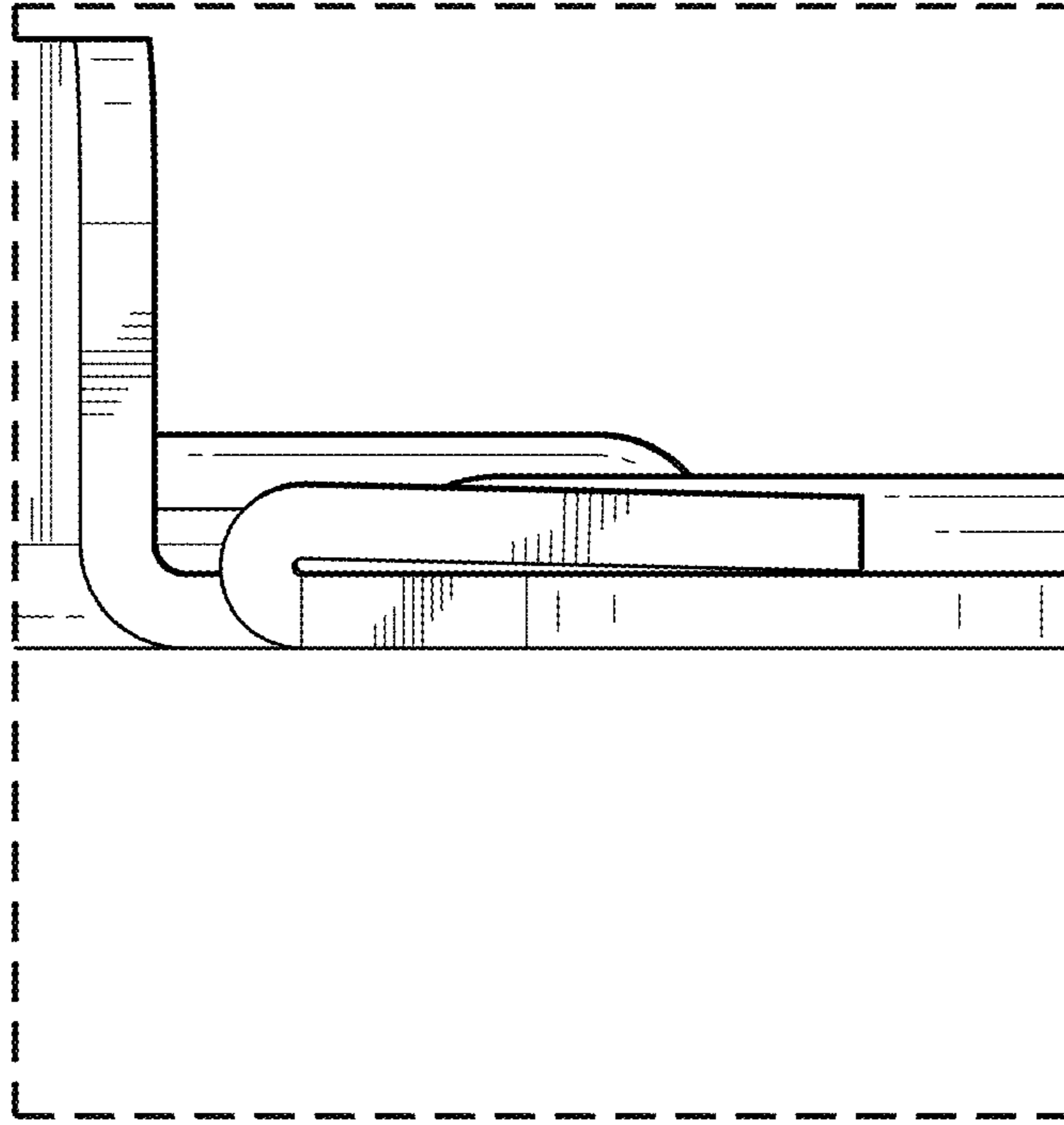


FIG. 4

FIG. 4



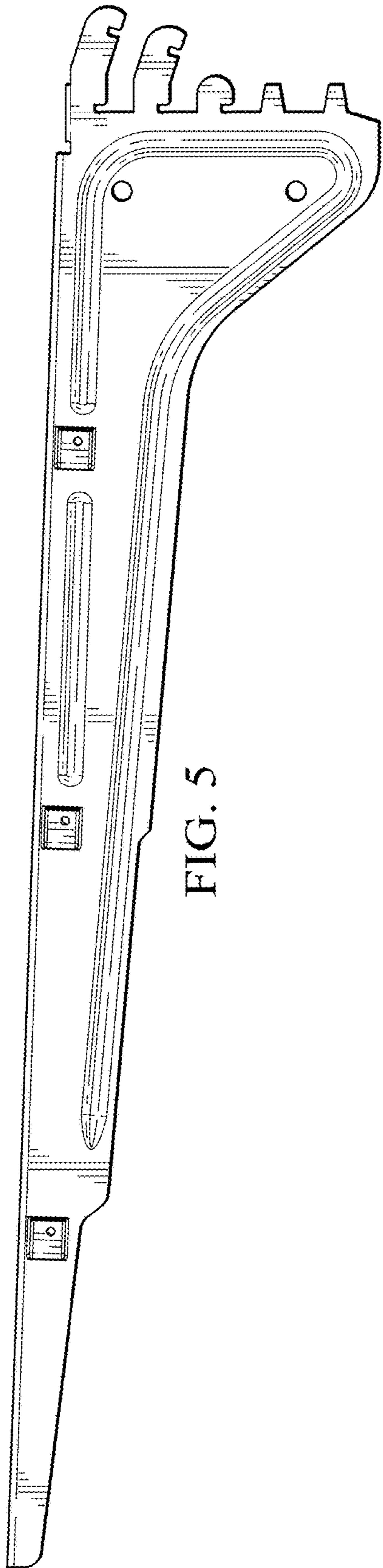


FIG. 5

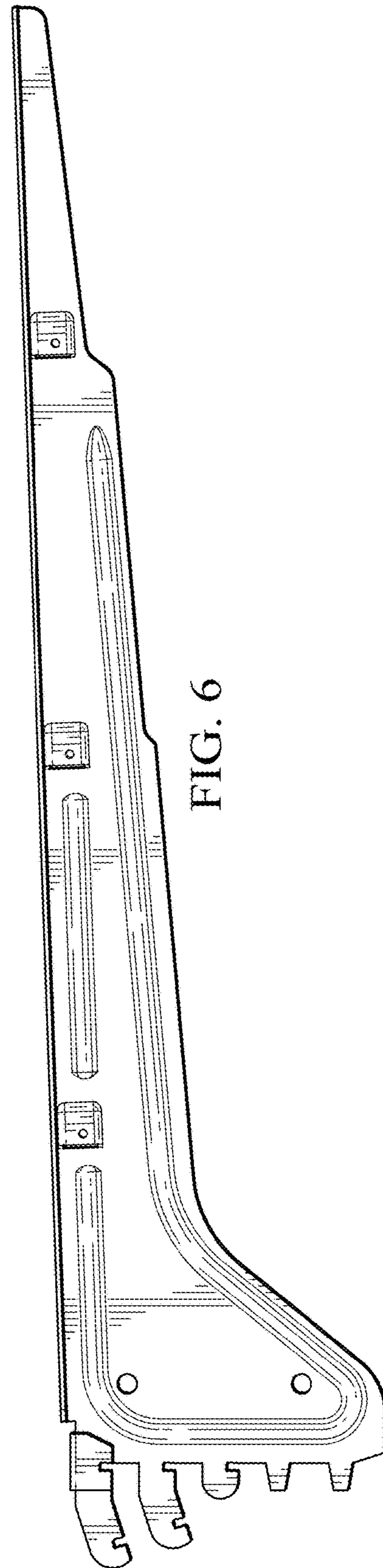


FIG. 6

FIG. 7



FIG. 8



