



US00D803670S

(12) **United States Design Patent**  
**Belokin et al.**

(10) **Patent No.:** **US D803,670 S**

(45) **Date of Patent:** **\*\* Nov. 28, 2017**

(54) **SHELF SUPPORT FOR A TRAIN TRACK**

(71) Applicant: **Displays by Martin Paul, Inc.—Creative Center, Denton, TX (US)**

(72) Inventors: **Martin Belokin, Denton, TX (US); Kevin Willingham, Denton, TX (US)**

(73) Assignee: **Displays by Martin Paul, Inc.—Creative Center, Denton, TX (US)**

(\*\*) Term: **15 Years**

(21) Appl. No.: **29/532,914**

(22) Filed: **Jul. 10, 2015**

(51) **LOC (10) Cl.** ..... **08-05**

(52) **U.S. Cl.**  
USPC ..... **D8/381**

(58) **Field of Classification Search**  
USPC ..... D8/381, 355, 354, 380, 373, 363, 359, D8/358, 350, 349; 248/235, 237, 251, 248/247, 243; 108/152, 108; 238/123, 238/292

CPC ..... A47B 87/00; A47B 96/02; A47B 96/06; A47B 57/06; A47B 87/005; A47B 57/34; A47B 96/021; A47B 96/061

See application file for complete search history.

(56) **References Cited**

**U.S. PATENT DOCUMENTS**

3,135,491 A \* 6/1964 Knappe ..... A47B 57/42  
248/243  
D358,321 S \* 5/1995 Tayar ..... D8/381

D367,001 S \* 2/1996 Bright ..... D8/381  
6,402,108 B1 \* 6/2002 Remmers ..... A47B 57/42  
211/181.1  
D508,646 S \* 8/2005 Gates ..... D8/381  
D547,640 S \* 7/2007 Remmers ..... D8/381  
7,243,887 B2 \* 7/2007 Magnusson ..... A47B 96/024  
248/235  
D581,260 S \* 11/2008 Fernandez ..... D8/381  
7,497,533 B2 \* 3/2009 Remmers ..... A47B 57/42  
108/108  
D596,931 S \* 7/2009 Fernandez ..... D8/381  
D618,087 S \* 6/2010 Stafford ..... D8/363  
D706,122 S \* 6/2014 Cayouette ..... D8/381  
D714,624 S \* 10/2014 Cayouette ..... D8/381  
2016/0331130 A1 \* 11/2016 Neste ..... A47B 57/565

\* cited by examiner

*Primary Examiner* — Lakiya Rogers

*Assistant Examiner* — Harold E Blackwell, II

(57) **CLAIM**

The ornamental design for the shelf support for a train track, as shown and described.

**DESCRIPTION**

FIG. 1 is a front perspective view of the shelf support for a train track;

FIG. 2 is a front view of the design of FIG. 1;

FIG. 3 is a back view of the design of FIG. 1;

FIG. 4 is a left side view of the design of FIG. 1;

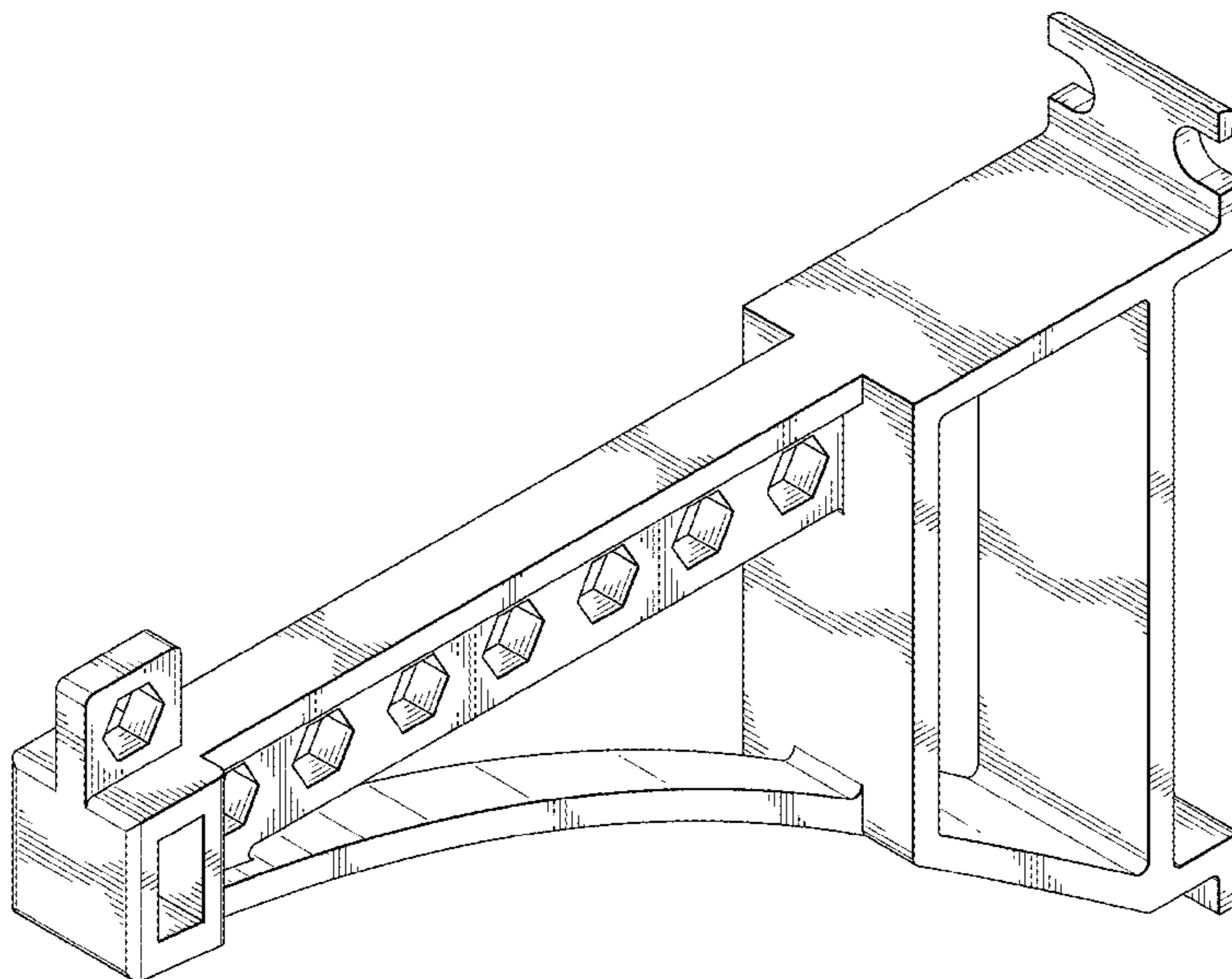
FIG. 5 is a right side view of the design of FIG. 1;

FIG. 6 is a top view of the design of FIG. 1; and,

FIG. 7 is a bottom view of the design of FIG. 1.

The broken lines in the drawings illustrate portions of a shelf support for a train track which form no part of the claimed design.

**1 Claim, 5 Drawing Sheets**



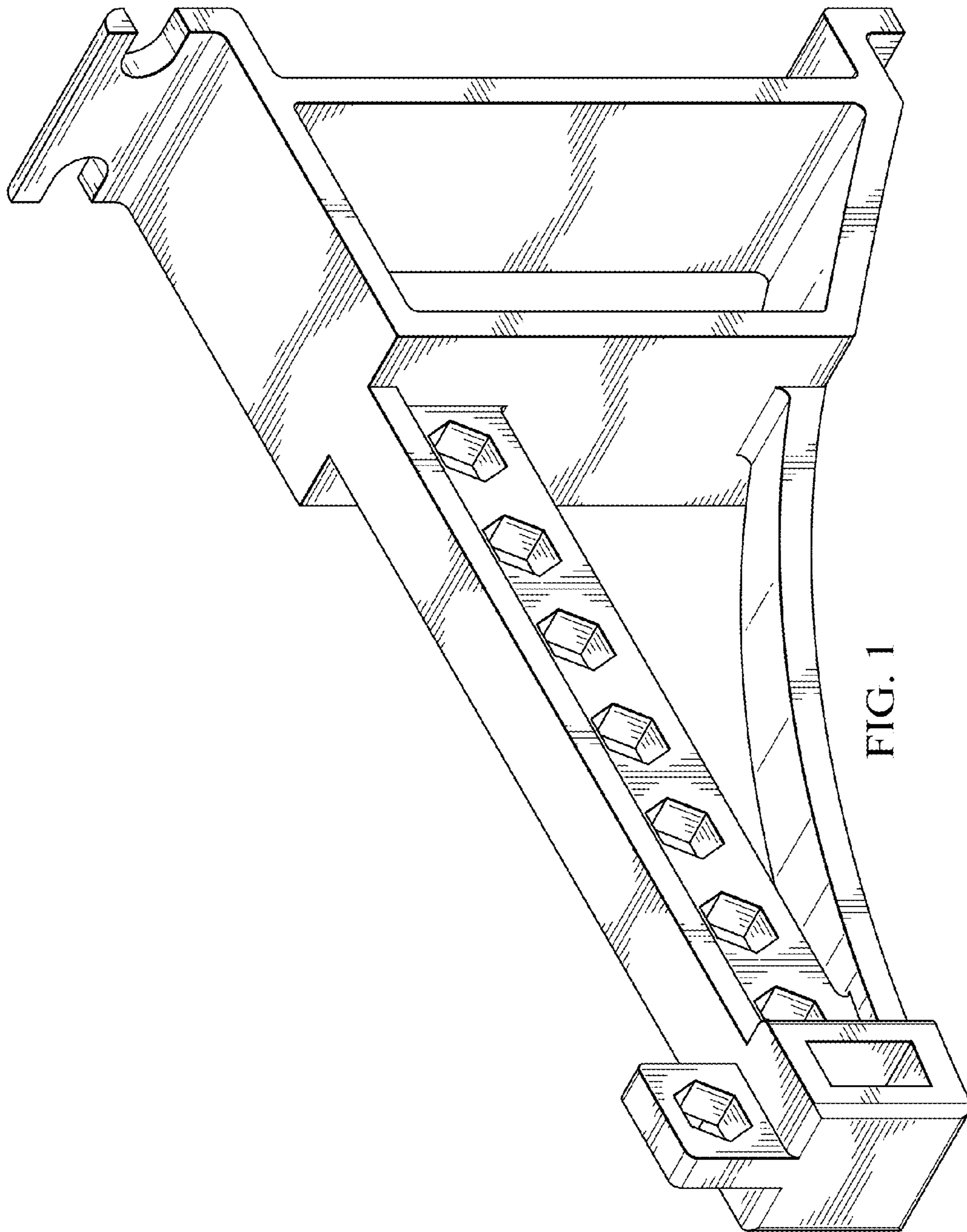


FIG. 1

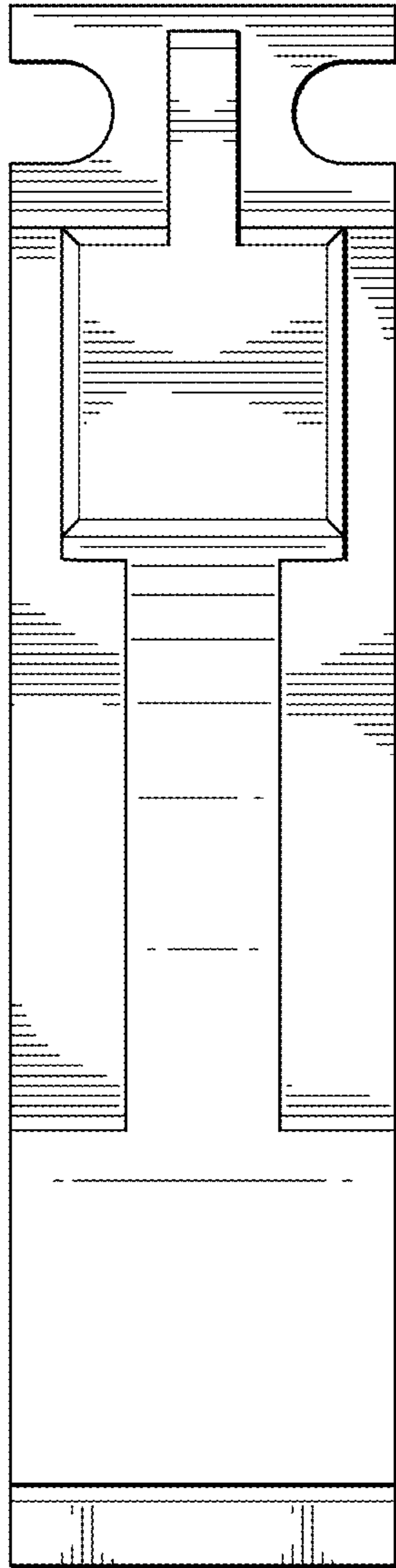


FIG. 2

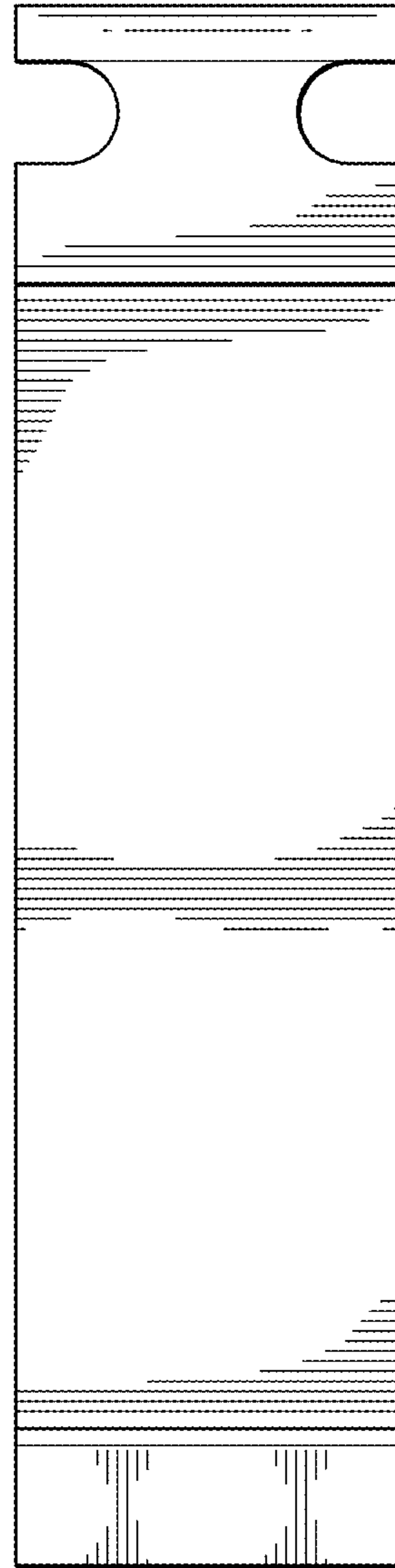


FIG. 3

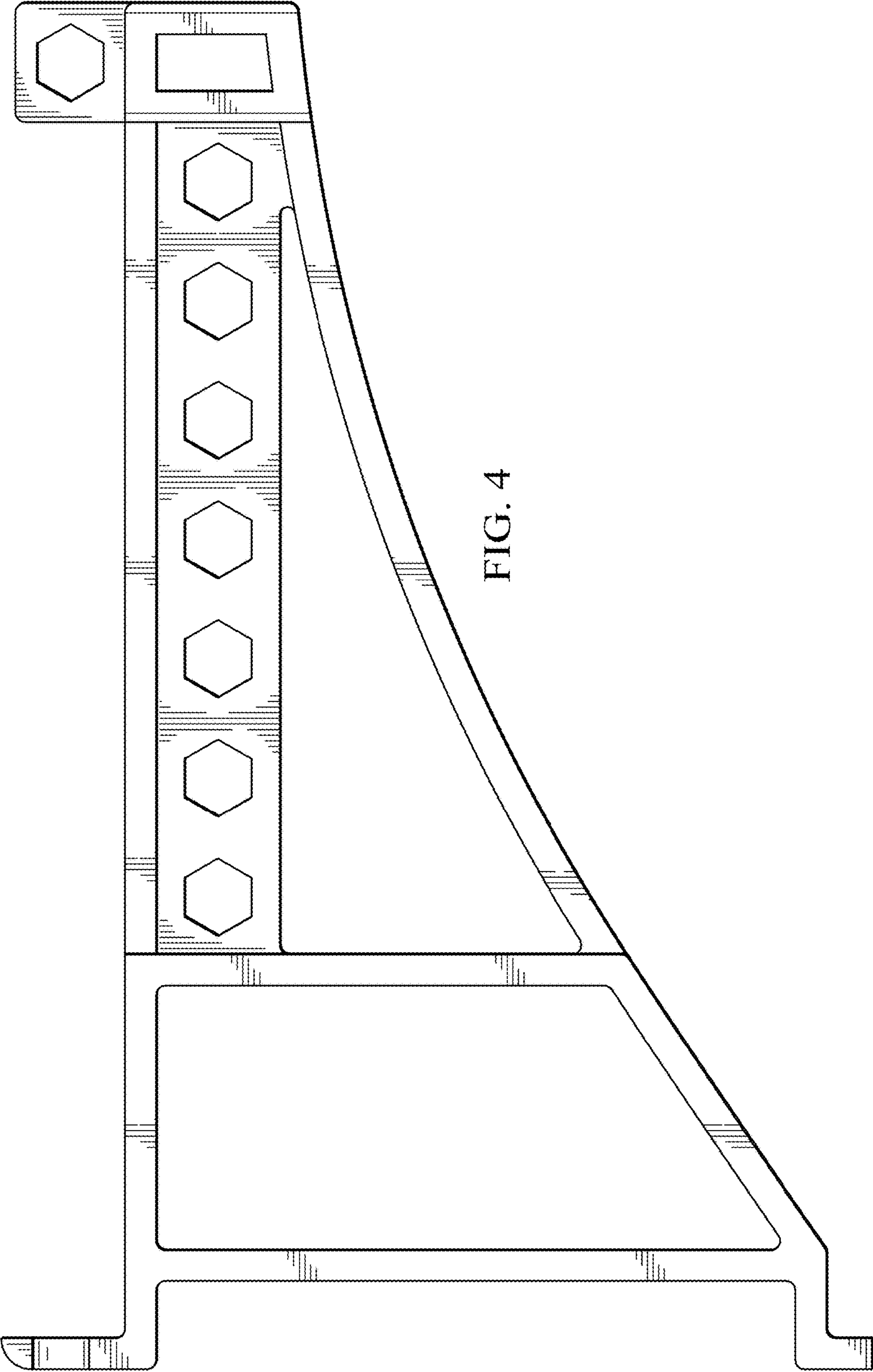


FIG. 4



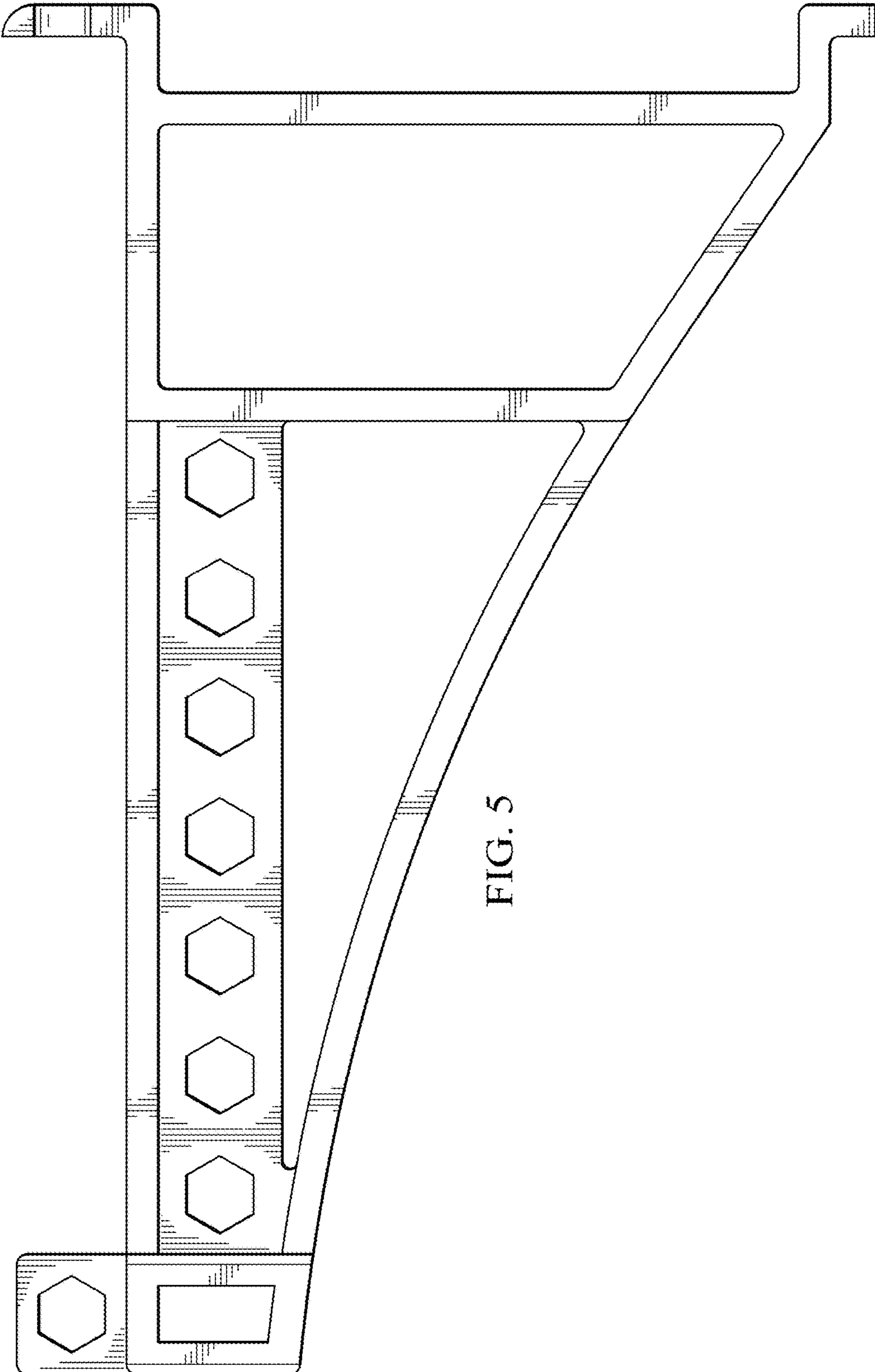


FIG. 5

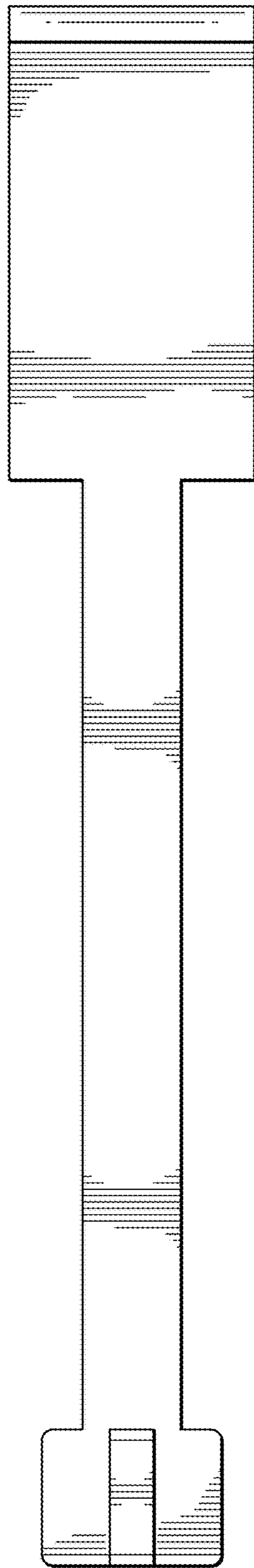


FIG. 6

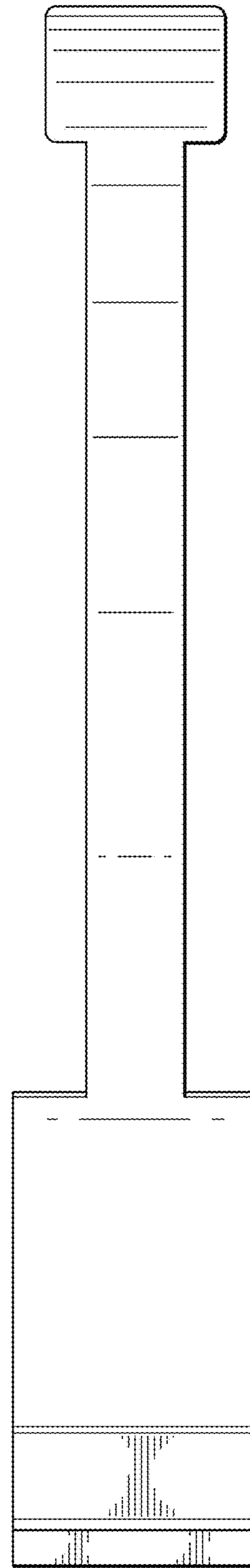


FIG. 7