



US00D803669S

(12) **United States Design Patent** (10) **Patent No.:** **US D803,669 S**
Xu (45) **Date of Patent:** **** Nov. 28, 2017**

(54) **HOOK**

(71) Applicant: **Min Xu**, Guangzhou (CN)

(72) Inventor: **Min Xu**, Guangzhou (CN)

(**) Term: **15 Years**

(21) Appl. No.: **29/569,260**

(22) Filed: **Jun. 24, 2016**

(30) **Foreign Application Priority Data**

May 12, 2016 (CN) 2016 3 0176216

(51) **LOC (10) Cl.** **08-05**

(52) **U.S. Cl.**
USPC **D8/368**

(58) **Field of Classification Search**
USPC D6/315-328; D8/349, 354, 356, 368,
D8/370, 373, 389; D34/35
CPC A47G 25/32; A47G 25/28; A47G 25/442;
A47G 25/20; A47G 25/24; A47G
25/1421; A47G 25/1428; A47G 25/06;
A47G 25/52; A47G 25/38; A47G 25/50;
A47G 25/183; A47G 25/70; A47G 25/44;
A47F 7/19; A47F 5/01; A47F 5/13; F16B
2/00

See application file for complete search history.

(56) **References Cited**

U.S. PATENT DOCUMENTS

D438,746 S * 3/2001 Barker D6/580
D439,144 S * 3/2001 Ho 160/330

D457,807 S * 5/2002 Vanderbilt D8/368
D459,201 S * 6/2002 Michaelson D8/367
D527,246 S * 8/2006 Clucas D8/370
D545,180 S * 6/2007 Harwanko D8/367
D630,498 S * 1/2011 Kim D8/367
D638,283 S * 5/2011 Gilbert D8/367
D644,091 S * 8/2011 Drazin D8/367
D652,711 S * 1/2012 Lee D8/367
D668,939 S * 10/2012 Neri D8/367
D736,524 S * 8/2015 He D6/328

* cited by examiner

Primary Examiner — John Windmuller

Assistant Examiner — Benjamin Weeks

(74) *Attorney, Agent, or Firm* — Schmeiser, Olsen & Watts LLP

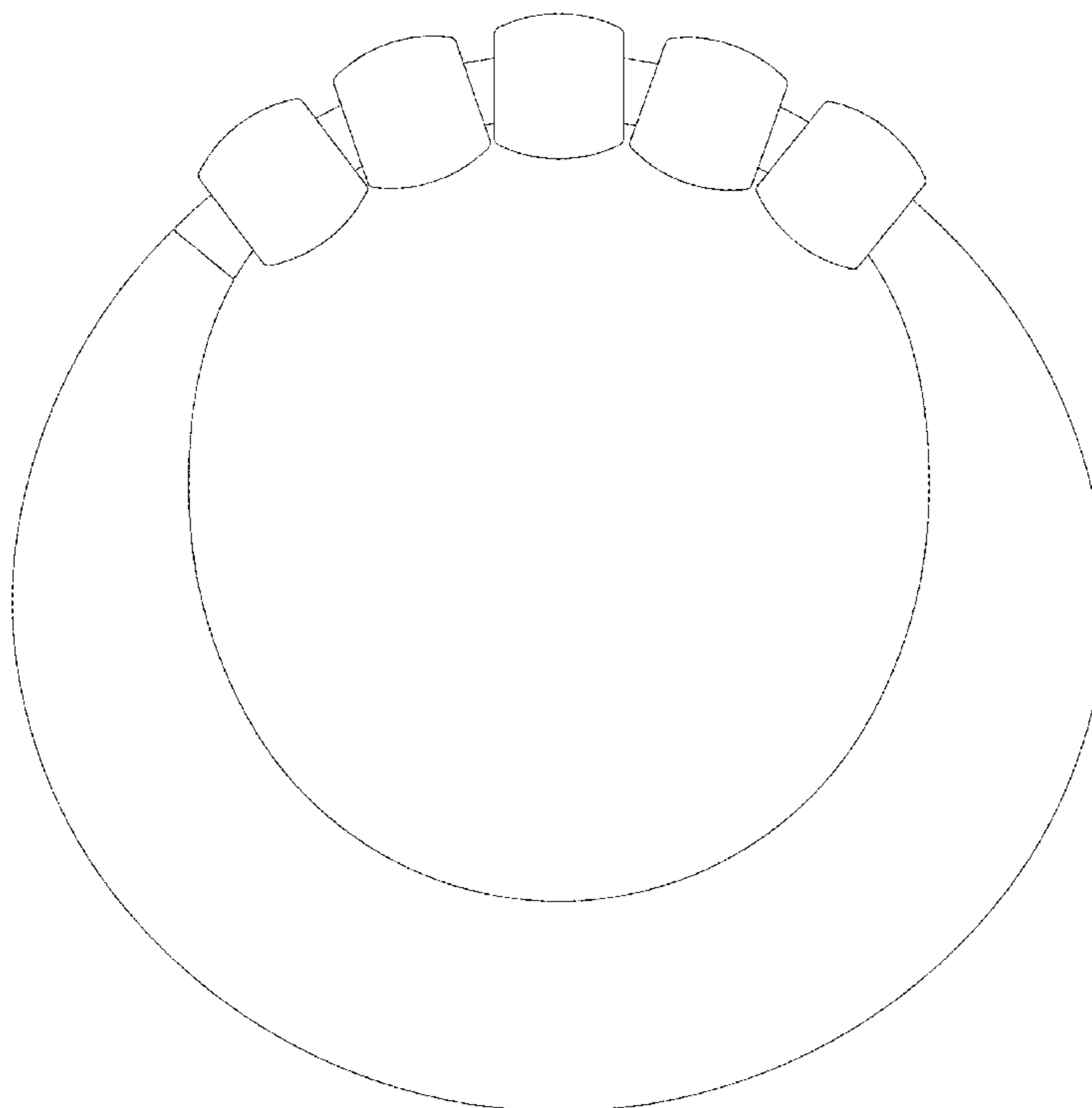
(57) **CLAIM**

The ornamental design for a hook, as shown and described.

DESCRIPTION

FIG. 1 is a Front elevational view of a hook showing my new design;
FIG. 2 is a Rear elevational view thereof;
FIG. 3 is a Left side view thereof;
FIG. 4 is a Right side view thereof;
FIG. 5 is a Top plan view thereof;
FIG. 6 is a Bottom plan view thereof; and,
FIG. 7 is a Perspective view thereof.
The broken lines shown in FIG. 2 are for environmental purposes only and form no part of the claimed design.

1 Claim, 7 Drawing Sheets



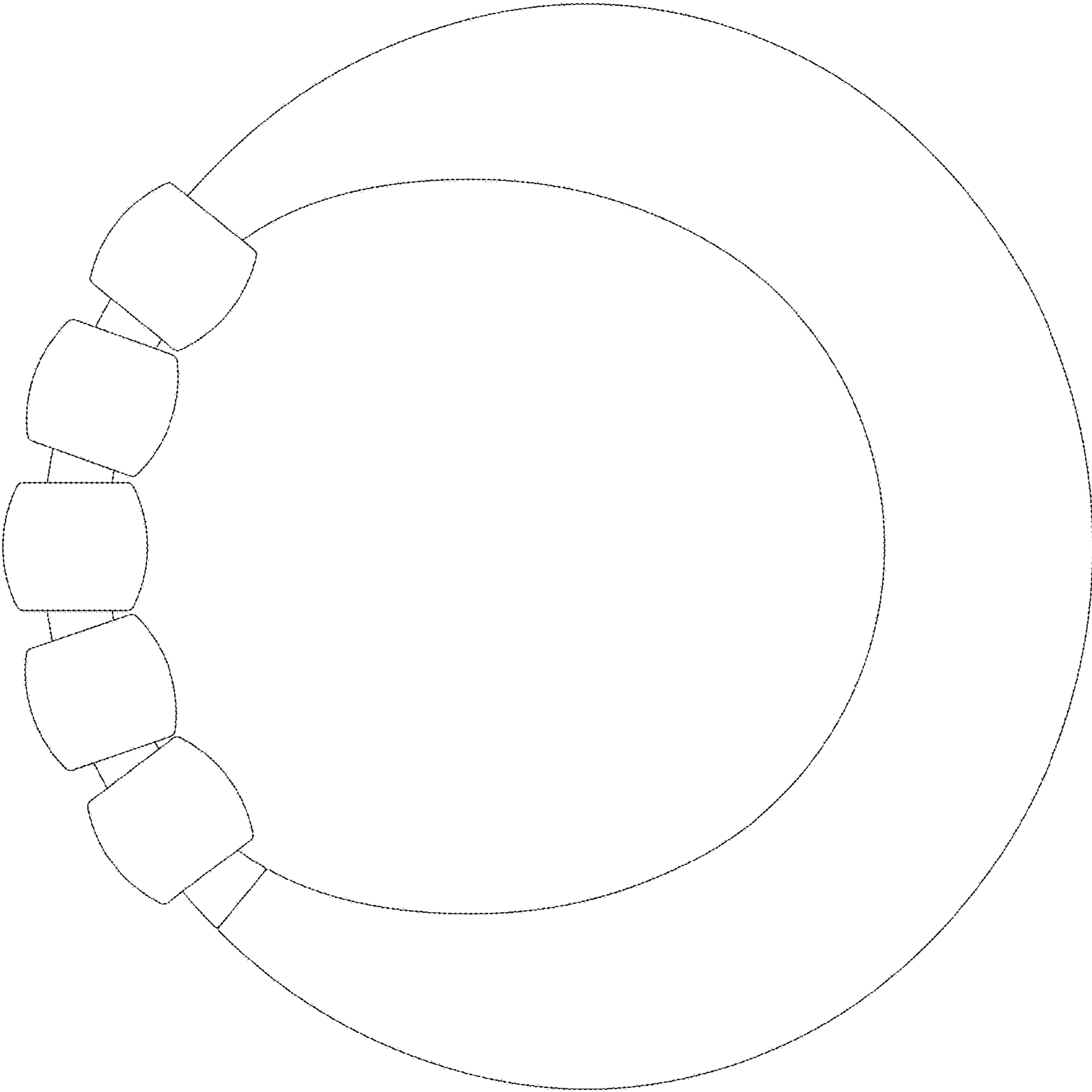


FIG. 1

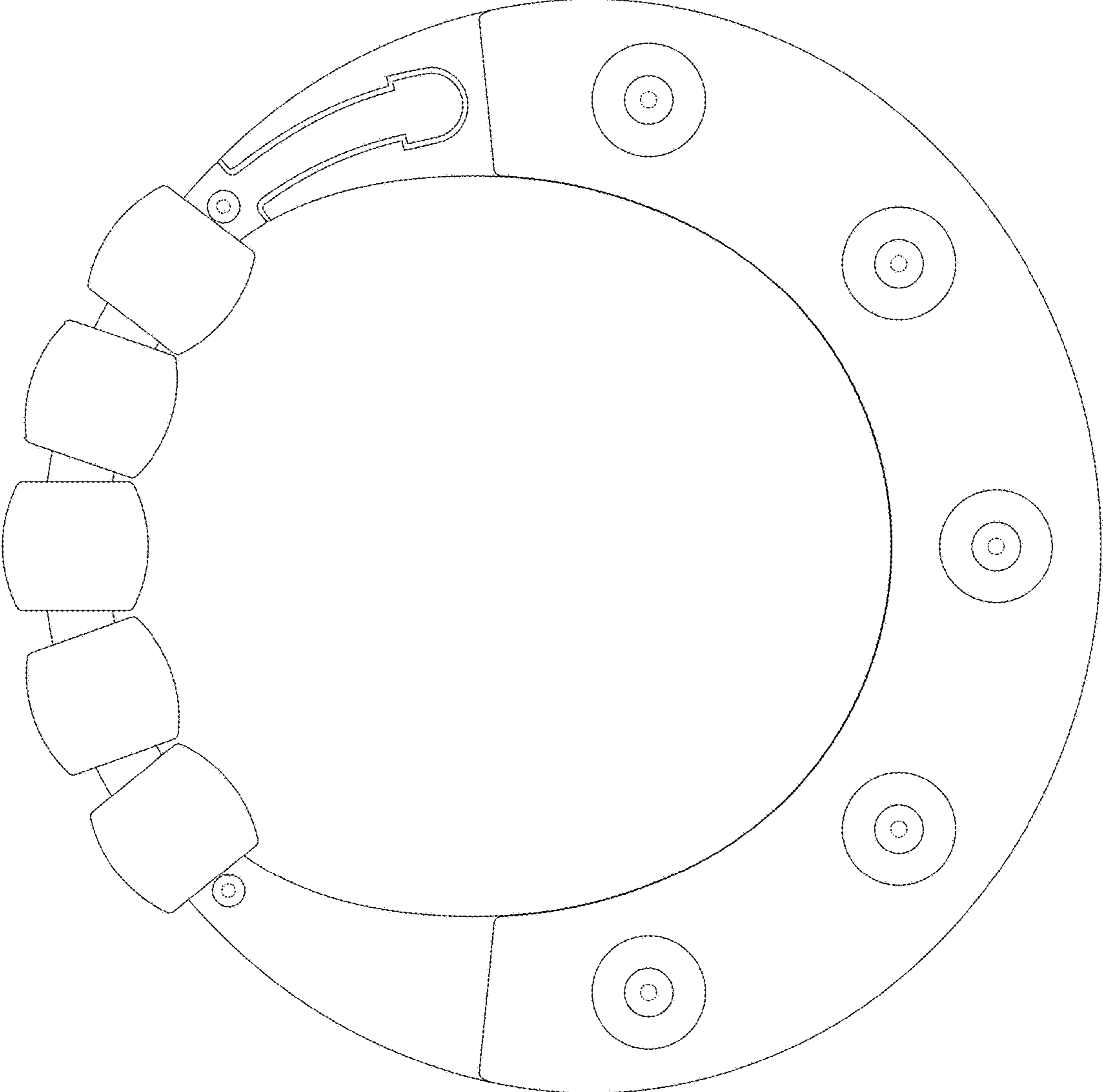


FIG. 2

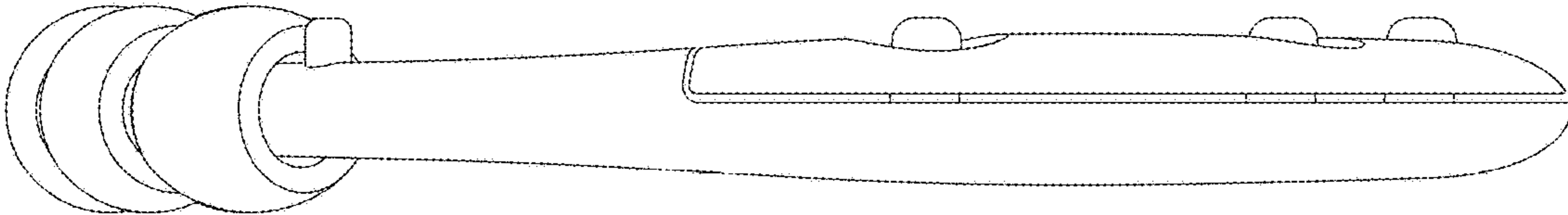


FIG. 3

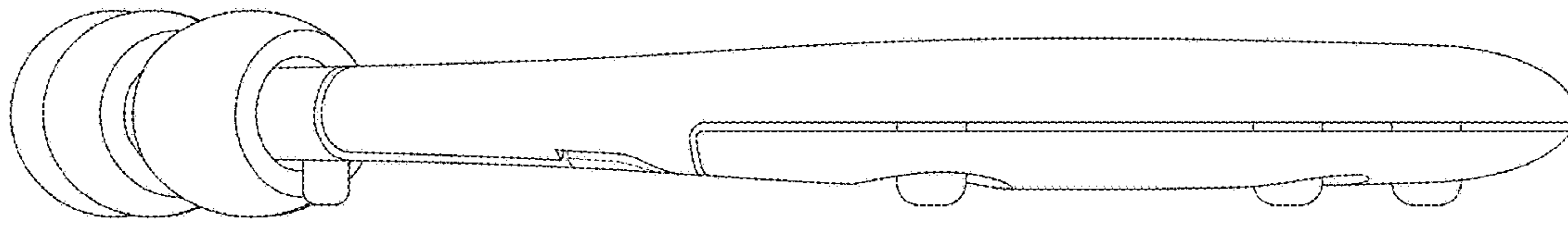


FIG. 4

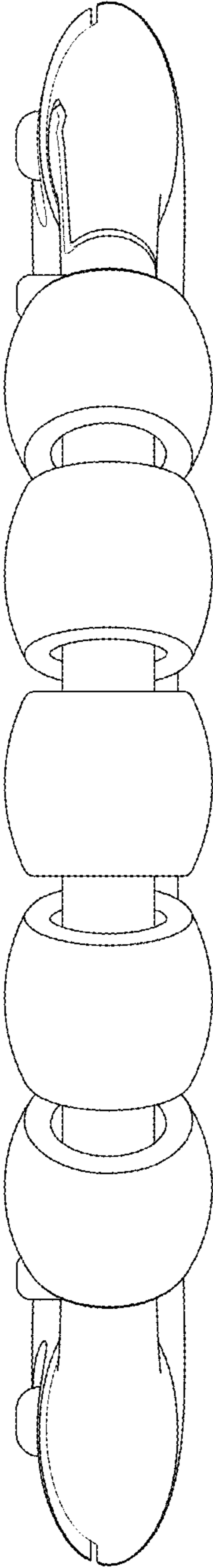


FIG. 5

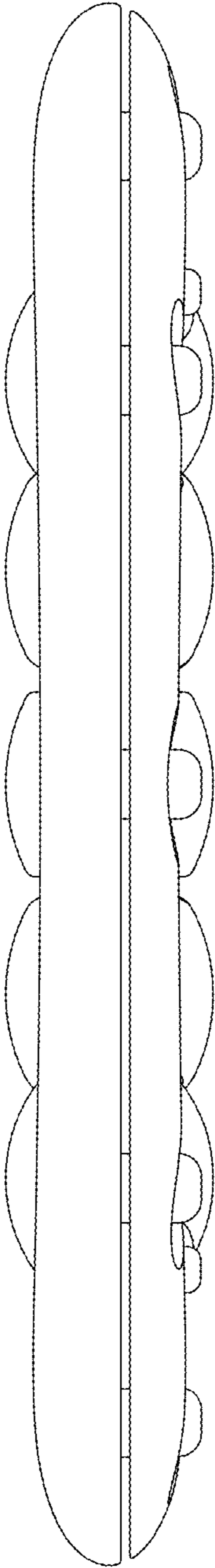


FIG. 6

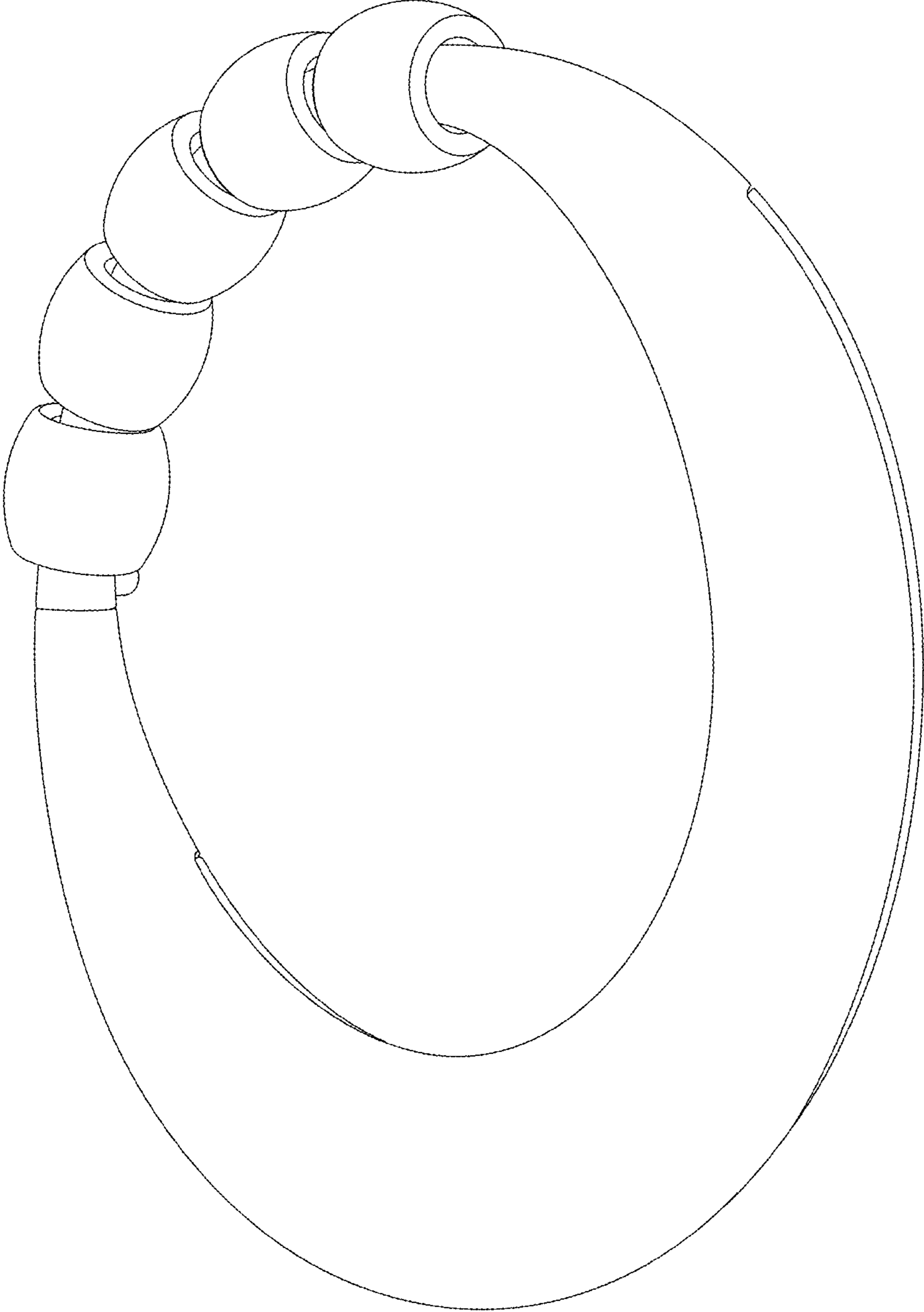


FIG. 7