



US00D803668S

(12) **United States Design Patent**
Bradshaw et al.

(10) **Patent No.:** **US D803,668 S**

(45) **Date of Patent:** **** Nov. 28, 2017**

(54) **LOAD-MOUNTABLE LIFTING EYE**

FOREIGN PATENT DOCUMENTS

(71) Applicant: **MJT Holdings, LLC**, Valdosta, GA
(US)

DE 202014102175 U1 7/2014
EP 0654611 A1 6/1995
NO 2015014346 A1 2/2015

(72) Inventors: **Benjie Bradshaw**, Valdosta, GA (US);
Patrick Giles, Hahira, GA (US)

Primary Examiner — Cynthia Underwood
(74) *Attorney, Agent, or Firm* — Lance M. Pritikin

(73) Assignee: **MJT Holdings, LLC**, Valdosta, GA
(US)

(57) **CLAIM**

The ornamental design for a load-mountable lifting eye, as shown and described.

(**) Term: **15 Years**

DESCRIPTION

(21) Appl. No.: **29/576,349**

FIG. 1 is a top-front perspective view of a load-mountable lifting eye;

(22) Filed: **Sep. 1, 2016**

FIG. 2 is a front elevational view thereof, the rear elevational view being a mirror image thereof;

(51) **LOC (10) Cl.** **08-05**

FIG. 3 is a left side elevational view thereof, the right side elevational view being a mirror image thereof;

(52) **U.S. Cl.**

FIG. 4 is a top plan view thereof;

USPC **D8/367**

FIG. 5 is a bottom plan view thereof;

(58) **Field of Classification Search**

FIG. 6 top-front perspective view of the swivel-mount embodiment thereof, wherein an optional mounting nut and retaining ring are illustrated in broken lines and do not form part of the claimed design;

USPC D8/367, 354, 349, 394, 372; D3/228;
224/247, 197

FIG. 7 is a top-front perspective view thereof, wherein an optional mounting bolt, retaining ring and tightening tool are illustrated in broken lines and do not form part of the claimed design;

CPC F16L 3/13; F16L 3/26; A47G 23/0225;
A47G 25/06; A47G 1/16; A47F 5/0846;
A47F 5/02; H02G 11/003; D06F 55/00;
E04H 17/10; A45F 5/02; F16B 45/02

See application file for complete search history.

FIG. 8 is a cross-sectional view thereof taken along line 8-8 of FIG. 7;

(56) **References Cited**

FIG. 9 is a top-front perspective view of a second embodiment of a load-mountable lifting eye;

U.S. PATENT DOCUMENTS

1,761,978 A 6/1930 Black
2,633,375 A * 3/1953 Wilcoxon B63B 21/56
254/389

2,748,646 A 6/1956 Harold et al.
D198,281 S 5/1964 Mills
3,492,033 A 1/1970 Mueller
4,068,878 A 1/1978 Wilner
4,408,941 A 10/1983 Motz
4,419,785 A 12/1983 McWhirter

FIG. 10 is a front elevational view thereof, the rear elevational view being a mirror image thereof;

FIG. 11 is a left side elevational view thereof, the right side elevational view being a mirror image thereof;

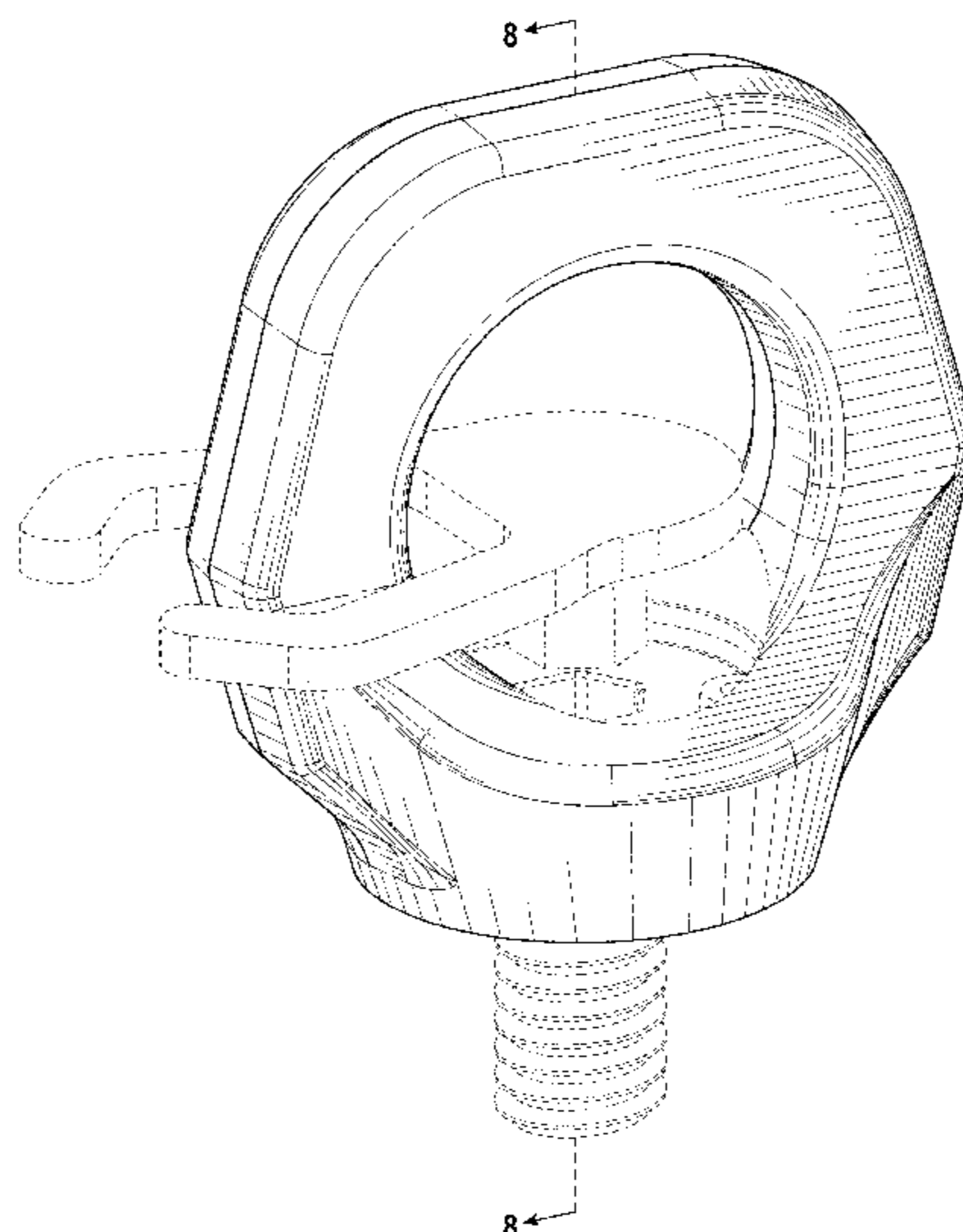
FIG. 12 is a top plan view thereof; and,

FIG. 13 is a bottom plan view thereof.

The broken lines in the Figures represent environmental structure and form no part of the claimed design.

(Continued)

1 Claim, 11 Drawing Sheets



(56)

References Cited

U.S. PATENT DOCUMENTS

4,570,987 A 2/1986 Wong et al.
 4,641,986 A 2/1987 Tsui et al.
 4,828,443 A 5/1989 Simmons
 5,054,982 A 10/1991 Freeman
 5,125,861 A 6/1992 Freeman
 5,439,338 A 8/1995 Rosenberg
 D364,552 S * 11/1995 Mathiassen D8/367
 5,690,457 A 11/1997 Smetz
 5,743,678 A 4/1998 Pitre
 D413,509 S 9/1999 Robertson
 D413,791 S * 9/1999 May D8/387
 D417,139 S * 11/1999 Pitre D8/387
 5,992,910 A * 11/1999 Kwon B66C 1/66
 294/215
 6,039,500 A 3/2000 Kwon
 D433,617 S * 11/2000 Gray, Jr. D8/356
 6,267,422 B1 7/2001 Alba
 6,478,350 B2 11/2002 Zuliani

6,994,501 B2 2/2006 Smetz
 D516,416 S * 3/2006 Friedline D8/380
 D516,903 S * 3/2006 Friedline D8/380
 D519,377 S * 4/2006 Grant D9/516
 7,393,033 B1 7/2008 Bisso, IV
 D605,500 S * 12/2009 Lee D8/387
 D616,744 S * 6/2010 Cresswell D9/443
 7,783,519 B2 8/2010 Alba
 D638,695 S 5/2011 Woodrow et al.
 D700,504 S * 3/2014 Blocker D8/367
 8,757,693 B2 6/2014 Fuller et al.
 D742,724 S * 11/2015 Smetz D8/367
 9,188,151 B2 11/2015 Ivanic et al.
 9,193,570 B2 11/2015 Norpoth
 D752,298 S * 3/2016 Stephens D24/200
 D757,530 S * 5/2016 Straney D8/394
 D781,175 S * 3/2017 Jankowski D11/200
 D782,678 S * 3/2017 Chong D24/146
 9,664,224 B2 * 5/2017 Ivanic B60P 7/0807
 2003/0180118 A1 * 9/2003 Alba B66C 1/66
 411/400

* cited by examiner

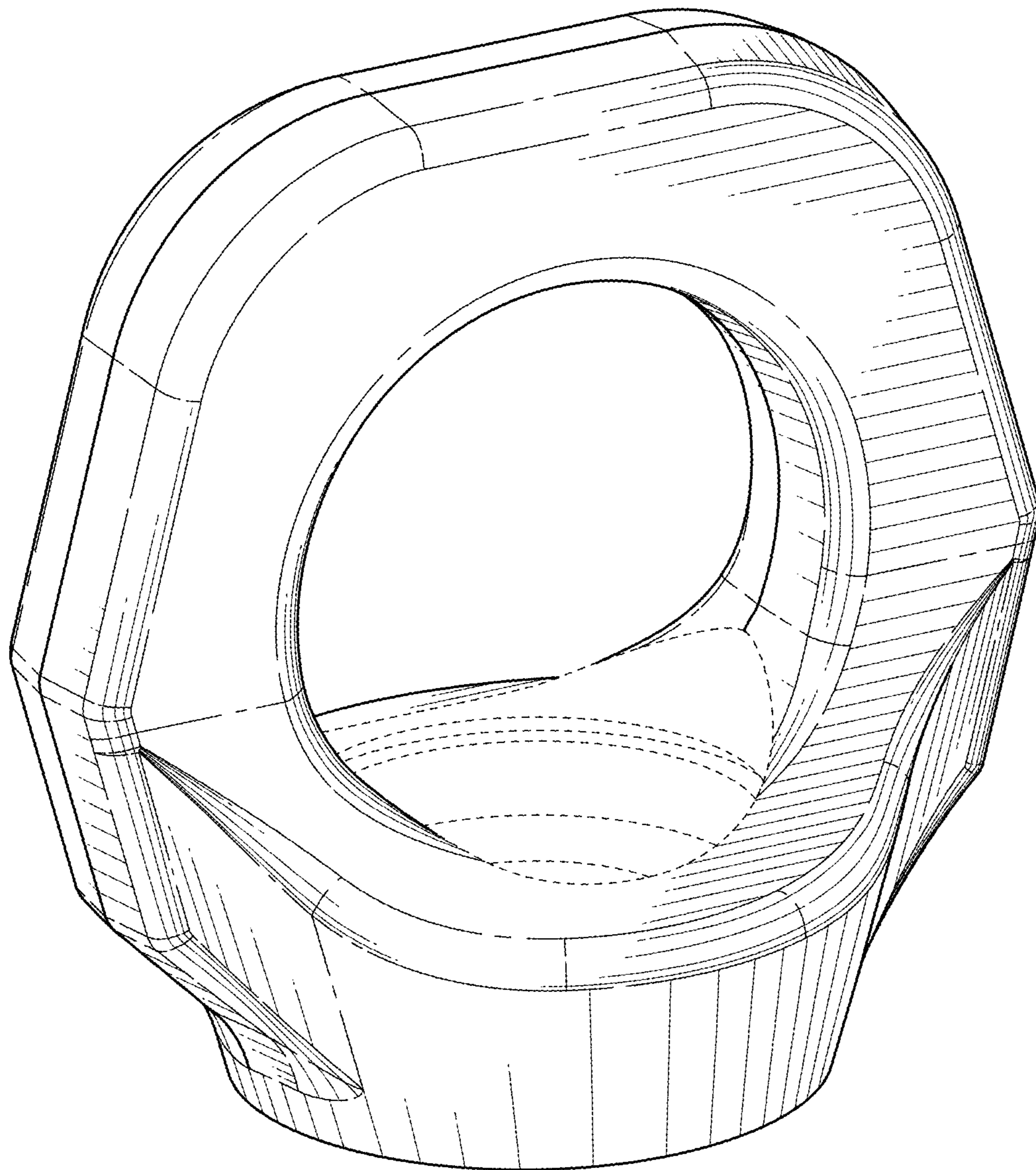


FIG. 1

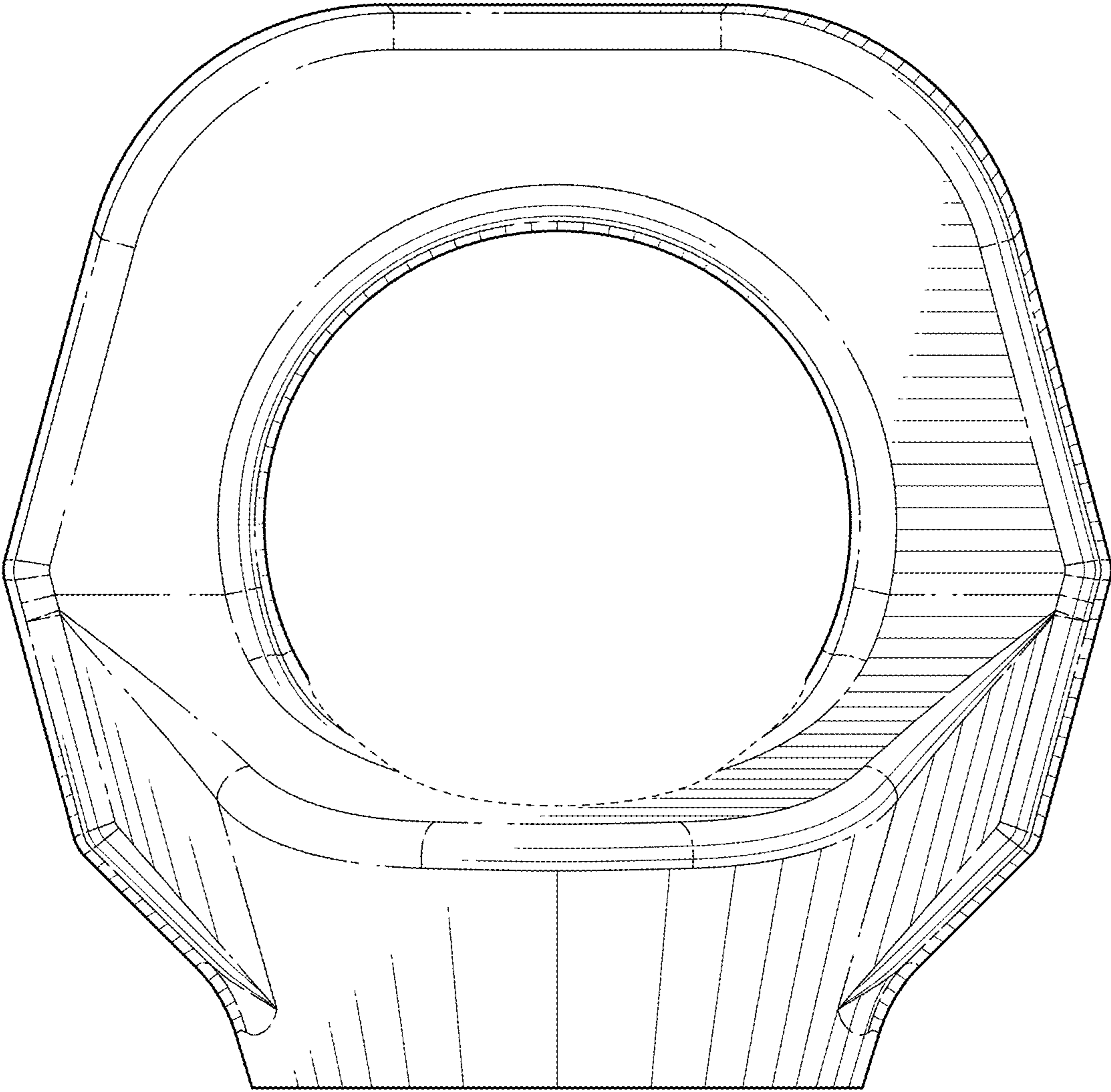


FIG. 2

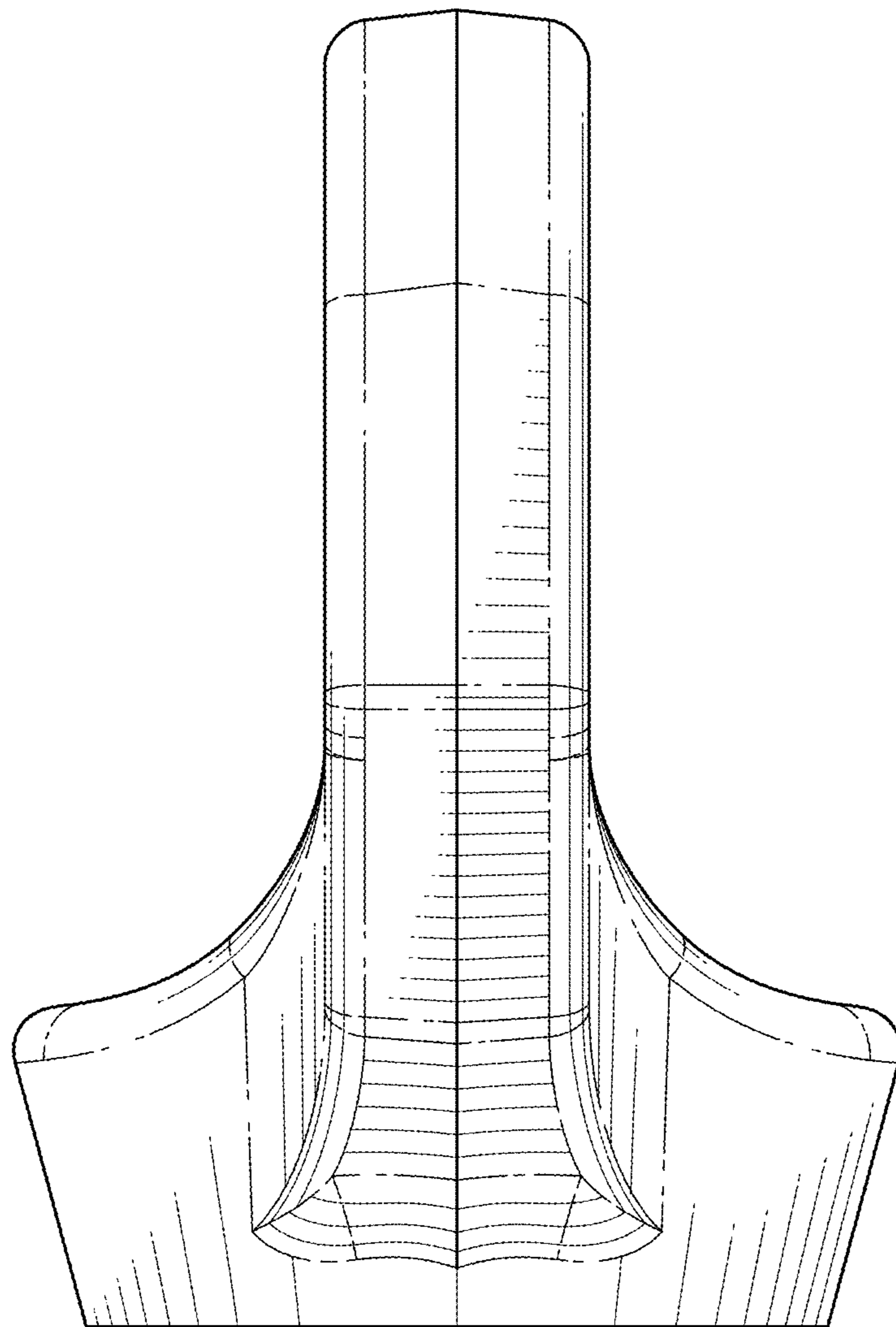


FIG. 3

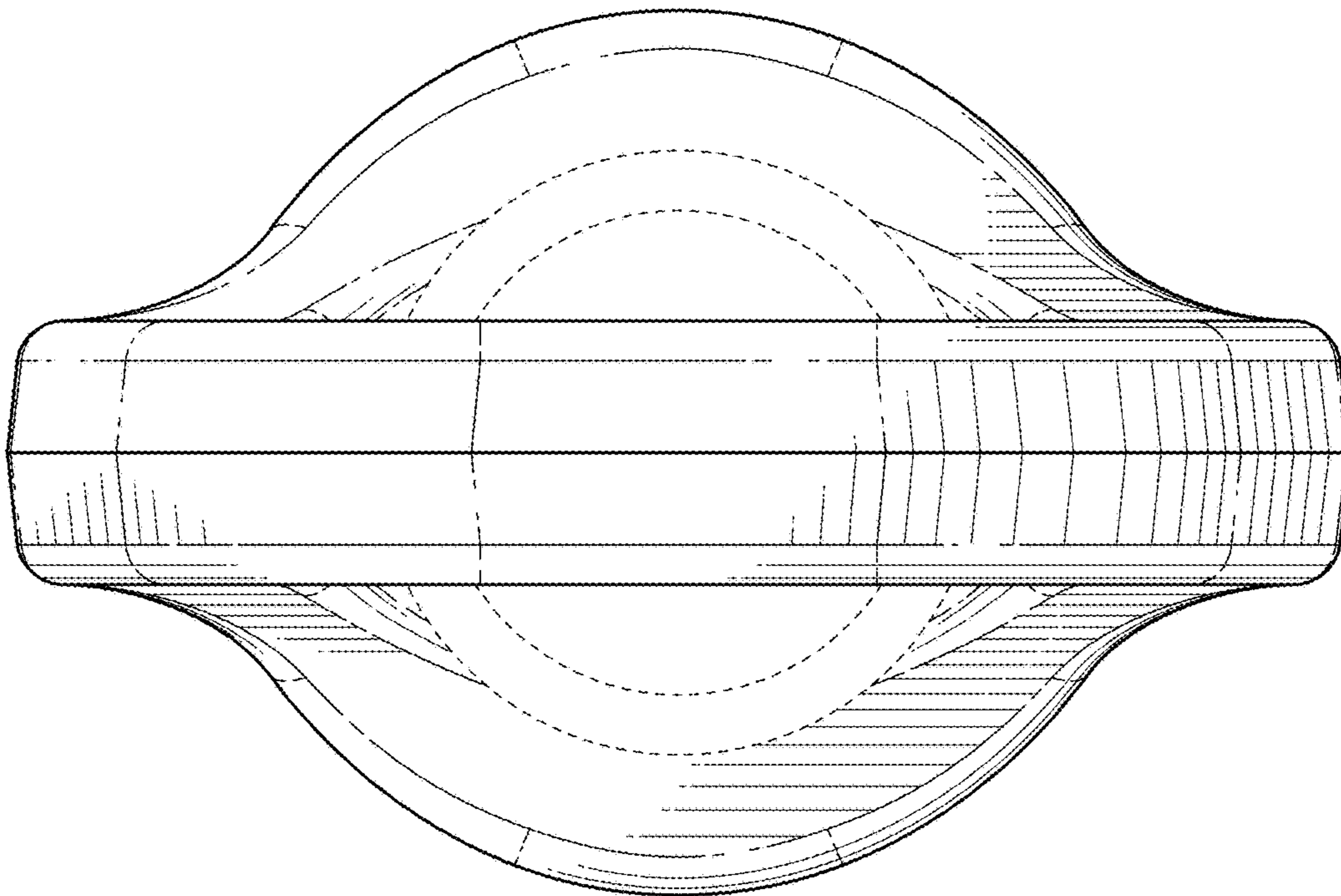


FIG. 4

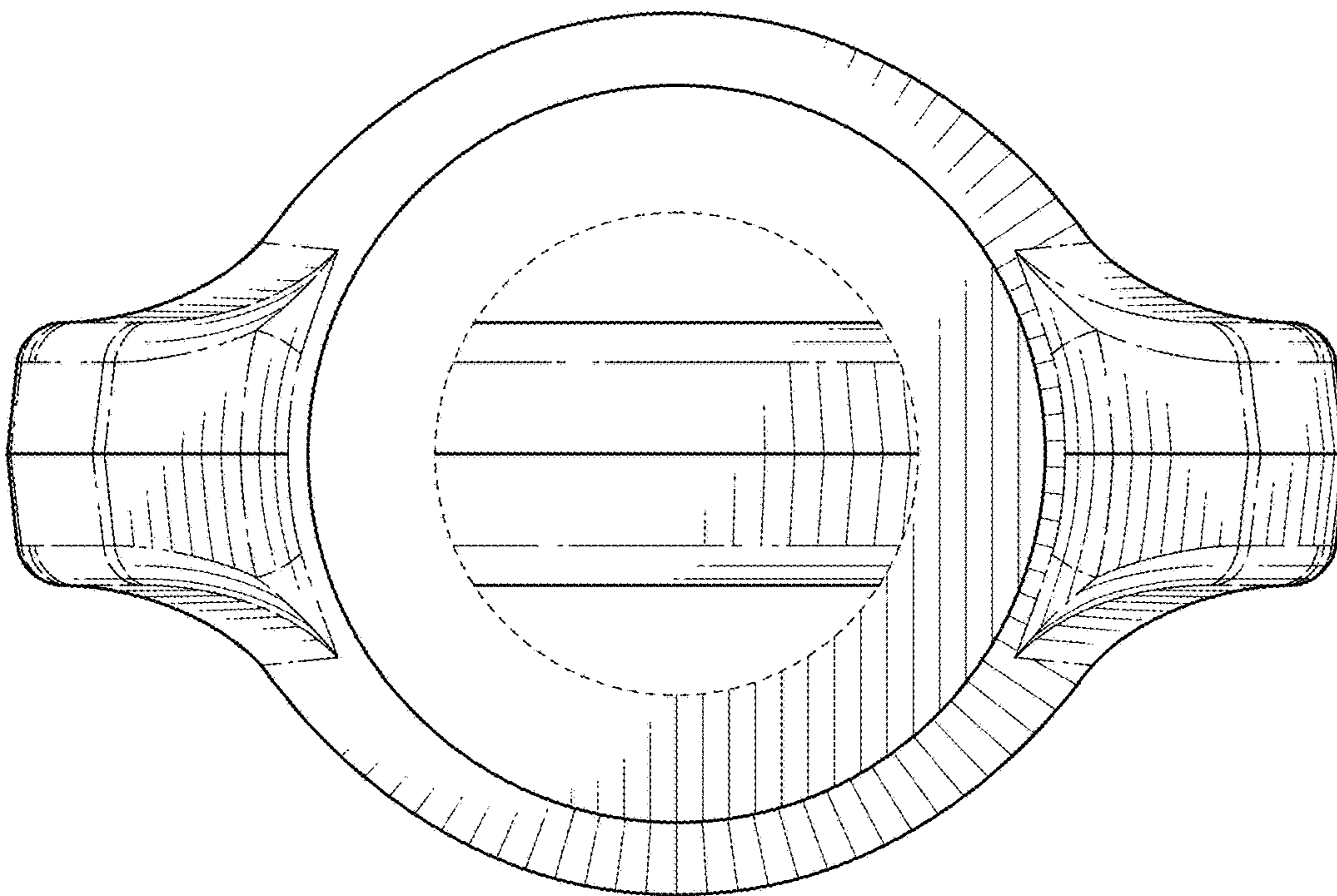


FIG. 5

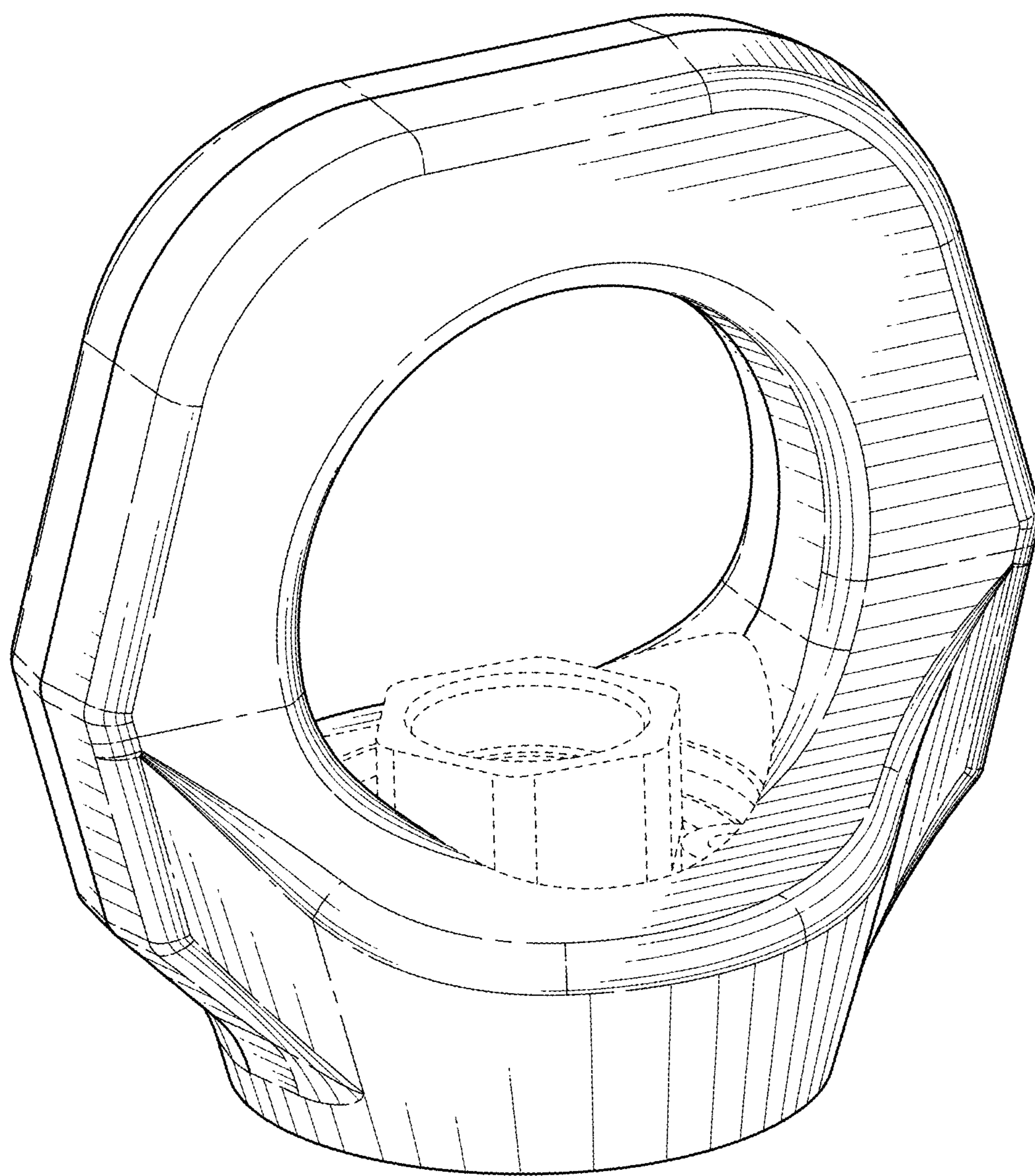


FIG. 6

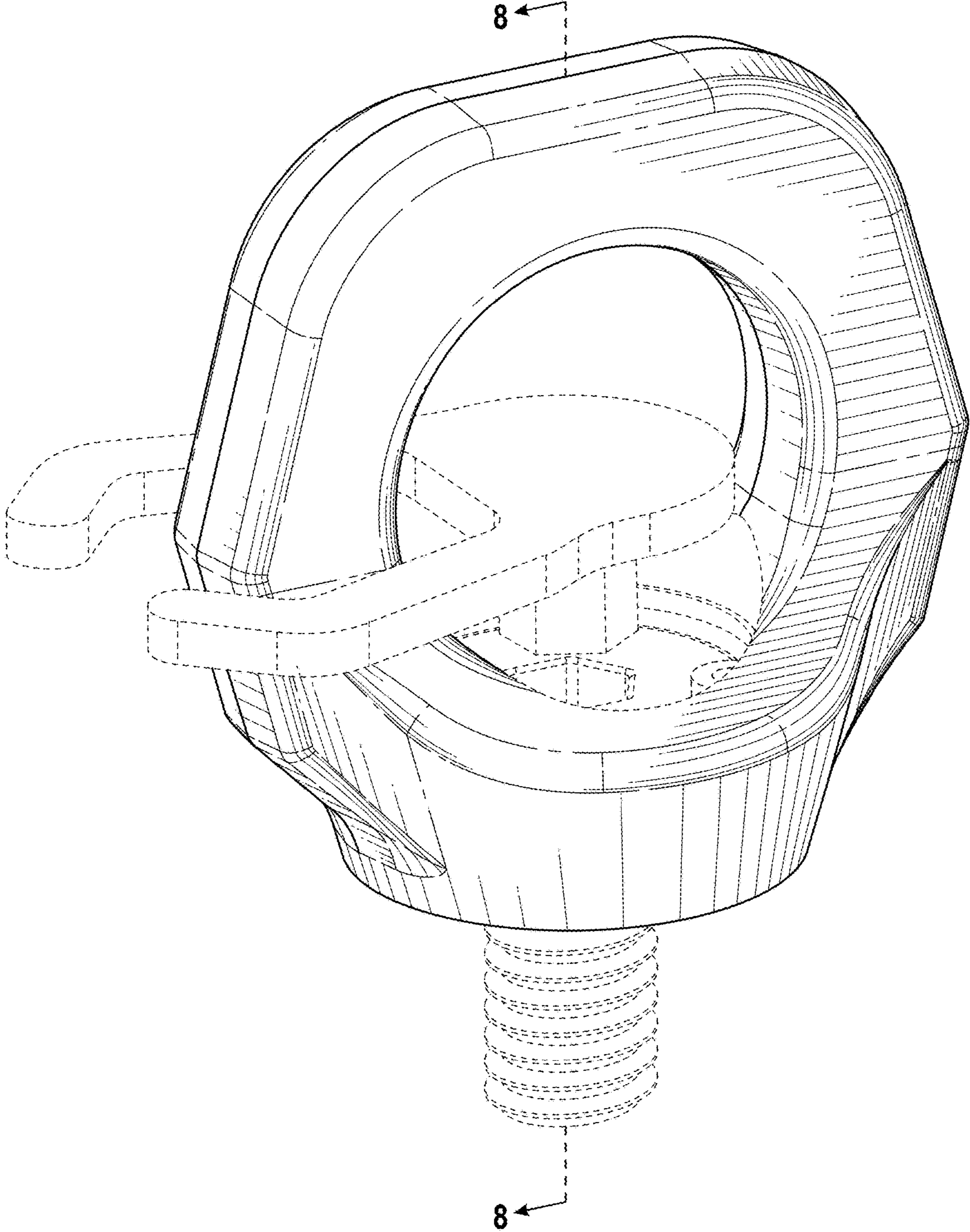


FIG. 7

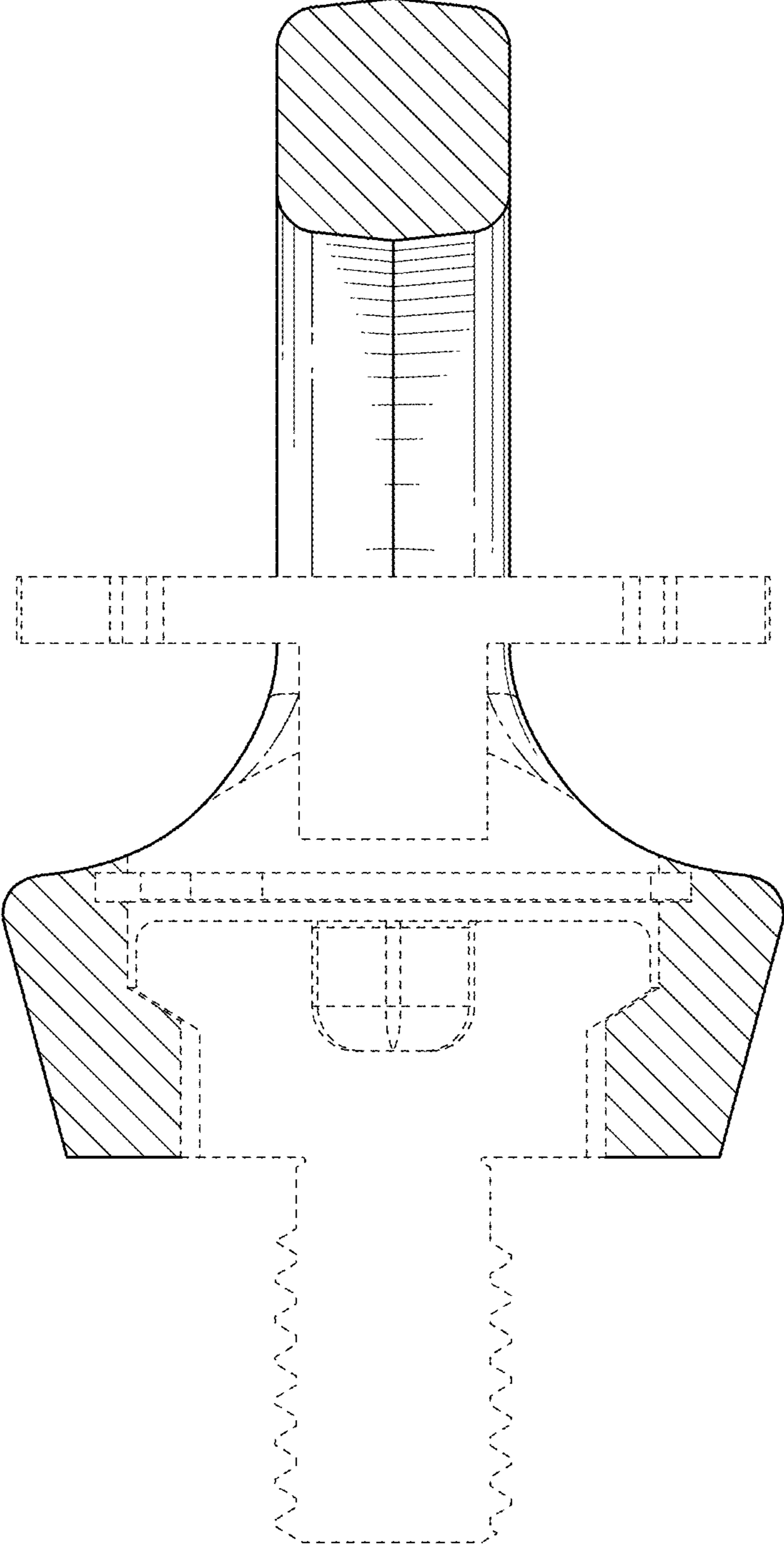


FIG. 8

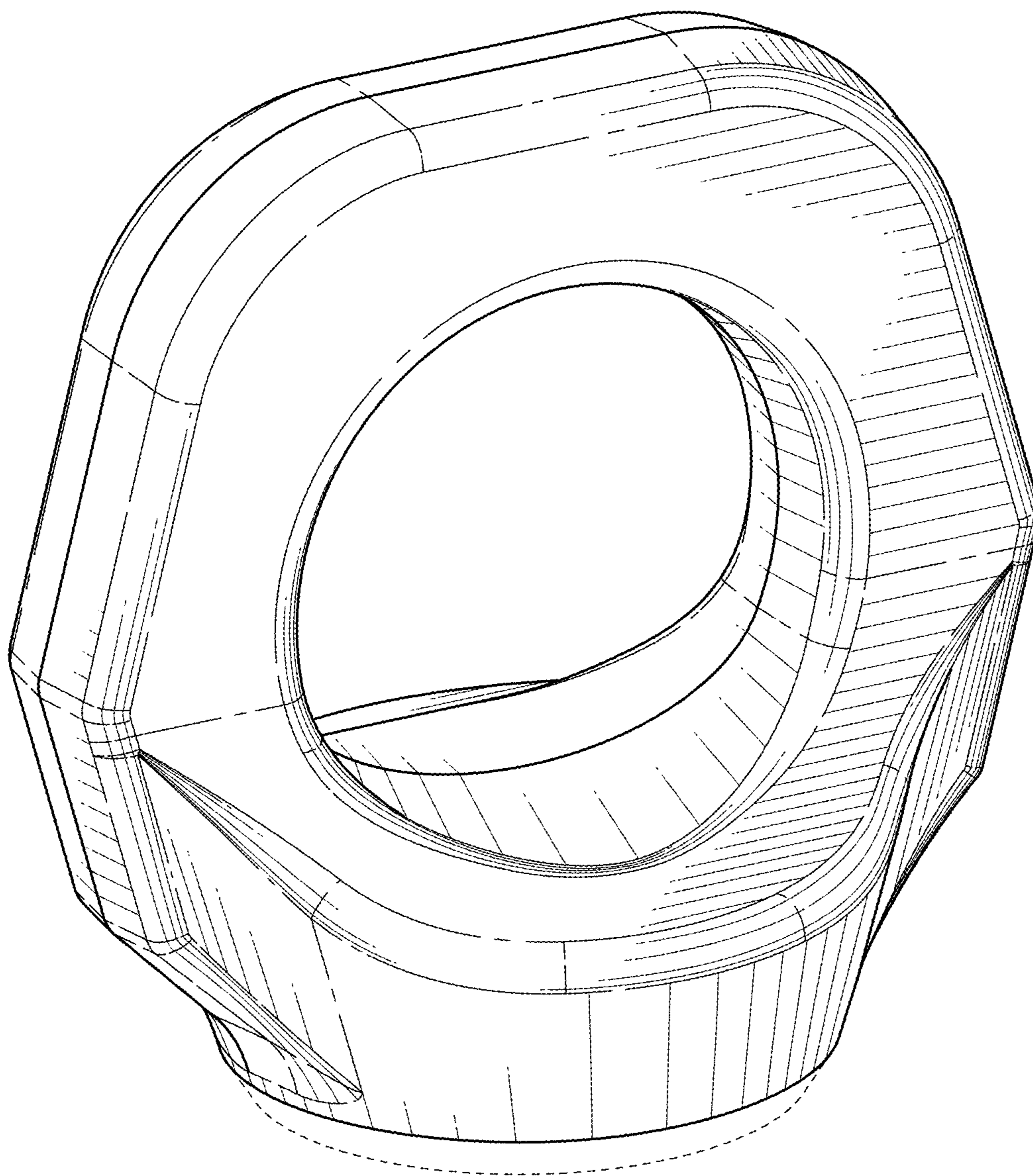


FIG. 9

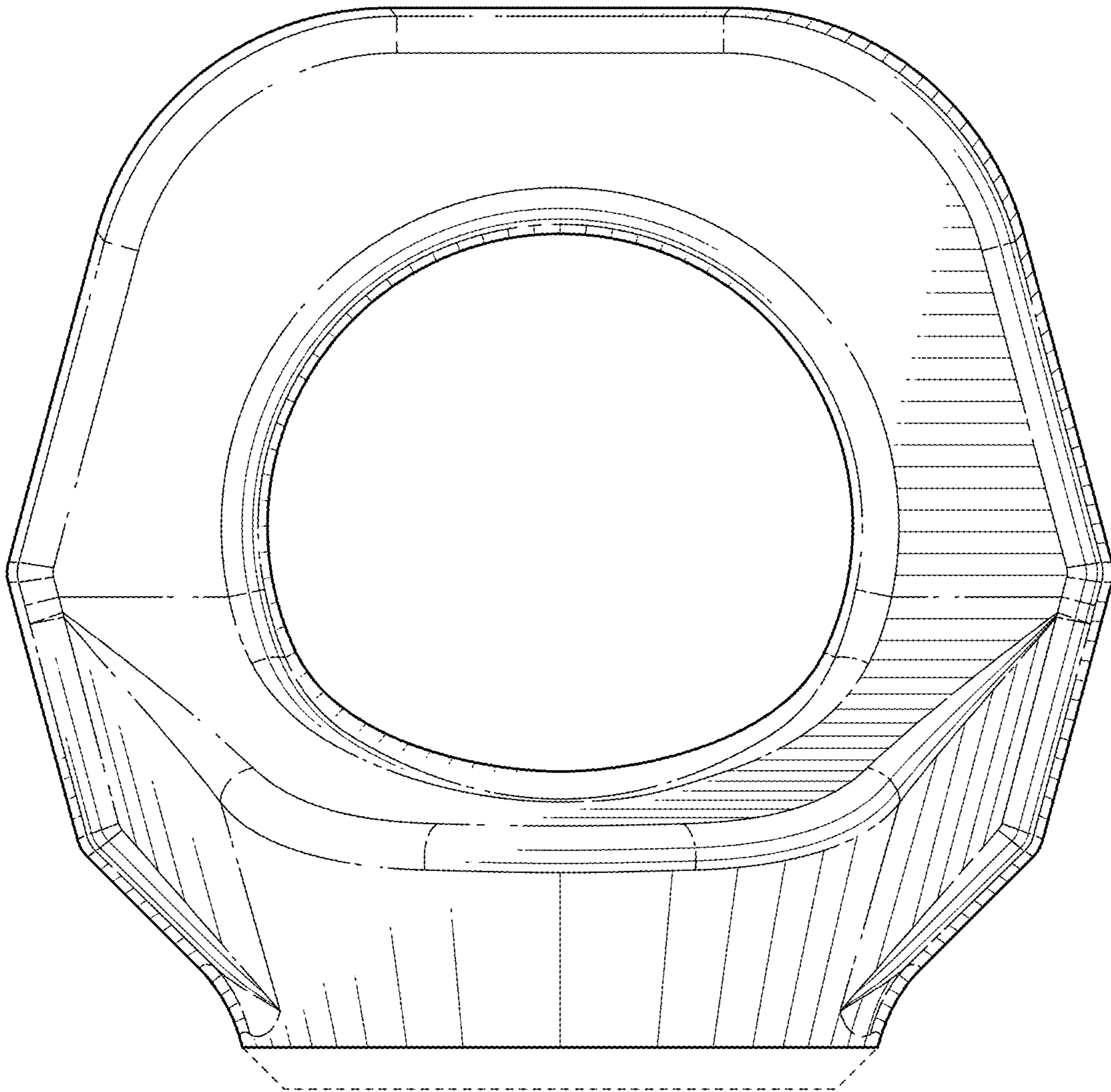


FIG. 10

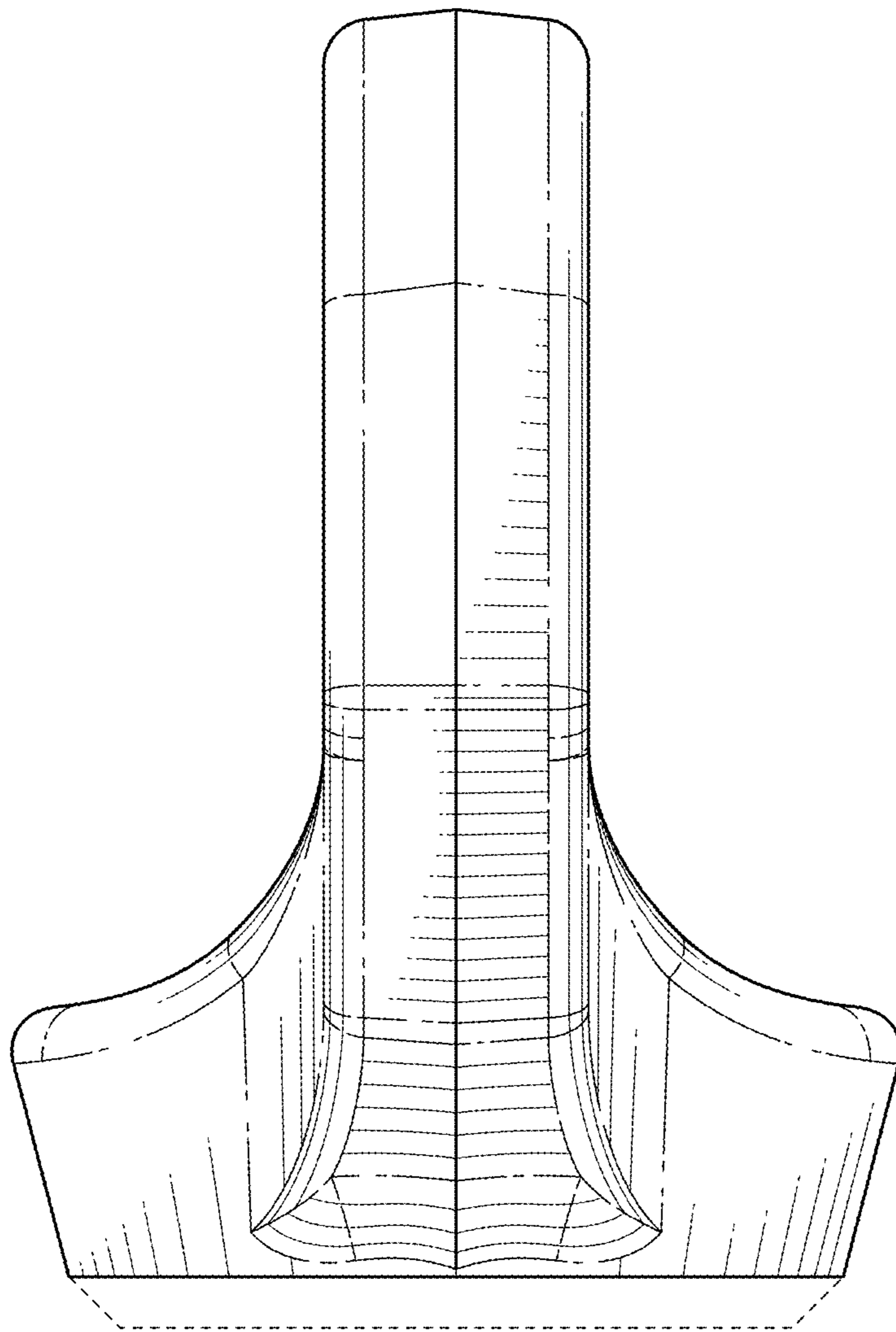


FIG. 11

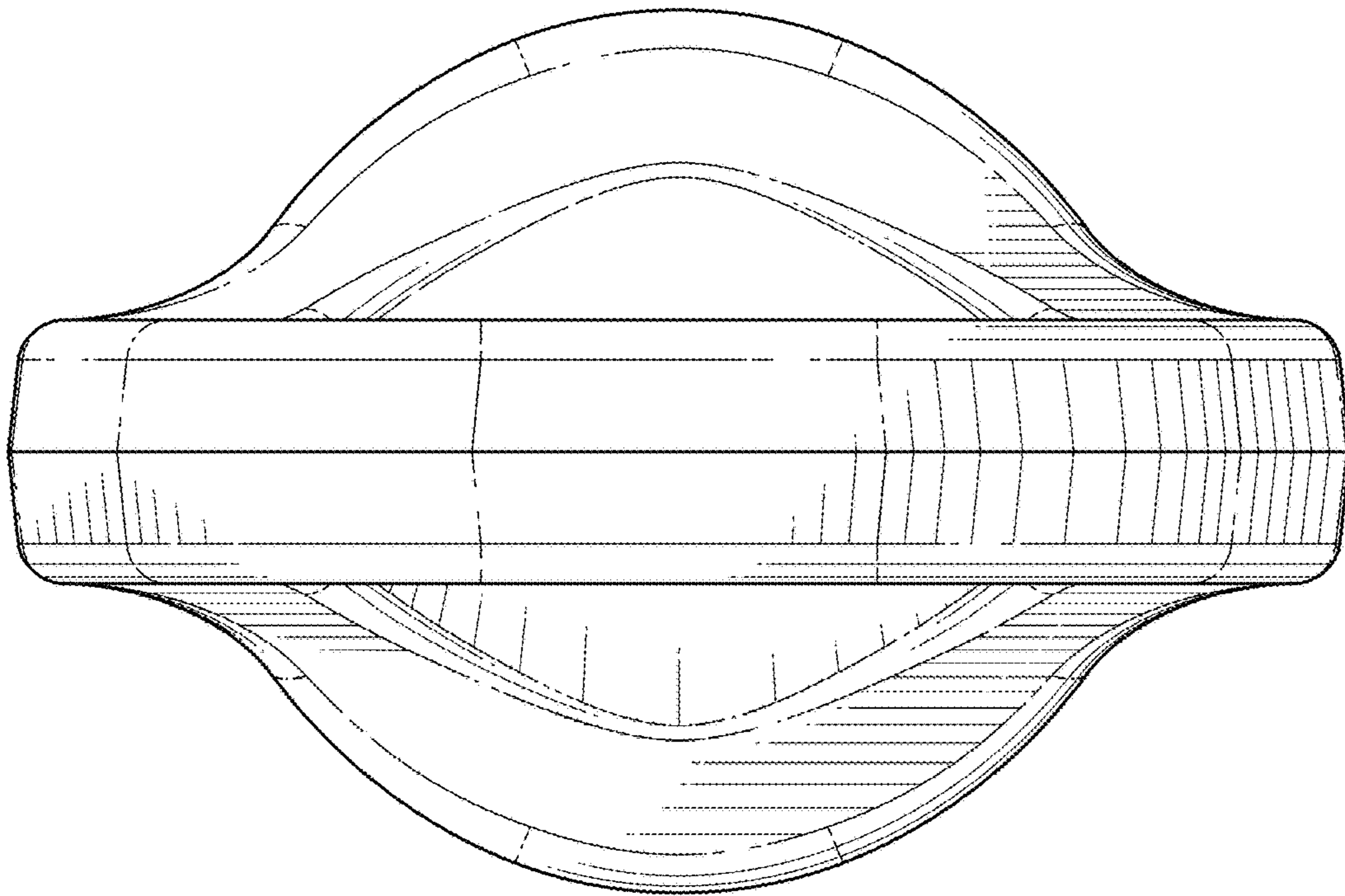


FIG. 12

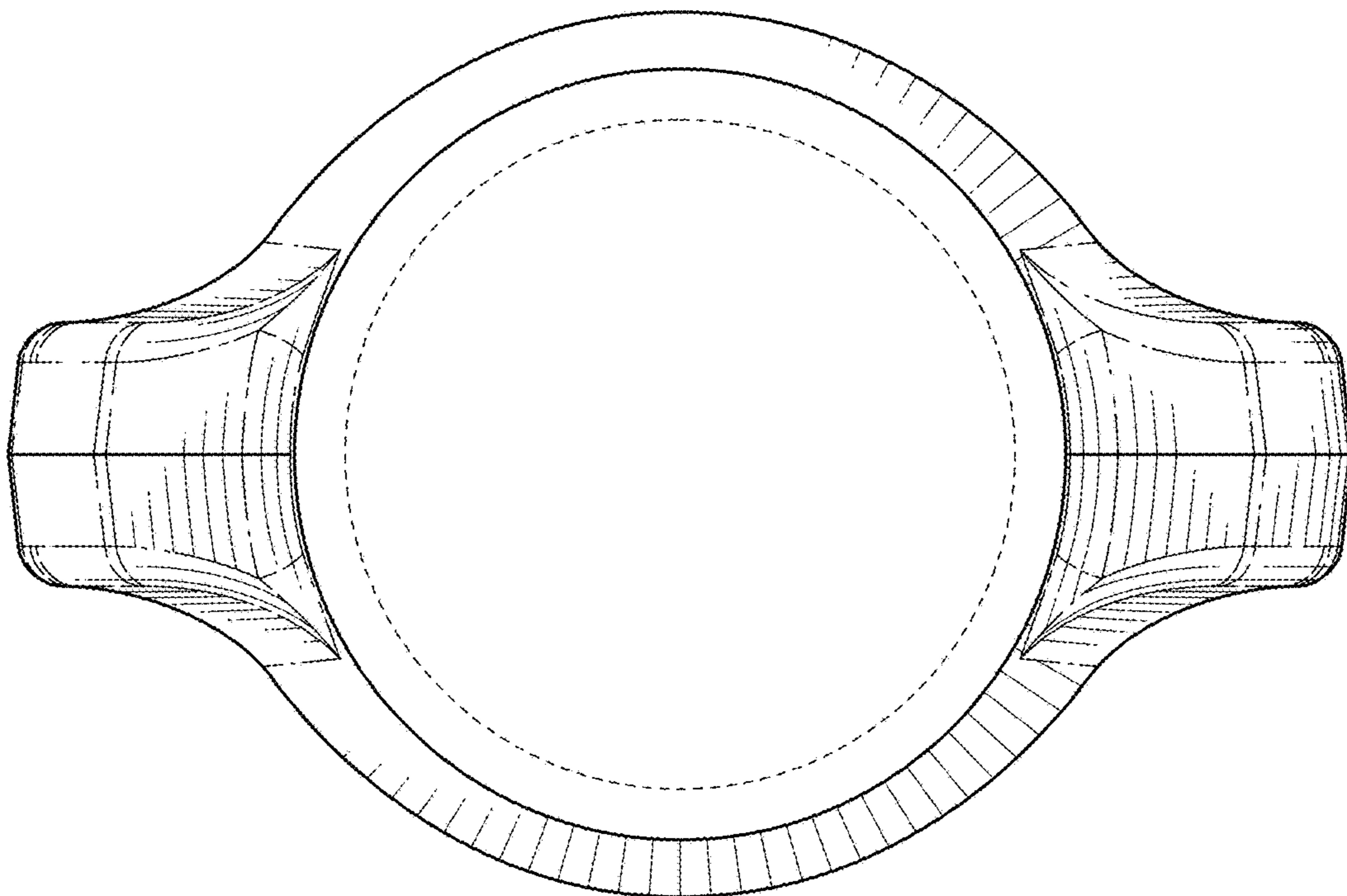


FIG. 13