



US00D803667S

(12) **United States Design Patent** (10) **Patent No.:** **US D803,667 S**
Chen (45) **Date of Patent:** **** Nov. 28, 2017**

(54) **CABLE MANAGEMENT CONTAINER**
(71) Applicant: **Kevin Fong Chen**, Irvine, CA (US)
(72) Inventor: **Kevin Fong Chen**, Irvine, CA (US)
(**) Term: **15 Years**
(21) Appl. No.: **29/590,144**
(22) Filed: **Jan. 6, 2017**

D708,052 S * 7/2014 Symons D8/394
D709,359 S * 7/2014 Symons D8/396
D741,701 S * 10/2015 McNeil D8/356
D741,807 S * 10/2015 Kim D13/133
D758,838 S * 6/2016 Symons D8/383
D761,088 S * 7/2016 Leonard D8/356
D763,666 S * 8/2016 Wengreen D8/356
D765,037 S * 8/2016 Hebert D13/156
D776,517 S * 1/2017 Sterling D8/356
D795,044 S * 8/2017 McNutt D13/156
2009/0094798 A1* 4/2009 Yao A43C 1/00
24/115 G
2010/0148018 A1* 6/2010 Schoenau F16L 5/14
248/74.4

Related U.S. Application Data

(62) Division of application No. 29/557,546, filed on Mar. 9, 2016, now Pat. No. Des. 782,287.
(51) **LOC (10) Cl.** **09-06**
(52) **U.S. Cl.**
USPC **D8/356**
(58) **Field of Classification Search**
USPC D8/356, 354, 349; 206/233
CPC B65H 57/16; E02D 5/803; B63B 21/045;
B63B 59/02; B60D 1/18; B60P 1/103;
B60P 7/0823; Y10T 24/3918; A62B
35/0081; H04R 1/1033; A44B 13/0029
See application file for complete search history.

* cited by examiner

Primary Examiner — Cynthia Underwood
(74) *Attorney, Agent, or Firm* — Quickpatents, LLC;
Kevin Prince

(56) **References Cited**

U.S. PATENT DOCUMENTS

D264,828 S * 6/1982 Gray D11/87
D323,102 S * 1/1992 Kipling D8/331
D331,725 S * 12/1992 Mastoloni 59/80
D460,421 S * 7/2002 Marozsan, Jr. D13/156
D466,433 S * 12/2002 Goto D11/87
D569,349 S * 5/2008 Preston D13/156
D627,001 S * 11/2010 de Niet D20/22
D649,444 S * 11/2011 Gallagher, Jr. D8/383
D660,138 S * 5/2012 Gallagher, Jr. D11/87
D667,796 S * 9/2012 Boussekey D13/156
D675,579 S * 2/2013 Rucker D13/156
8,602,370 B2* 12/2013 McKenzie A47G 25/0614
248/215

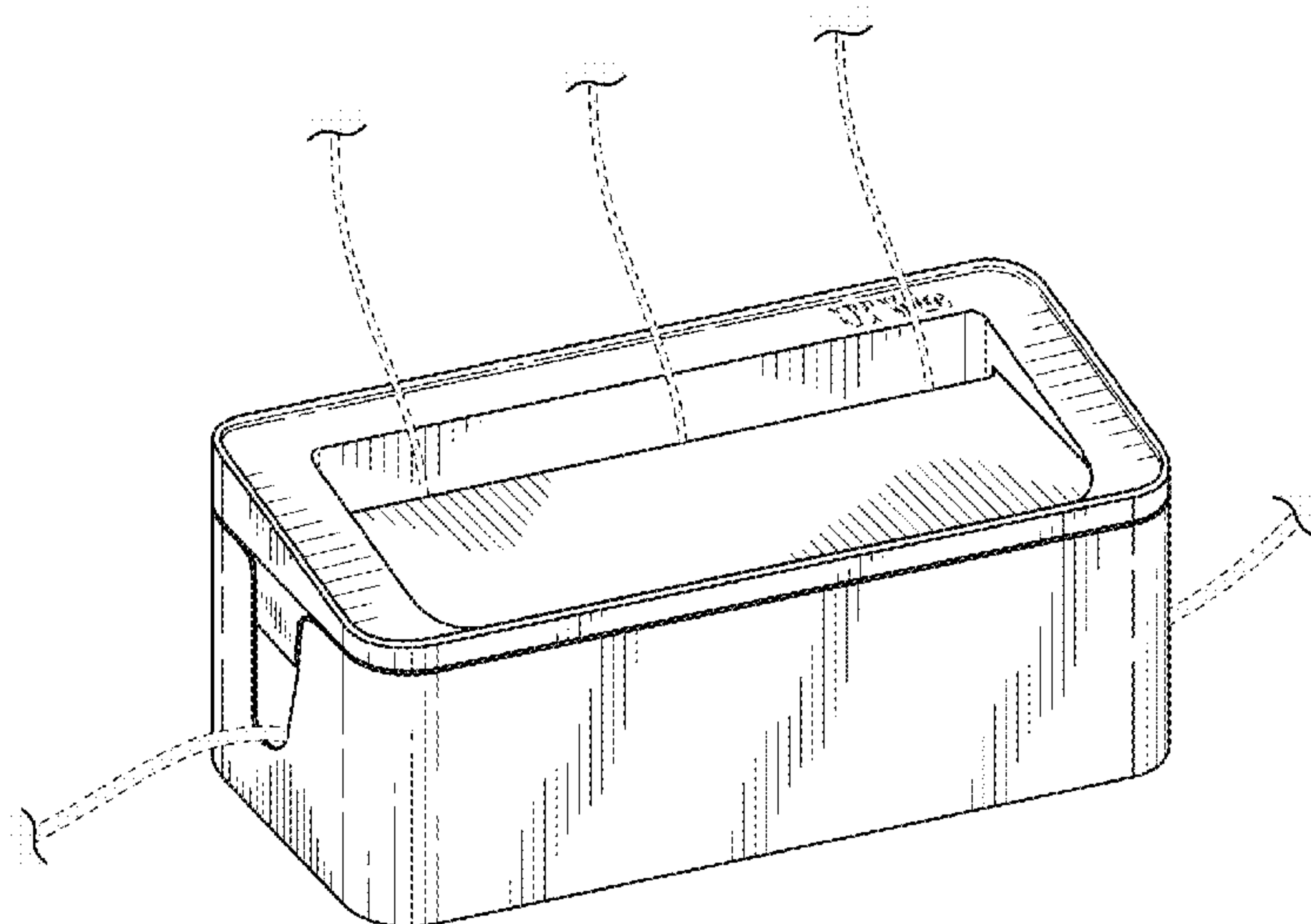
(57) **CLAIM**

I claim the ornamental design for a cable management container, as shown and described.

DESCRIPTION

FIG. 1 is a perspective view of a cable management container, showing my new design;
FIG. 2 is a front elevational view thereof;
FIG. 3 is a rear elevational view thereof;
FIG. 4 is a left-side elevational view thereof, the right-side elevational view being a mirror image thereof;
FIG. 5 is a top plan view thereof; and,
FIG. 6 is a bottom plan view thereof.
The broken lines showing cables in FIG. 1, and a logo in FIGS. 1 and 5 depict environmental matter and form no part of the claimed design. The broken lines showing a cord aperture in FIG. 5 depict portions of the cable management container that form no part of the claimed design.

1 Claim, 3 Drawing Sheets



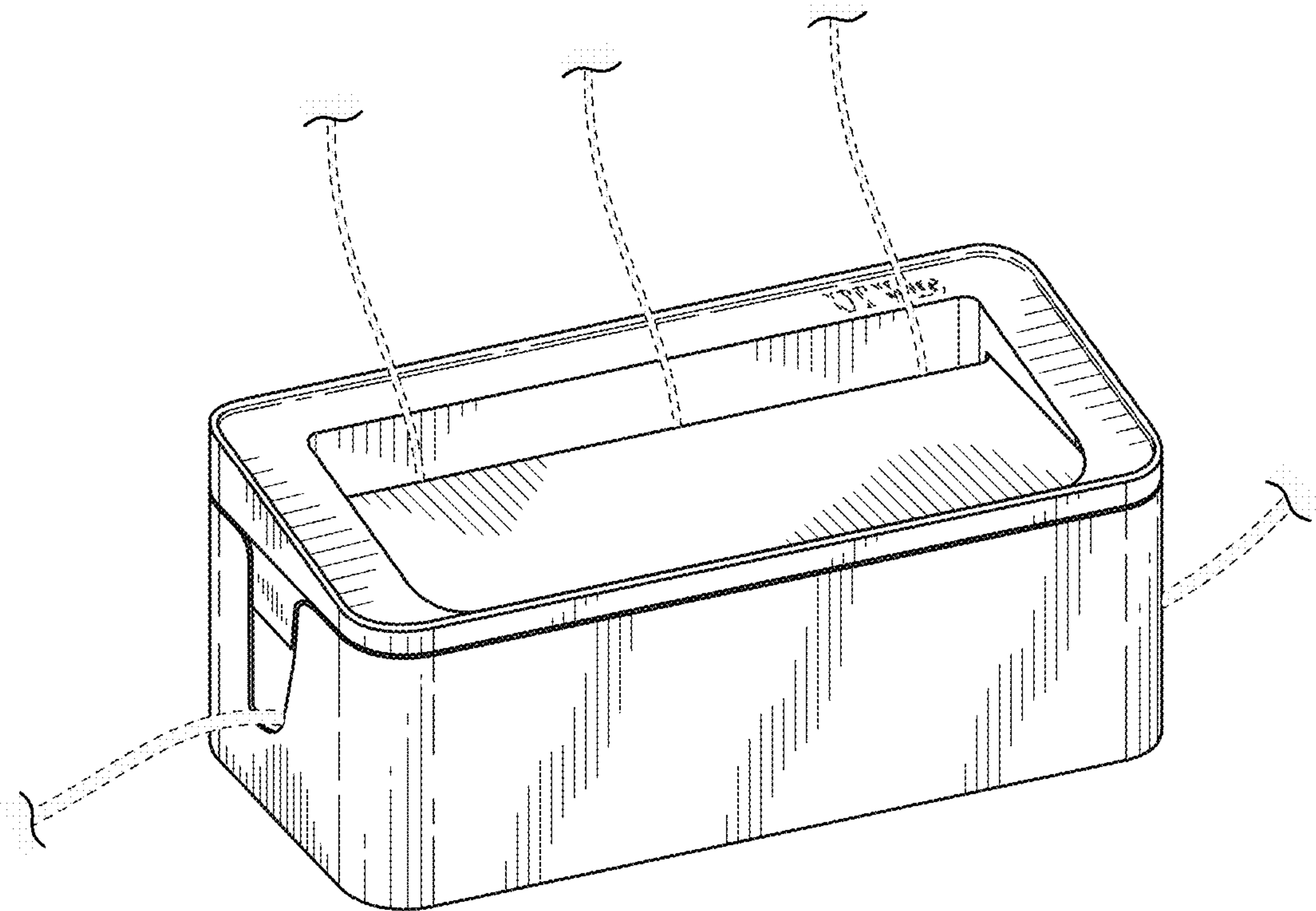


FIG. 1

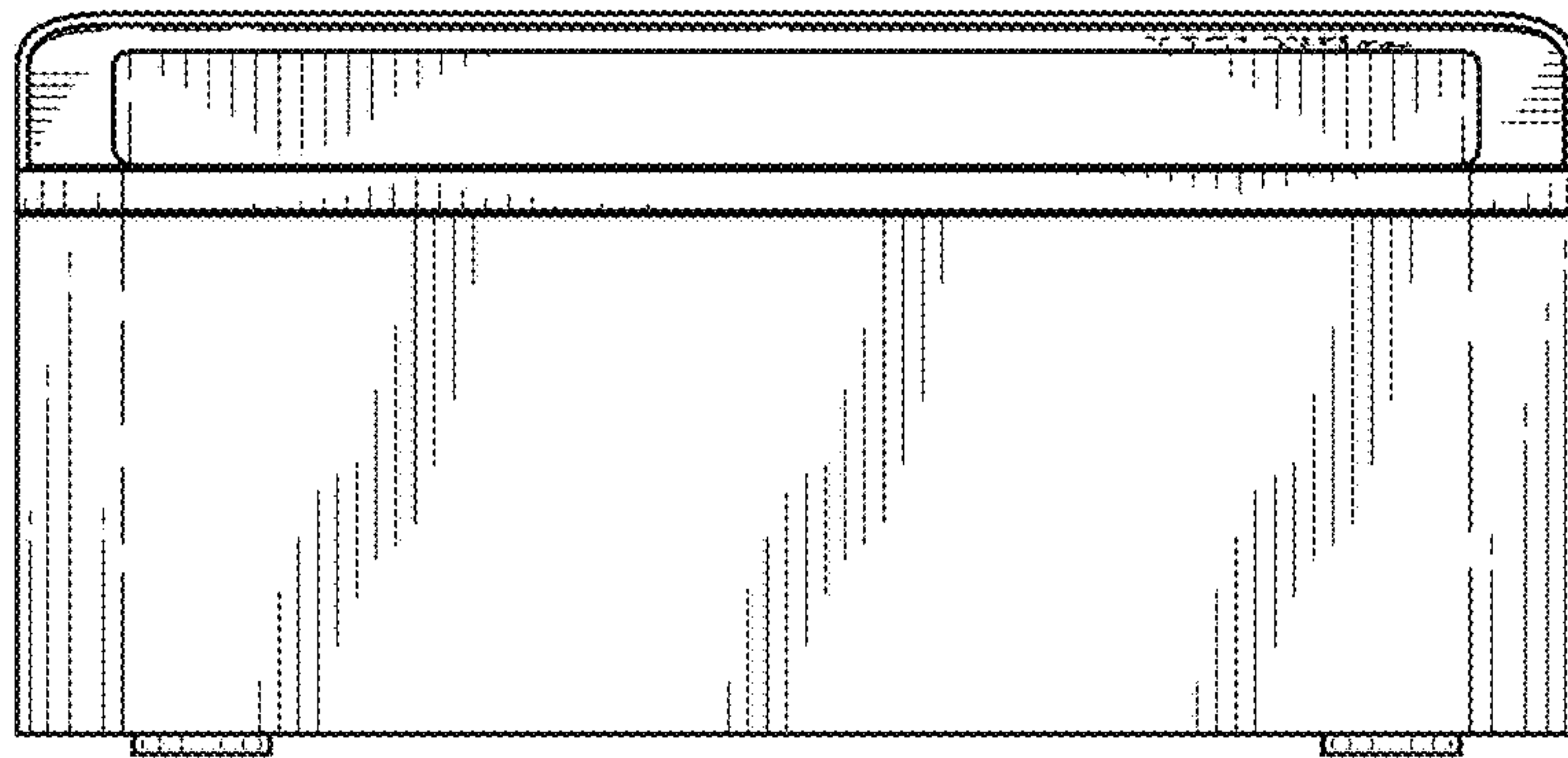


FIG. 2

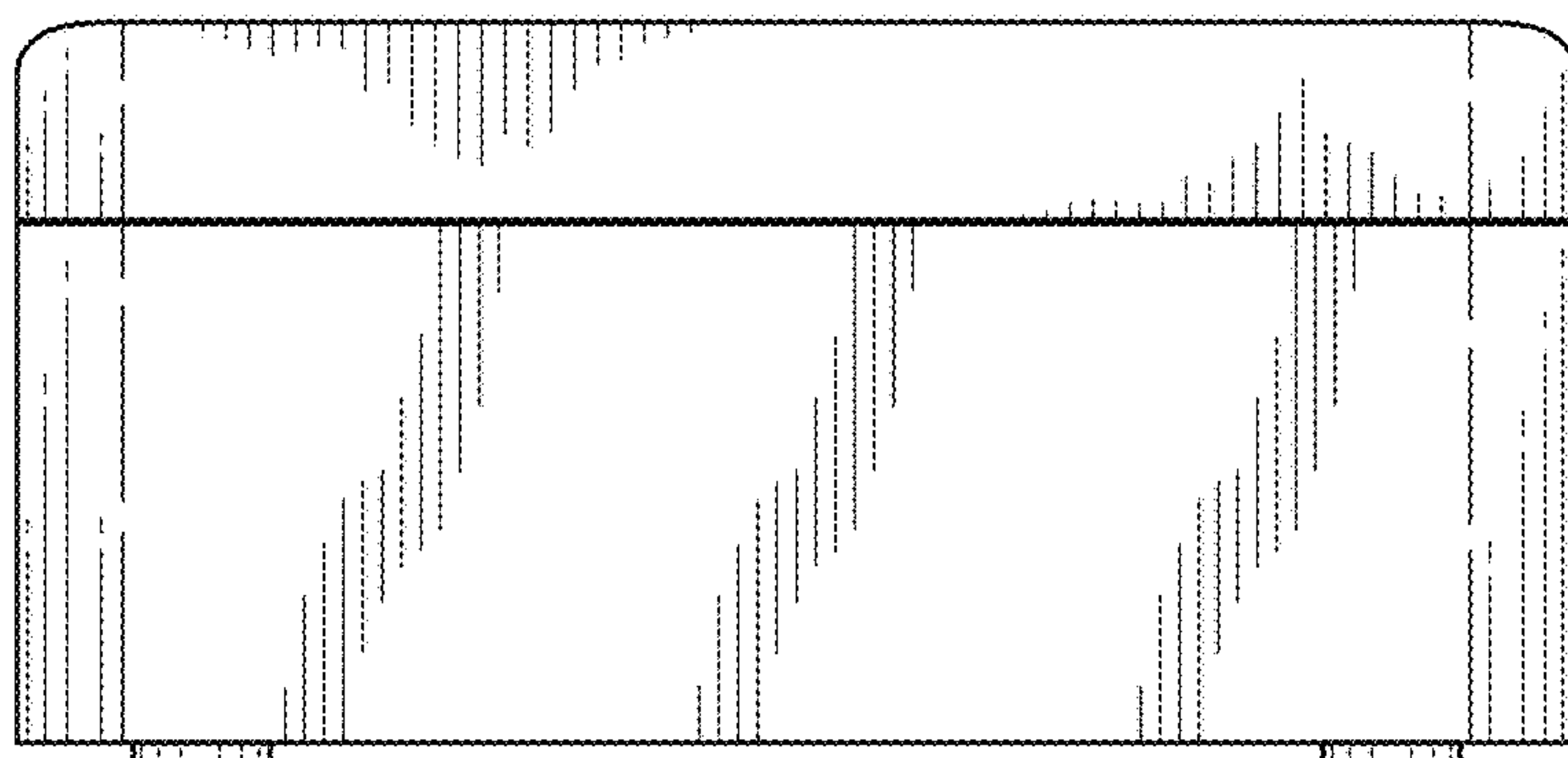


FIG. 3

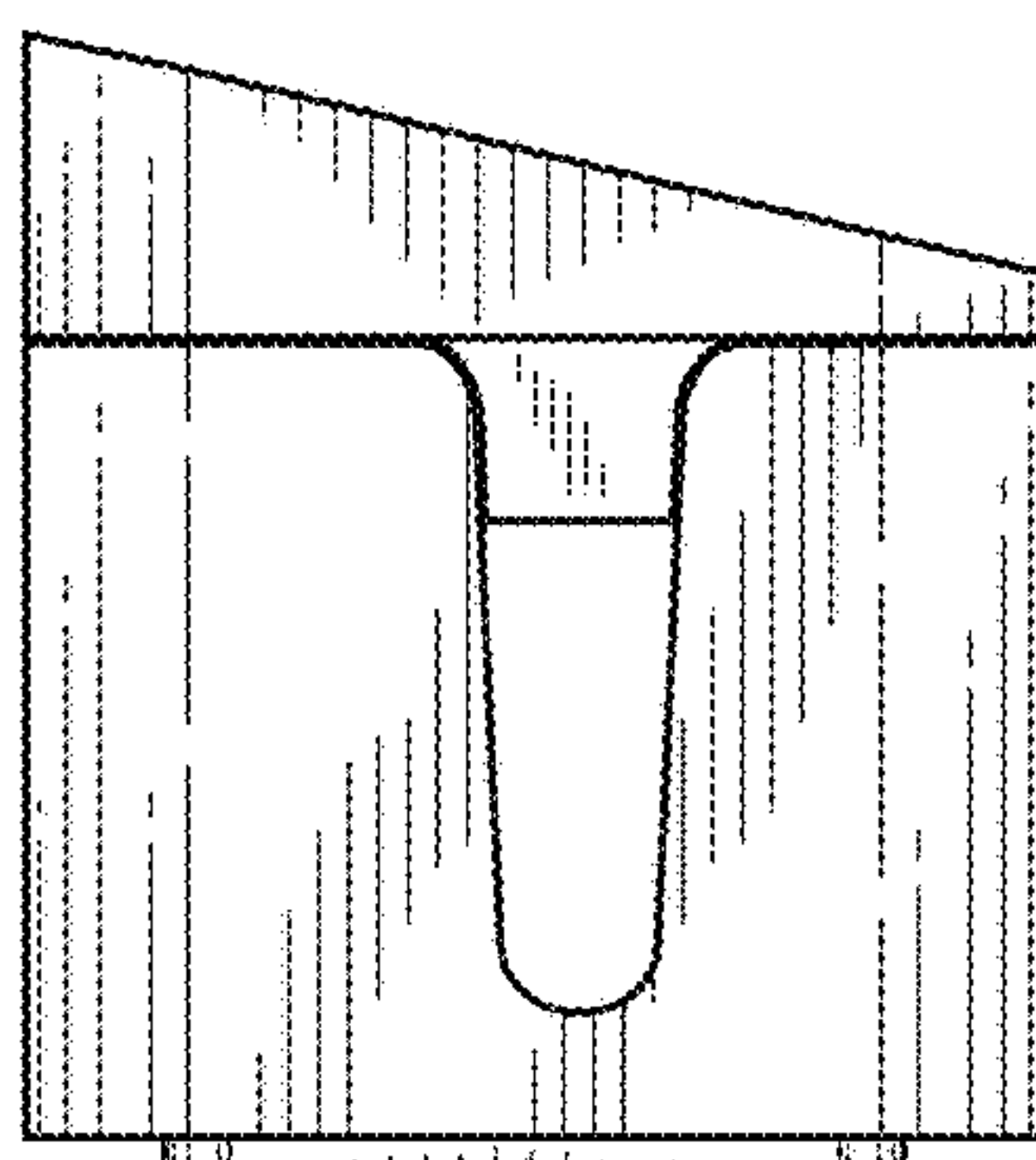


FIG. 4

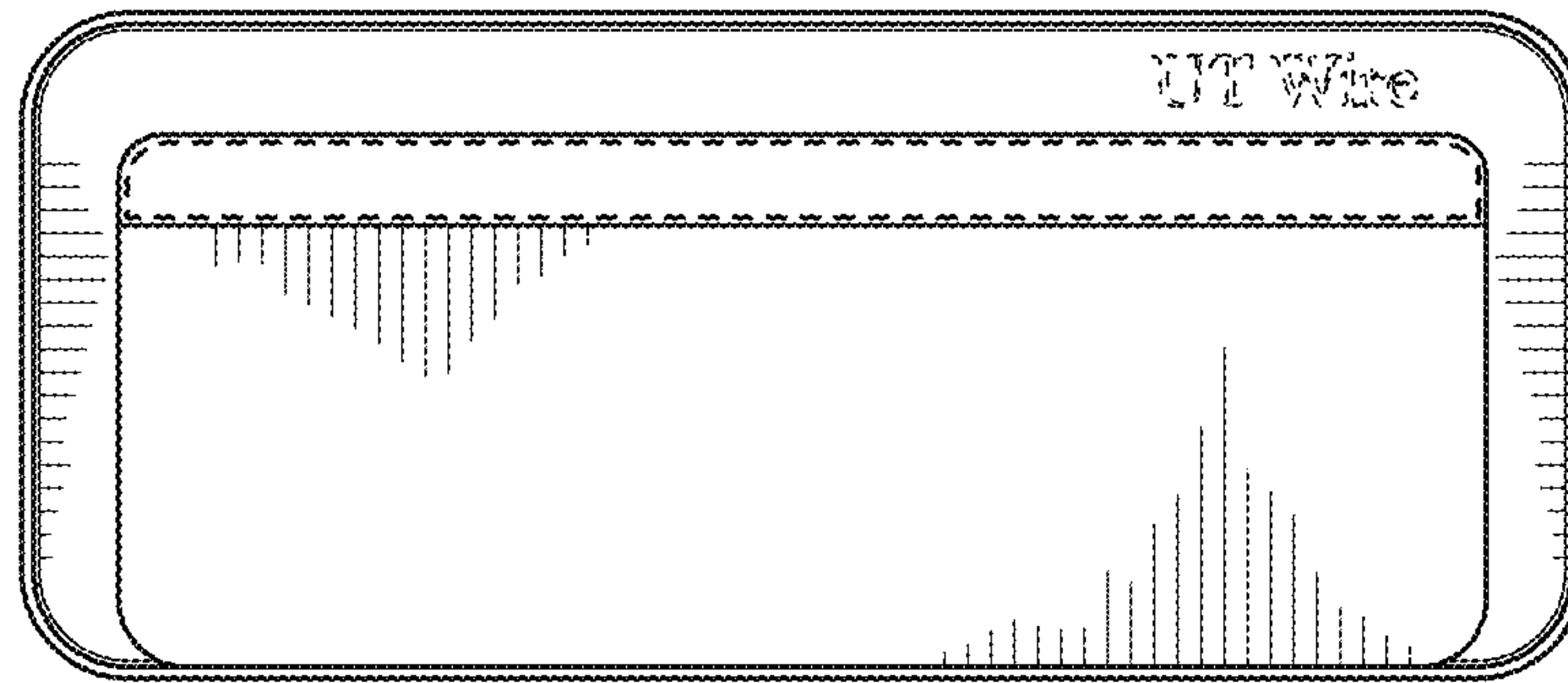


FIG. 5

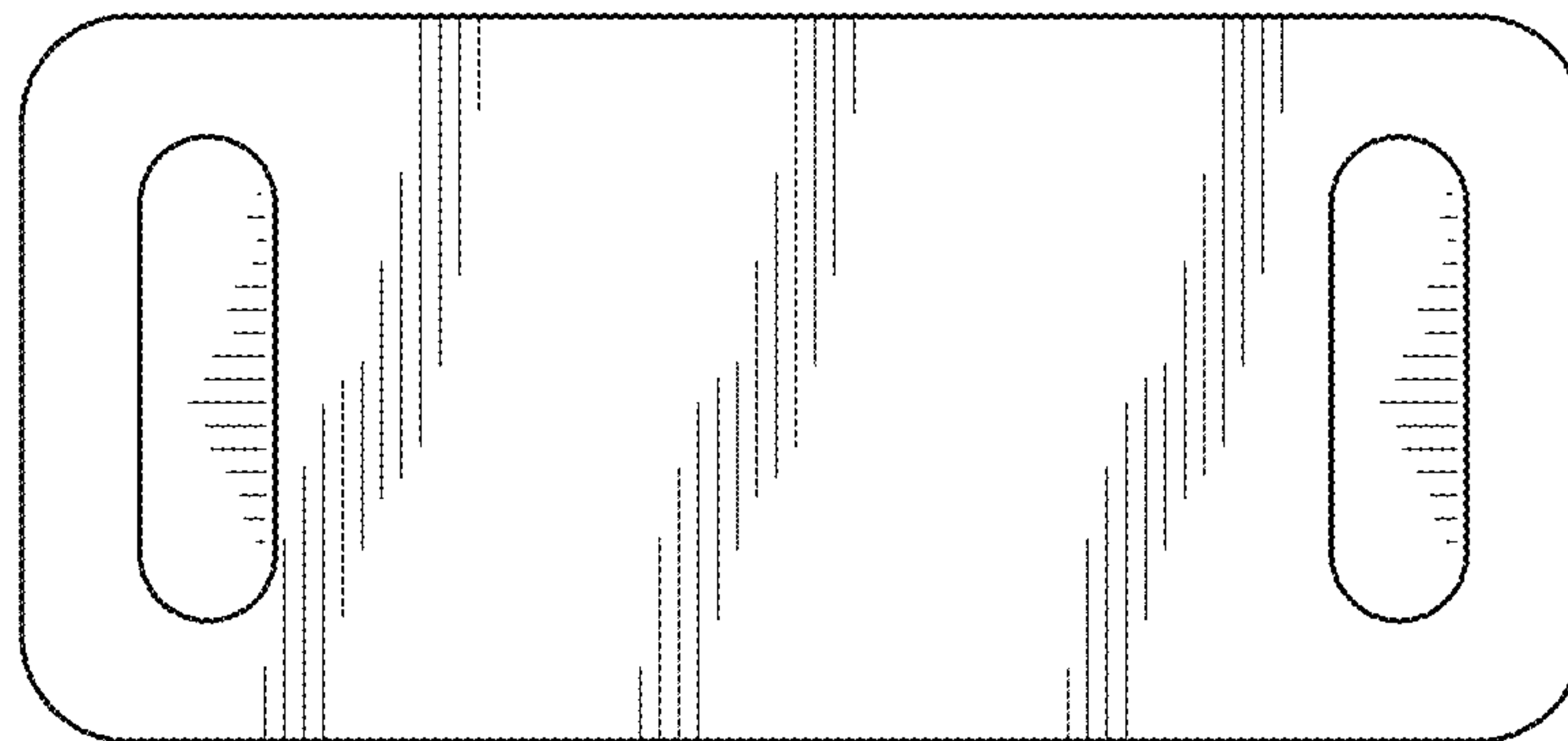


FIG. 6