



US00D803666S

(12) **United States Design Patent** (10) **Patent No.:** **US D803,666 S**  
**Morley** (45) **Date of Patent:** **\*\* Nov. 28, 2017**

(54) **CABLE ORGANIZER**  
(71) Applicant: **IZZY INDUSTRIES INC.**, Pembroke, NH (US)

D738,707 S \* 9/2015 Tung ..... D8/356  
D752,339 S 3/2016 Hoover  
D758,836 S \* 6/2016 Symons ..... D8/383

(72) Inventor: **Zachary T. Morley**, Hooksett, NH (US)

FOREIGN PATENT DOCUMENTS

WO DM/065 090 2/2004

(73) Assignee: **IZZY INDUSTRIES INC.**, Pembroke, NH (US)

\* cited by examiner

(\*\*) Term: **15 Years**

*Primary Examiner* — John Windmuller  
*Assistant Examiner* — Benjamin Weeks  
(74) *Attorney, Agent, or Firm* — Preti Flaherty Beliveau & Pachios LLP

(21) Appl. No.: **29/563,492**

(22) Filed: **May 5, 2016**

(57) **CLAIM**

(51) **LOC (10) Cl.** ..... **09-06**

The ornamental design for a cable organizer, as shown and described.

(52) **U.S. Cl.**

USPC ..... **D8/356**

**DESCRIPTION**

(58) **Field of Classification Search**

USPC .... D6/323; D8/67, 330, 349, 354, 355, 356, D8/363, 364, 367, 371, 373, 383, 397; D15/5, 146, 147, 148; D34/32, 33, 35  
CPC ..... A61K 45/06; B66D 1/00  
See application file for complete search history.

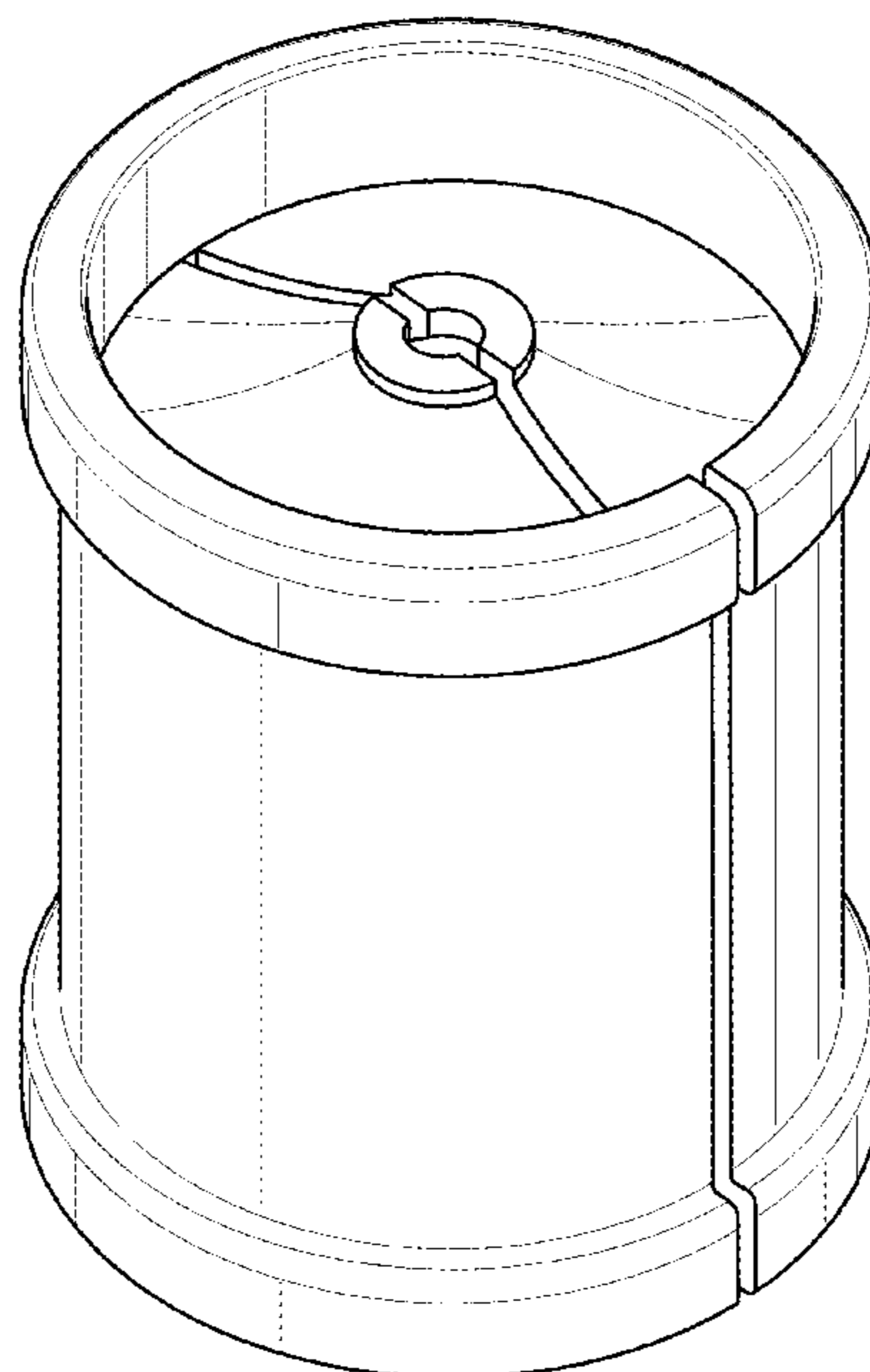
FIG. 1 is a top-front-right perspective view of a cable organizer in accordance with the design;  
FIG. 2 is a front side view of a cable organizer in accordance with the design;  
FIG. 3 is a back side view of a cable organizer in accordance with the design, the left side view and right side view being identical;  
FIG. 4 is a top plain view of a cable organizer in accordance with the design;  
FIG. 5 is a bottom plain view of a cable organizer in accordance with the design; and,  
FIG. 6 is a top-front-right, cut-away, perspective view showing the interior of a cable organizer in accordance with the design.  
The broken lines shown in the drawings represent unclaimed portions of the design and form no part thereof.

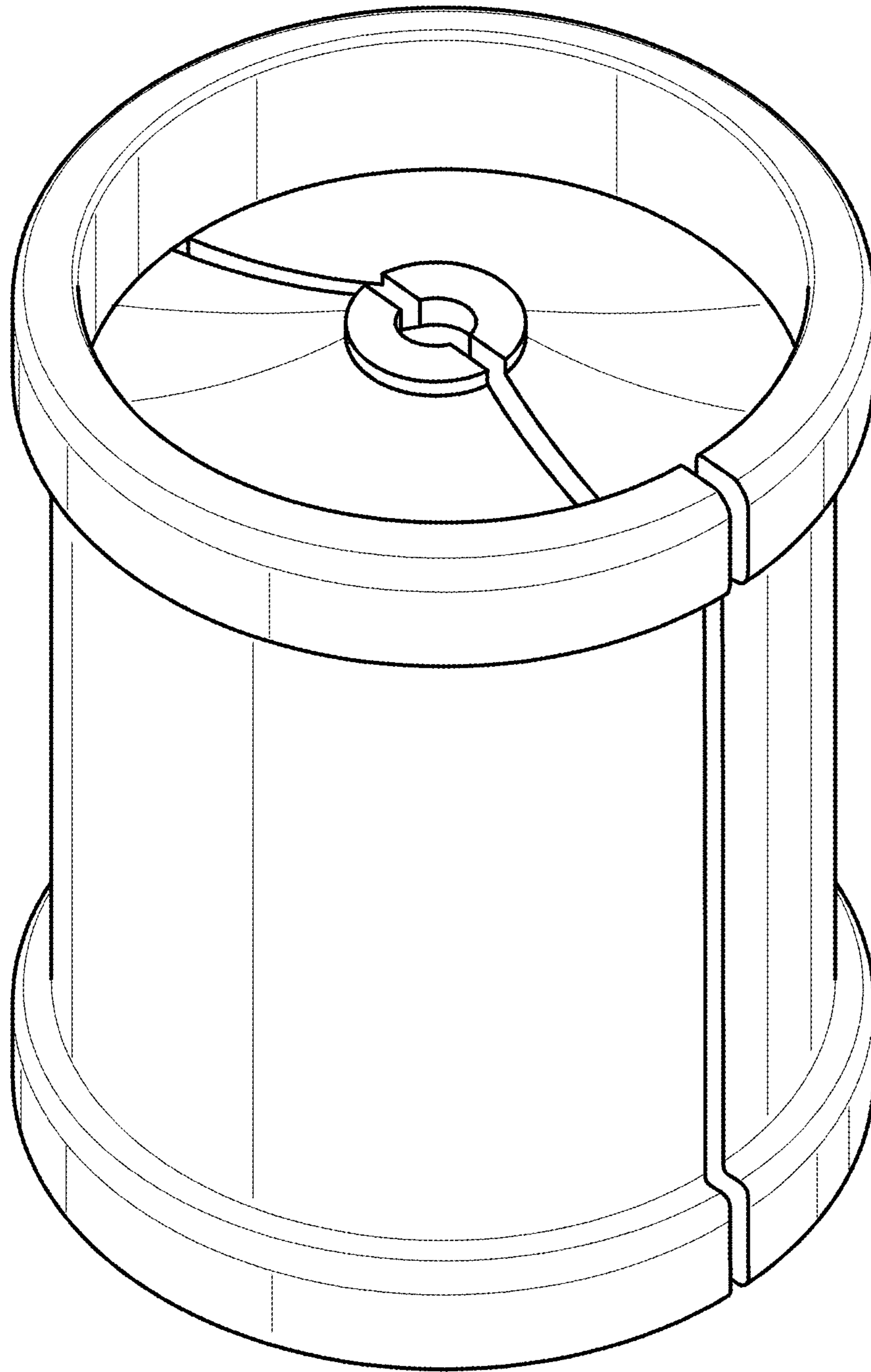
(56) **References Cited**

U.S. PATENT DOCUMENTS

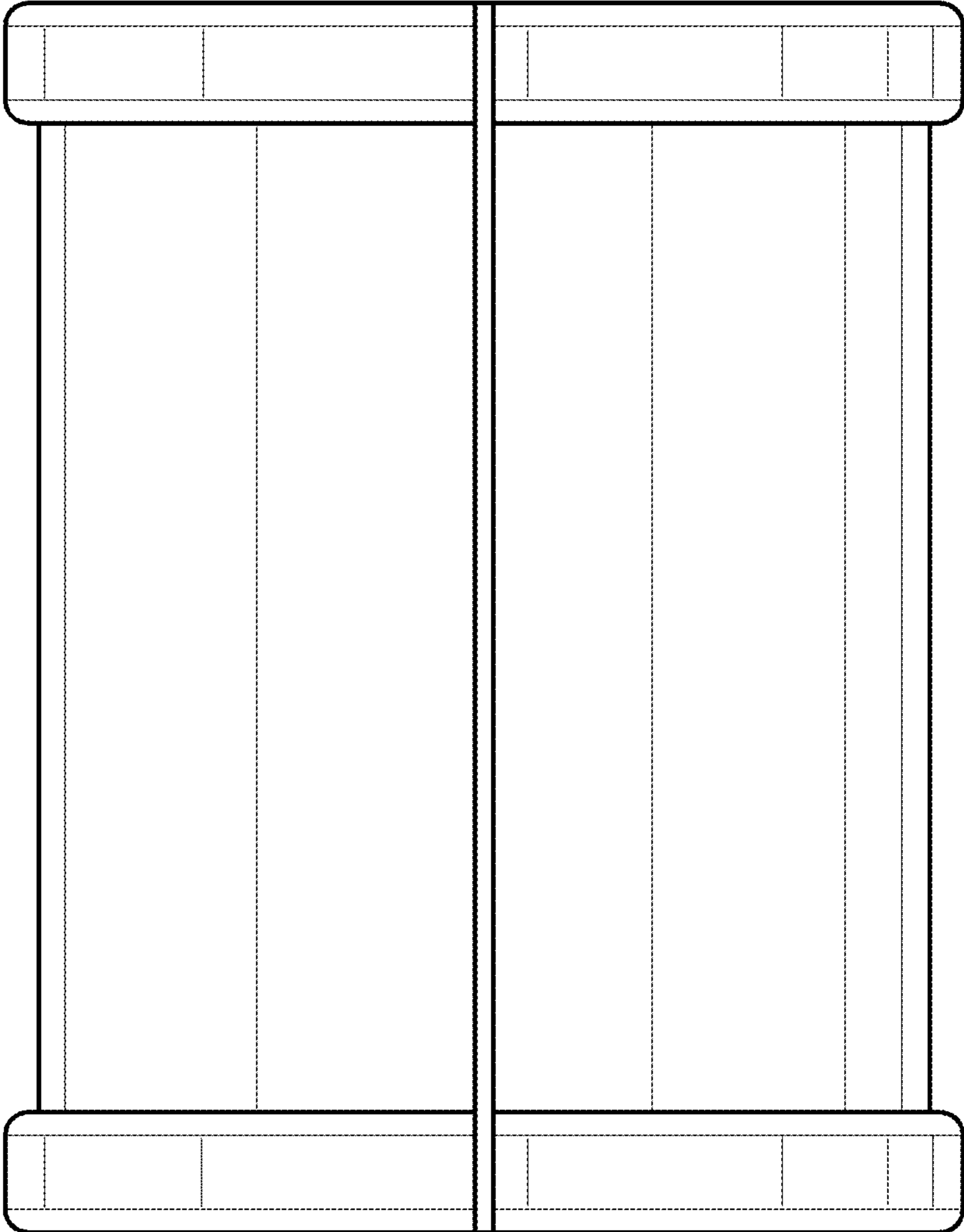
D257,321 S 10/1980 Voorhees, Jr. et al.  
D313,340 S 1/1991 Stathis et al.  
D596,371 S \* 7/2009 Janes, Jr. .... D34/29  
D682,909 S \* 5/2013 Kim ..... 24/115 R  
D707,106 S \* 6/2014 Crouse ..... D8/356  
D707,107 S \* 6/2014 Crouse ..... D8/356  
D726,239 S \* 4/2015 So ..... D16/219  
D731,555 S \* 6/2015 Lee ..... D15/5  
D735,020 S \* 7/2015 Bradford ..... D8/356  
D736,833 S \* 8/2015 Lee ..... D15/5

**1 Claim, 5 Drawing Sheets**

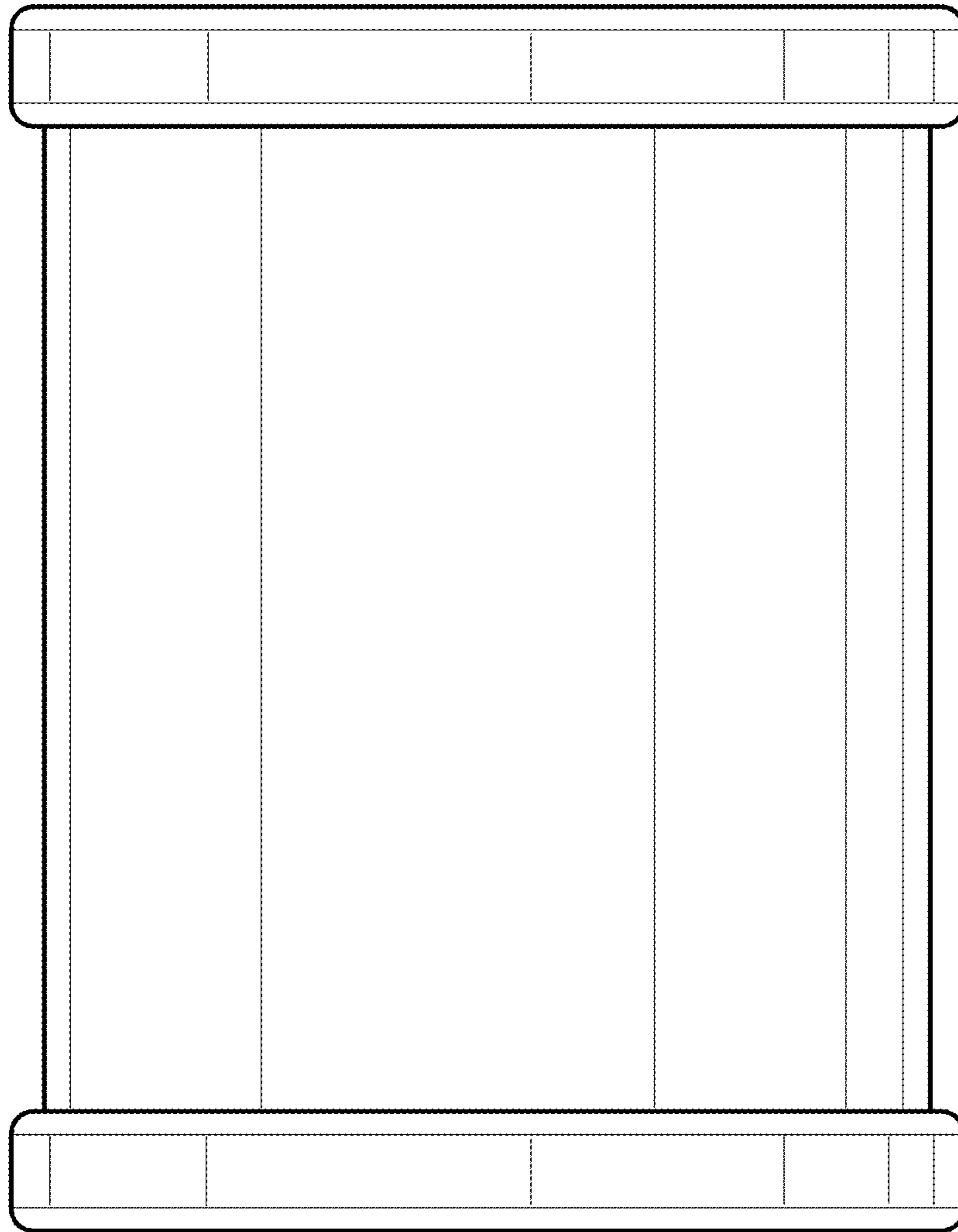




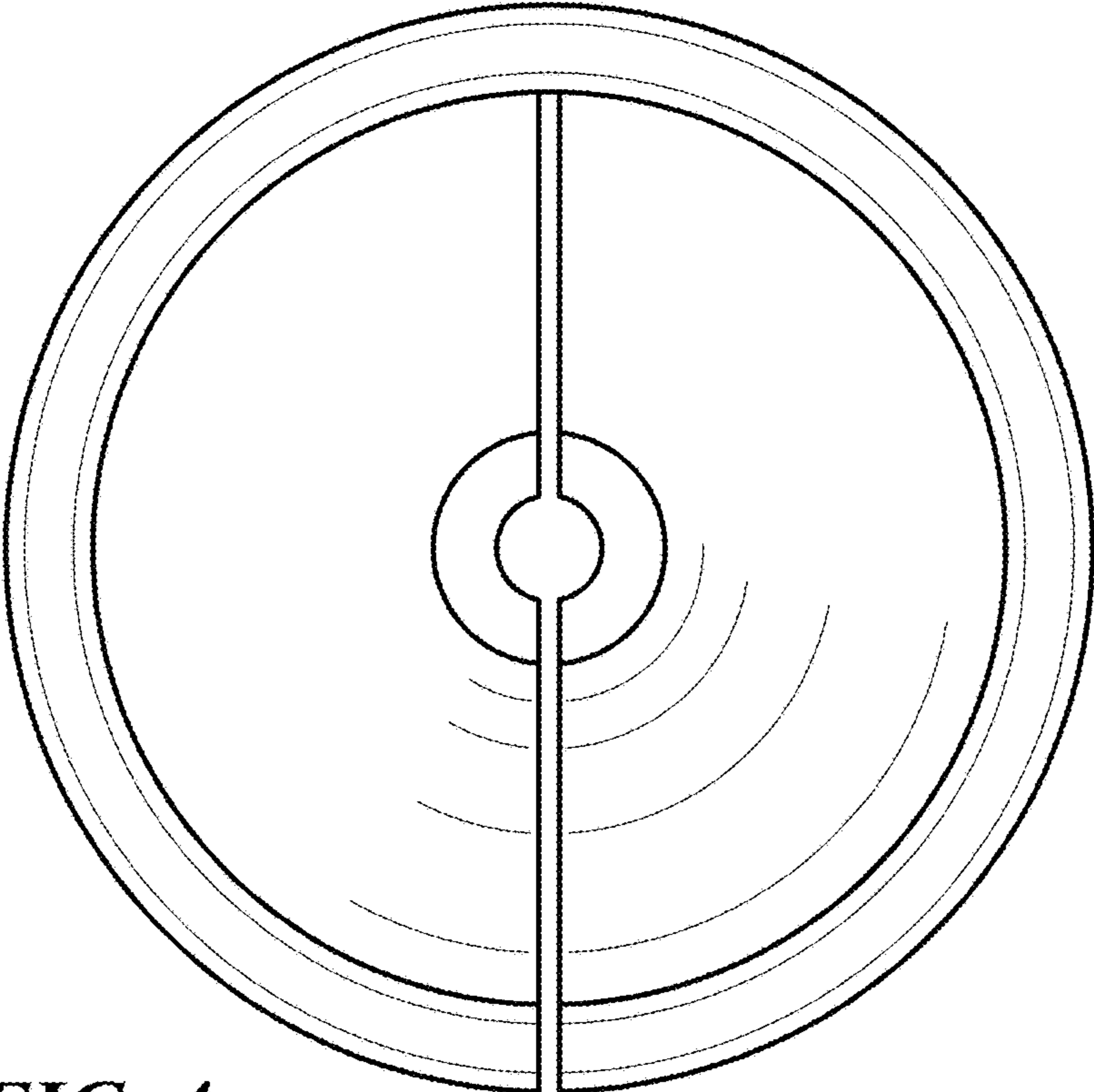
**FIG. 1**



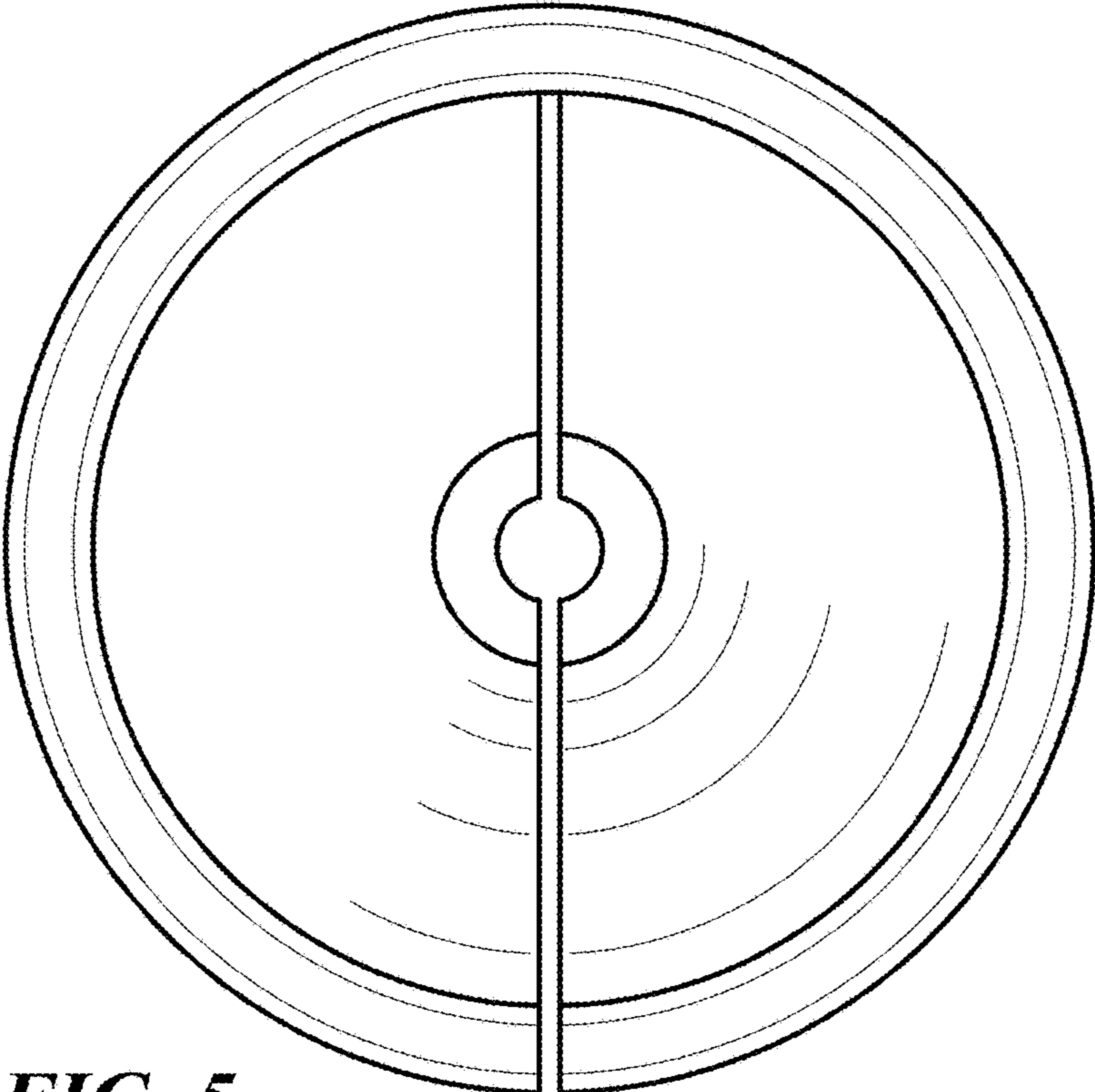
**FIG. 2**



***FIG. 3***

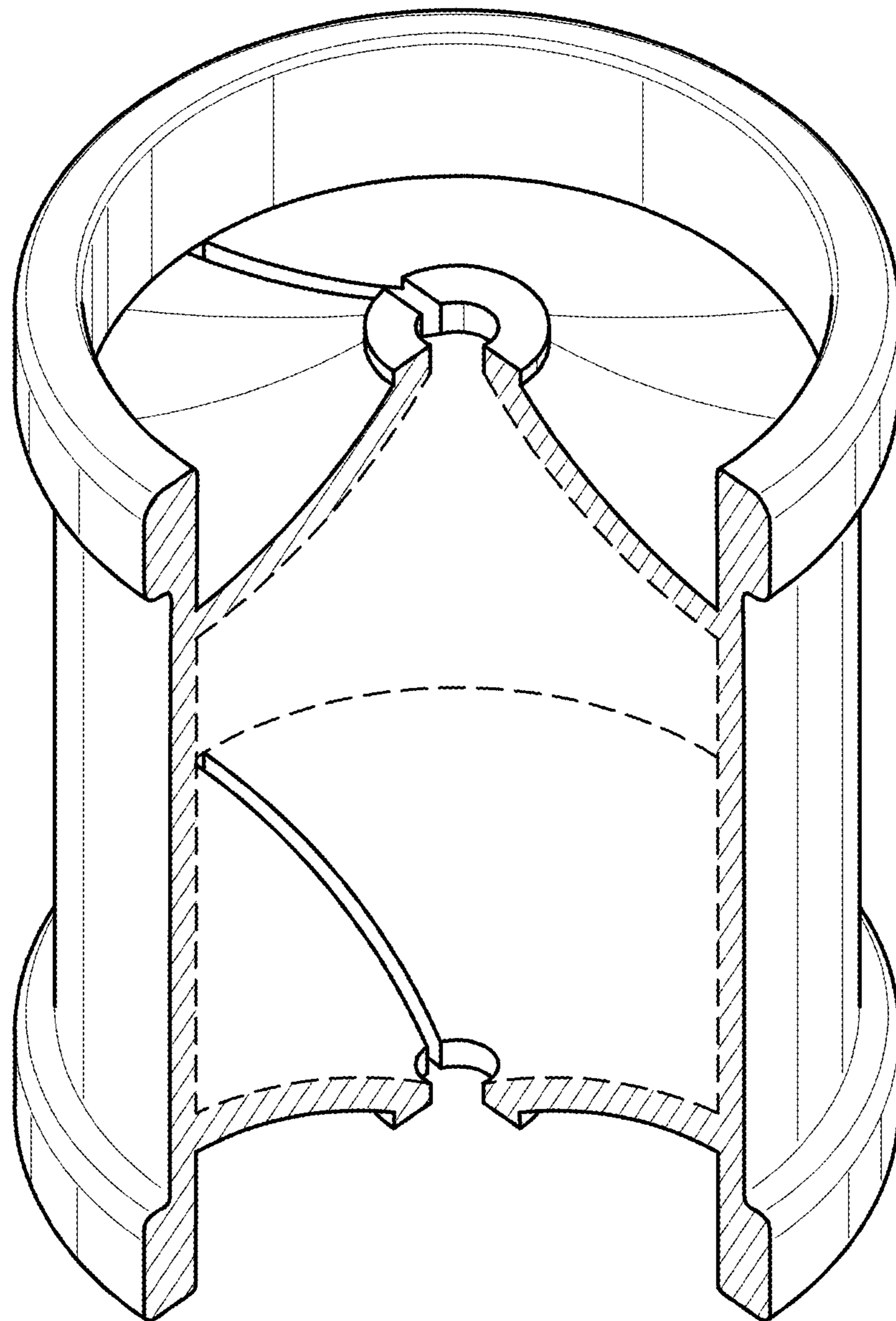


**FIG. 4**



**FIG. 5**





**FIG. 6**