



US00D803662S

(12) **United States Design Patent**
Ng et al.

(10) **Patent No.:** **US D803,662 S**

(45) **Date of Patent:** **** Nov. 28, 2017**

(54) **WIRELESS LOCKING LOCKBOX**

(71) Applicants: **Kwan Yuen Ng**, El Monte, CA (US);
Sarah Ng, El Monte, CA (US); **Tsz**
Yeung Chan, El Monte, CA (US);
Caron Ng, El Monte, CA (US)

(72) Inventors: **Kwan Yuen Ng**, El Monte, CA (US);
Sarah Ng, El Monte, CA (US); **Tsz**
Yeung Chan, El Monte, CA (US);
Caron Ng, El Monte, CA (US)

(73) Assignee: **Nuset, Inc.**, City of Industry, CA (US)

(**) Term: **15 Years**

(21) Appl. No.: **29/581,382**

(22) Filed: **Oct. 18, 2016**

(51) **LOC (10) Cl.** **08-07**

(52) **U.S. Cl.**
USPC **D8/346**

(58) **Field of Classification Search**
USPC D8/330, 331, 343, 346, 398, 394, 449;
70/57, 57.1, 51-56, 416, 485, 486, 445,
70/419, 431, 422, 158, DIG. 43, DIG. 56,
70/160, 164, 167
CPC E05B 67/38; E05B 17/002; E05B 67/04
See application file for complete search history.

(56) **References Cited**

U.S. PATENT DOCUMENTS

4,609,780 A * 9/1986 Clark G07C 9/00023
235/382
5,638,707 A * 6/1997 Gould E05B 67/38
40/649

D470,746 S * 2/2003 Gast D8/346
6,526,786 B1 * 3/2003 Kayoda E05B 19/0005
70/14
6,578,393 B2 * 6/2003 Yarborough E05B 67/38
70/52
6,684,668 B1 * 2/2004 Hsueh Lee E05B 67/02
70/312
D539,633 S * 4/2007 Van Handel D8/333
D640,911 S * 7/2011 Yang D8/346
8,141,396 B1 * 3/2012 Yang E05B 19/0005
70/333 A
D667,287 S * 9/2012 Yang D8/330
D677,145 S * 3/2013 Hsieh D8/330
D711,724 S * 8/2014 Newchurch D8/346

* cited by examiner

Primary Examiner — Prabhakar Deshmukh

(57) **CLAIM**

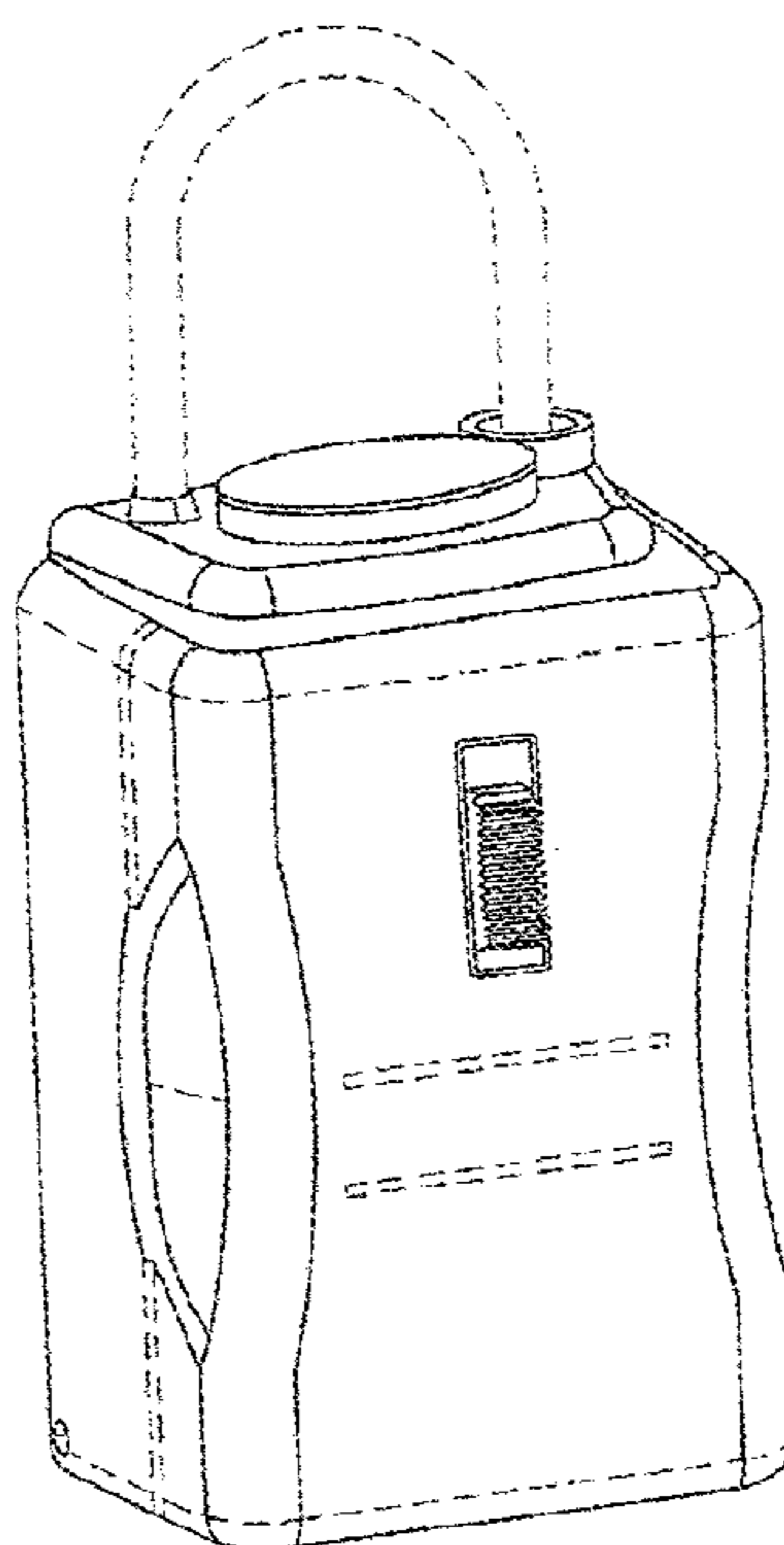
The ornamental design for a wireless locking lockbox, as shown.

DESCRIPTION

FIG. 1 is a perspective view of a wireless locking lockbox showing our new design;
FIG. 2, is a front view thereof;
FIG. 3, is a right view thereof;
FIG. 4, is a left side view thereof;
FIG. 5, is a back side view thereof;
FIG. 6, is a bottom view thereof; and,
FIG. 7, is a top view thereof.

The broken lines illustrate unclaimed portions and form no part of the claimed design.

1 Claim, 4 Drawing Sheets



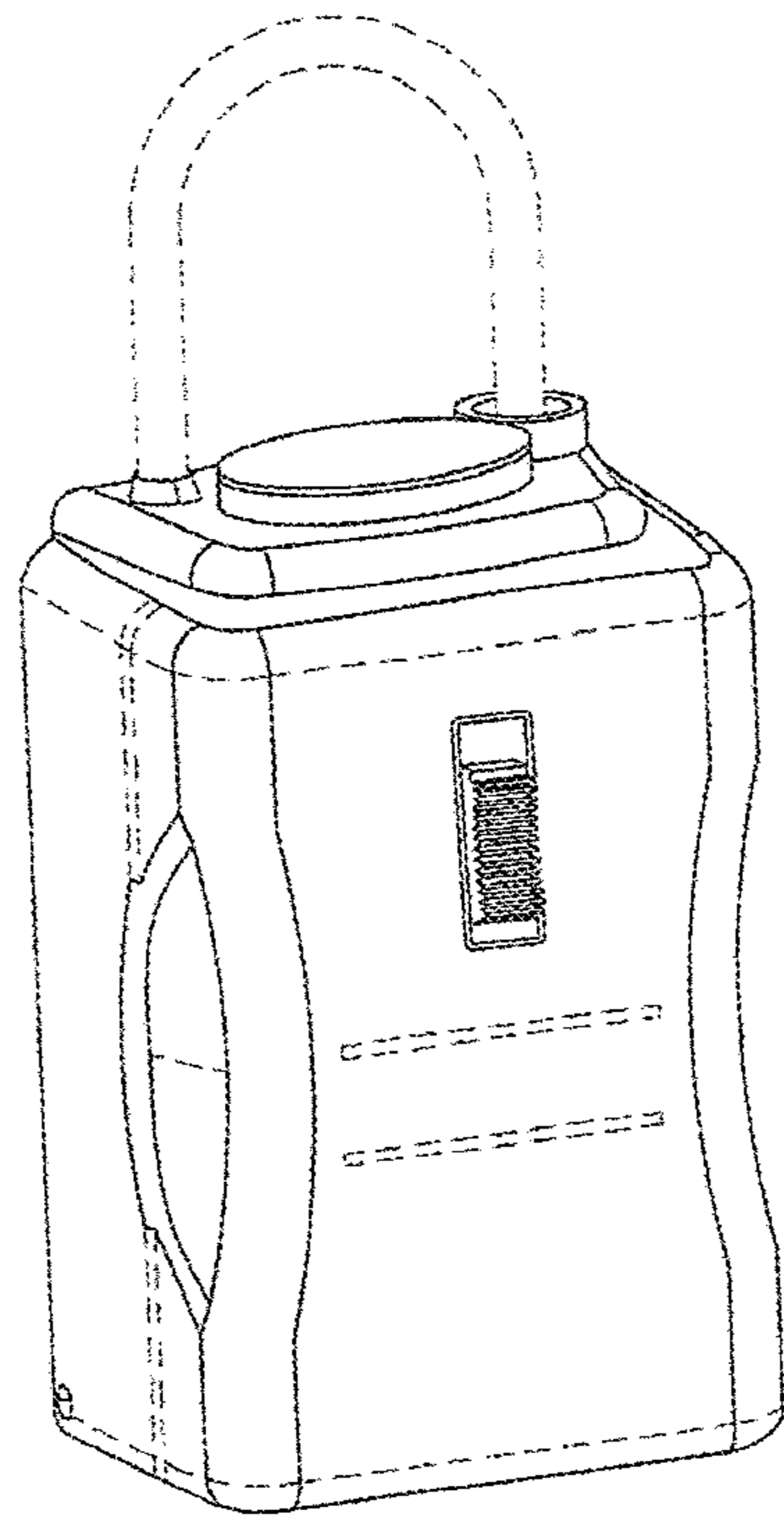


Fig. 1

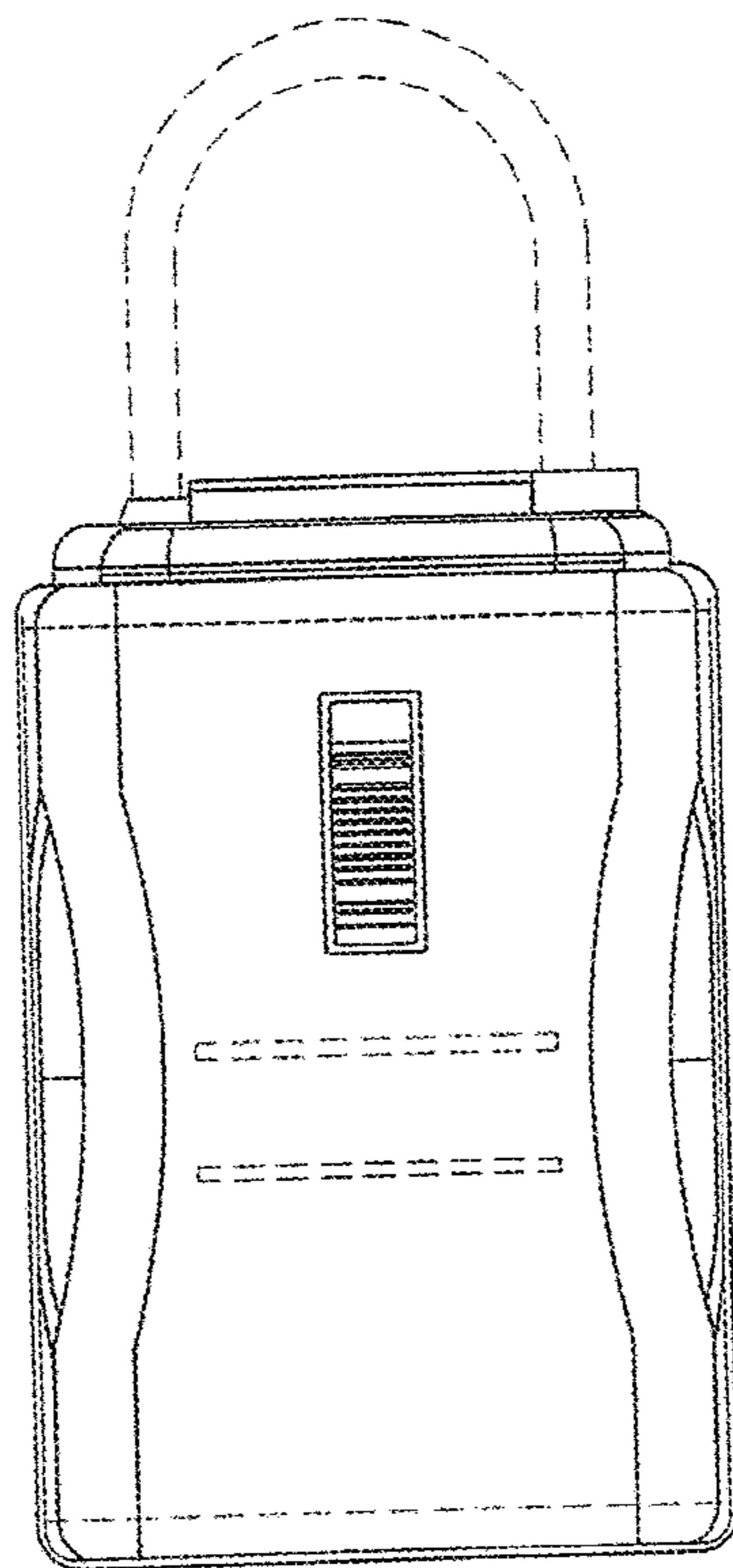


Fig. 2

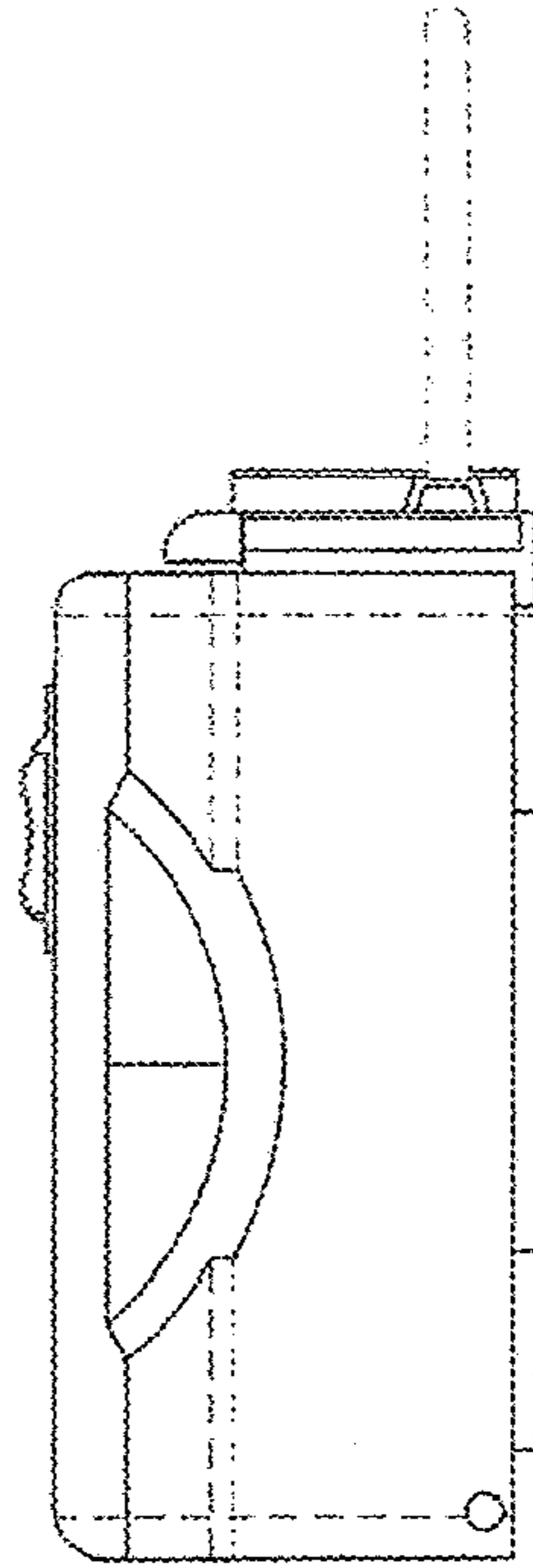


Fig. 3

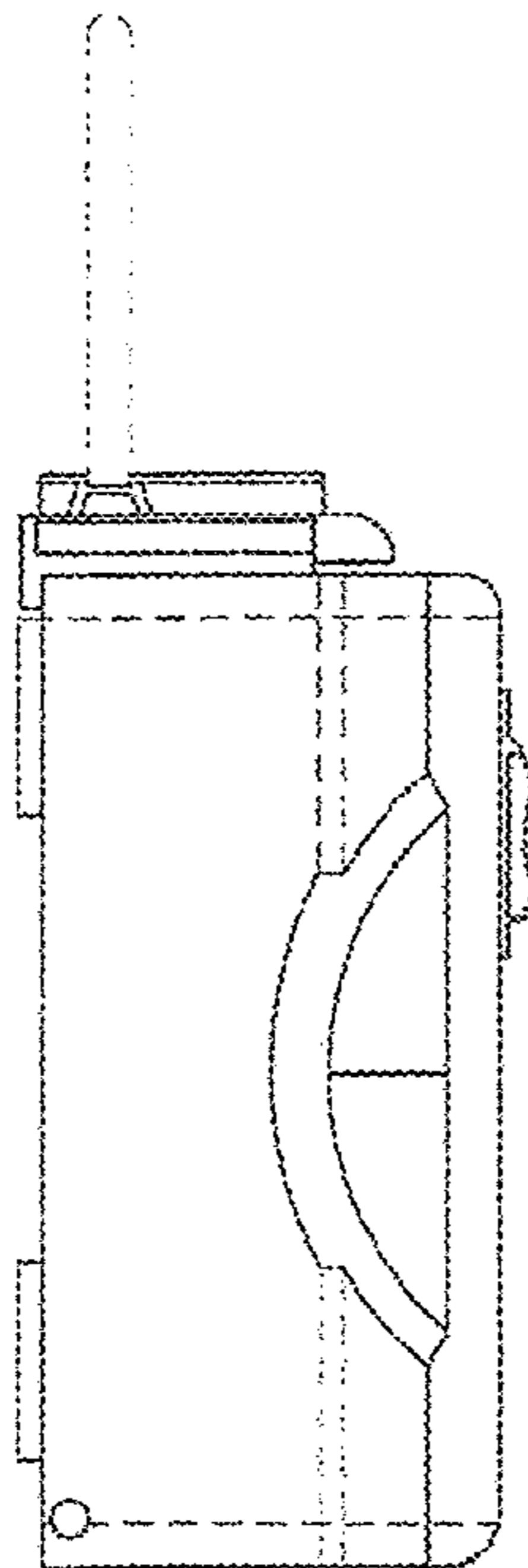


Fig. 4

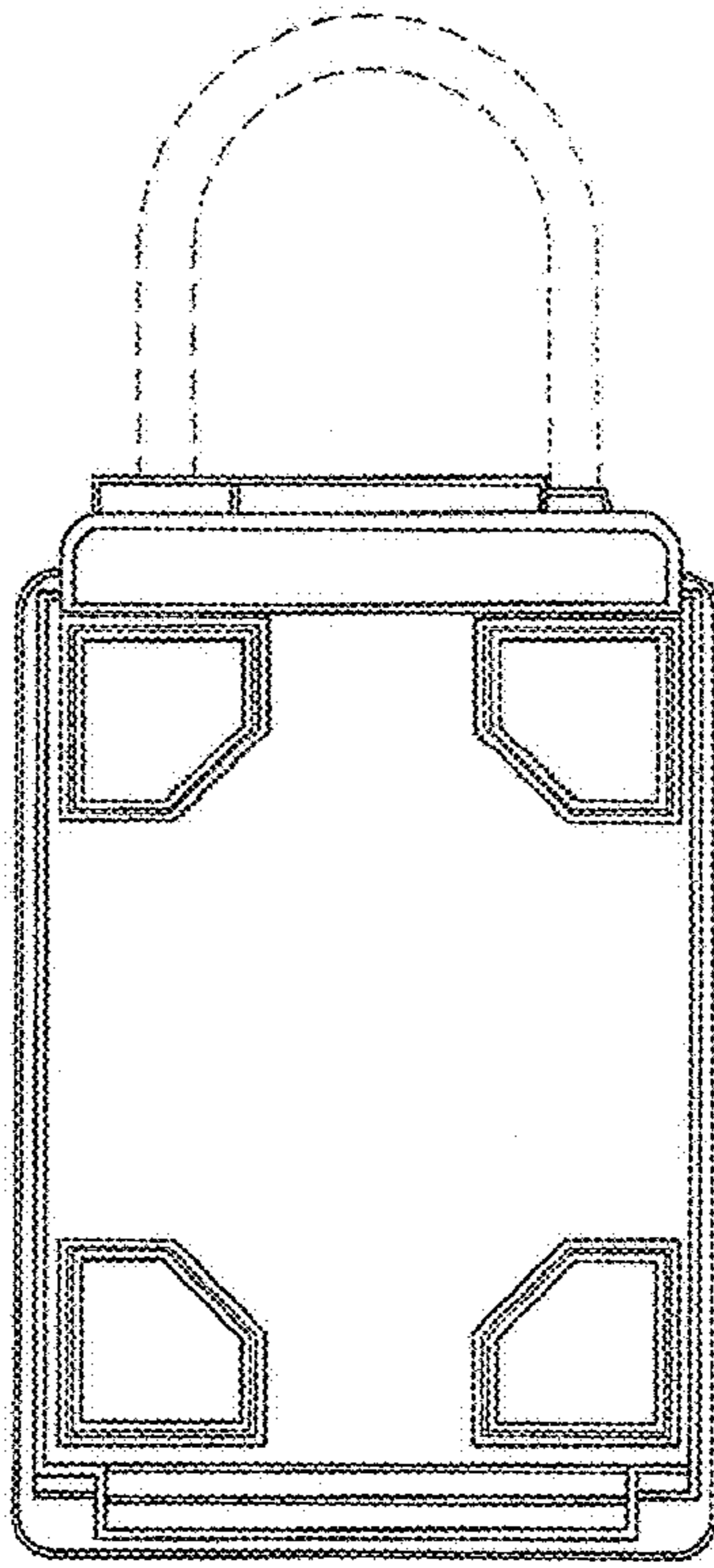


Fig. 5

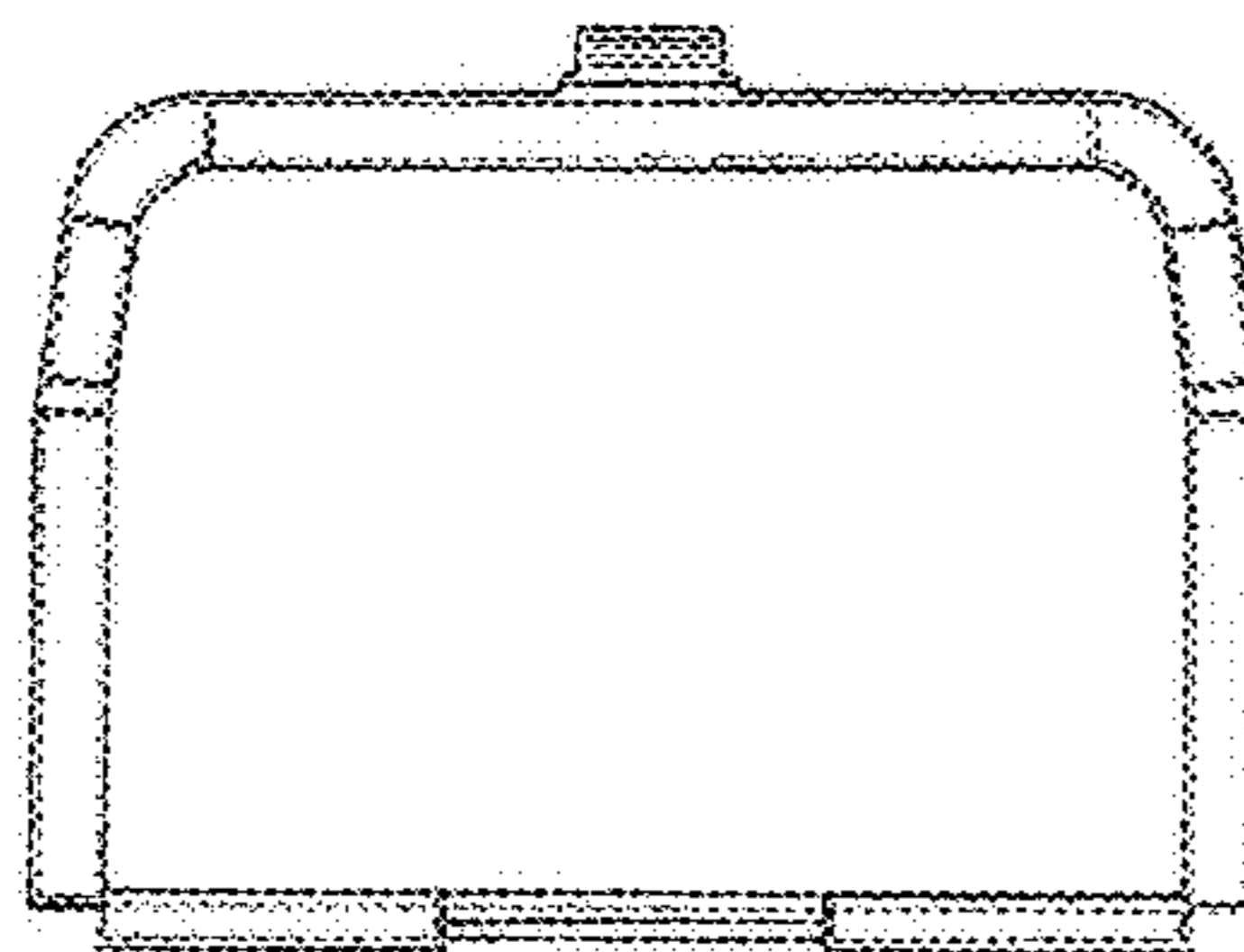


Fig. 6

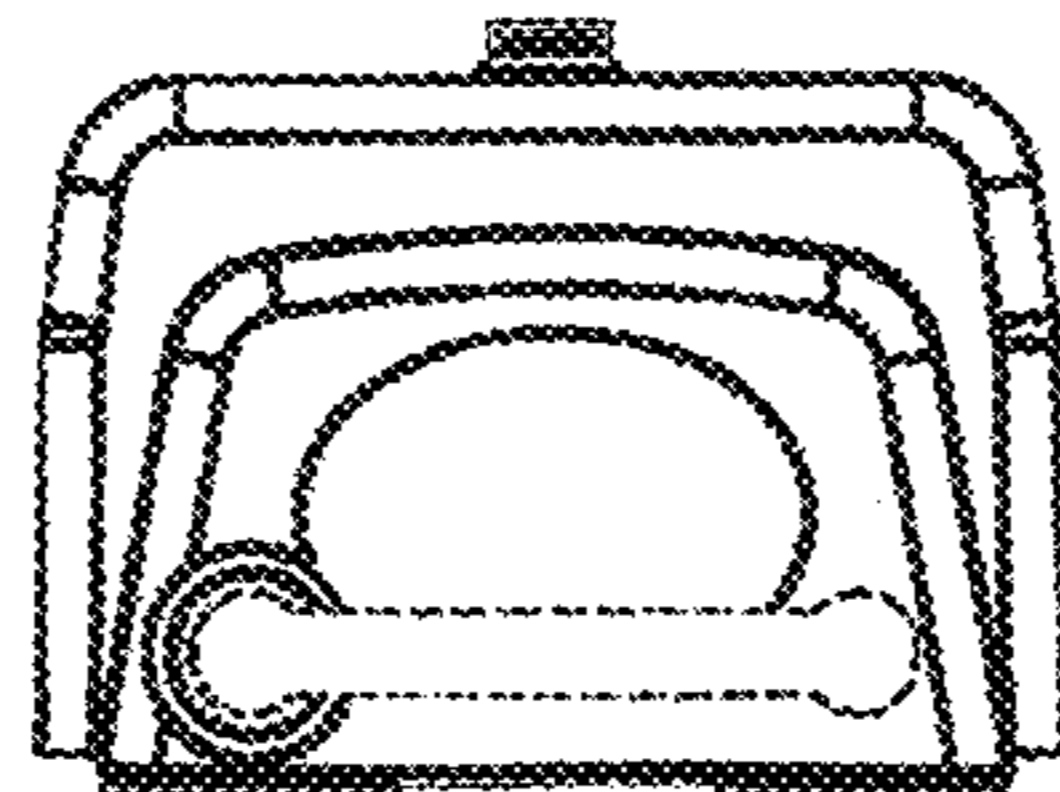


Fig 7