



US00D803661S

(12) **United States Design Patent** (10) **Patent No.:** **US D803,661 S**
Marsden (45) **Date of Patent:** **** Nov. 28, 2017**

(54) **CABINET LOCK**
(71) Applicant: **Elbee Pty Ltd.**, Bondi Junction (AU)
(72) Inventor: **Andrew Marsden**, Hingham, MA (US)
(73) Assignee: **Elbee Pty Ltd.**, Bondi Junction (AU)
(**) Term: **15 Years**

(21) Appl. No.: **29/563,146**
(22) Filed: **May 2, 2016**
(51) **LOC (10) Cl.** **08-07**
(52) **U.S. Cl.**
USPC **D8/339**; D8/331; D8/343
(58) **Field of Classification Search**
USPC D8/330, 331, 339-342, 349, 367, 400;
70/14, 19, 57, 57.1, 58, 51, 52, 199, 237,
70/240, 431, 288, 94, 99, 175, 177, 209,
70/225, 226, 70-84; 292/92, 339, 259 R,
292/259 A, 57, 262, 273, 305, 306,
292/DIG. 47; 49/57, 61, 62, 303,
49/463-466
CPC E05B 73/00
See application file for complete search history.

(56) **References Cited**
U.S. PATENT DOCUMENTS
D239,079 S 3/1976 Saito
D313,161 S * 12/1990 Westphal D8/307
5,088,158 A * 2/1992 Burkholder E05B 75/00
128/879
5,557,956 A * 9/1996 Merz B60R 25/0225
70/209
5,794,461 A * 8/1998 Smith B65D 63/1072
292/318
D499,953 S * 12/2004 Haggard D8/343
7,687,701 B1 * 3/2010 Kushner G10G 7/005
206/314
7,784,313 B2 * 8/2010 Wyers E05B 67/003
70/14

8,402,798 B2 * 3/2013 Brojanac E05B 67/383
137/385
D719,436 S * 12/2014 Roggero D8/330
D766,068 S * 9/2016 Marsden D8/331
D769,101 S * 10/2016 Zemel D8/321
D770,263 S * 11/2016 Marsden D8/330
D778,139 S * 2/2017 Sarnowski D8/331

OTHER PUBLICATIONS

[No Author Listed] Safety 1st Cabinet Lock, publicly disclosed prior to Sep. 10, 2014. 1 page.

* cited by examiner

Primary Examiner — Prabhakar Deshmukh
(74) *Attorney, Agent, or Firm* — Wolf, Greenfield & Sacks, P.C.

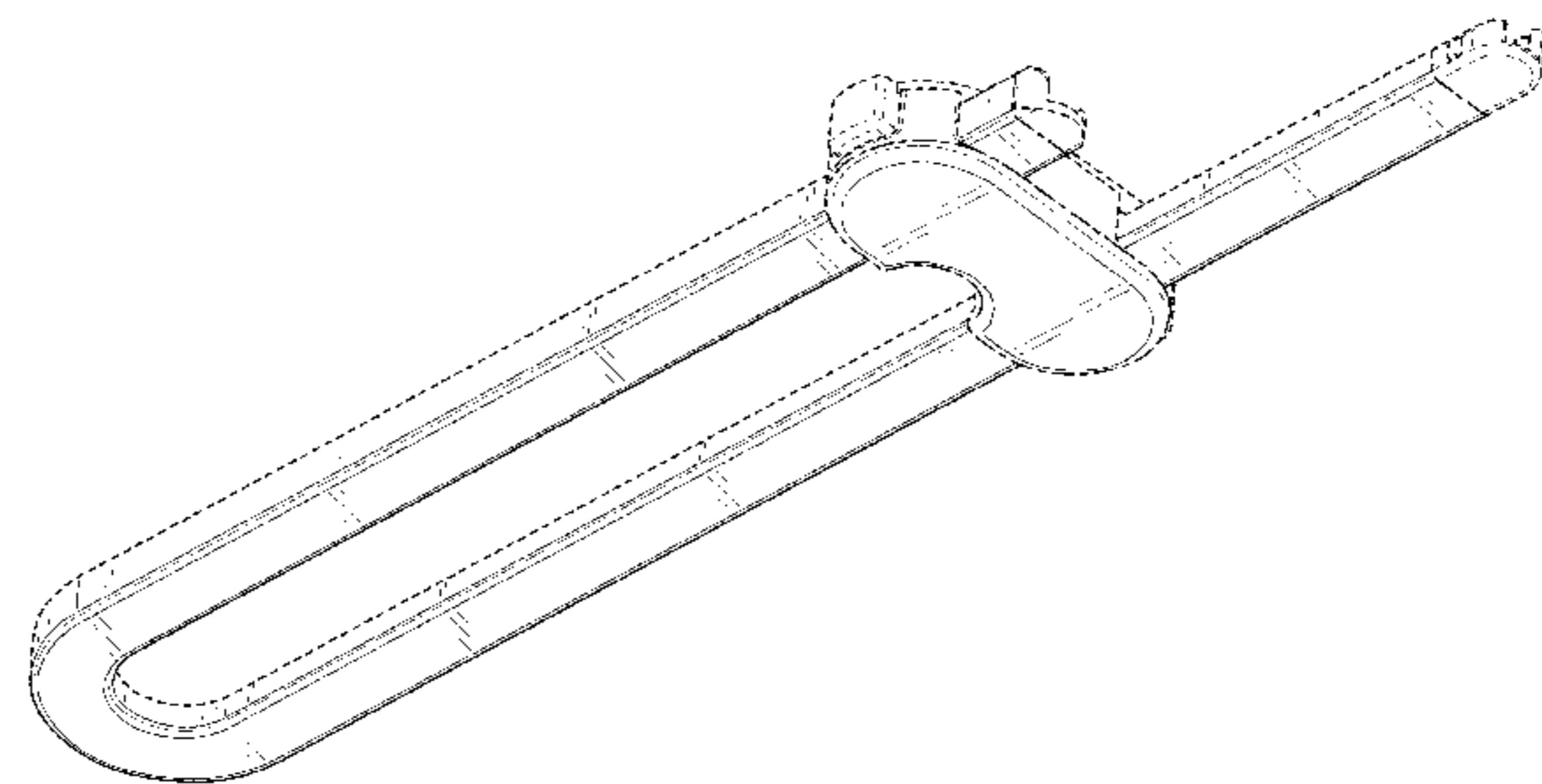
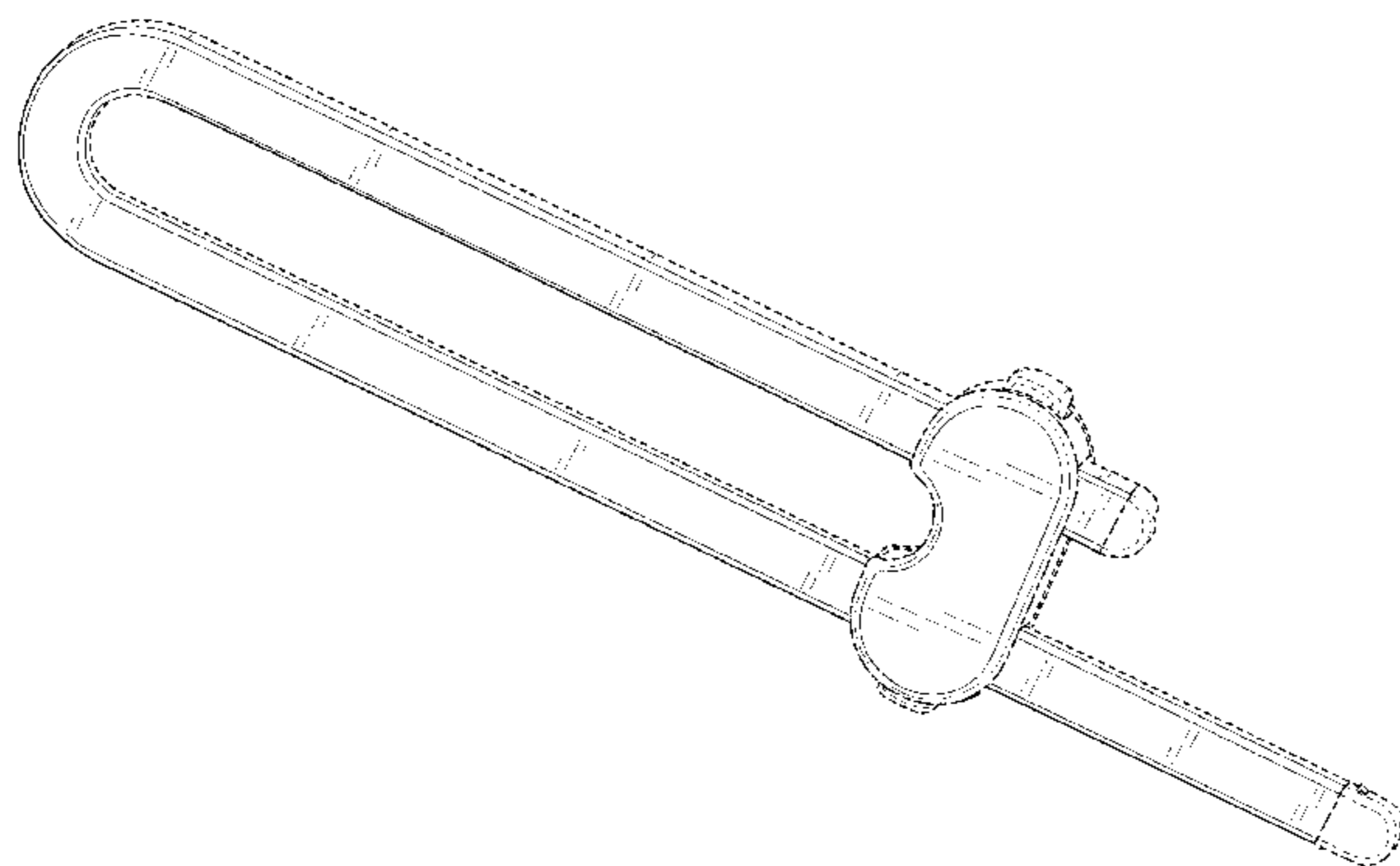
(57) **CLAIM**

The ornamental design for a cabinet lock, as shown and described.

DESCRIPTION

FIG. 1 is a top, front, right side perspective view of a cabinet lock showing my new design;
FIG. 2 is a front elevation view thereof;
FIG. 3 is a rear elevation view thereof;
FIG. 4 is a left side elevation view thereof;
FIG. 5 is a right side elevation view thereof;
FIG. 6 is a top plan view thereof;
FIG. 7 is a bottom plan view thereof;
FIG. 8 is a top, front, right side perspective view thereof;
and,
FIG. 9 is a bottom, front, right side perspective view thereof.
The dash-dash broken lines represent portions of the cabinet lock that form no part of the claimed design. The dot-dash broken lines represent borders of the claimed design and form no part of the claimed design.

1 Claim, 7 Drawing Sheets



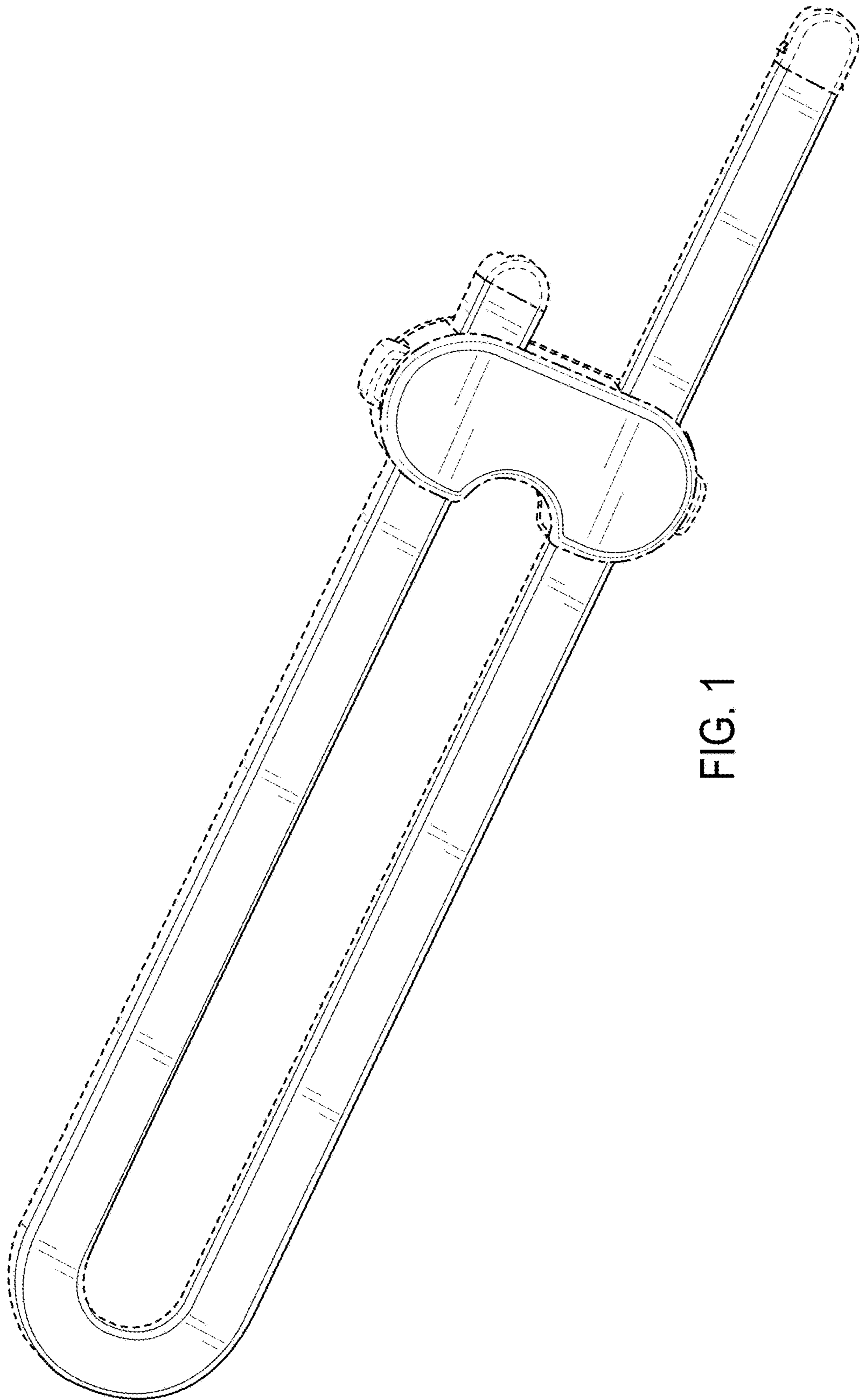


FIG. 1

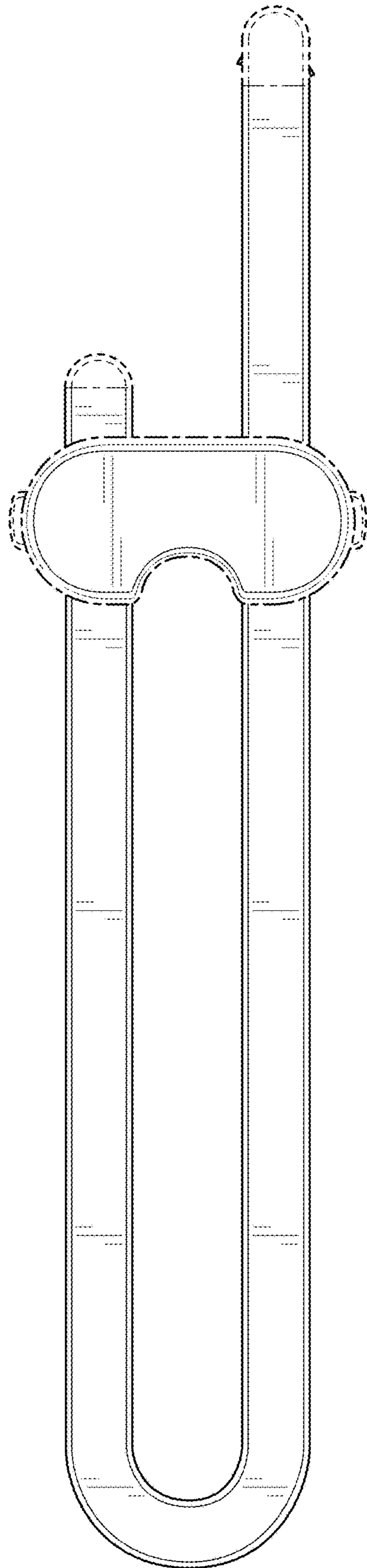


FIG. 2

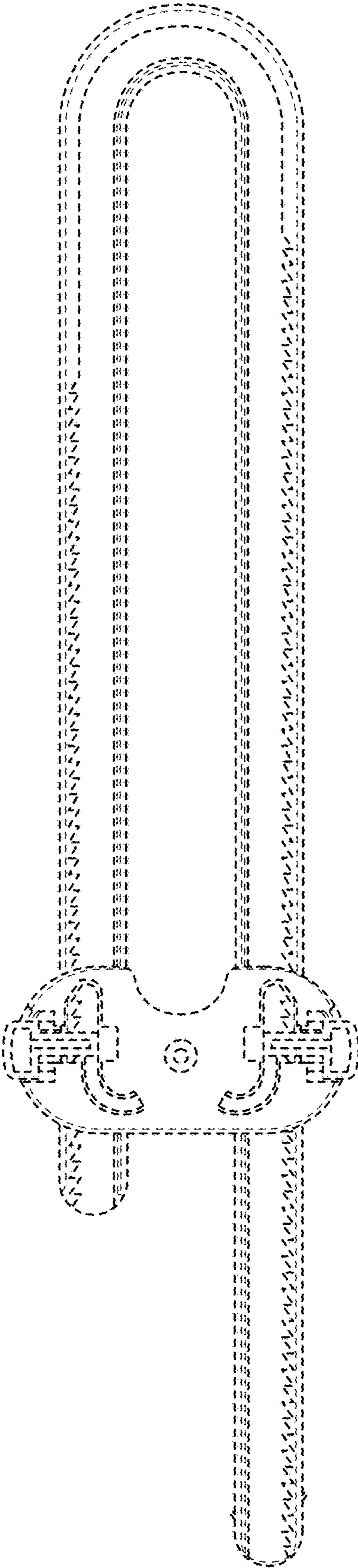


FIG. 3

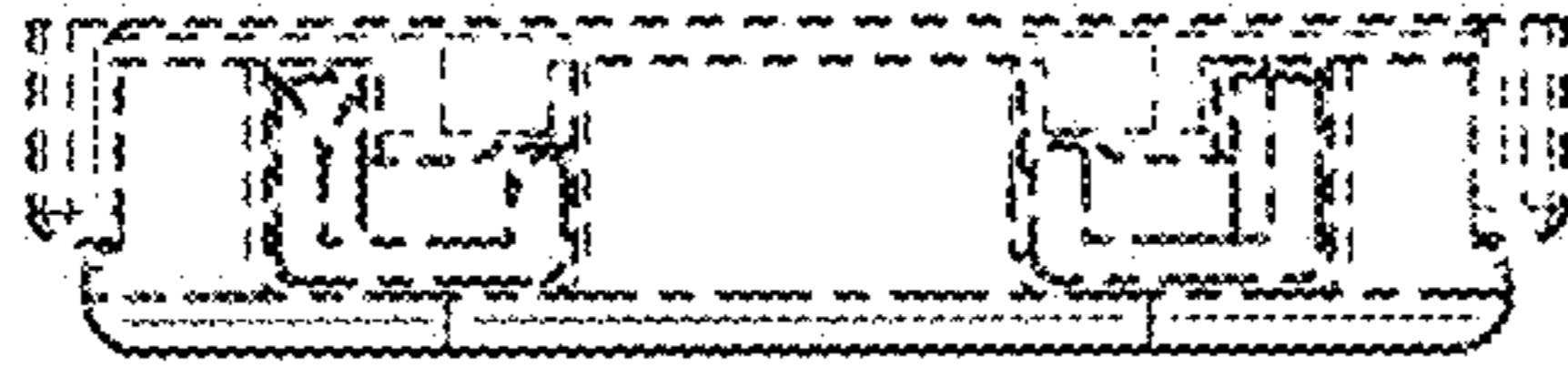


FIG. 5

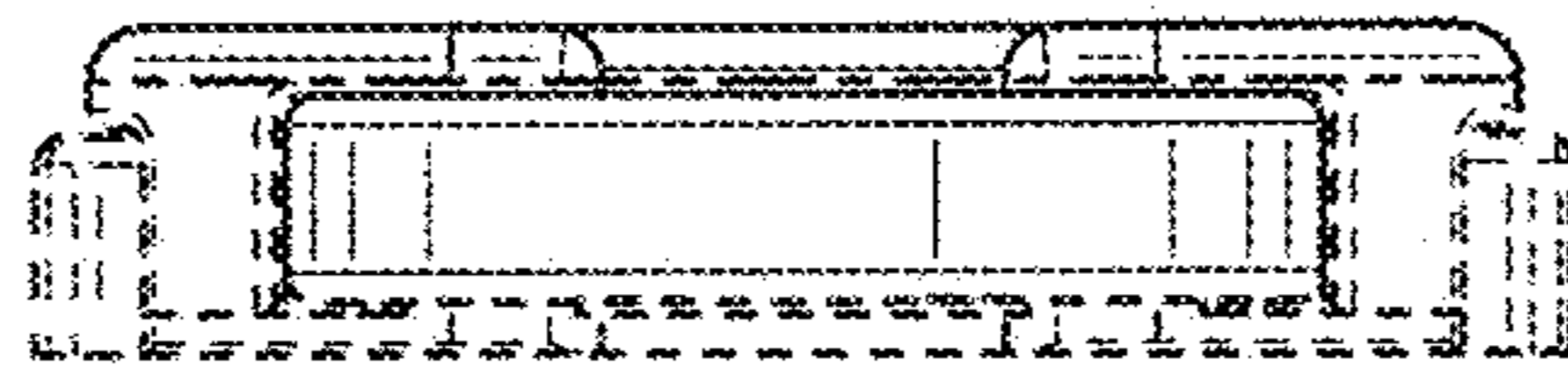


FIG. 4

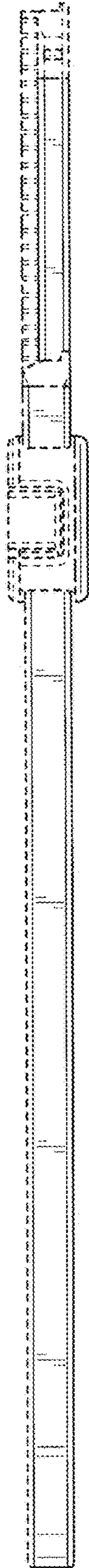


FIG. 6

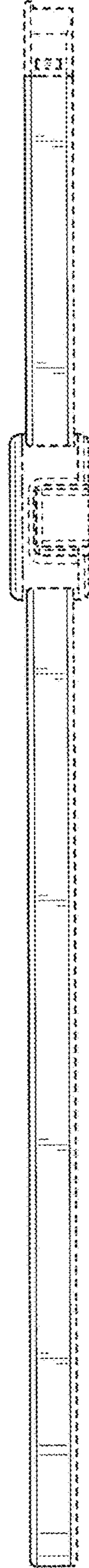


FIG. 7

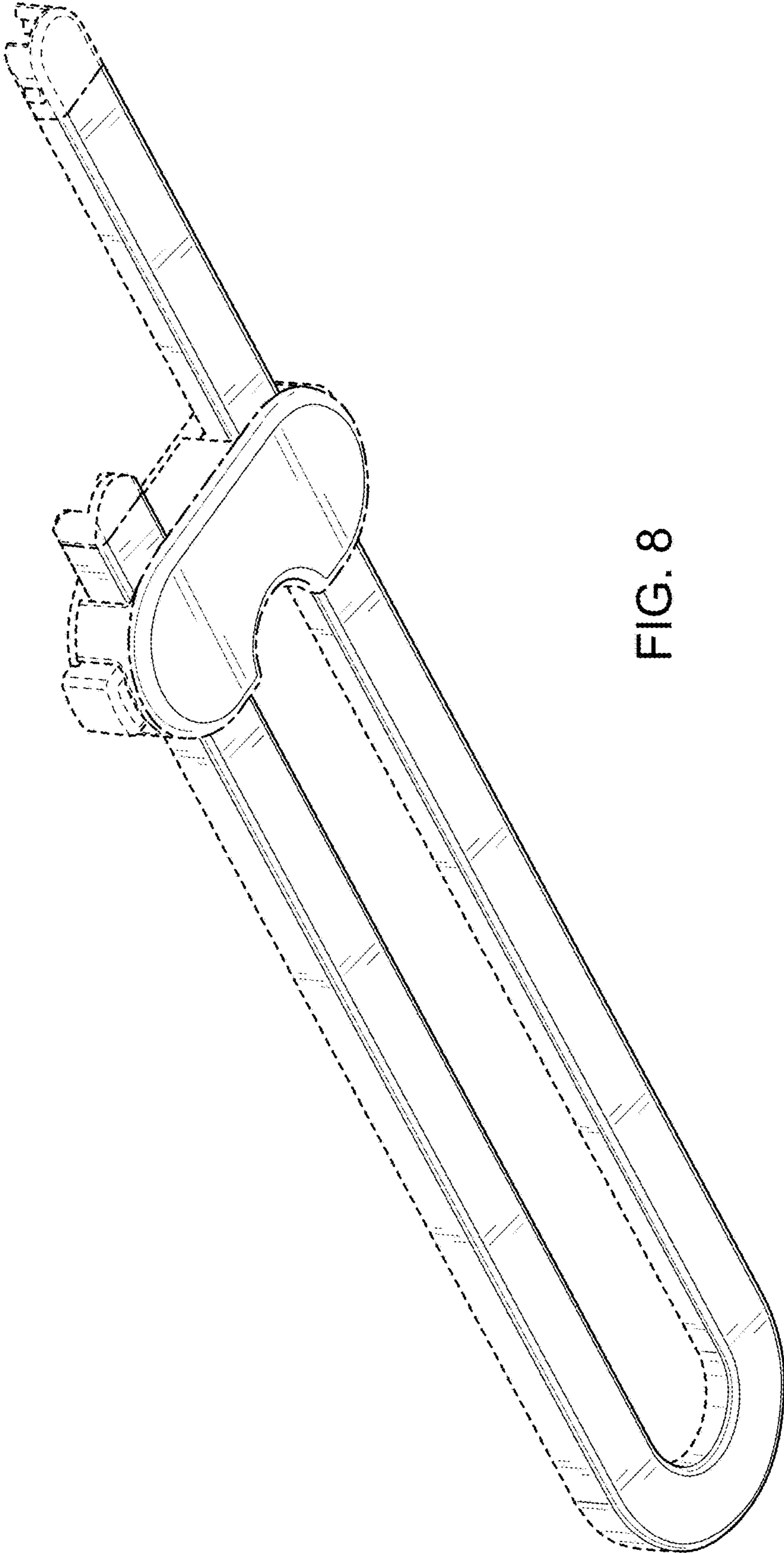


FIG. 8

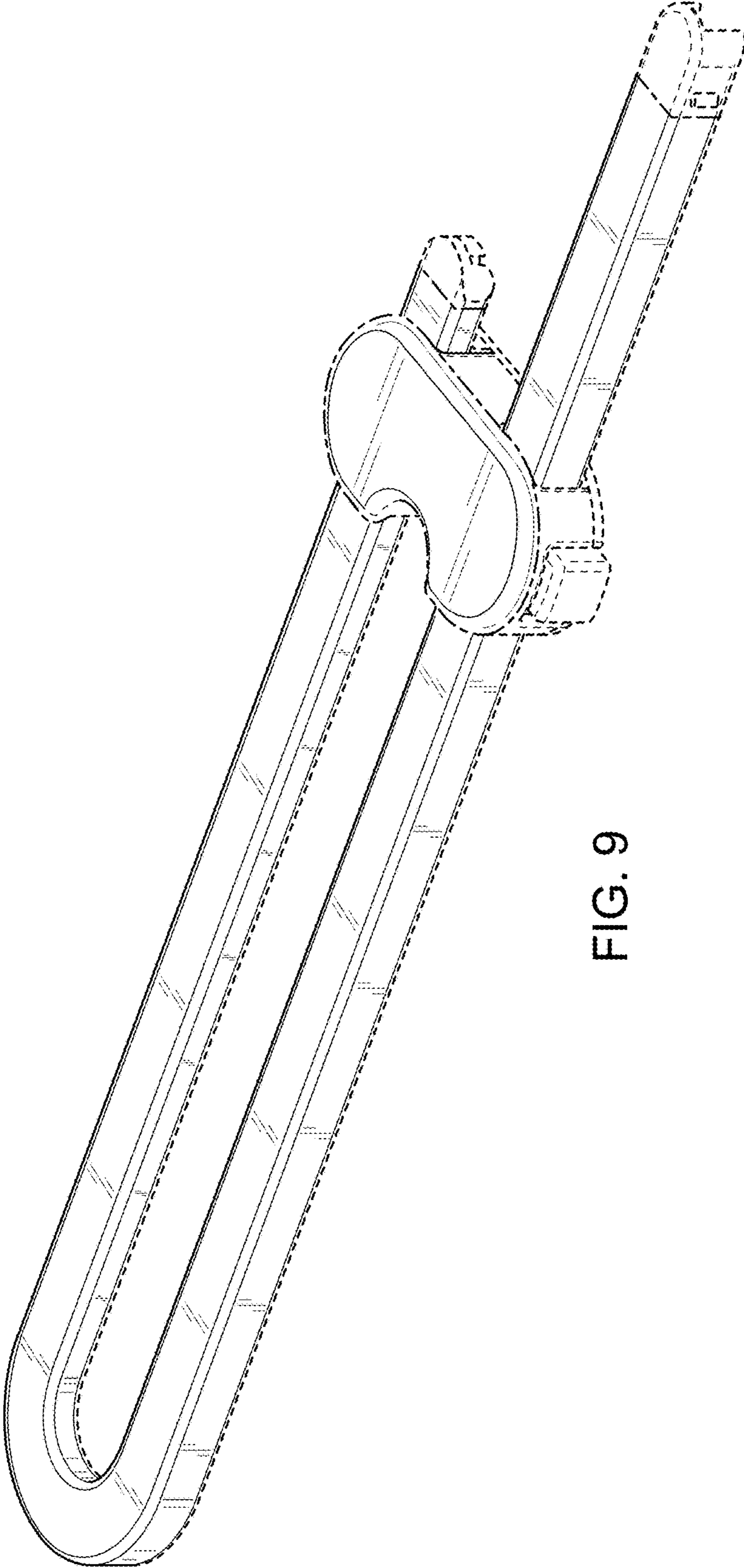


FIG. 9