



US00D803660S

(12) **United States Design Patent** (10) **Patent No.:** **US D803,660 S**
Tomizawa et al. (45) **Date of Patent:** **** Nov. 28, 2017**

(54) **HINGE**

(71) Applicant: **SUGATSUNE KOGYO CO., LTD.**,
Chiyoda-ku, Tokyo (JP)

(72) Inventors: **Kenji Tomizawa**, Chiyoda-ku (JP);
Hideki Ogasawara, Tokyo (JP)

(73) Assignee: **SUGATSUNE KOGYO CO., LTD.**,
Tokyo (JP)

(**) Term: **15 Years**

(21) Appl. No.: **29/594,743**

(22) Filed: **Feb. 22, 2017**

Related U.S. Application Data

(62) Division of application No. 29/561,744, filed on Apr.
19, 2016, now Pat. No. Des. 789,172.

(30) **Foreign Application Priority Data**

Oct. 20, 2015 (JP) 2015-023190
Oct. 20, 2015 (JP) 2015-023191

(51) **LOC (10) Cl.** **08-06**

(52) **U.S. Cl.**
USPC **D8/328**

(58) **Field of Classification Search**
USPC D8/323, 340, 343, 333, 325, 329, 336,
D8/328; 16/387, 342, 337, 382, 281,
16/386, 211, 252; 292/264; 248/213
CPC .. E05D 1/00; E05D 11/06; E05D 5/10; E05D
3/02; E05D 11/082; E05D 1/04; E05D
11/1014; A47K 13/12; E05C 17/025;
B21D 53/40; E05B 65/50

See application file for complete search history.

(56) **References Cited**

U.S. PATENT DOCUMENTS

4,163,303	A *	8/1979	Hanna	E05D 1/02
				16/227
D418,736	S *	1/2000	Perkins	D8/328
D614,015	S *	4/2010	Friedrich	D8/330
D622,576	S *	8/2010	Farkas	D8/328
D635,433	S *	4/2011	Le	D8/327
D653,097	S *	1/2012	Hatano	D8/328
D748,451	S *	2/2016	Tung	D8/328

* cited by examiner

Primary Examiner — Cynthia Underwood

(74) *Attorney, Agent, or Firm* — Masuvalley & Partners

(57) **CLAIM**

The ornamental design for a hinge, as shown and described.

DESCRIPTION

FIG. 1 is a perspective view of a hinge according to the invention;

FIG. 2 is a front elevation view of the hinge of FIG. 1;

FIG. 3 is a rear elevation view of the hinge of FIG. 1;

FIG. 4 is a top plan view of the hinge of FIG. 1;

FIG. 5 is a bottom plan view of the hinge of FIG. 1;

FIG. 6 is a right side elevation view of the hinge of FIG. 1;

FIG. 7 is a left side elevation view of the hinge of FIG. 1;

FIG. 8 is a perspective view of the hinge of FIG. 1 in a closed state; and,

FIG. 9 is a plan view of the hinge of FIG. 1 in the closed state.

The broken line showing of the hinge is for the purpose of illustrating portions of the hinge and forms no part of the claimed design.

1 Claim, 8 Drawing Sheets

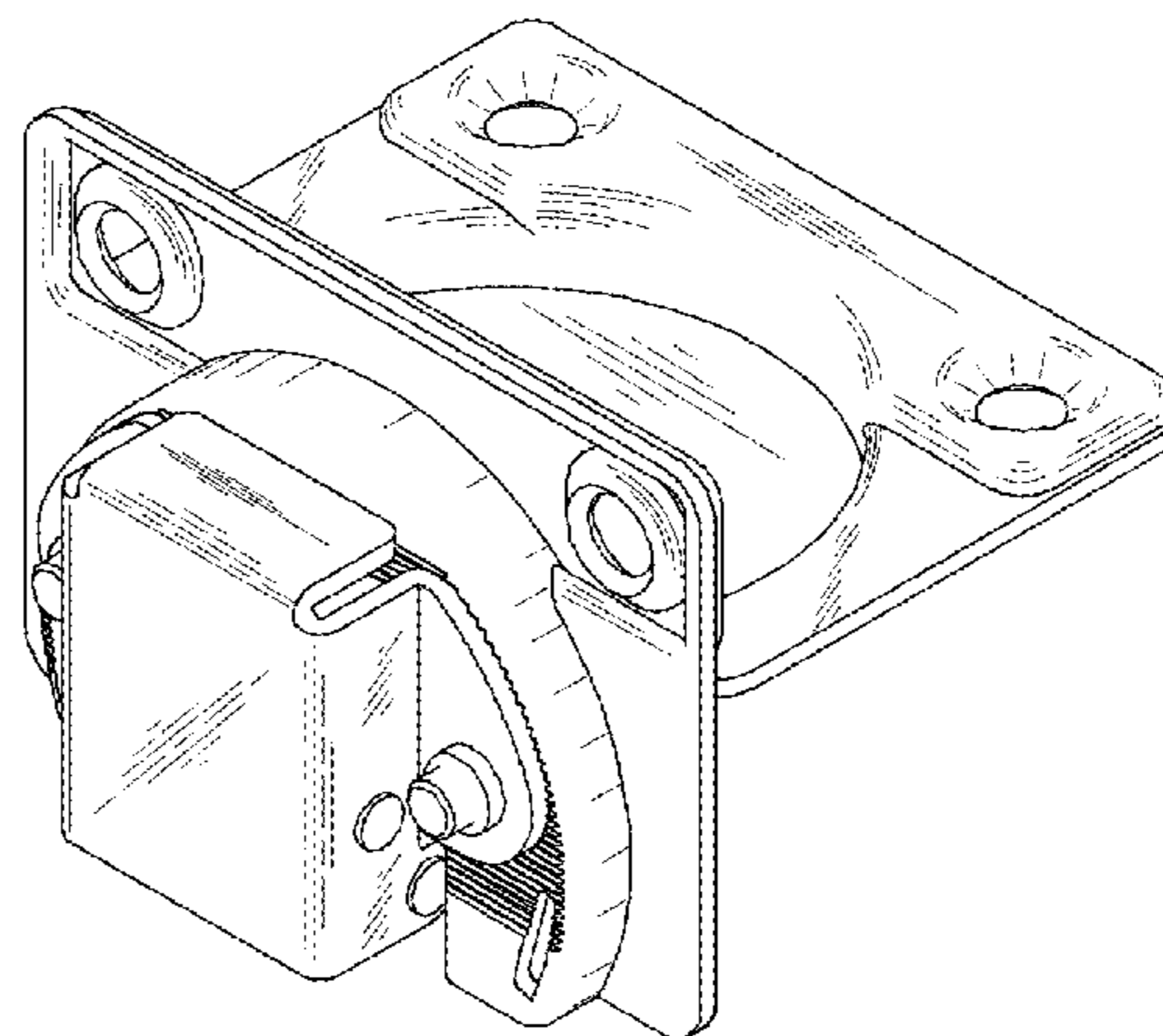
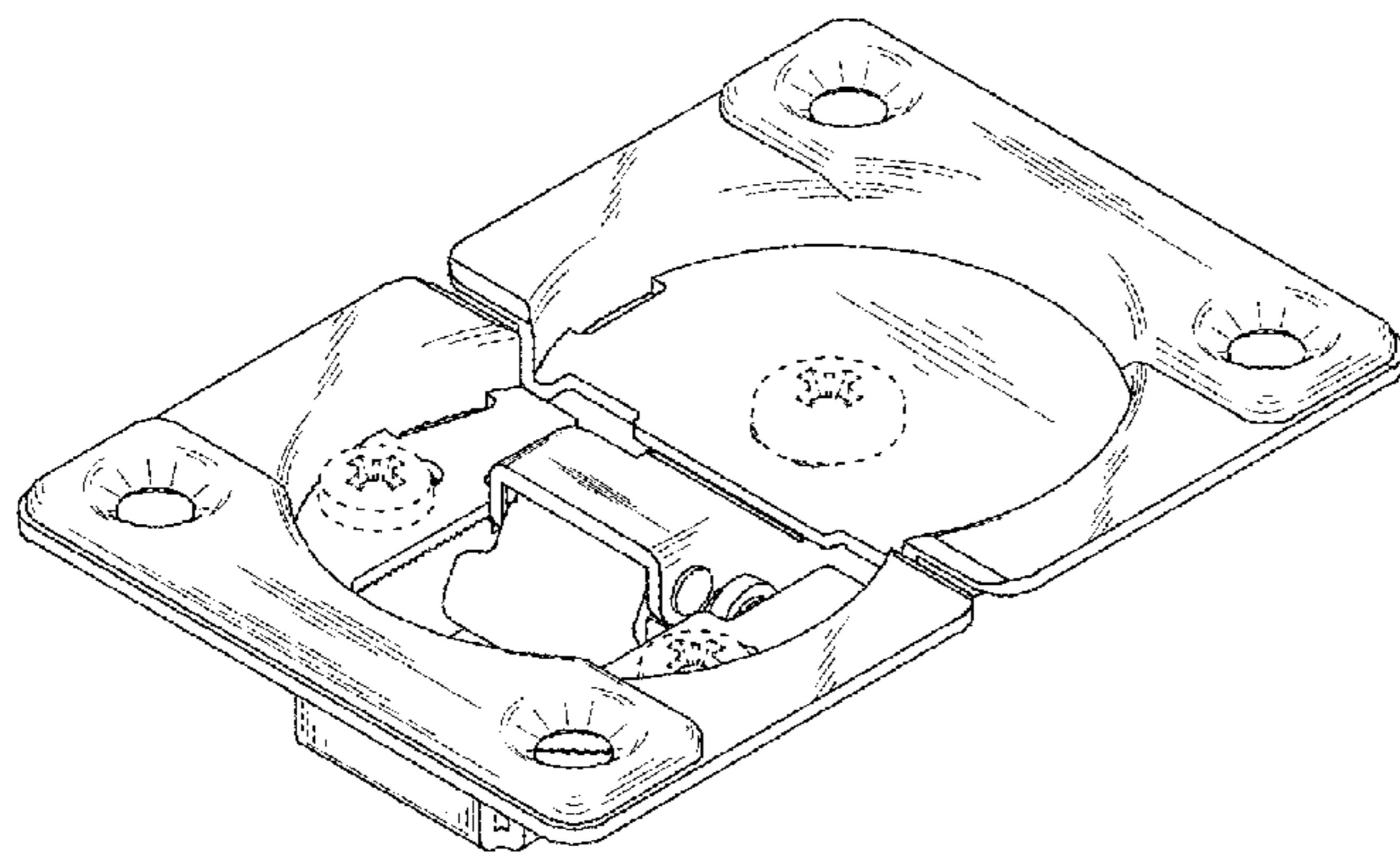


FIG. 1

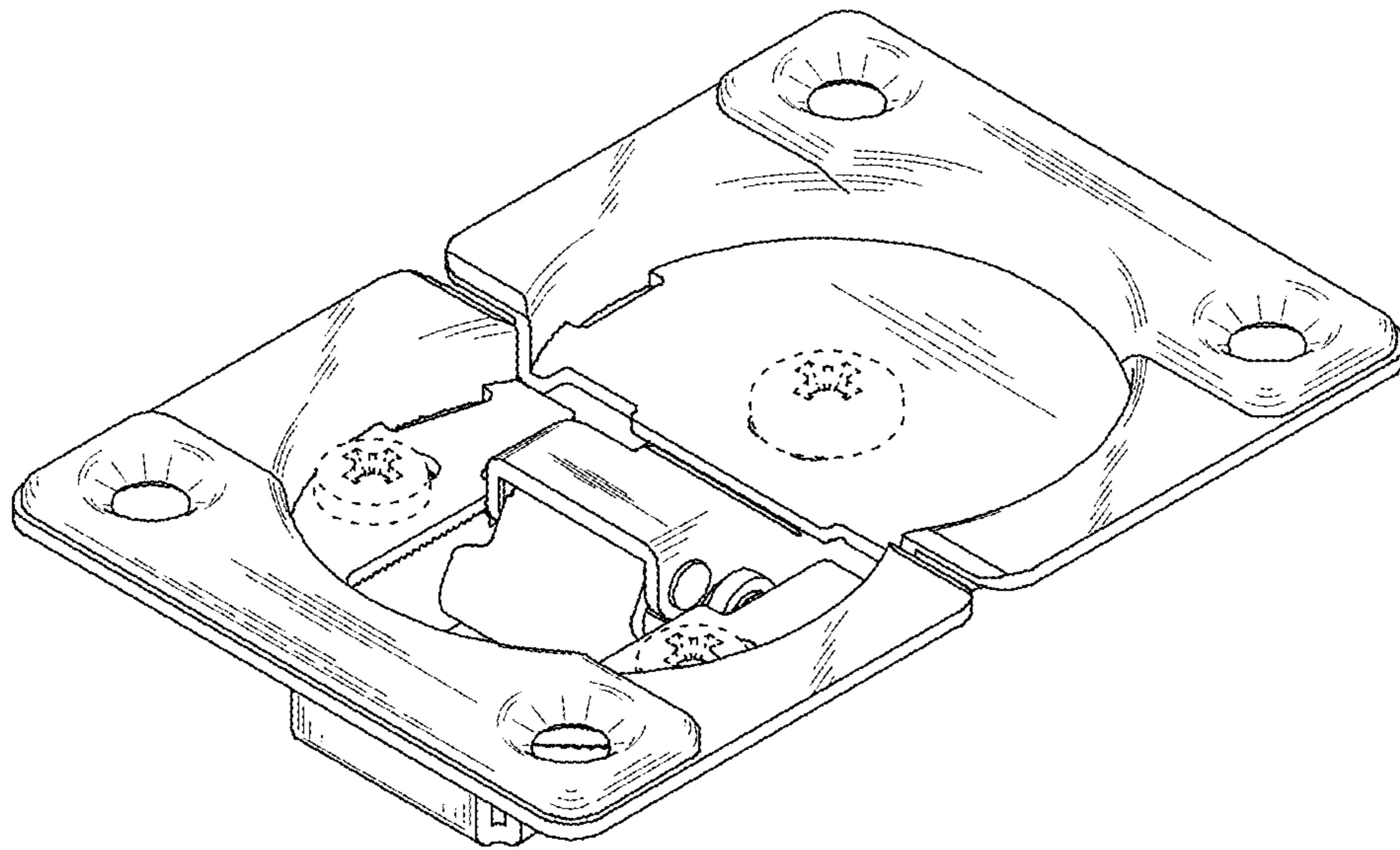


FIG. 2

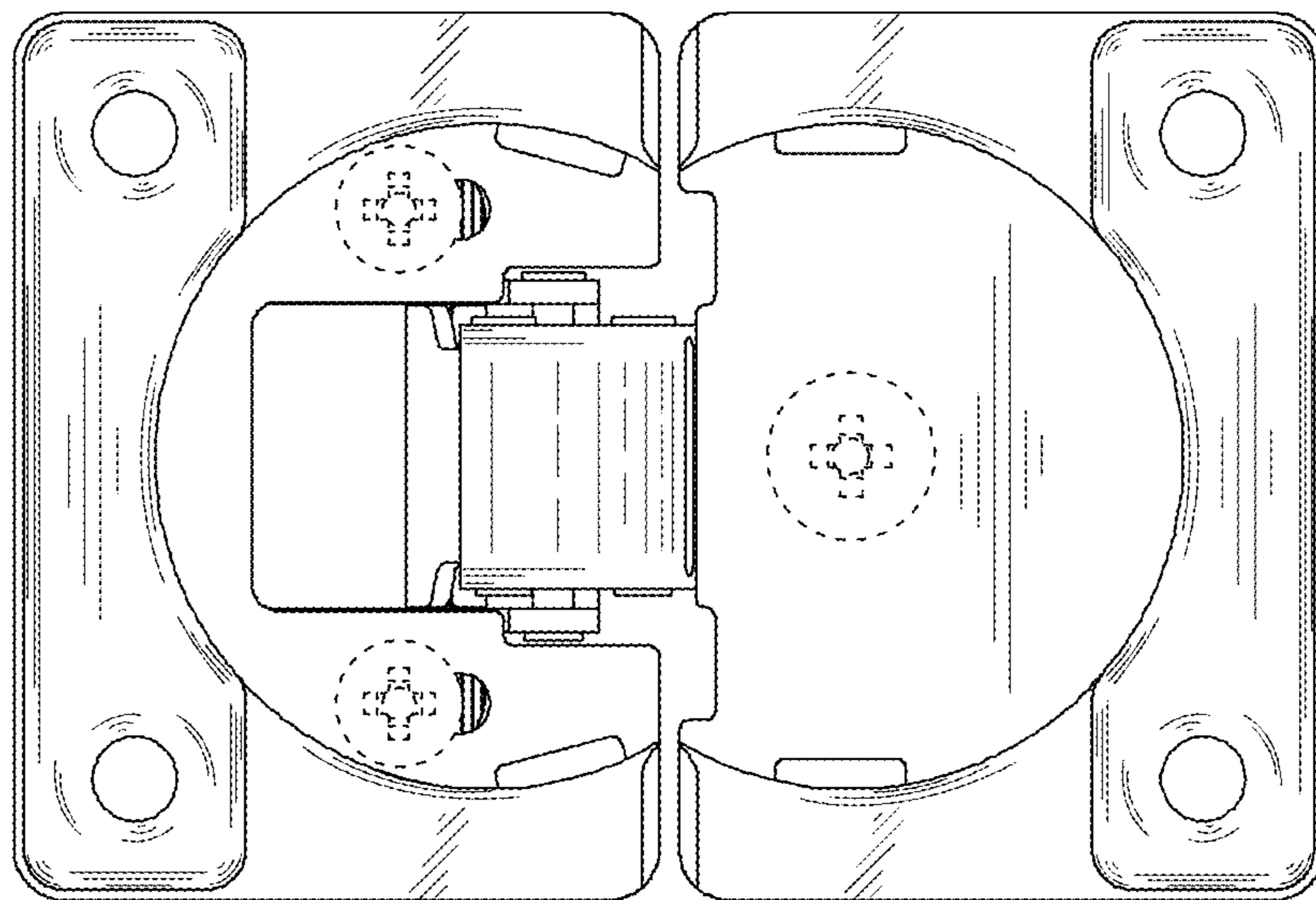


FIG. 3

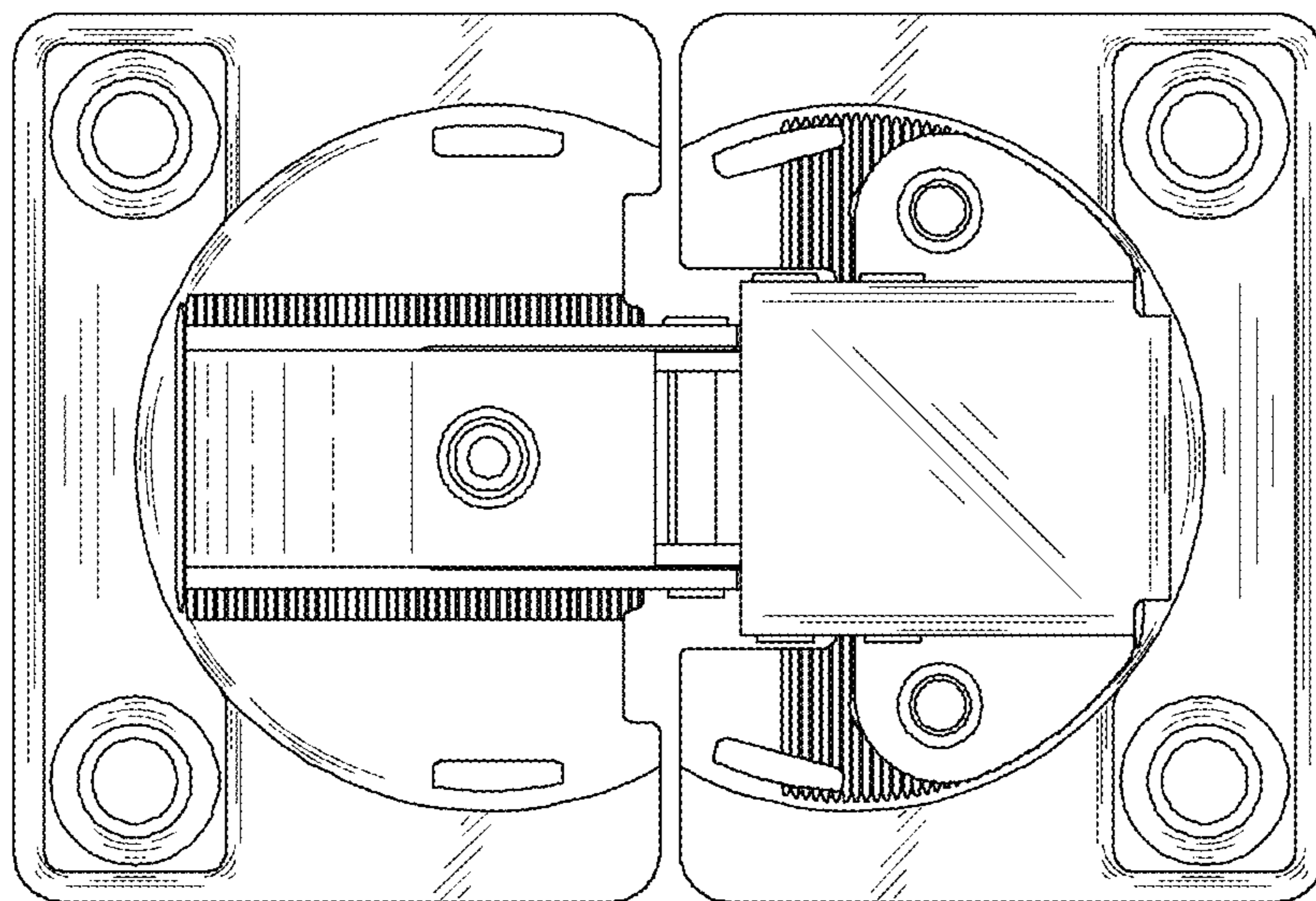


FIG. 4

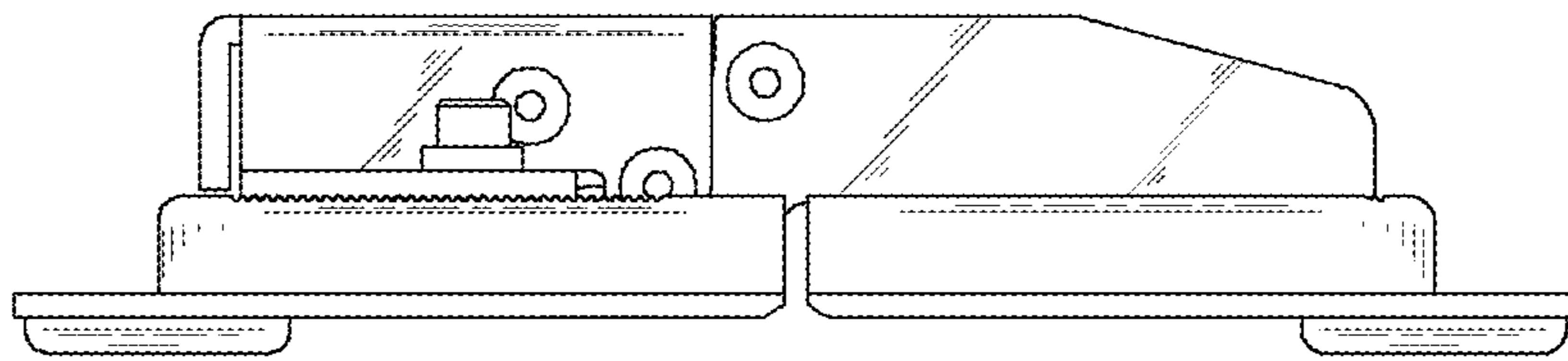


FIG. 5

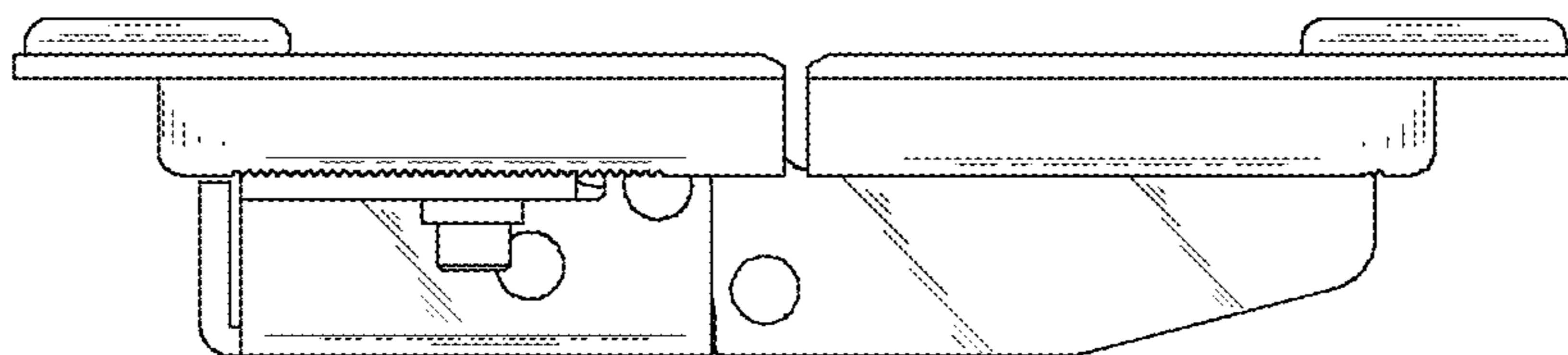


FIG. 6

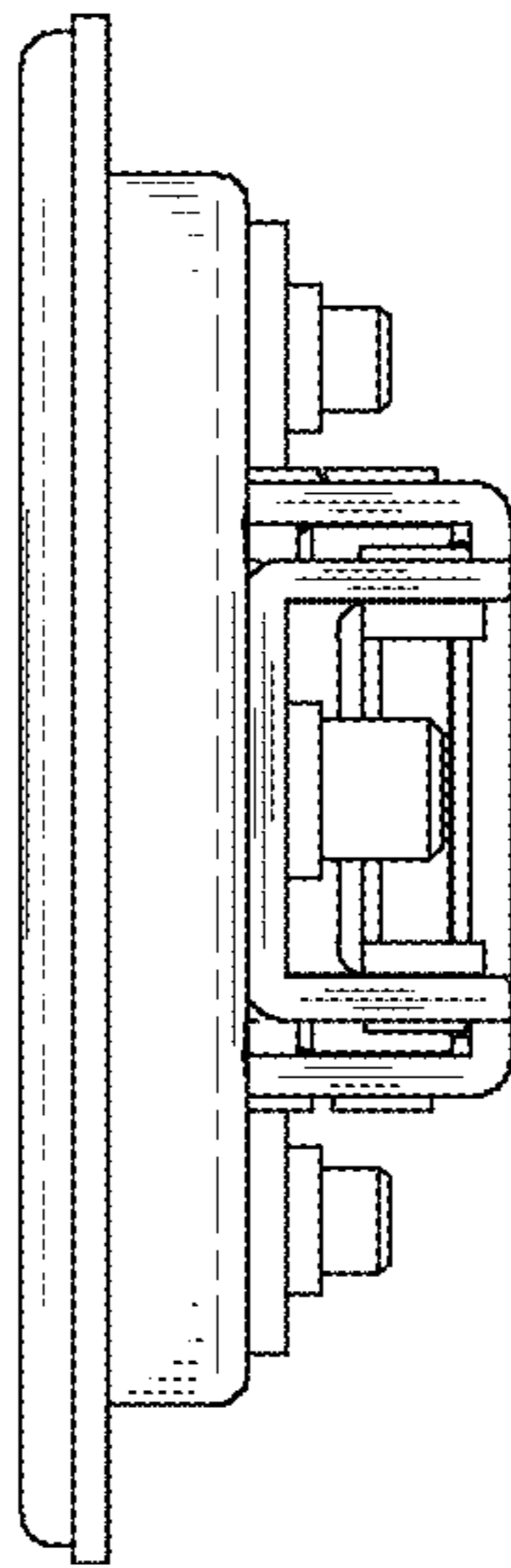


FIG. 7

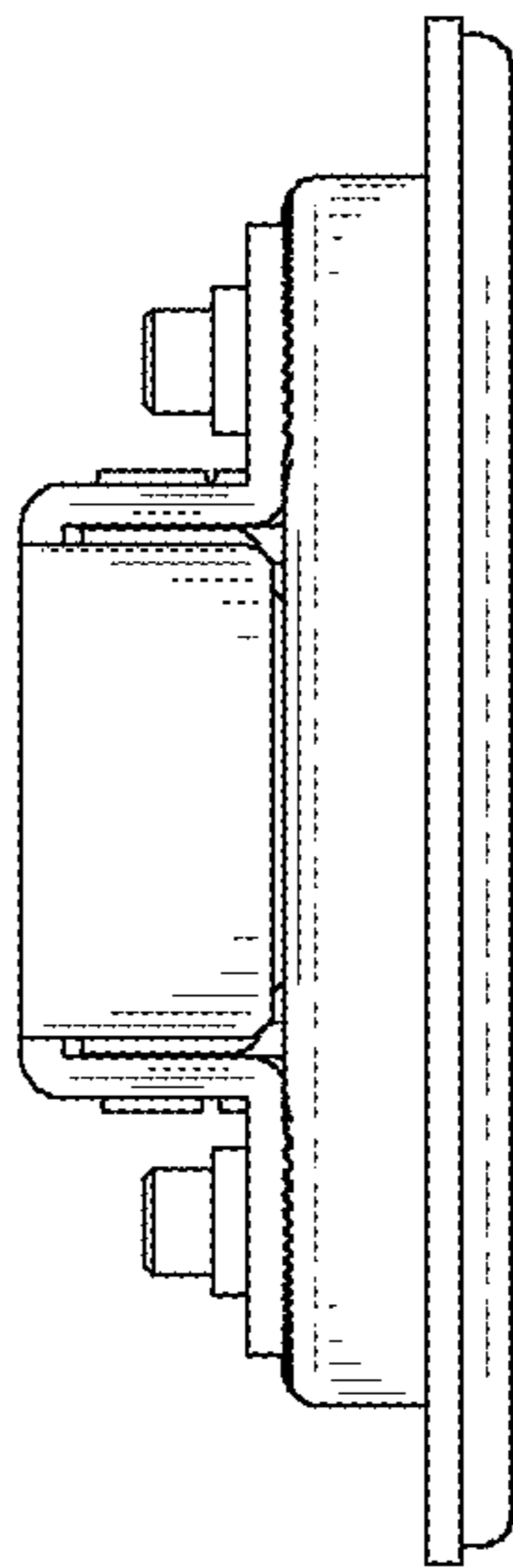


FIG. 8

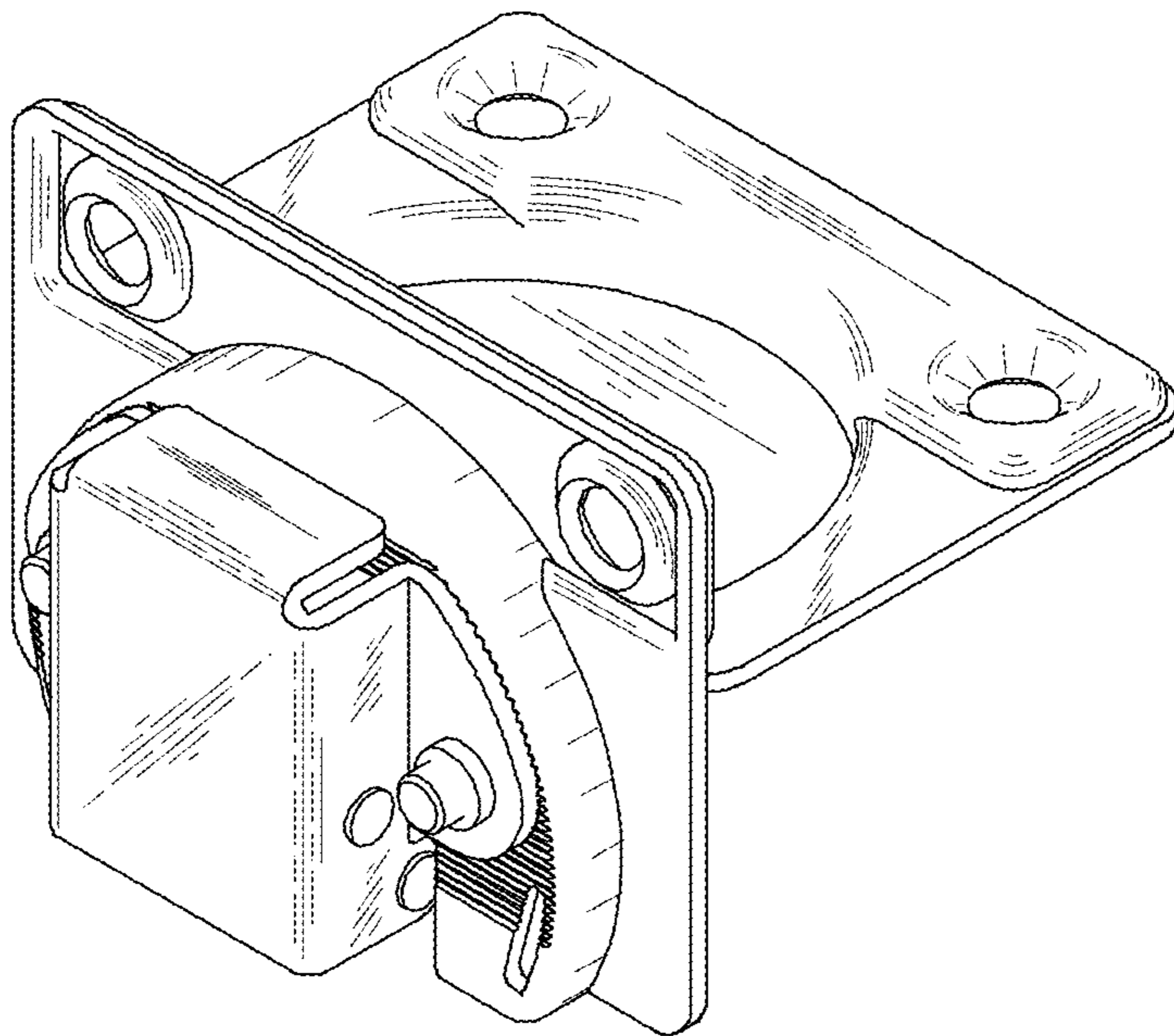


FIG. 9

