



US00D803656S

(12) **United States Design Patent** (10) **Patent No.:** **US D803,656 S**
Stinson et al. (45) **Date of Patent:** **** Nov. 28, 2017**

(54) **SAFETY KNIFE BLADE**
(71) Applicant: **MADI, LLC**, Greenville, SC (US)
(72) Inventors: **Ralph Dudley Stinson**, Lutz, FL (US);
Brad Sumlin, Clearwater, FL (US)
(73) Assignee: **MADI, LLC**, Greenville, SC (US)
(**) Term: **15 Years**
(21) Appl. No.: **29/581,292**
(22) Filed: **Oct. 18, 2016**
(51) **LOC (10) Cl.** **08-03**
(52) **U.S. Cl.**
USPC **D8/99**; D8/20
(58) **Field of Classification Search**
USPC D8/14, 20, 51, 98, 99, 100, 105;
D22/118; D7/649, 650
CPC .. B26B 1/00; B26B 1/102; B26B 1/04; B26B
1/042; B26B 1/046; B26B 3/00; B26B
9/00; B26B 9/02
See application file for complete search history.

(56) **References Cited**
U.S. PATENT DOCUMENTS
D246,281 S * 11/1977 Ferrara, Jr. D7/649
D282,097 S * 1/1986 Nativo D22/118
D332,383 S * 1/1993 Hagler D8/98
D344,006 S * 2/1994 Glesser D22/118
D349,837 S * 8/1994 Glesser D8/20
D442,459 S * 5/2001 Wilkinson D15/139
6,318,218 B1 * 11/2001 Anderson B25F 1/003
7/118
D581,240 S * 11/2008 Glesser D8/99

D622,805 S * 8/2010 Bloch D22/118
8,375,589 B2 * 2/2013 Bremer B26B 1/046
30/155
9,061,426 B2 * 6/2015 Harvey B26B 1/042
D749,921 S * 2/2016 Sanchez D8/7

* cited by examiner
Primary Examiner — Phillip S Hyder
(74) *Attorney, Agent, or Firm* — Trego, Hines &
Ladenheim, PLLC

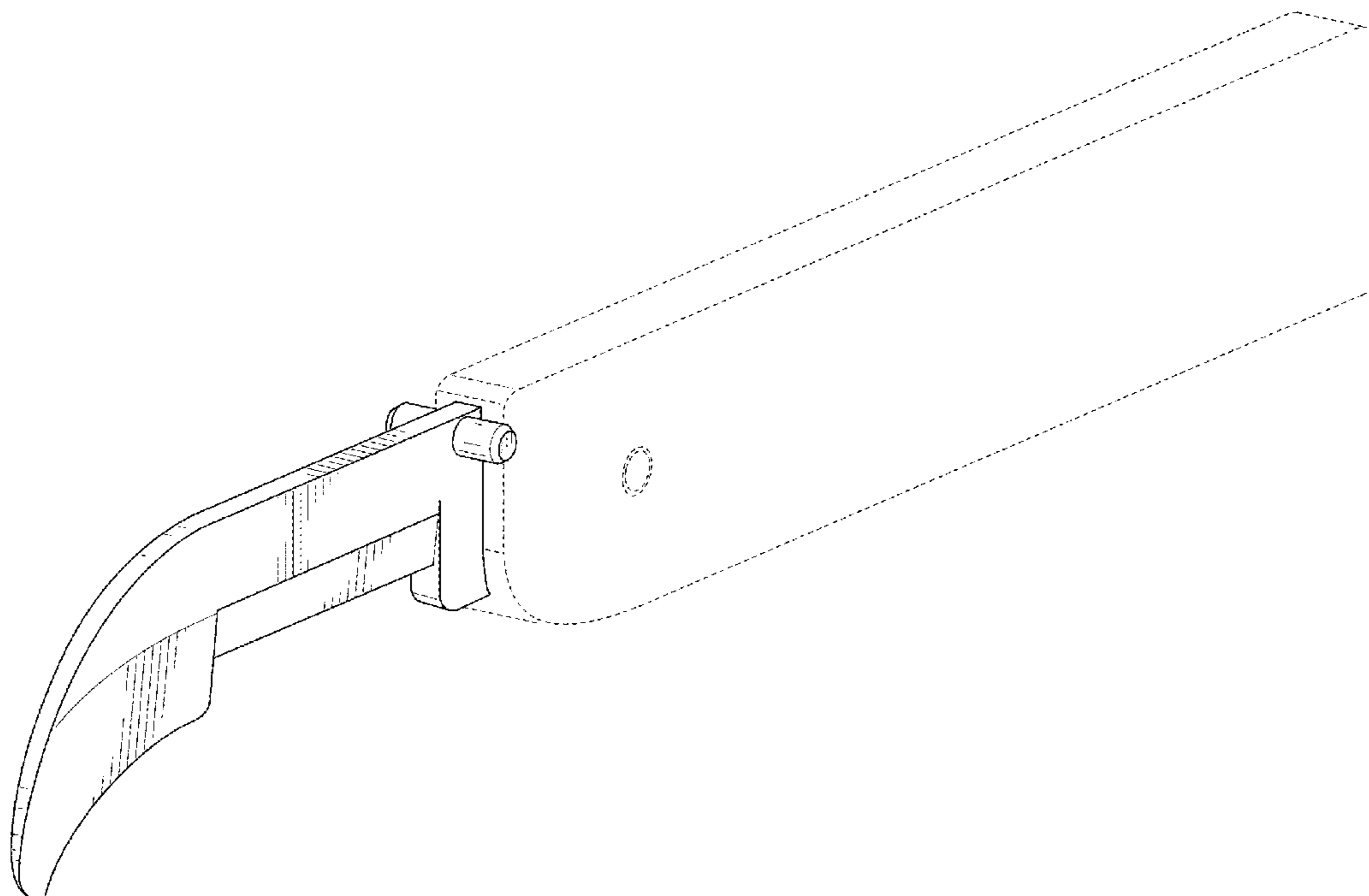
(57) **CLAIM**

We claim the ornamental design for a safety knife blade, as shown and described.

DESCRIPTION

FIG. 1 is a perspective view of a safety knife blade, showing my design;
FIG. 2 is a front elevation of the safety knife blade of FIG. 1;
FIG. 3 is a rear elevation of the safety knife blade of FIG. 1;
FIG. 4 is a right side elevation of the safety knife blade of FIG. 1;
FIG. 5 is a left side elevation of the safety knife blade of FIG. 1;
FIG. 6 is a top view of the safety knife blade of FIG. 1; and,
FIG. 7 is a bottom view of the safety knife blade of FIG. 1.
The broken line showing of the knife handle is provided for purposes of environment and forms no part of the claimed design.

1 Claim, 4 Drawing Sheets



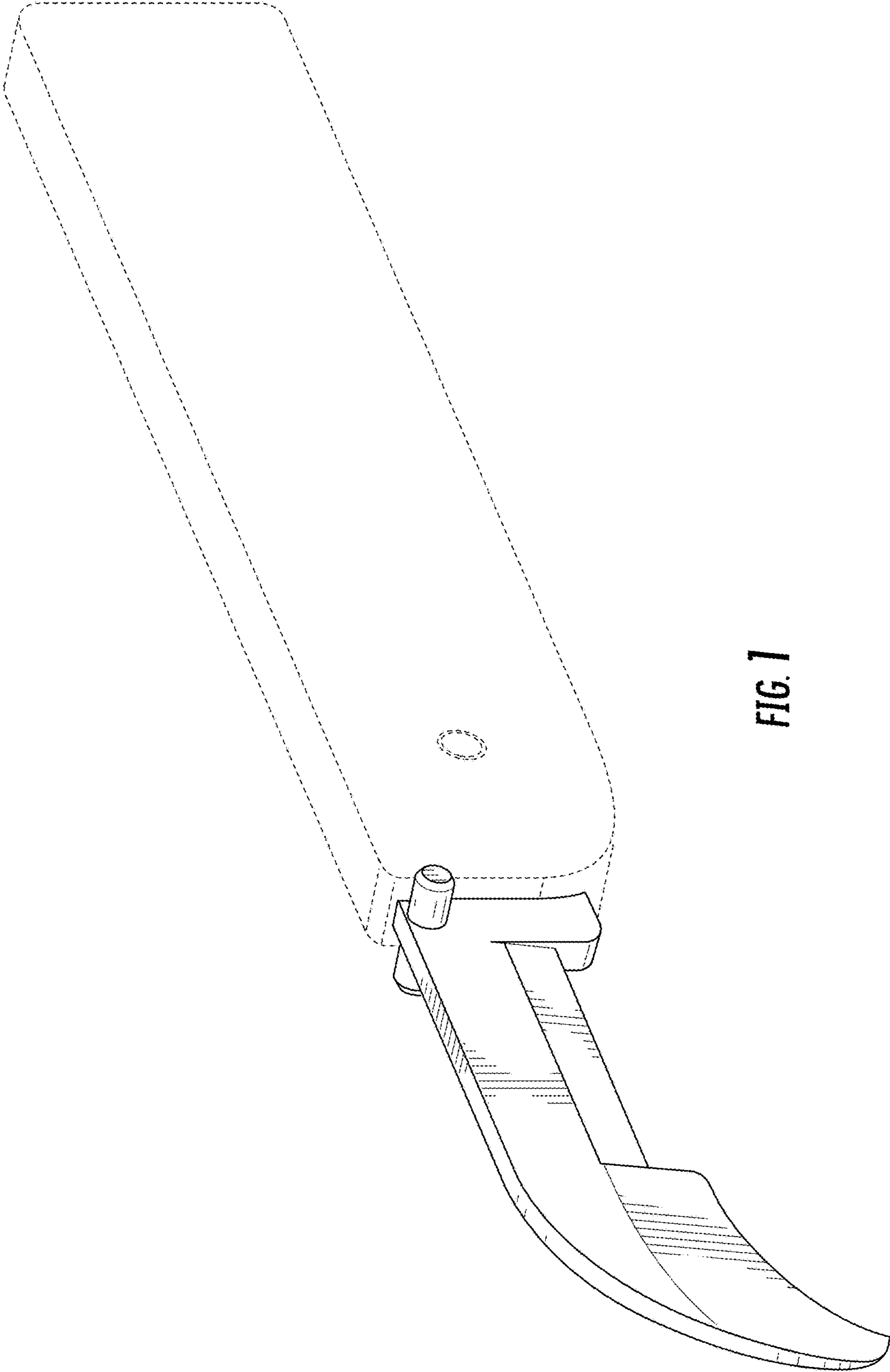


FIG. 1

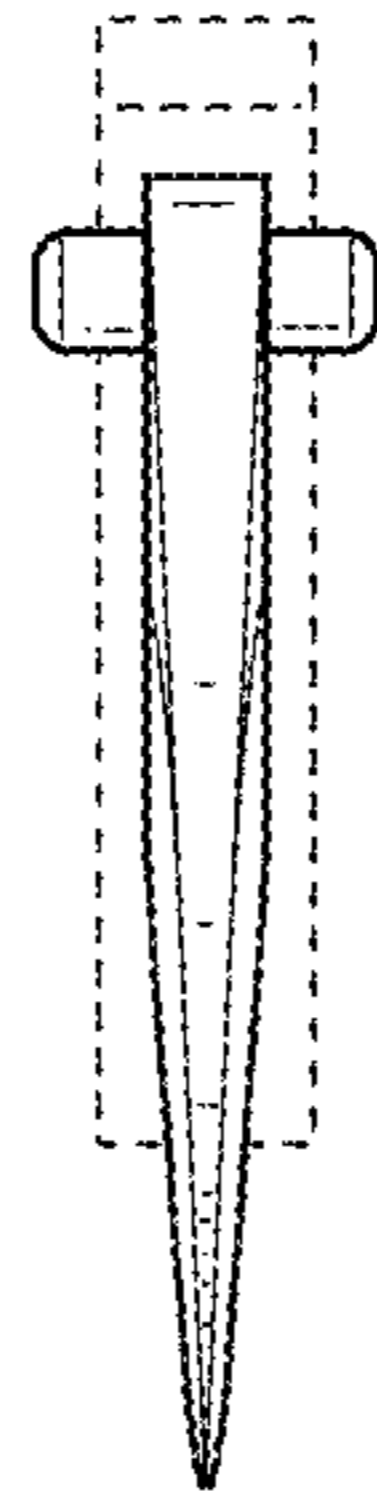


FIG. 2

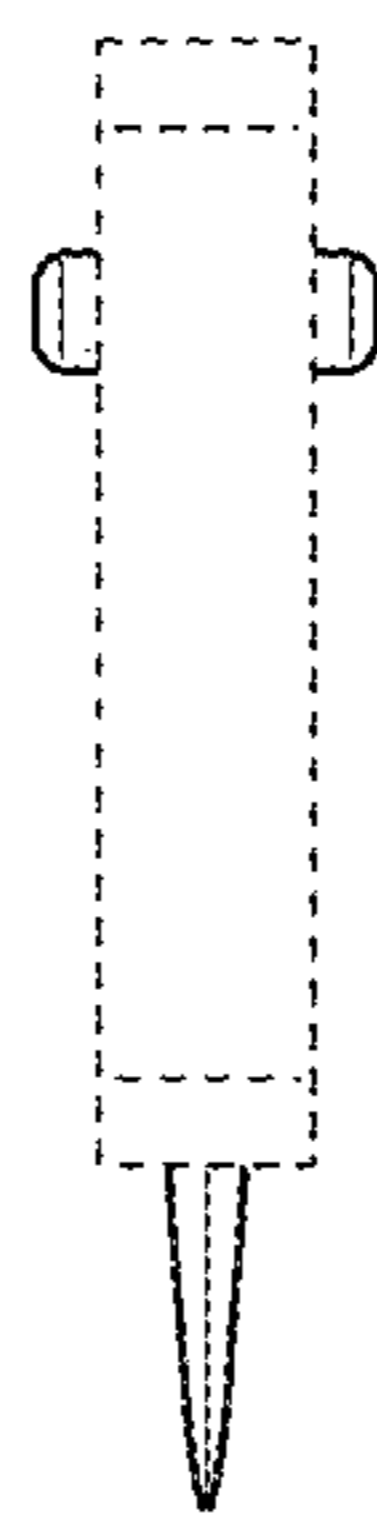


FIG. 3

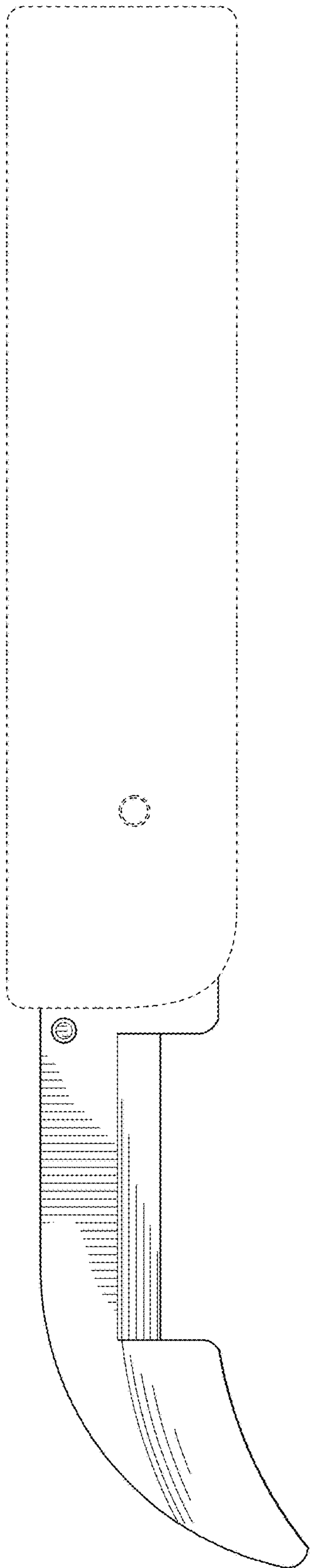


FIG. 4

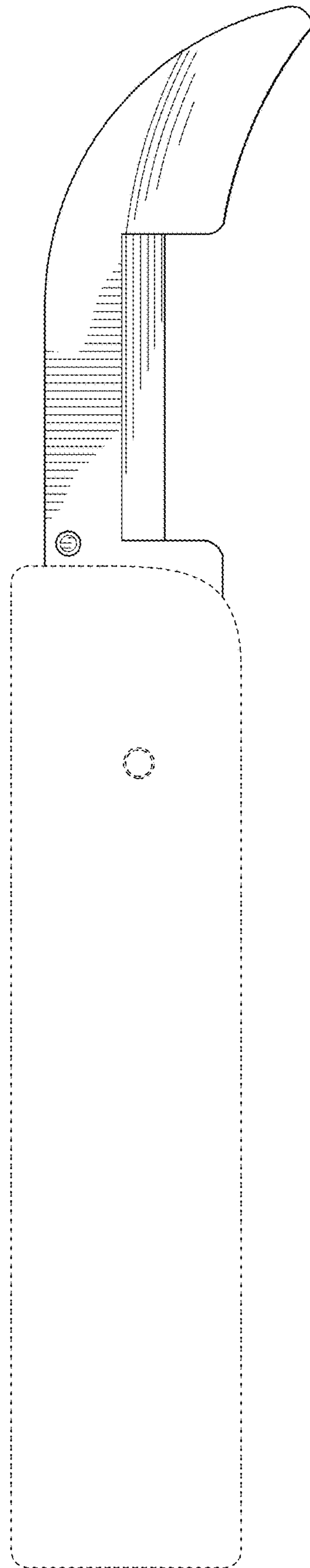


FIG. 5

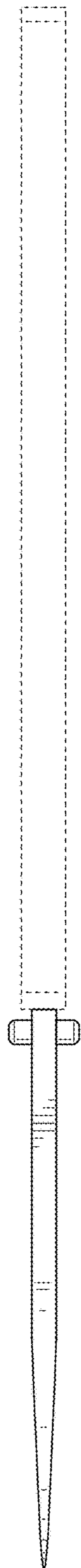


FIG. 6

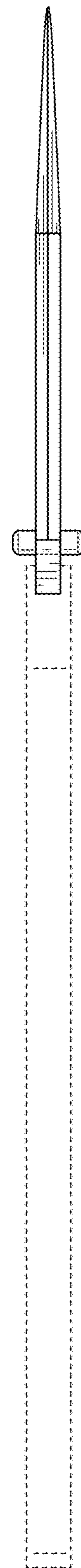


FIG. 7