



US00D803655S

(12) **United States Design Patent**  
**Jacobson**

(10) **Patent No.:** **US D803,655 S**

(45) **Date of Patent:** **\*\* Nov. 28, 2017**

- (54) **KNIFE HANDLE WITH LIGHTS**
- (71) Applicant: **Revo Brand Group, LLC**, Plymouth, MN (US)
- (72) Inventor: **Ryan Jacobson**, Minneapolis, MN (US)
- (73) Assignee: **Revo Brand Group, LLC**, Plymouth, MN (US)
- (\*\*) Term: **15 Years**
- (21) Appl. No.: **29/561,157**
- (22) Filed: **Apr. 13, 2016**
- (51) **LOC (10) Cl.** ..... **08-03**
- (52) **U.S. Cl.**  
USPC ..... **D8/99**
- (58) **Field of Classification Search**  
USPC ..... D8/98, 99, 100, 105, 107; D22/118; D26/38

(Continued)

(56) **References Cited**

**U.S. PATENT DOCUMENTS**

- D408,256 S \* 4/1999 Maxcy ..... D8/99
- D452,129 S \* 12/2001 McCalla ..... D22/118

(Continued)

**OTHER PUBLICATIONS**

Gunther Gifts; Mini-Light Knives; Product Webpage; Jan. 25, 2011; <http://www.gunthergifts.com/swissarlig.html>.  
 Anne M Hines; Non-Final Office Action for U.S. Appl. No. 13/463,521; USPTO Communication; dated Sep. 12, 2013.  
 SOG Speciality Knives & Tools, LLC; BladeLight Hunt; Product Webpage; Apr. 2, 2014; <http://www.sogknives.com/bladelight-hunt.html>.

(Continued)

*Primary Examiner* — Phillip S Hyder  
 (74) *Attorney, Agent, or Firm* — Grumbles Law PLLC; Brittany Nanzig

(57) **CLAIM**

The ornamental design for a knife handle with lights, as shown and described.

**DESCRIPTION**

FIG. 1 is a right side elevational view of a knife handle with lights showing my new design.

FIG. 2 is a left side elevational view of the knife handle with lights.

FIG. 3 is a top plan view of the knife handle with lights.

FIG. 4 is a bottom plan view of the knife handle with lights.

FIG. 5 is a front elevational view of the knife handle with lights.

FIG. 6 is a back elevational view of the knife handle with lights.

FIG. 7 is a top and right side perspective view of the knife handle with lights.

FIG. 8 is a top and right side perspective view of the knife handle with lights.

FIG. 9 is a bottom and right side perspective view of the knife handle with lights.

FIG. 10 is a bottom and right side perspective view of the knife handle with lights.

FIG. 11 is a right side elevational view of the knife handle with lights.

FIG. 12 is a right side elevational view of the knife handle with lights.

FIG. 13 is a top and right side perspective view of the knife handle with lights.

FIG. 14 is a bottom and right side perspective view of the knife handle with lights.

FIG. 15 is a top and right side perspective view of the knife handle with lights.

FIG. 16 is a bottom and right side perspective view of the knife handle with lights.

FIG. 17 is a top and right side perspective view of the knife handle with lights.

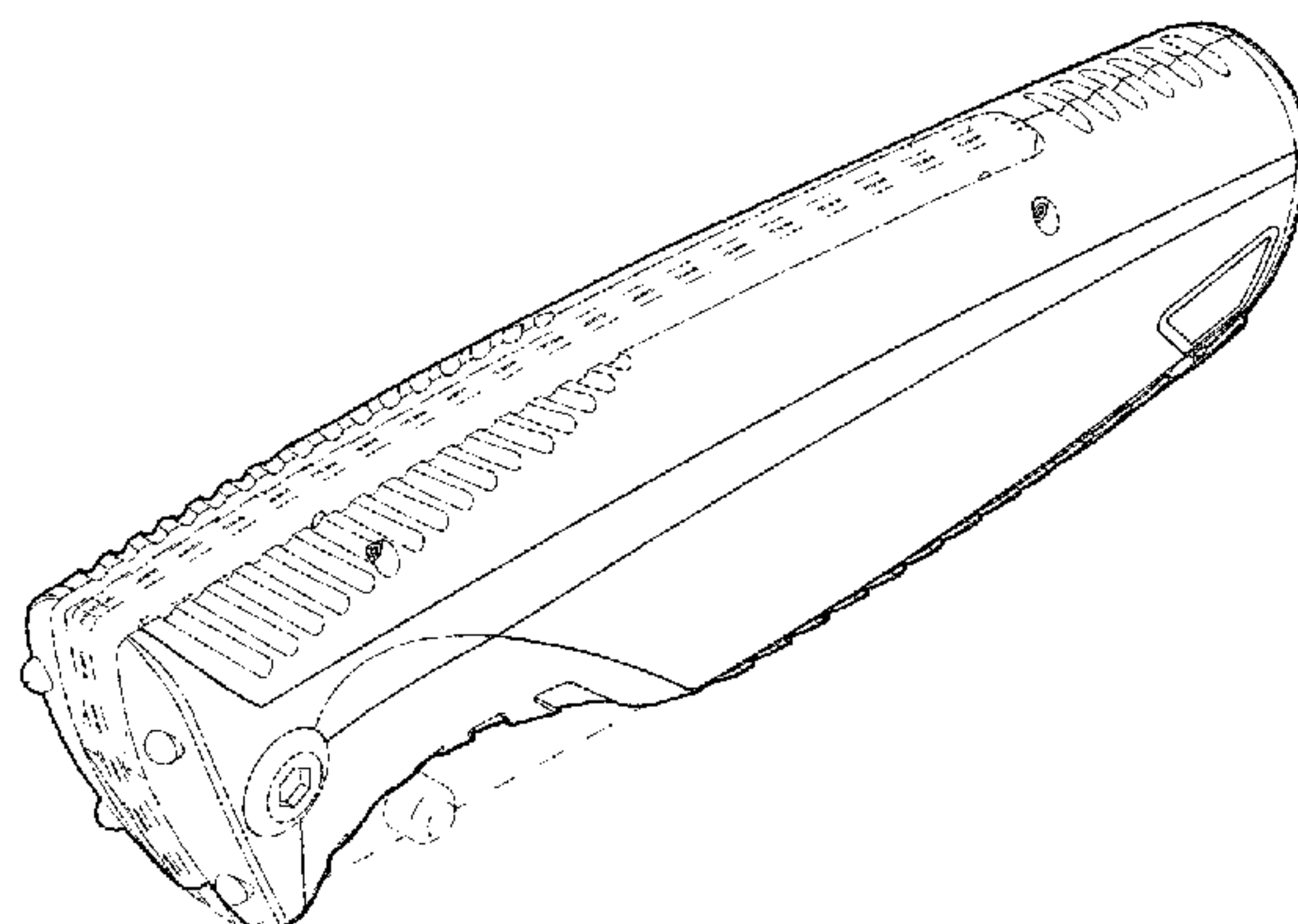
FIG. 18 is a bottom and right side perspective view of the knife handle with lights.

FIG. 19 is a top and right side perspective view of the knife handle with lights; and,

FIG. 20 is a bottom and right side perspective view of the knife handle with lights.

The broken lines in the drawings depict the blades, internal elements, and other parts of the knife handle with lights that are provided for purposes of environment and form no part of the claimed design.

**1 Claim, 10 Drawing Sheets**



(58) **Field of Classification Search**

CPC .. B26B 1/04; B26B 1/02; B26B 11/00; B26B 11/08; B26B 11/001; B26B 11/003; B25B 23/18; F21V 33/00

See application file for complete search history.

(56) **References Cited**

U.S. PATENT DOCUMENTS

D474,391	S *	5/2003	Padden .....	D26/38
D488,205	S	4/2004	Skowronski	
7,008,076	B2	3/2006	Zirk	
D549,799	S	8/2007	Kroll	
7,306,366	B1	12/2007	Camenzind	
D636,053	S *	4/2011	Freeman .....	D22/118
8,317,351	B2	11/2012	Brown	
D696,920	S *	1/2014	Cagampang .....	D8/99
D741,680	S *	10/2015	Hunter .....	D8/99
D750,949	S *	3/2016	Hofman .....	D8/104
D758,822	S *	6/2016	Windom .....	D8/99
2004/0187313	A1	9/2004	Zirk	
2006/0164846	A1	7/2006	Kim	
2012/0212939	A1	8/2012	Brown et al.	

OTHER PUBLICATIONS

Buck Knives; Buck 731 X-Tract LED One Handed Opening Multi-Tool with LED Light; Product Webpage; Apr. 25, 2009; <http://www.amazon.com/Buck-X-Tract-Handed-Opening-Multi-Tool/dp/B0015LL5HU>.

Real Avid; Revelation Lighted Hunting Knife; Product Webpage; Dec. 29, 2013; <http://www.realavid.com/revelation-lighted-knife-satin-box.html>.

Real Avid; Revelation X4 Lighted Full Tang Hunting Knife; Product Webpage; Mar. 3, 2015; <http://www.realavid.com/revelation-x4.html>.

Real Avid; Real Avid Amp 3-in-1 Field Dressing Knife Box; Product Webpage; Dec. 15, 2014; <https://www.amazon.com/Real-Avid-Field-Dressing-Knife/dp/B00923Y07A>.

Wicked Edge; Wicked Edge Illuminator Knife, AUS-8 Steel, Textured Handle; Product Webpage; Aug. 14, 2014; <http://www.knifeworks.com/wickededgeilluminatorknifeaus-8steeltexthandle.aspx#.V4agglf0DLY>.

SOG Specialty Knives; SOG Specialty Knives & Tools BladeLight Folder Mini Folding Knife with 3-inch, 4 LEDs or 53 Lumens; Product Webpage; Sep. 24, 2015; <https://www.amazon.com/SOG-Specialty-Knives-BladeLight-Hardcased/dp/B00T4N58Q0>.

\* cited by examiner

FIG. 1

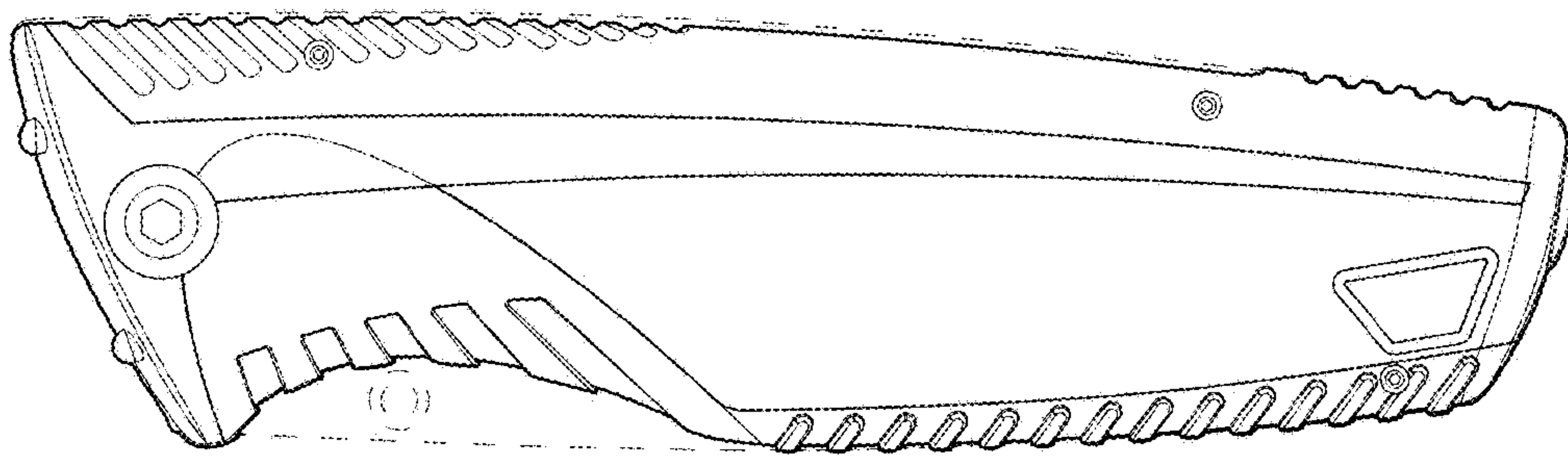


FIG. 2

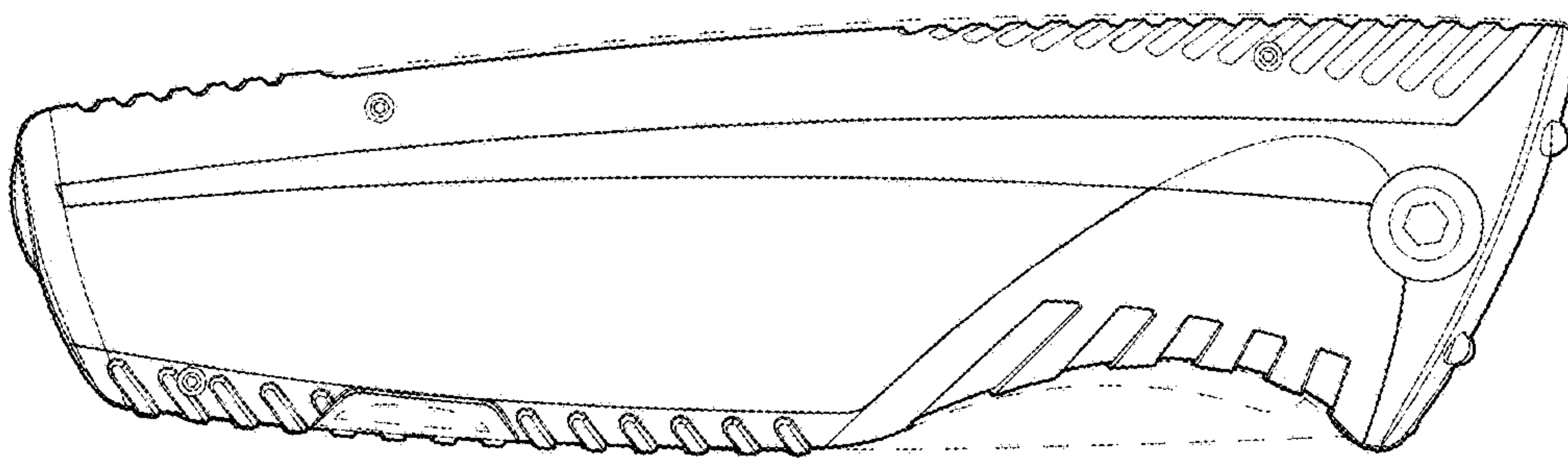




FIG. 3

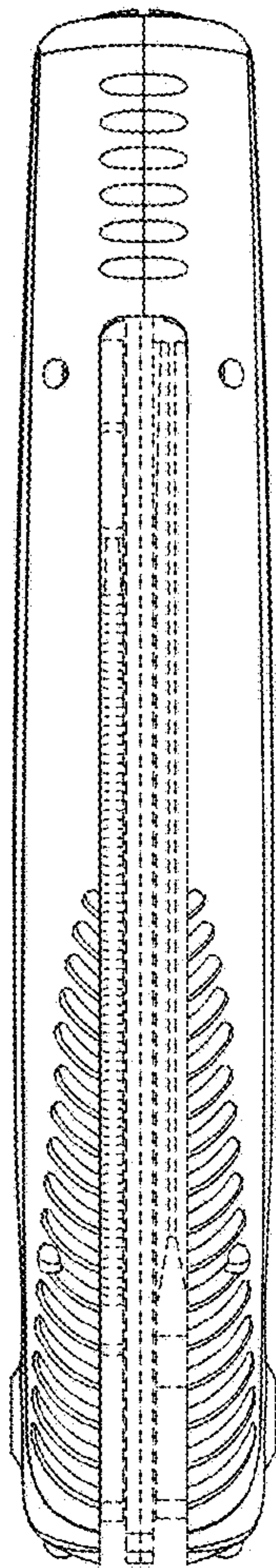


FIG. 4

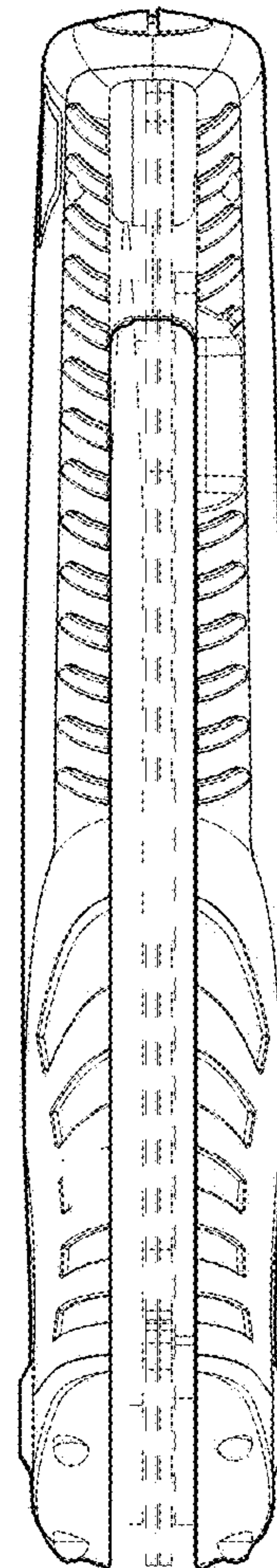


FIG. 5

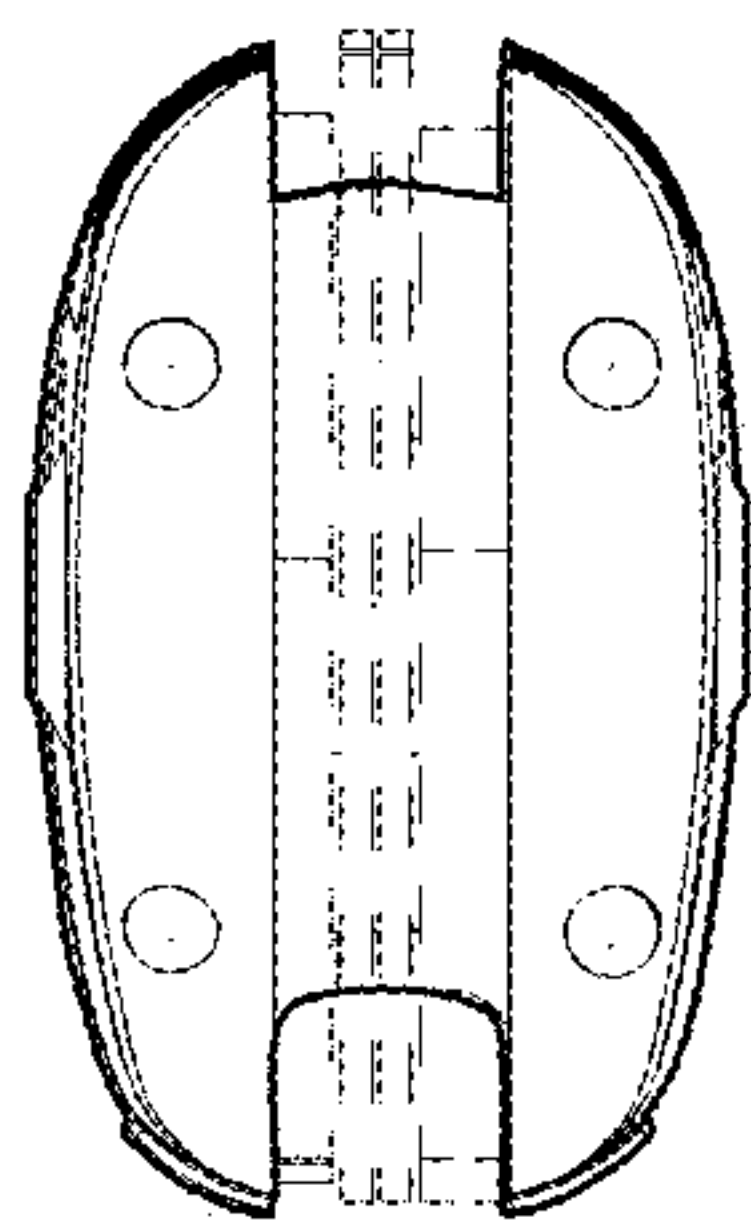


FIG. 6

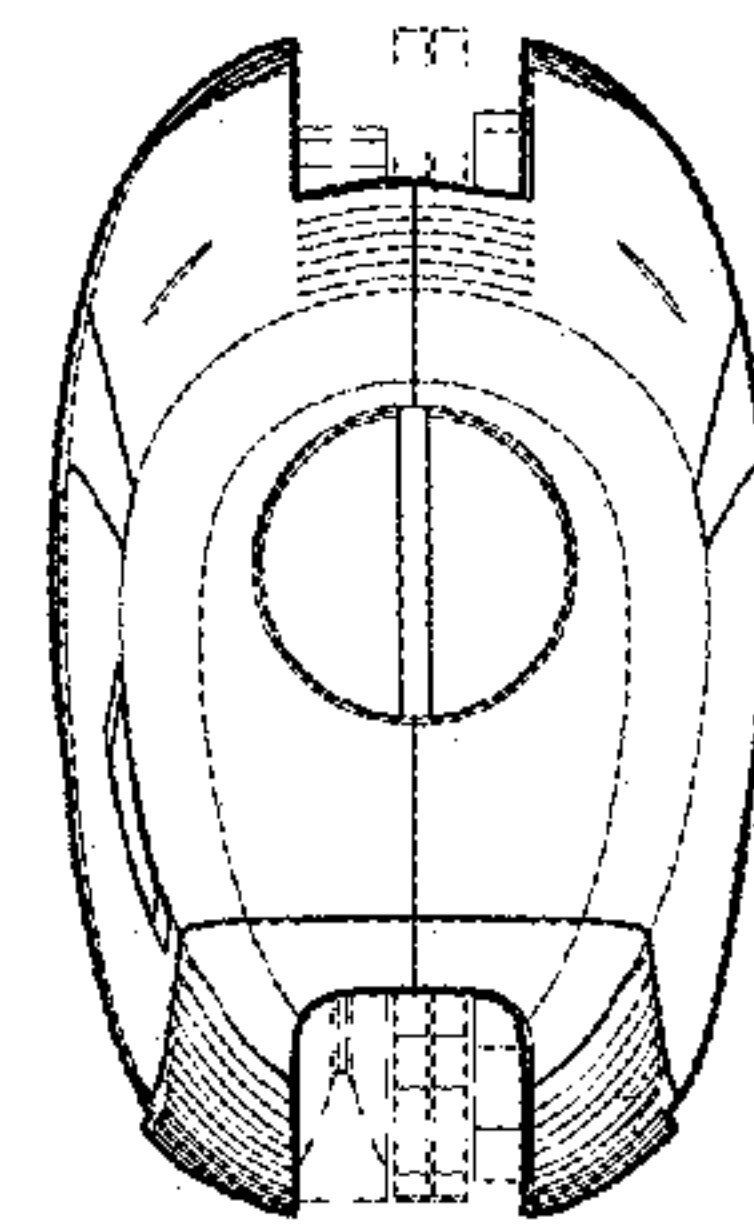


FIG. 7

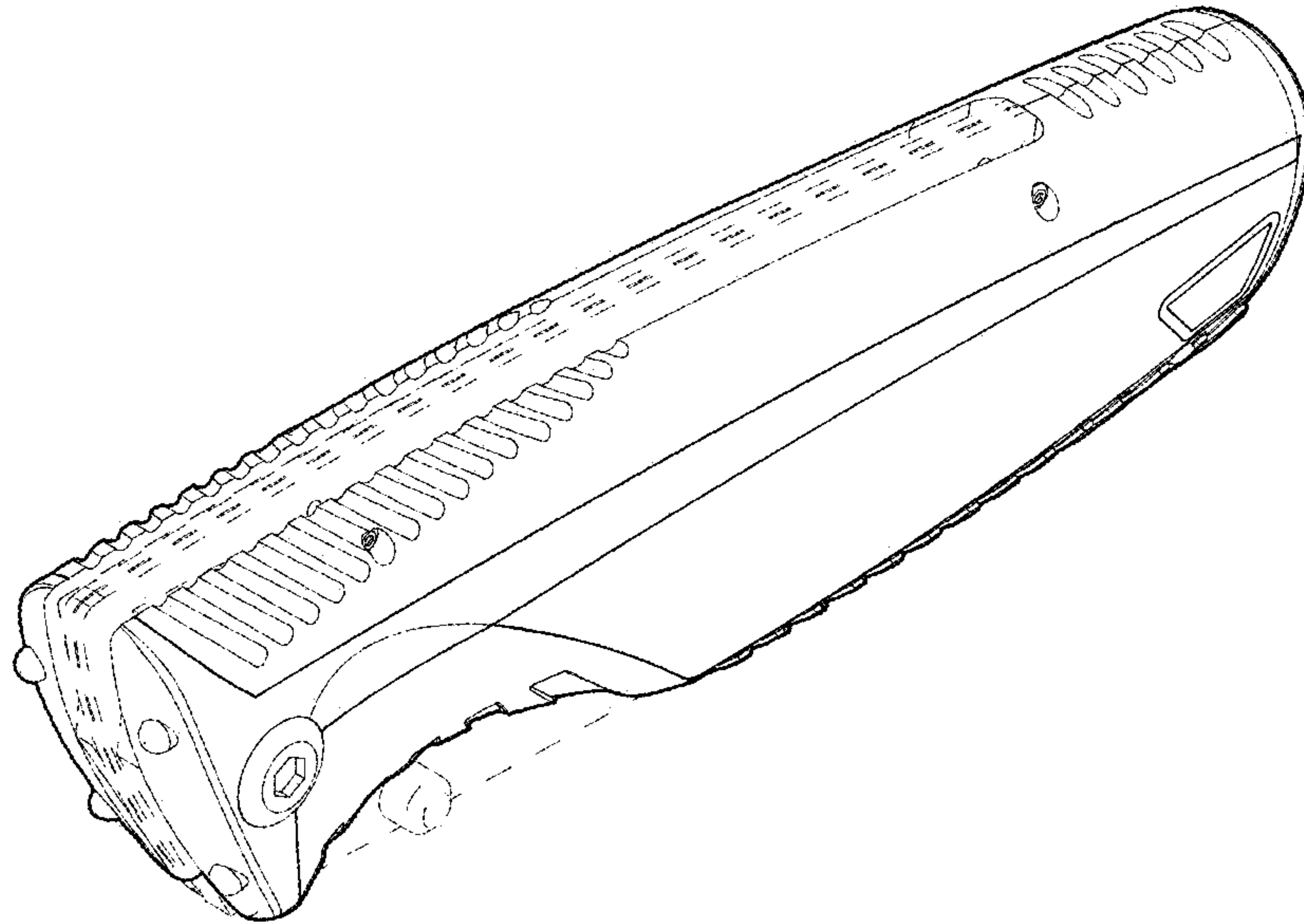


FIG. 8

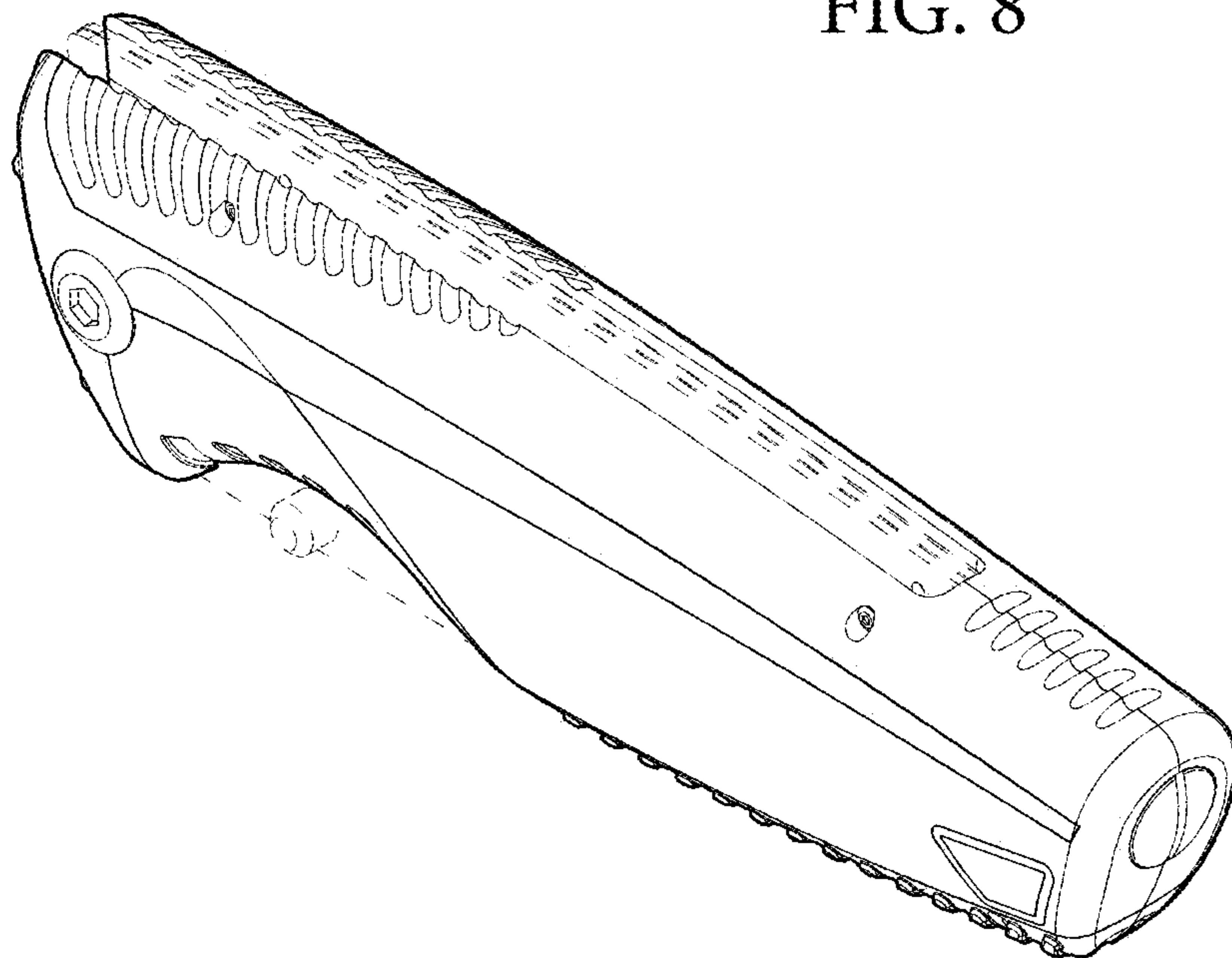


FIG. 9

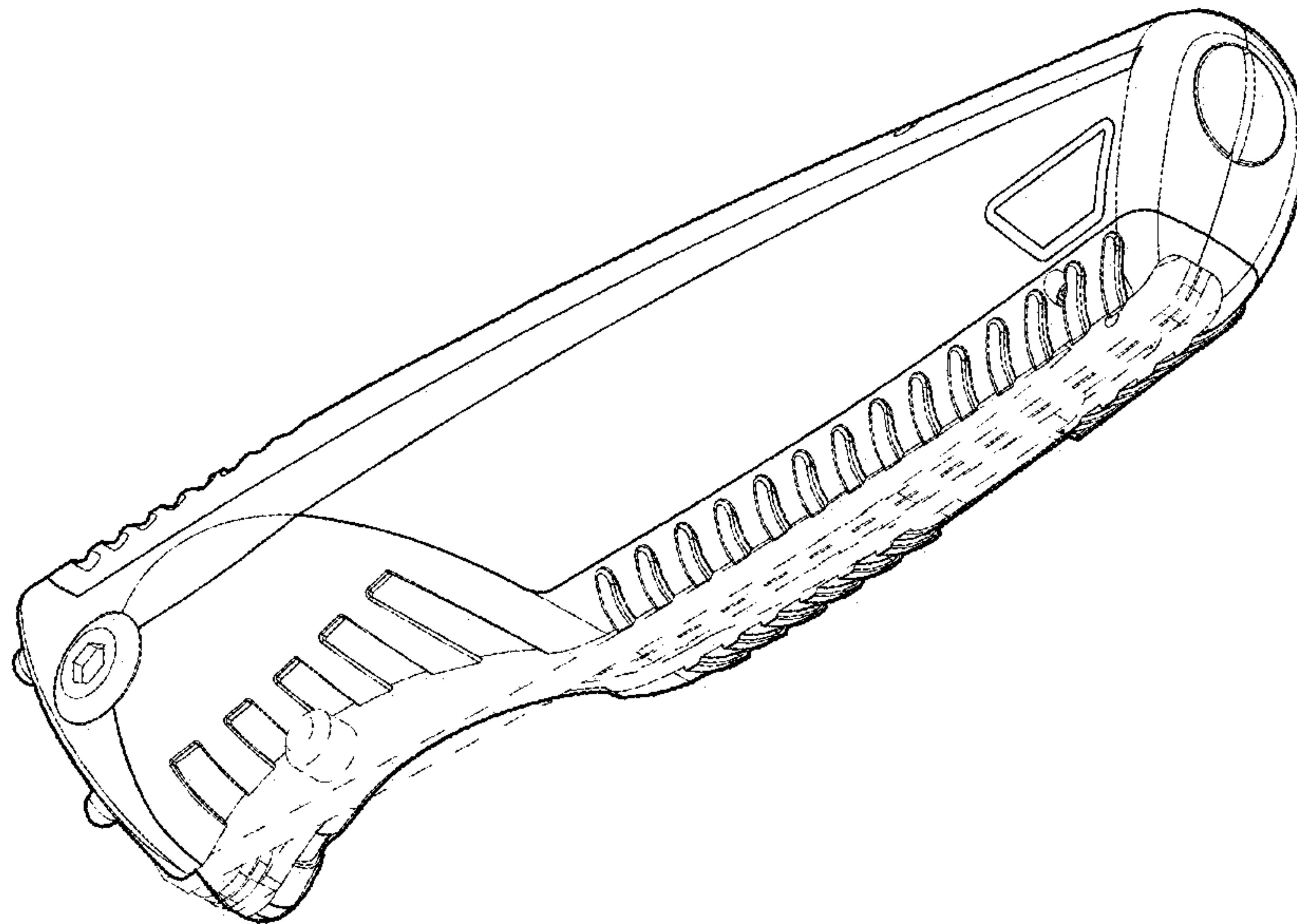


FIG. 10

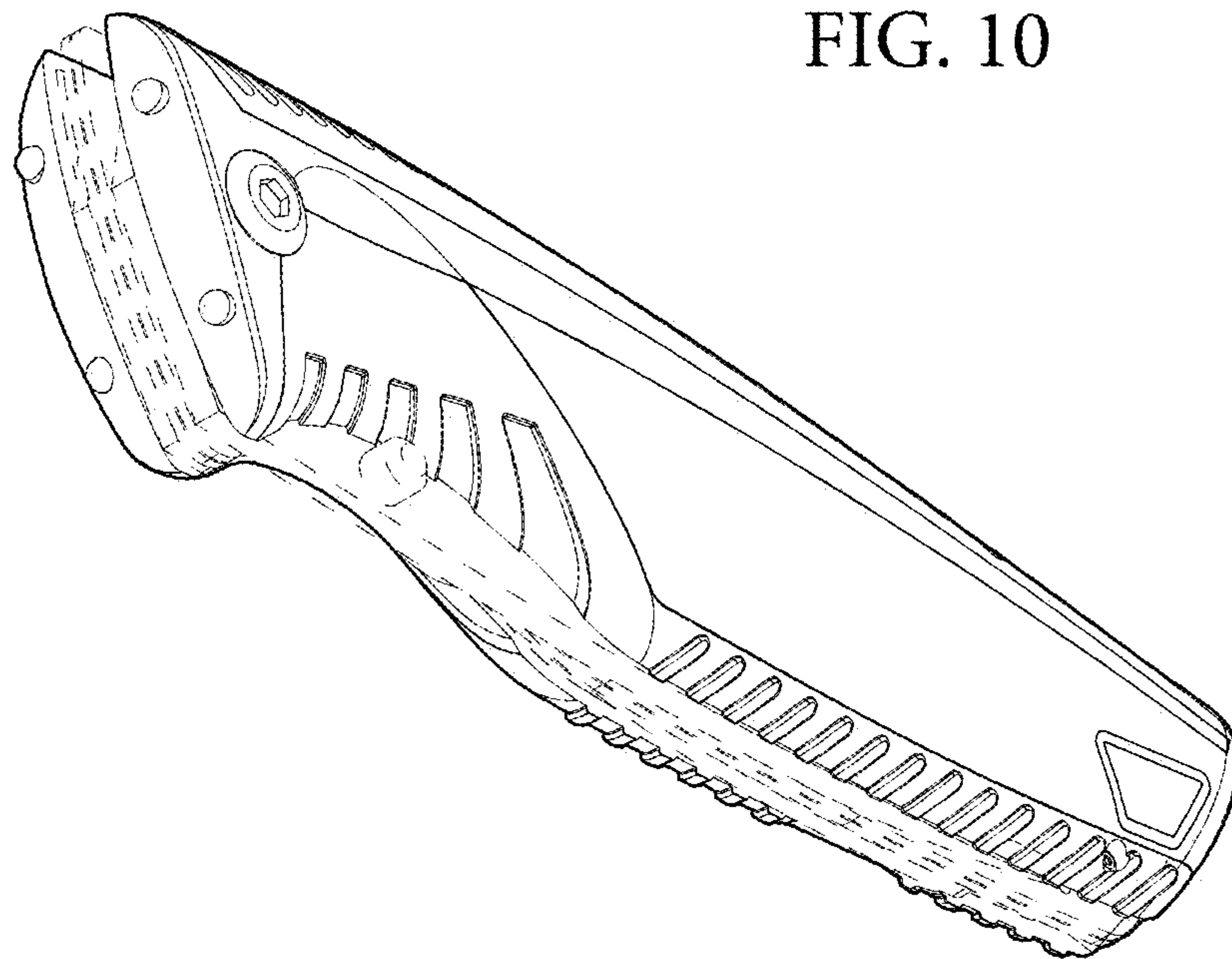


FIG. 11

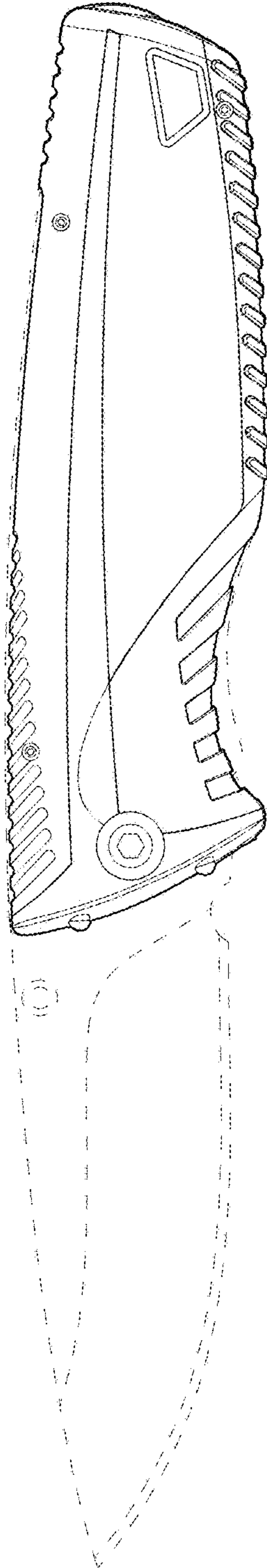


FIG. 12

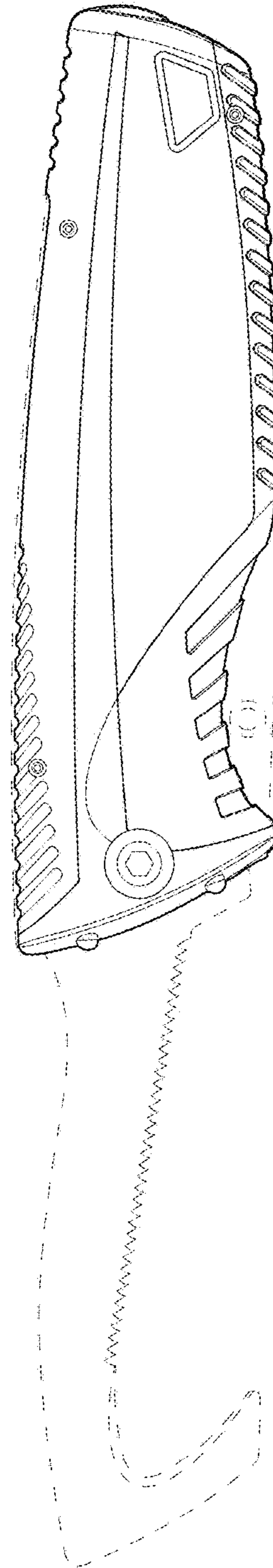




FIG. 13

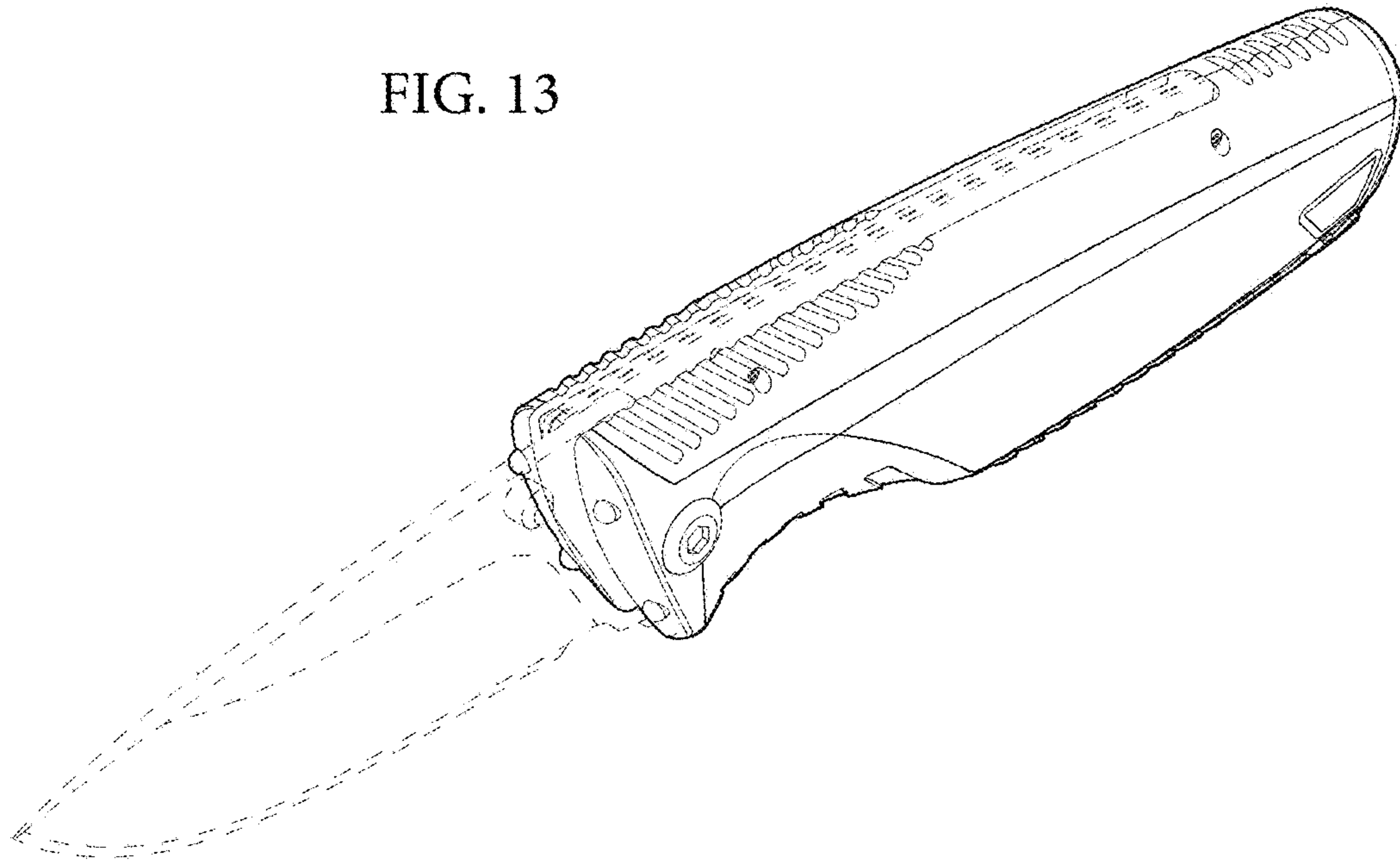


FIG. 14

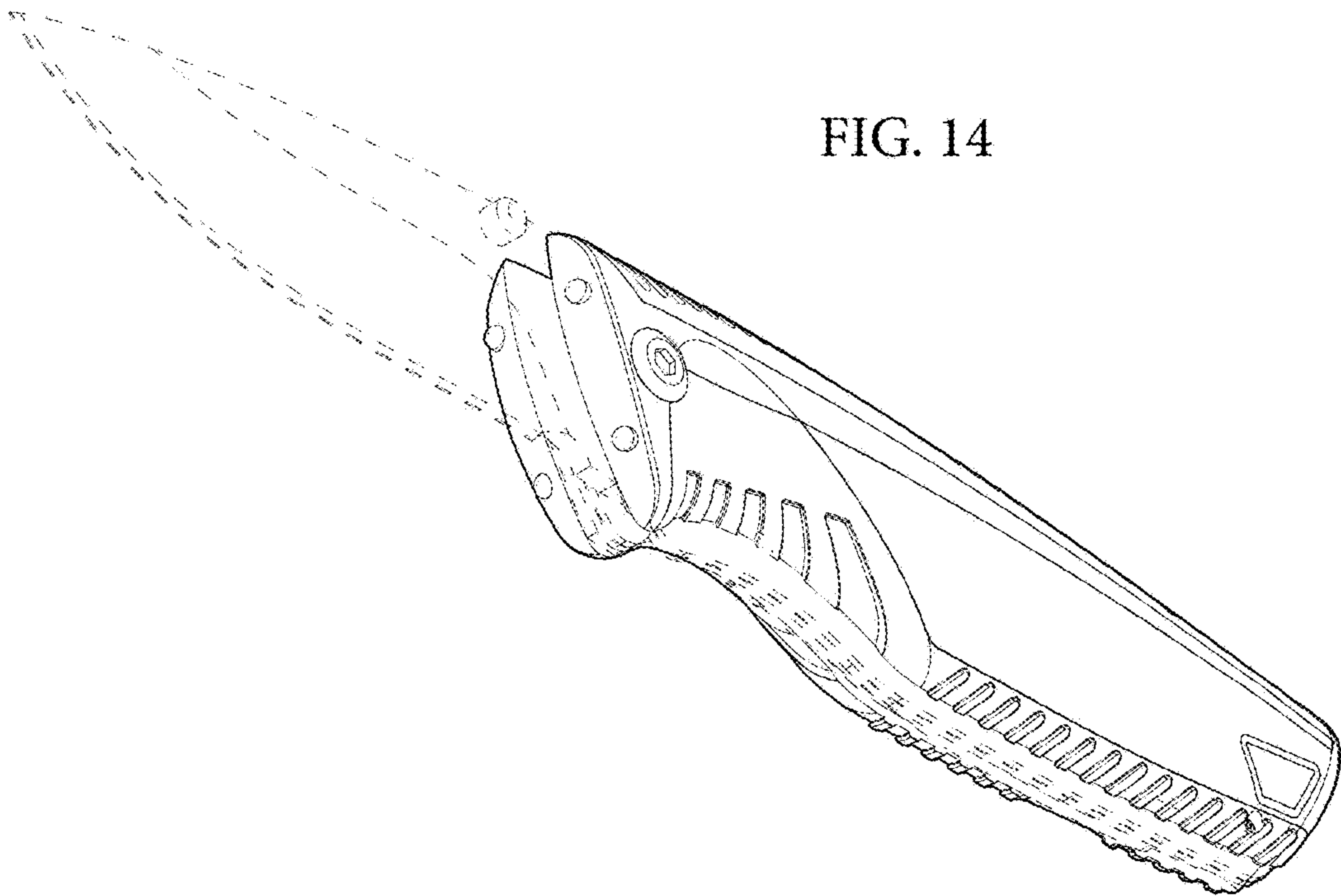


FIG. 15

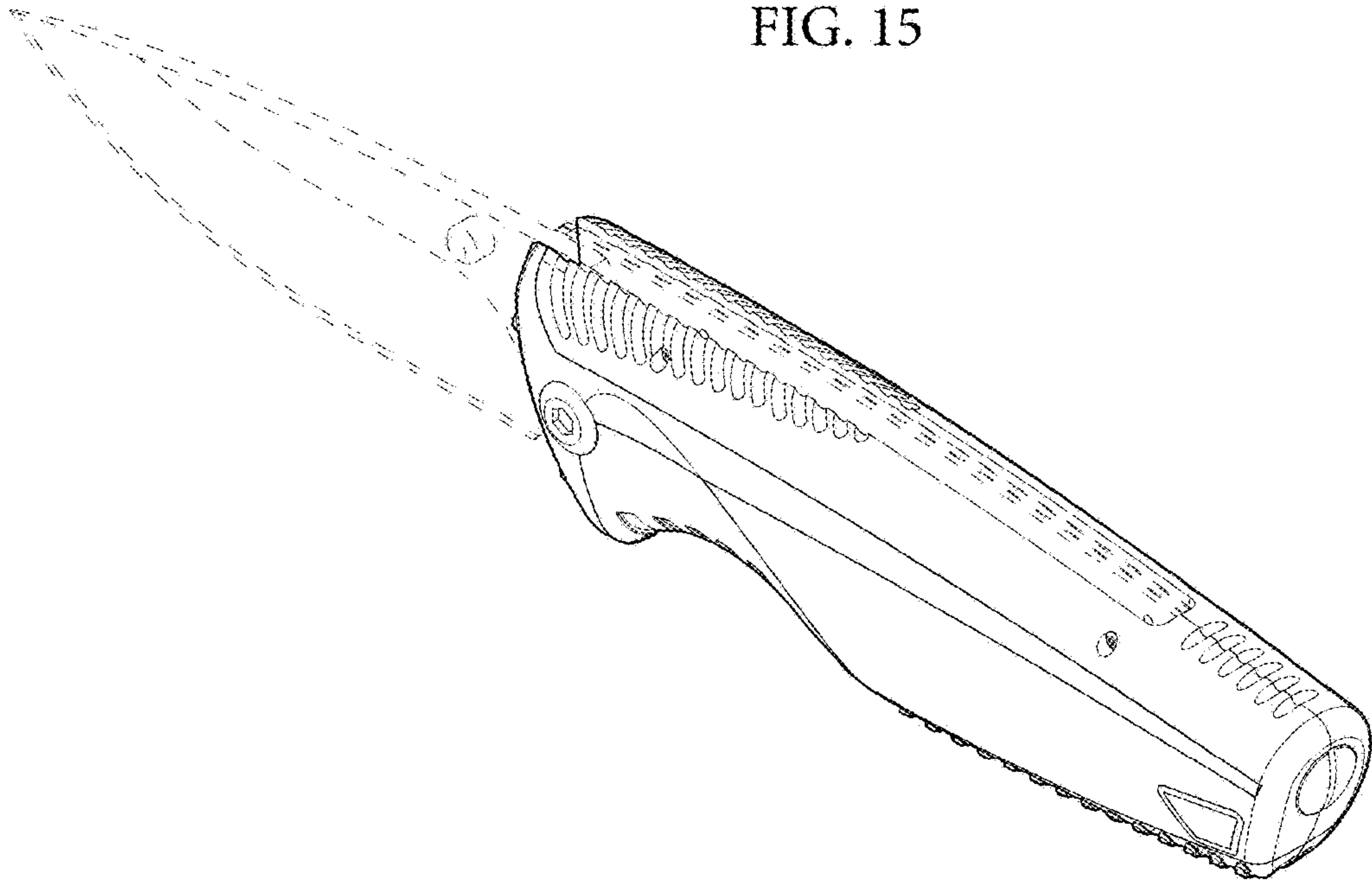


FIG. 16

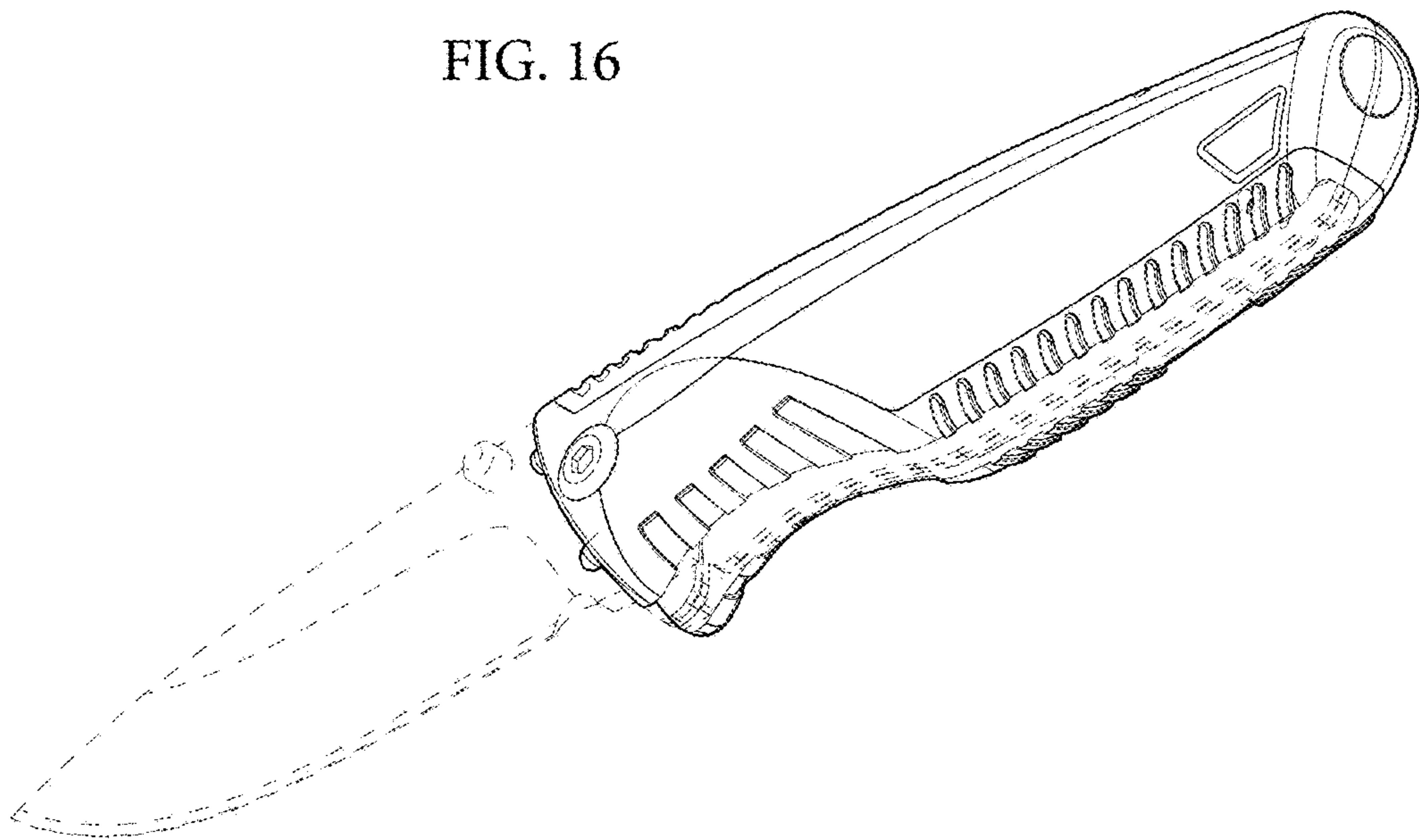


FIG. 17

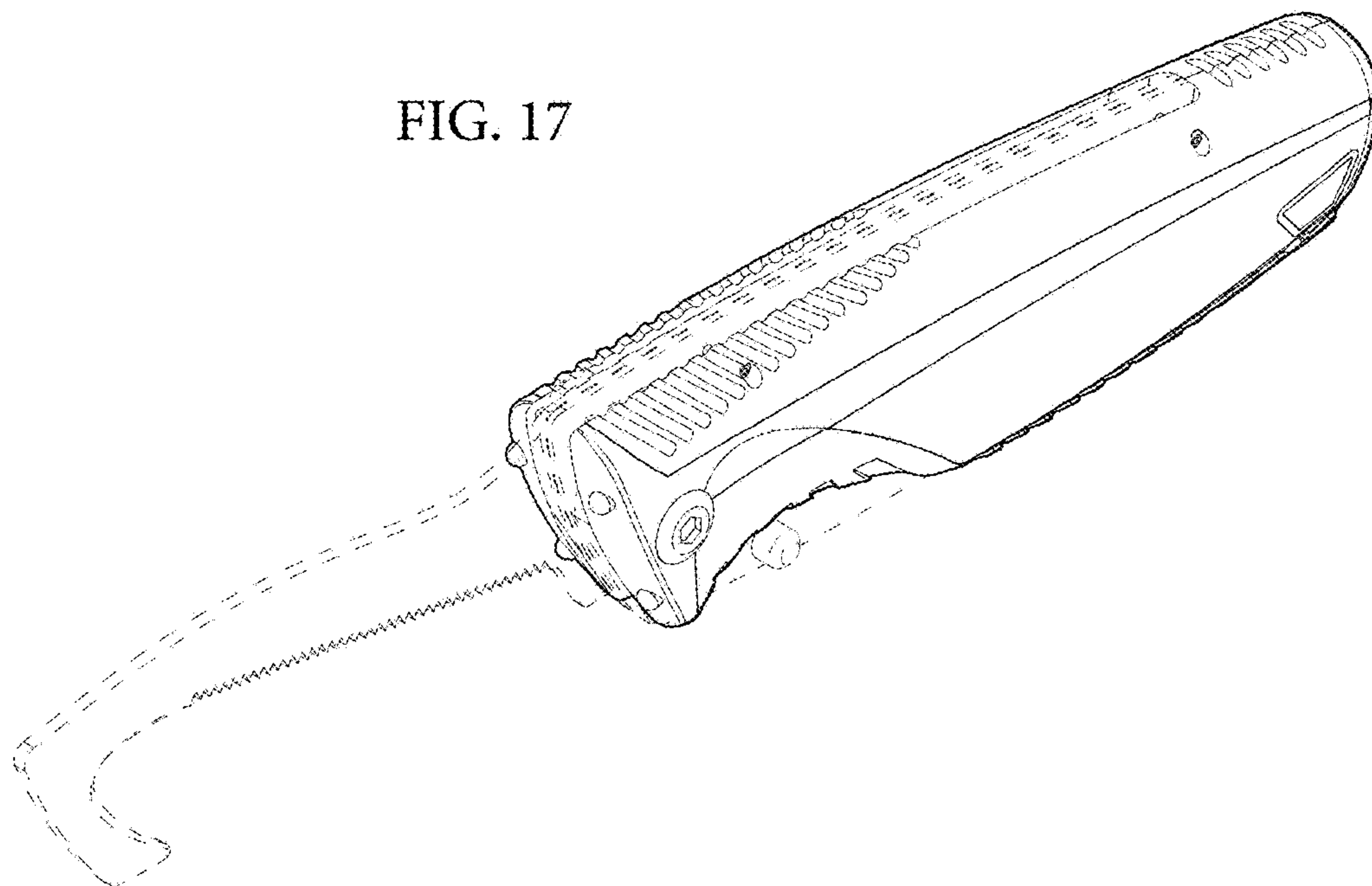
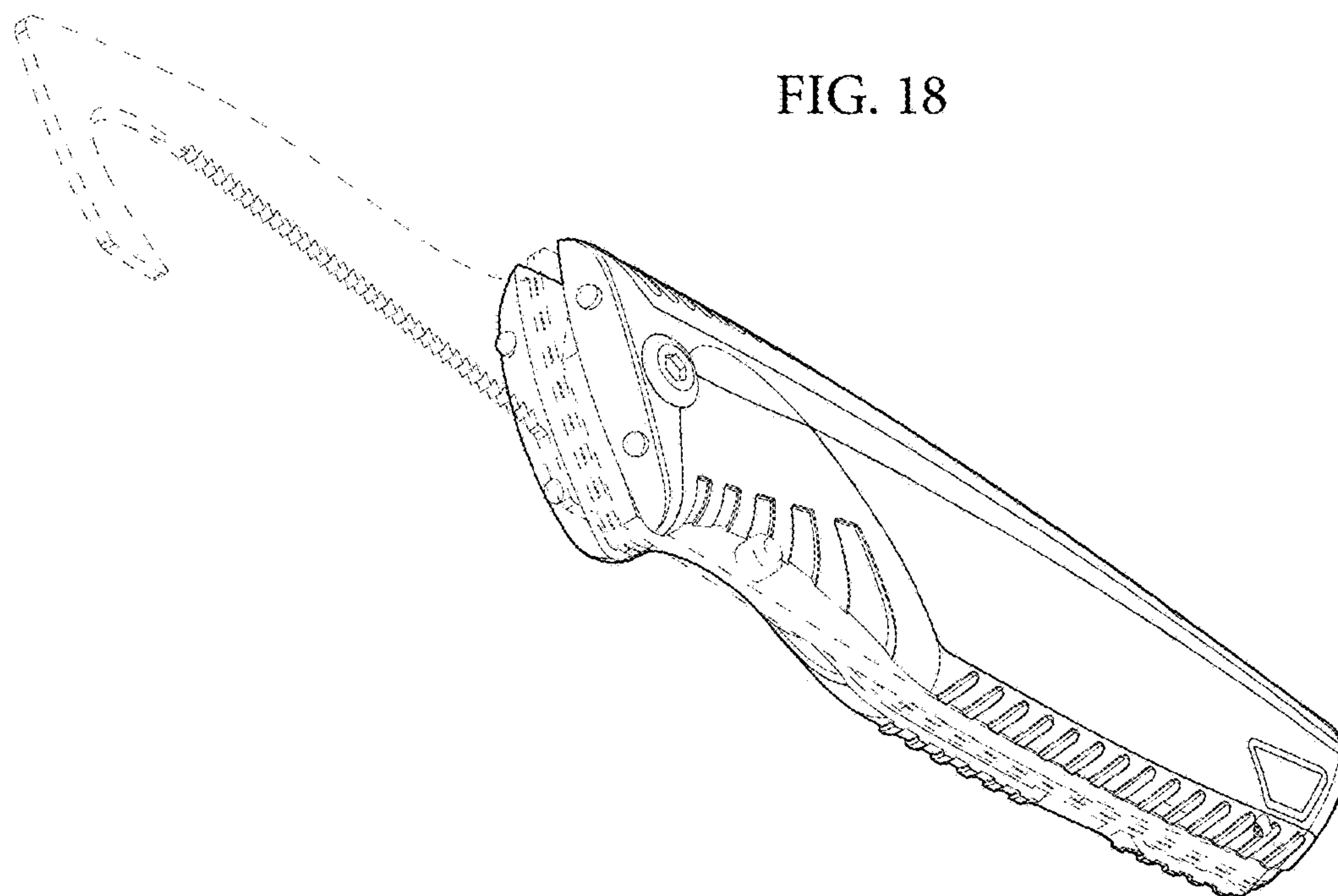


FIG. 18



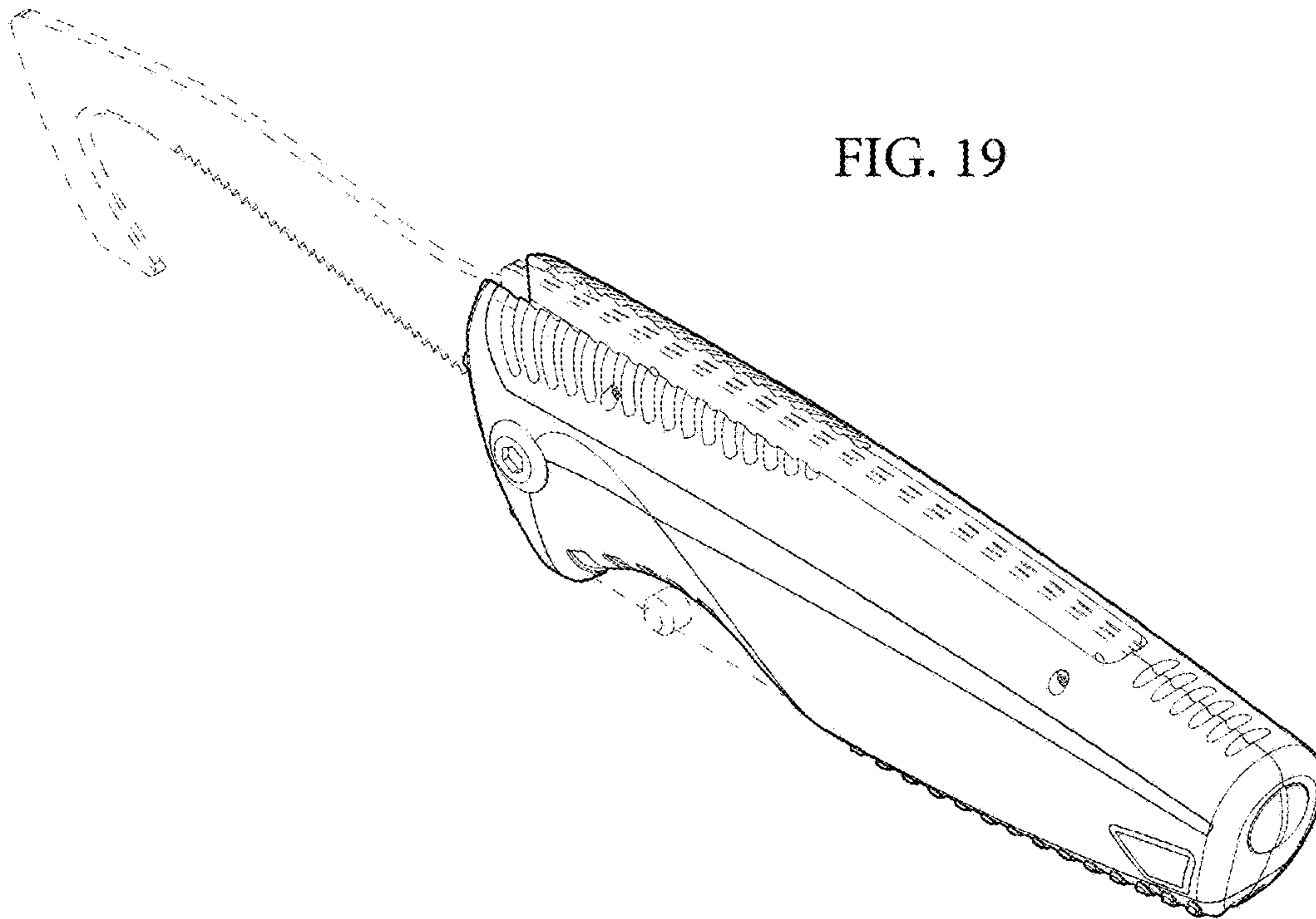


FIG. 19

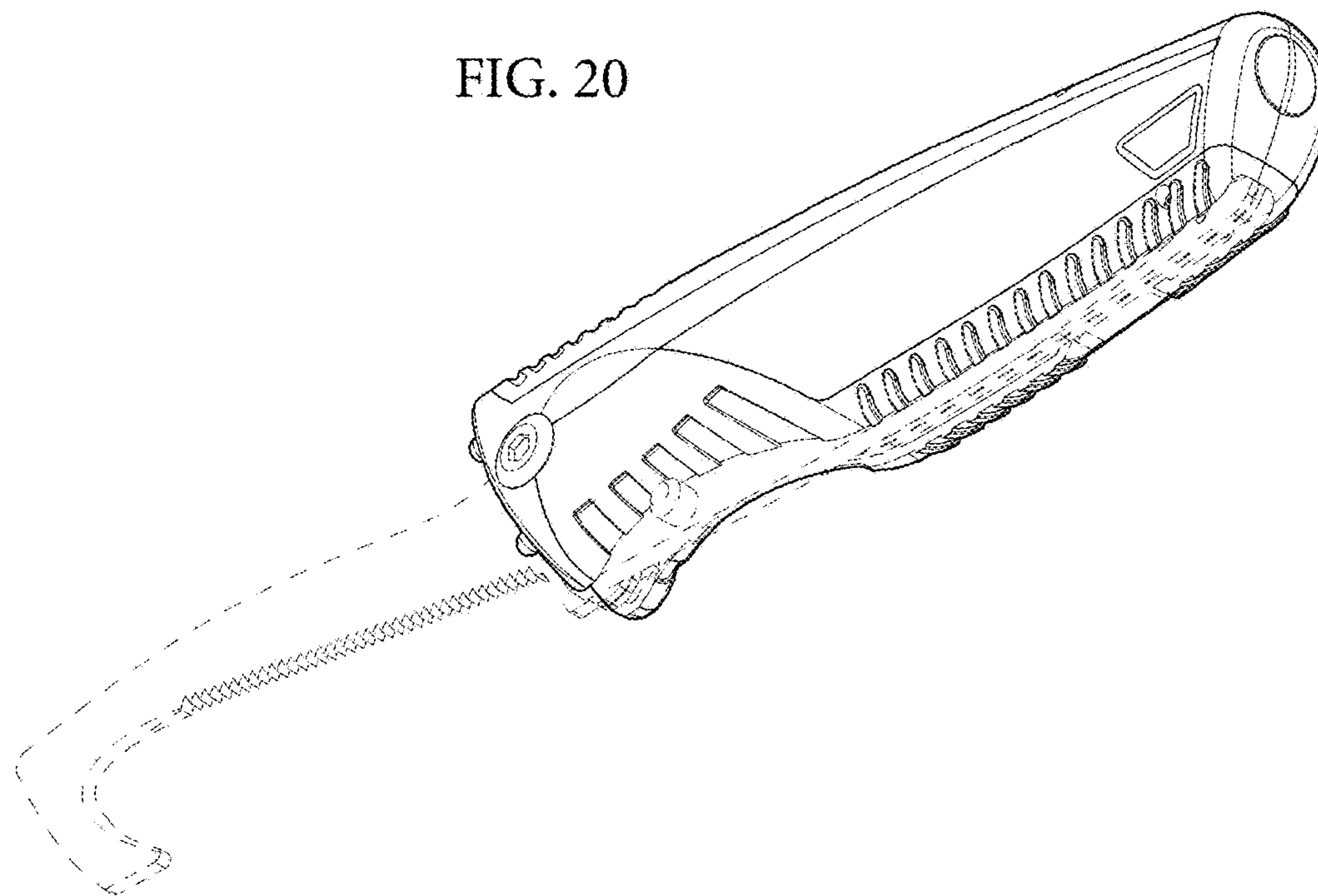


FIG. 20