



US00D803651S

(12) **United States Design Patent**
Umbrell

(10) **Patent No.:** **US D803,651 S**

(45) **Date of Patent:** **** Nov. 28, 2017**

- (54) **BUFFING PAD**
- (71) Applicant: **Buff and Shine Manufacturing, Inc.**,
Rancho Dominguez, CA (US)
- (72) Inventor: **Richard Umbrell**, Rancho Palos
Verdes, CA (US)
- (73) Assignee: **Buff and Shine Manufacturing, Inc.**,
Rancho Dominguez, CA (US)
- (**) Term: **15 Years**
- (21) Appl. No.: **29/559,303**
- (22) Filed: **Mar. 25, 2016**
- (51) **LOC (10) Cl.** **08-05**
- (52) **U.S. Cl.**
USPC **D8/70; D32/40**
- (58) **Field of Classification Search**
USPC D8/61, 62, 70, 90; D15/124–126, 138,
D15/139; D32/7, 13, 15, 19, 17, 25, 35,
D32/40, 41, 42
CPC A46B 5/00; A46B 5/0025; A46B 5/0062;
A46B 5/02; A46B 17/00; A46B 17/02;
A46B 17/06; A46B 2200/30; A46B
2200/3006; A46B 2200/3013; B24B
37/26; B24D 13/14; B24D 13/20
See application file for complete search history.

- (56) **References Cited**
U.S. PATENT DOCUMENTS
- 2,564,217 A * 8/1951 Taylor B24D 5/12
451/541
- 2,650,385 A * 9/1953 De Michel A47L 13/24
15/230.1
- 3,990,124 A * 11/1976 MacKay, Jr. B24D 13/00
15/230.12
- 4,580,308 A * 4/1986 Ashworth A47L 11/164
15/230.12

- 4,607,412 A * 8/1986 Ashworth B24D 13/145
15/230
- 4,617,767 A * 10/1986 Ali B24D 9/085
451/490
- 5,054,246 A * 10/1991 Phaal B24D 18/00
125/39
- 5,527,215 A * 6/1996 Rubino B24D 13/18
451/527
- 5,938,515 A * 8/1999 McLain B24D 3/22
451/528
- 5,944,586 A * 8/1999 Sevigny B24D 7/04
451/359
- 6,044,512 A * 4/2000 Hornby B24D 9/085
15/230
- 6,312,485 B1 * 11/2001 Kaiser B24D 3/22
451/527
- 6,595,839 B2 * 7/2003 Staver A46B 13/008
451/353
- 6,837,781 B2 * 1/2005 Hishiki B24B 37/24
156/345.12

(Continued)

Primary Examiner — Michael A. Pratt
Assistant Examiner — Michelle E Wilson
(74) *Attorney, Agent, or Firm* — Francisco A.
Rubio-Campos; Apogee Law Group P.C.

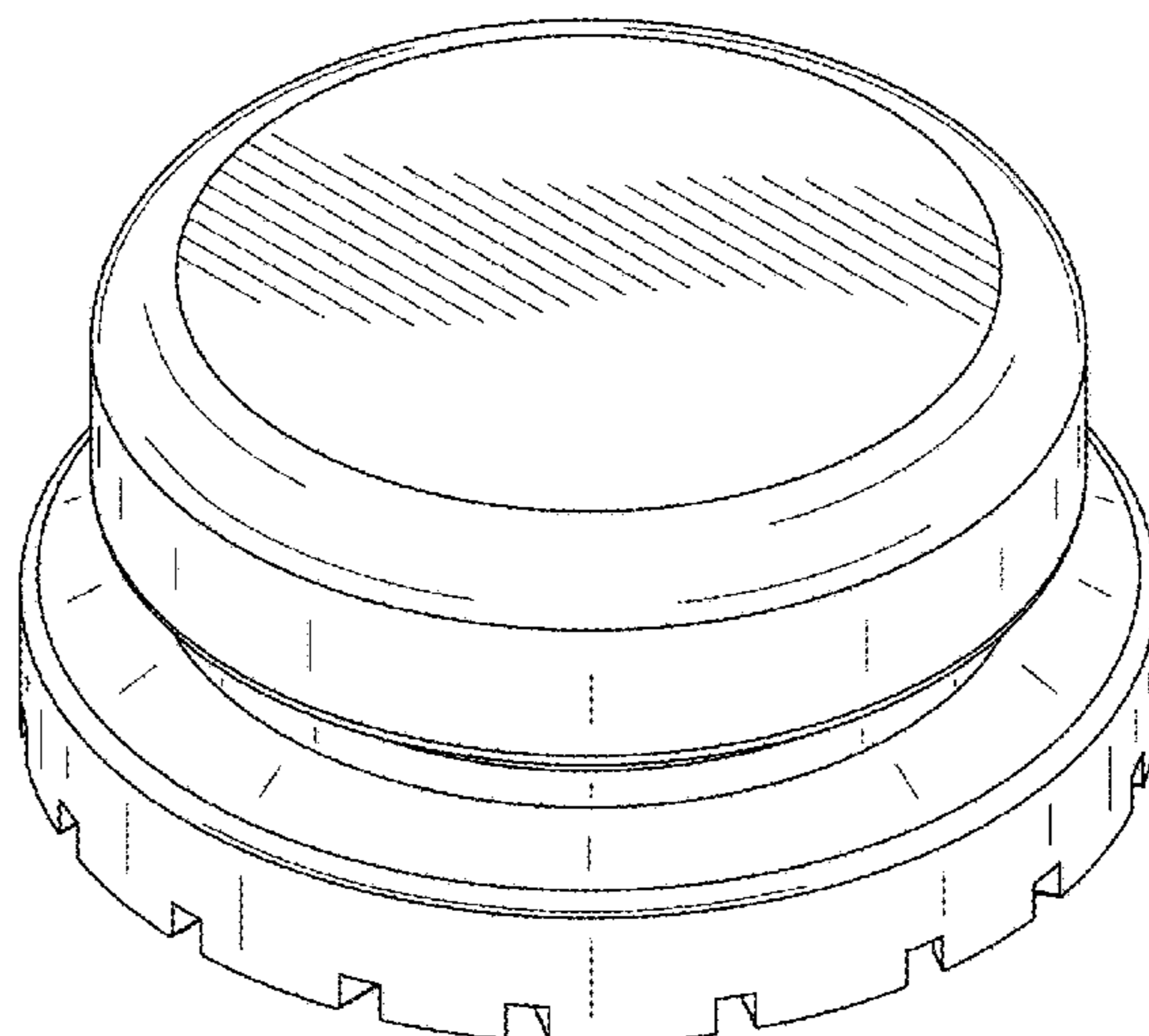
(57) **CLAIM**

I claim the ornamental design for a buffing pad, as shown and described.

DESCRIPTION

FIG. 1 is a top perspective view of a buffing pad showing my new design;
FIG. 2 is a bottom perspective view thereof;
FIG. 3 is a top plan view thereof;
FIG. 4 is a bottom plan view thereof;
FIG. 5 is a left/right front elevation view thereof, as these views are mirror images of each other; and,
FIG. 6 is a front/rear elevation view thereof, as these views are mirror images of each other.

1 Claim, 3 Drawing Sheets



(56)

References Cited

U.S. PATENT DOCUMENTS

6,895,631 B1 * 5/2005 Krause A47L 11/4038
 15/230
 D510,850 S * 10/2005 Boler, Jr. D8/70
 D553,932 S * 10/2007 Boler, Jr. D8/70
 D554,813 S * 11/2007 Boler, Jr. D32/25
 D580,728 S * 11/2008 Umbrell D8/70
 D581,236 S * 11/2008 Umbrell D8/70
 D591,133 S * 4/2009 Umbrell D8/70
 D669,647 S * 10/2012 Arnold D32/25
 D684,611 S * 6/2013 Umbrell D15/126
 D684,739 S * 6/2013 Arnold D32/25
 D742,196 S * 11/2015 Dow D8/90
 D759,923 S * 6/2016 Brown D32/40
 D785,339 S * 5/2017 Brown D32/25
 2002/0092111 A1 * 7/2002 Krause B24B 23/022
 15/230
 2006/0107482 A1 * 5/2006 Krause B08B 1/04
 15/230
 2007/0254567 A1 * 11/2007 McLain B24D 3/26
 451/490
 2010/0144253 A1 * 6/2010 Umbrell B24D 13/14
 451/360
 2012/0064809 A1 * 3/2012 Krause B24D 13/20
 451/526
 2017/0014974 A1 * 1/2017 Luna B24D 13/145

* cited by examiner

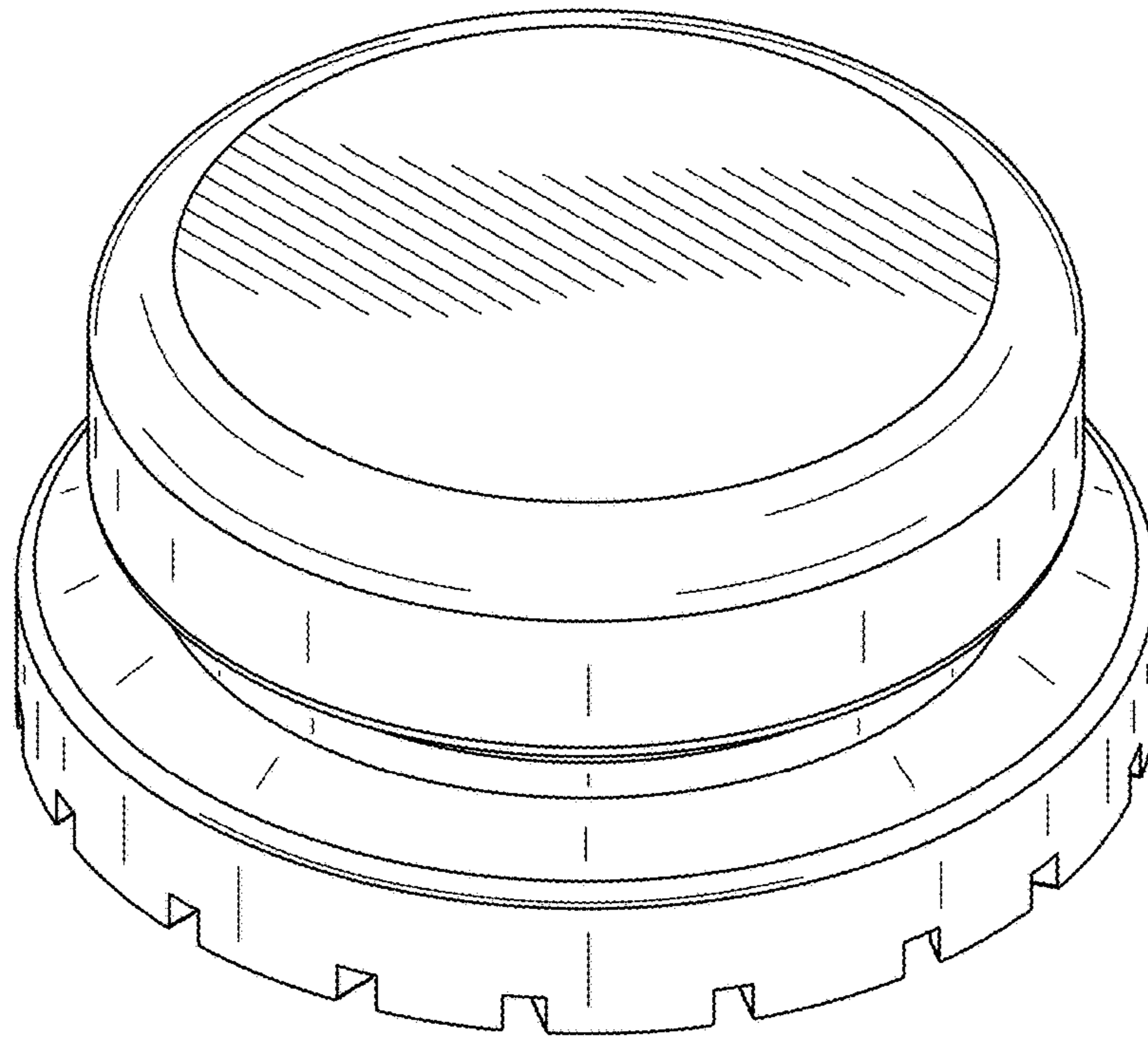


FIG. 1

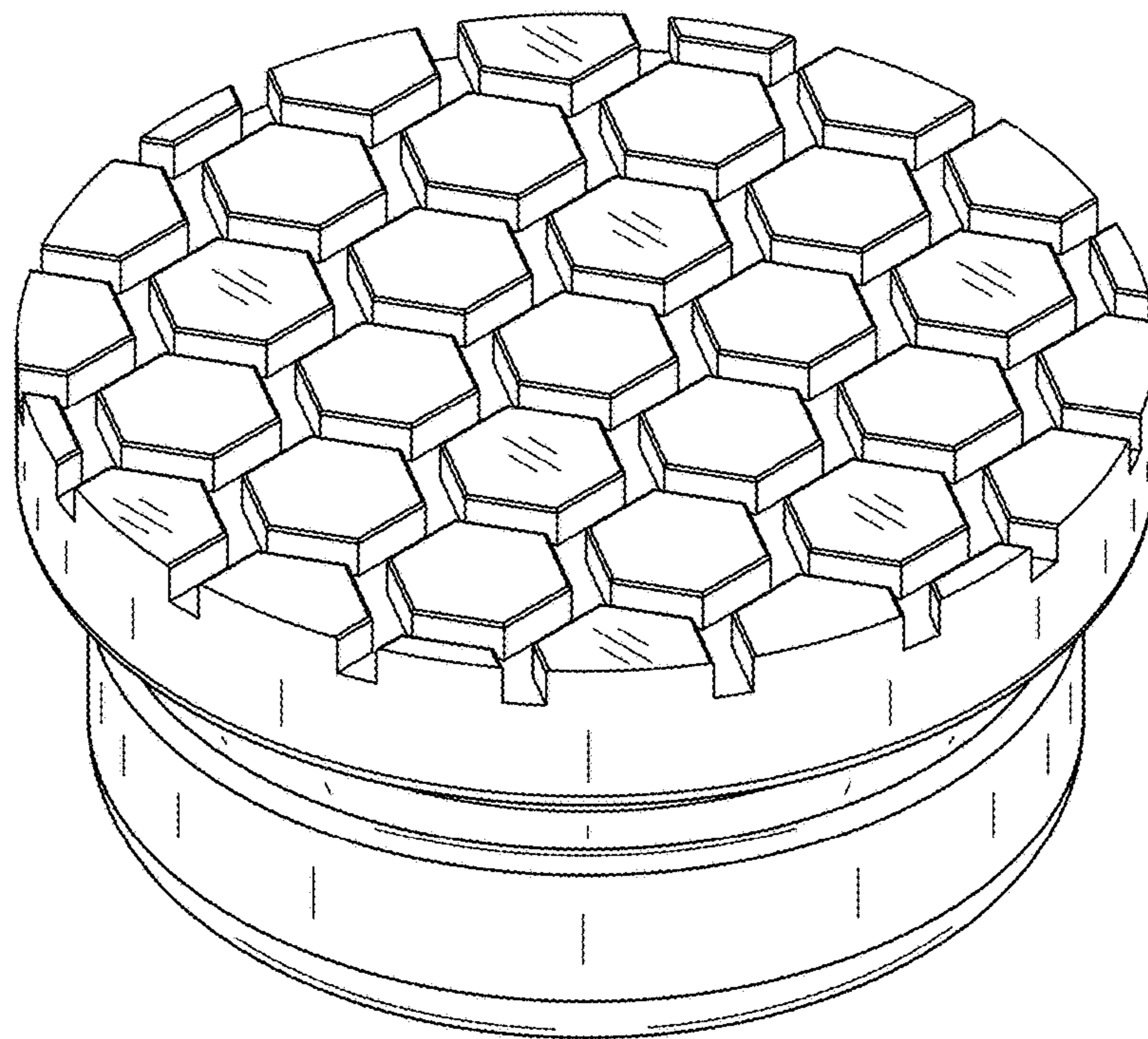


FIG. 2

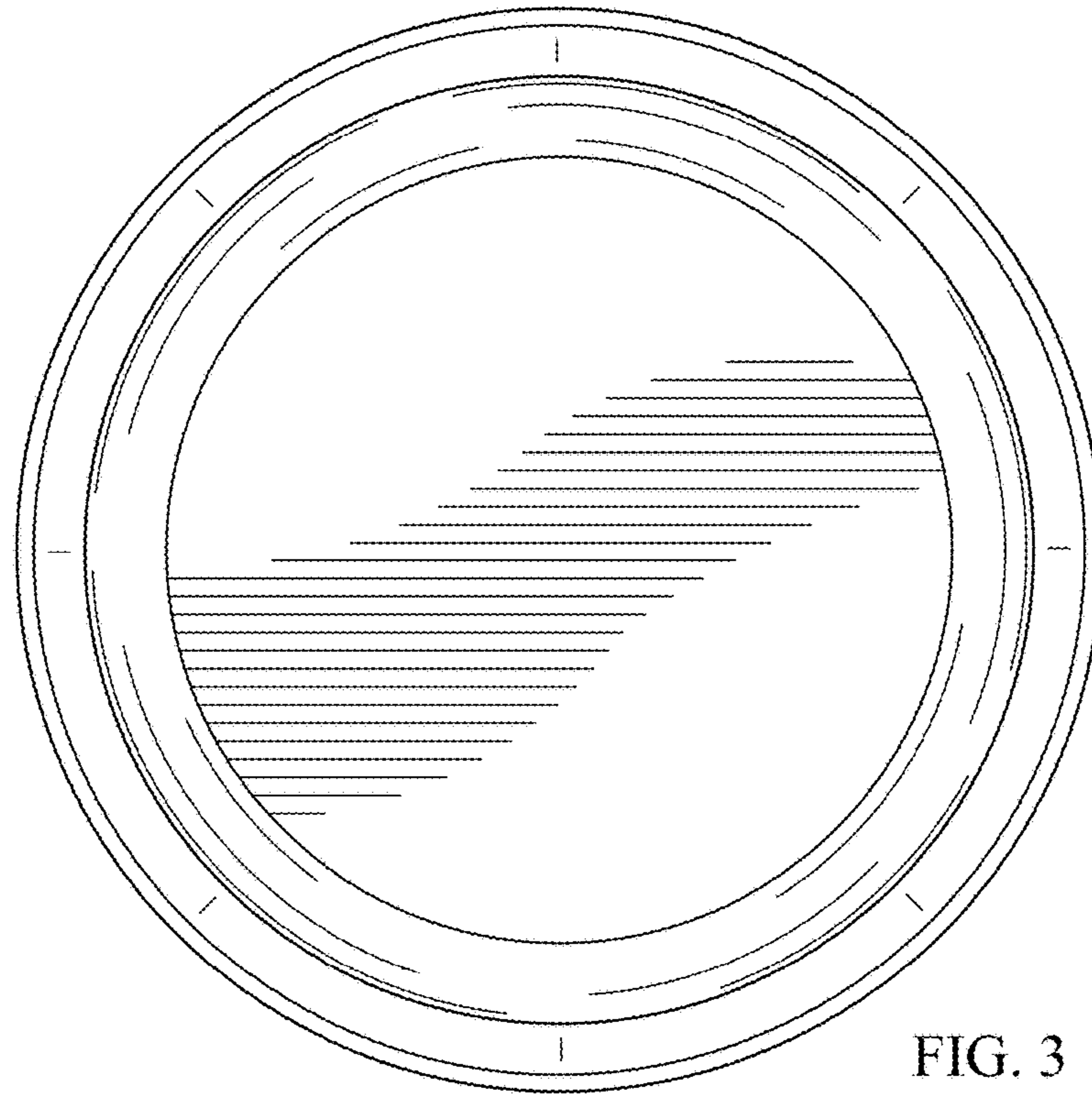


FIG. 3

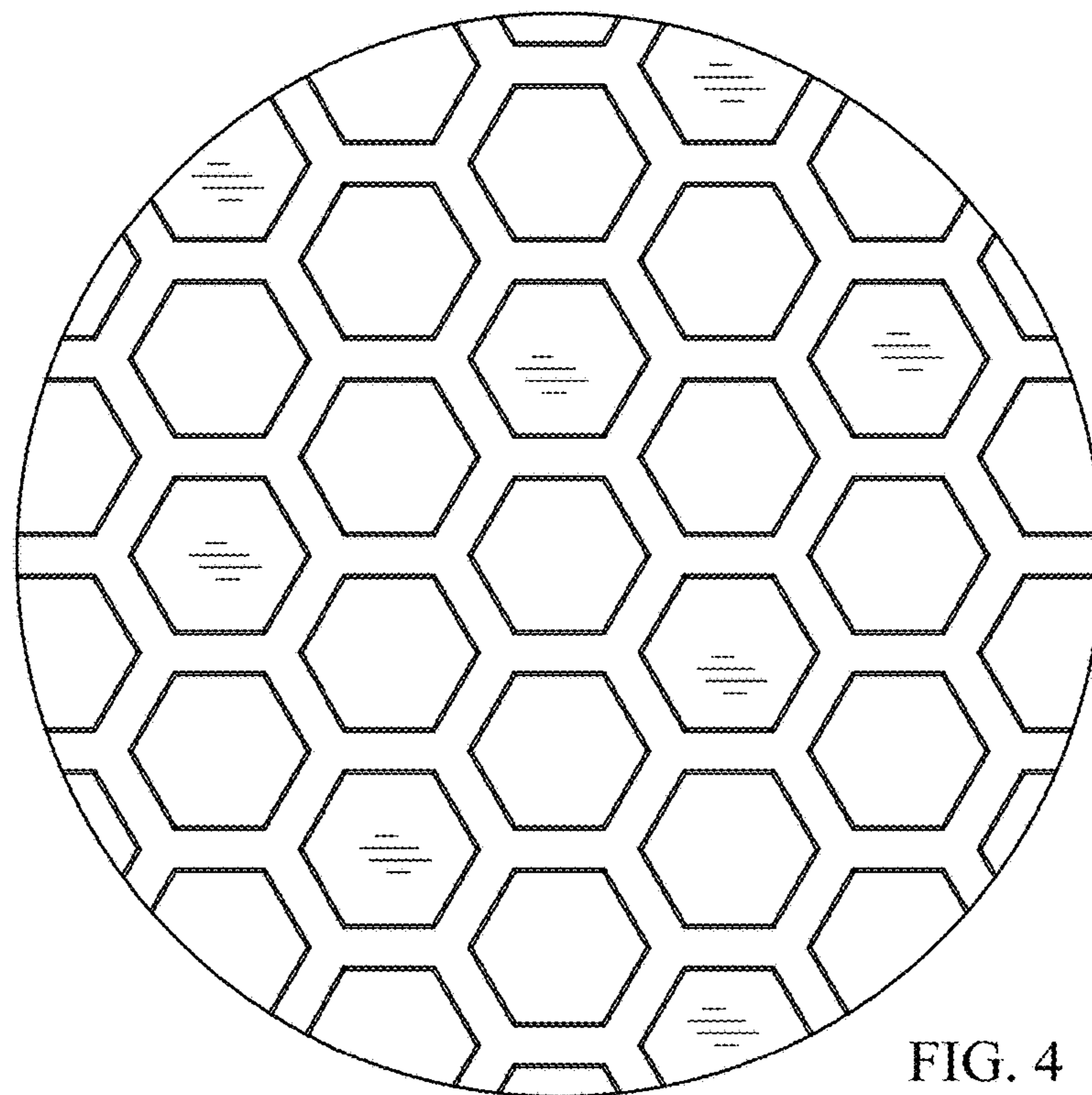


FIG. 4

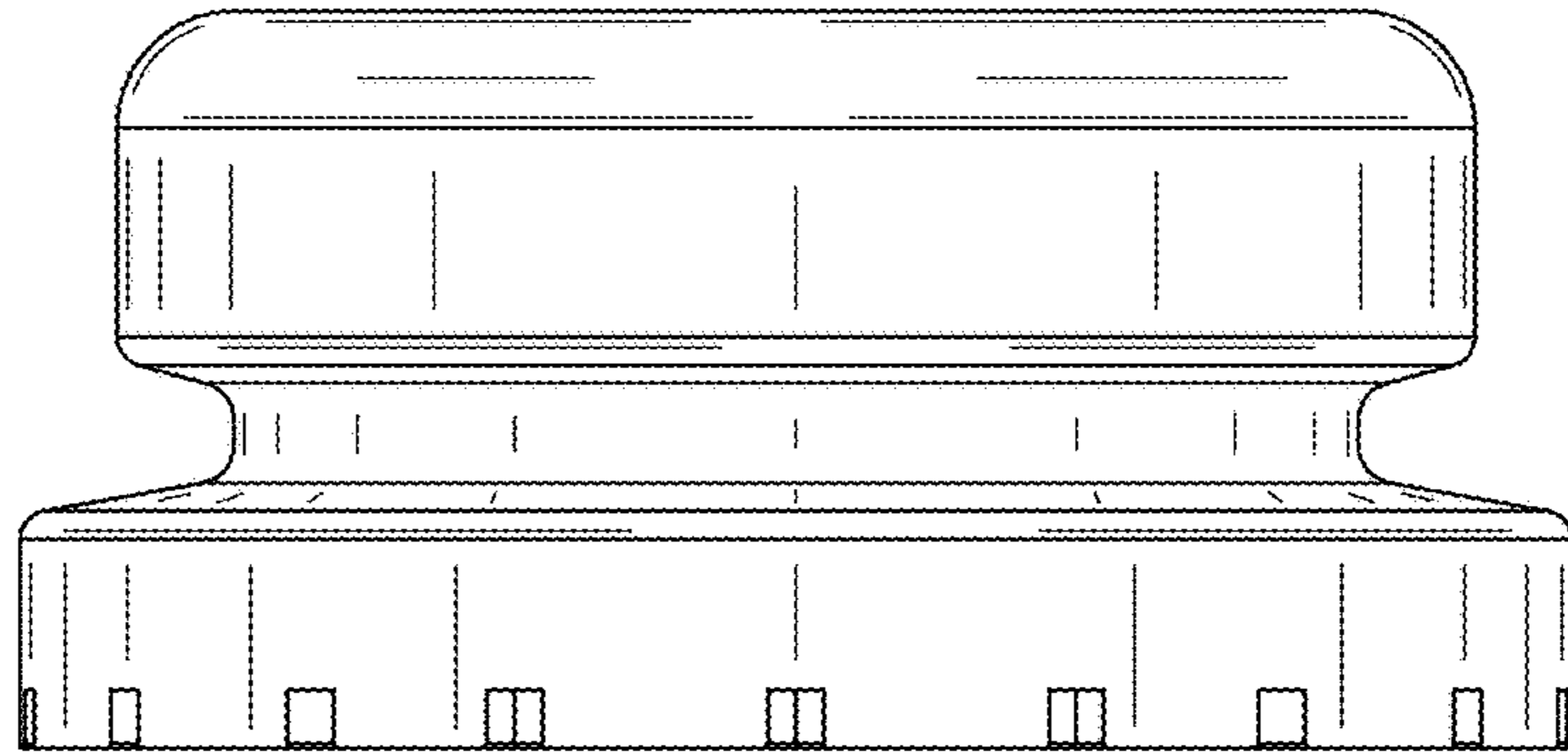


FIG. 5

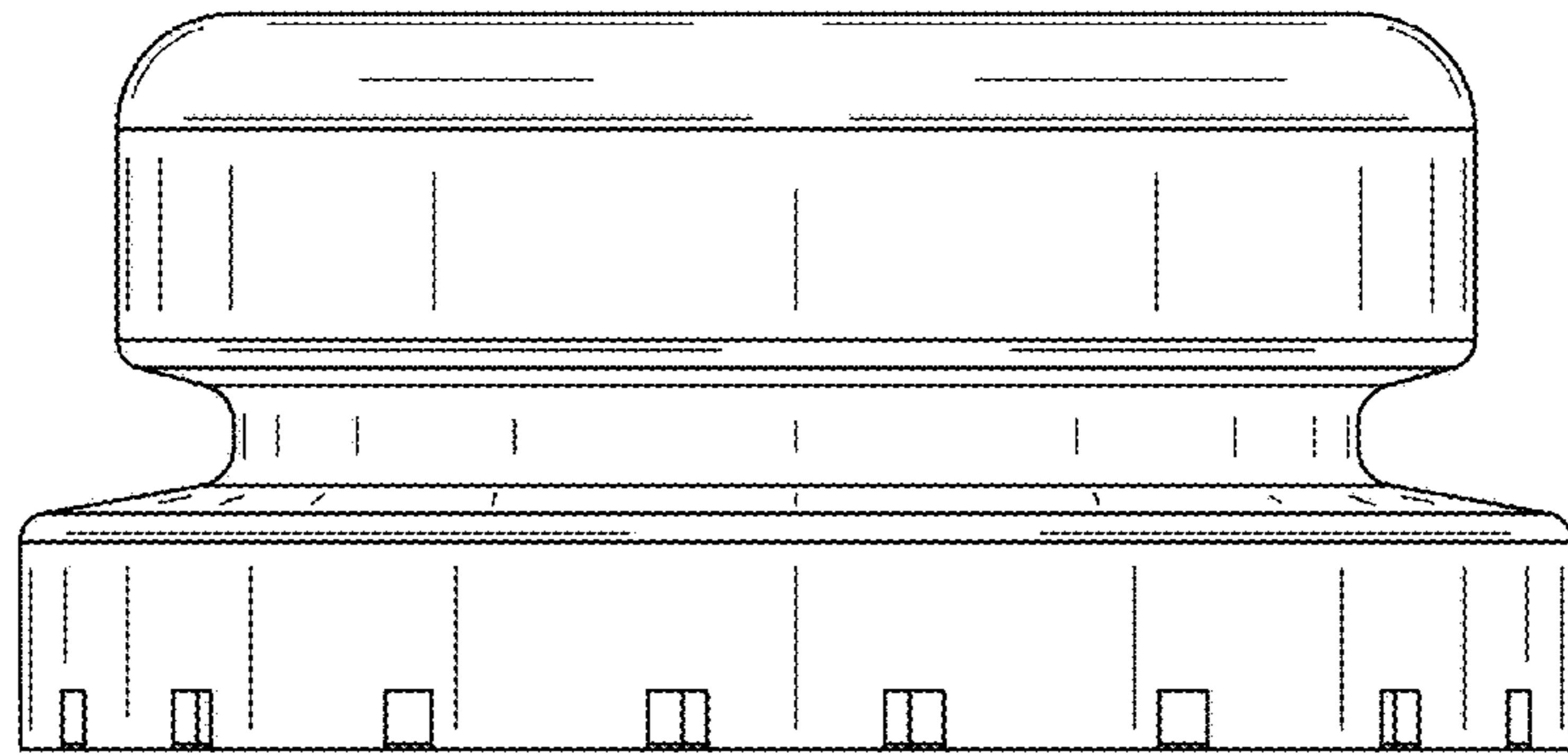


FIG. 6