



US00D803646S

(12) **United States Design Patent** (10) **Patent No.:** **US D803,646 S**
Bodum (45) **Date of Patent:** **** Nov. 28, 2017**

(54) **FOIL CUTTER**
(71) Applicant: **PI-Design AG**, Triengen (CH)
(72) Inventor: **Jorgen Bodum**, Meggen (CH)
(73) Assignee: **PI-Design AG**, Triengen (CH)
(**) Term: **15 Years**

D673,006 S * 12/2012 Kent D7/372
8,726,521 B2 * 5/2014 Hauser B26D 3/26
30/114
D710,196 S * 8/2014 Ivosevic D9/445
D723,878 S * 3/2015 Smith D7/372
D724,394 S * 3/2015 Smith D7/372
D753,488 S * 4/2016 Escobar D9/445
D755,045 S * 5/2016 Kuo D9/445
D763,685 S * 8/2016 Arriaga D9/436
D784,131 S * 4/2017 Jacobs D9/436
2017/0043990 A1 * 2/2017 Bargetto B67B 7/34

(21) Appl. No.: **29/576,719**

(22) Filed: **Sep. 6, 2016**

(30) **Foreign Application Priority Data**

Mar. 7, 2016 (WO) DM/091823

(51) **LOC (10) Cl.** **07-99**

(52) **U.S. Cl.**
USPC **D8/41**

(58) **Field of Classification Search**
USPC D7/371, 372, 376, 381, 393, 649, 650,
D7/665, 666, 668, 669, 673, 678-680,
D7/682, 688, 692-696; D8/41; D9/435,
D9/436, 445, 454

CPC B25F 1/00
See application file for complete search history.

(56) **References Cited**

U.S. PATENT DOCUMENTS

D337,054 S * 7/1993 Chong D9/448
D379,907 S * 6/1997 Israeli D7/673
D397,922 S * 9/1998 Gort-Barten D8/33
5,878,497 A * 3/1999 Seemann, III B67B 7/0441
30/1.5
D451,021 S * 11/2001 Berge D9/445
D477,754 S * 7/2003 Holcomb D7/693
D547,657 S * 7/2007 Tacchella D9/454
D605,011 S * 12/2009 Jalet D8/41
8,046,921 B2 * 11/2011 Mastroianni A47J 25/00
30/113.2
D660,694 S * 5/2012 Mongeon D9/445

OTHER PUBLICATIONS

Busy Boo. Wine Foilcutter by Jakob Wagner. Nov. 22, 2009 [earliest online date], [site visited Jun. 29, 2017]. Available from Internet, <URL:https://www.busyboo.com/2009/11/22/wine-foilcutter-wagner/>.*

* cited by examiner

Primary Examiner — Robert M Spear
Assistant Examiner — Darcey E Heflin
(74) *Attorney, Agent, or Firm* — McDonnell Boehnen Hulbert & Berghoff LLP

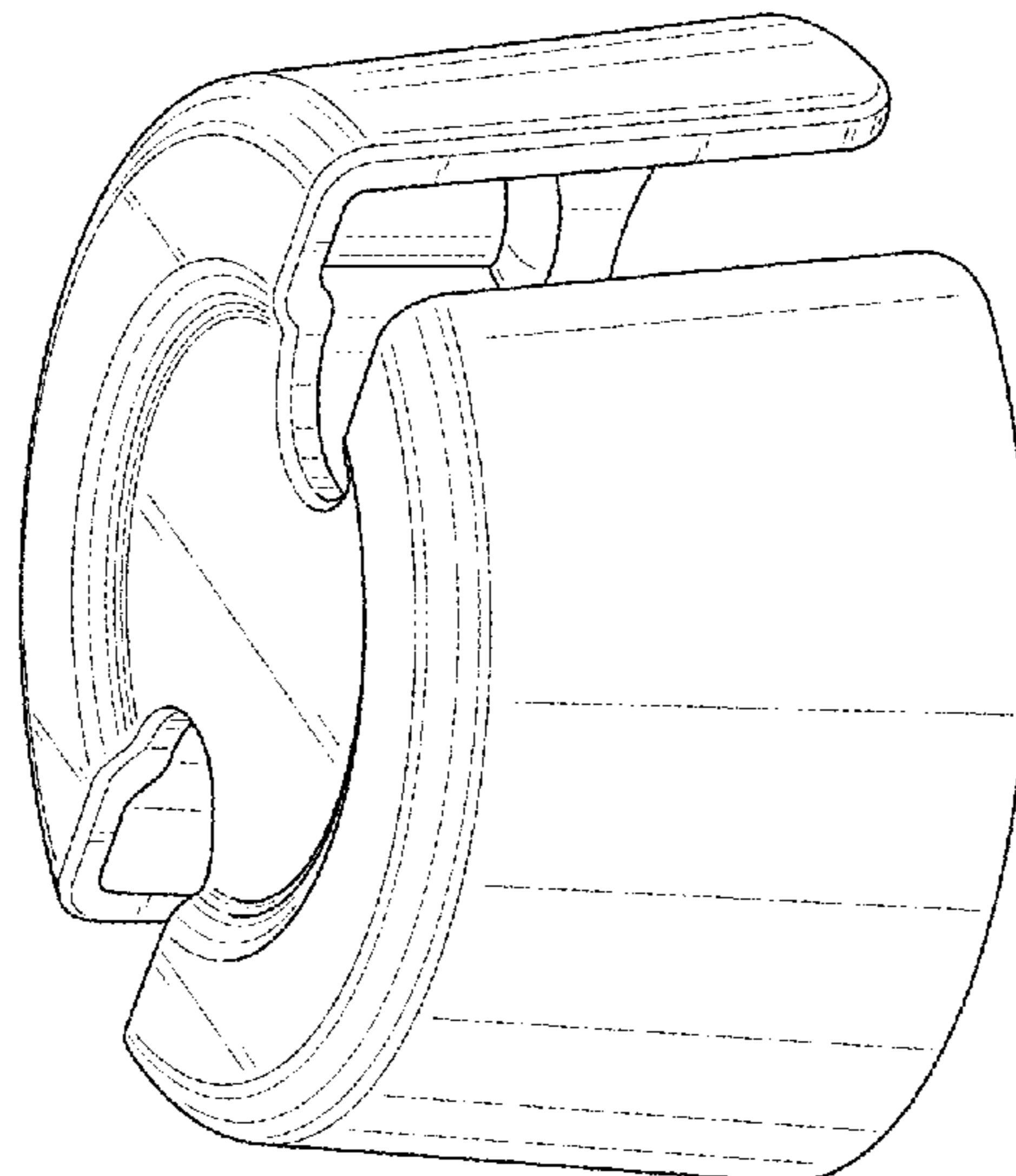
(57) **CLAIM**

The ornamental design for a foil cutter, as shown and described.

DESCRIPTION

FIG. 1 is a foil cutter in a perspective view;
FIG. 2 is a front view thereof;
FIG. 3 is a rear view thereof;
FIG. 4 is a left side view thereof;
FIG. 5 is a right side view thereof;
FIG. 6 is a top view thereof; and,
FIG. 7 is a bottom view thereof.

1 Claim, 7 Drawing Sheets



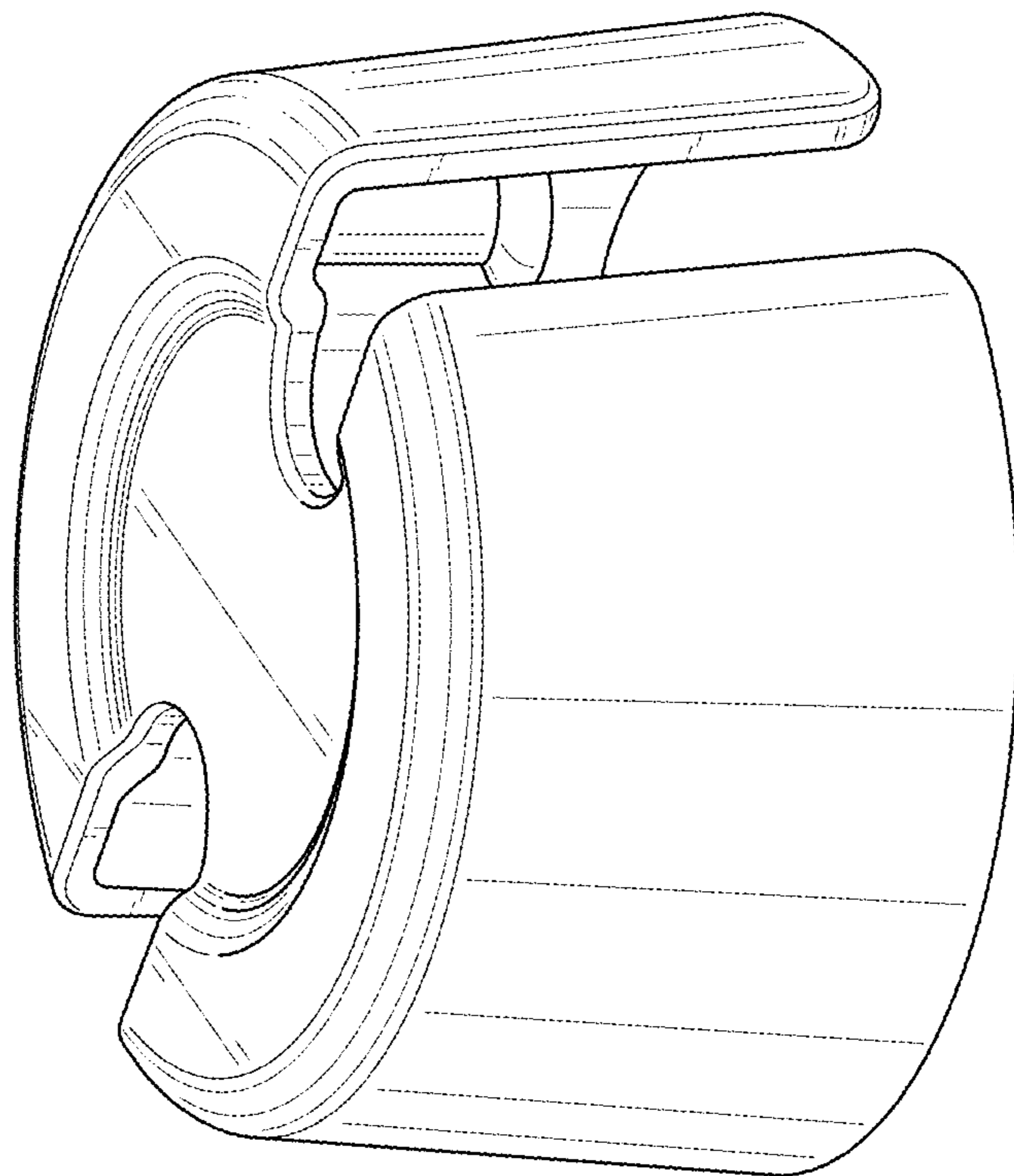


FIG. 1

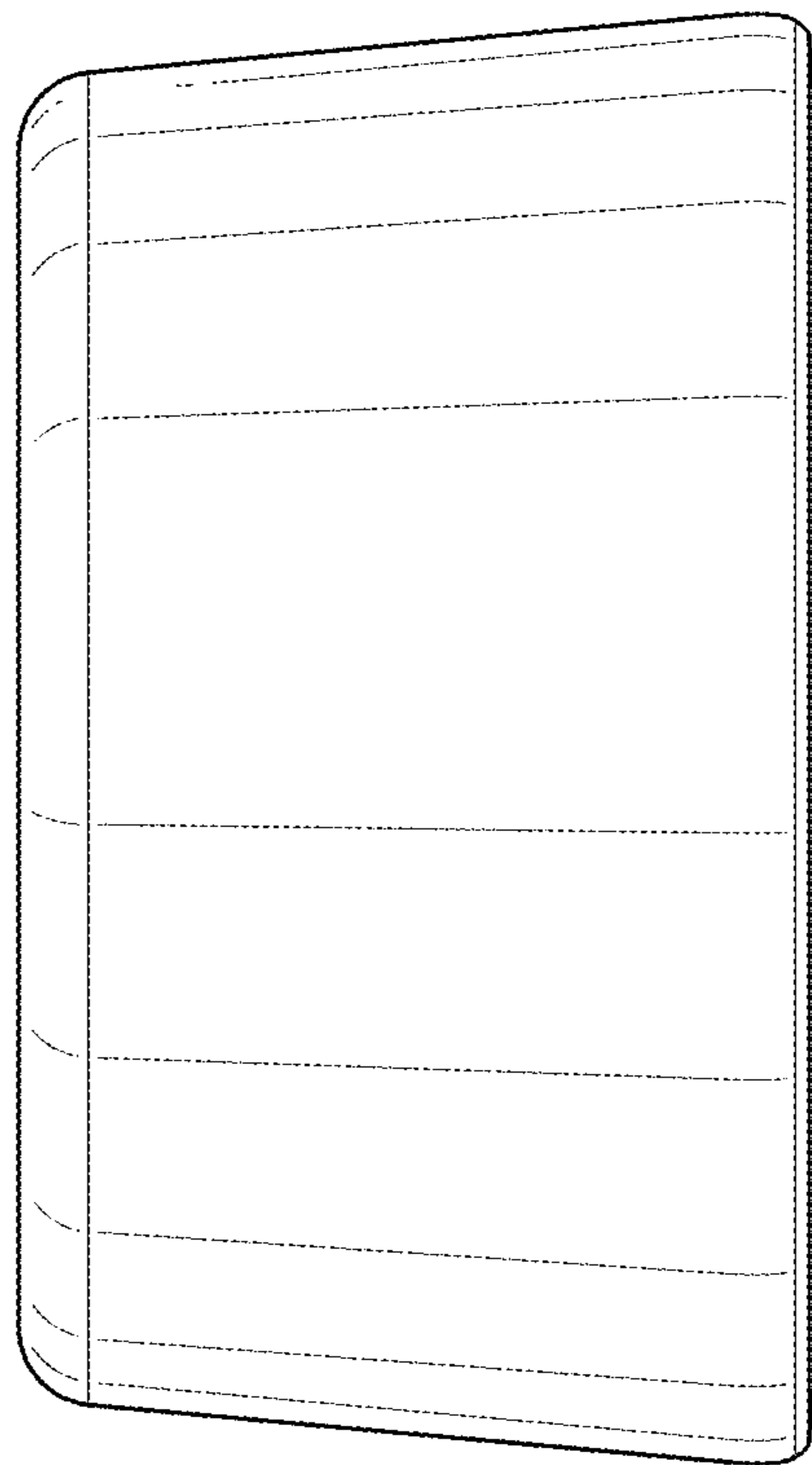


FIG. 2

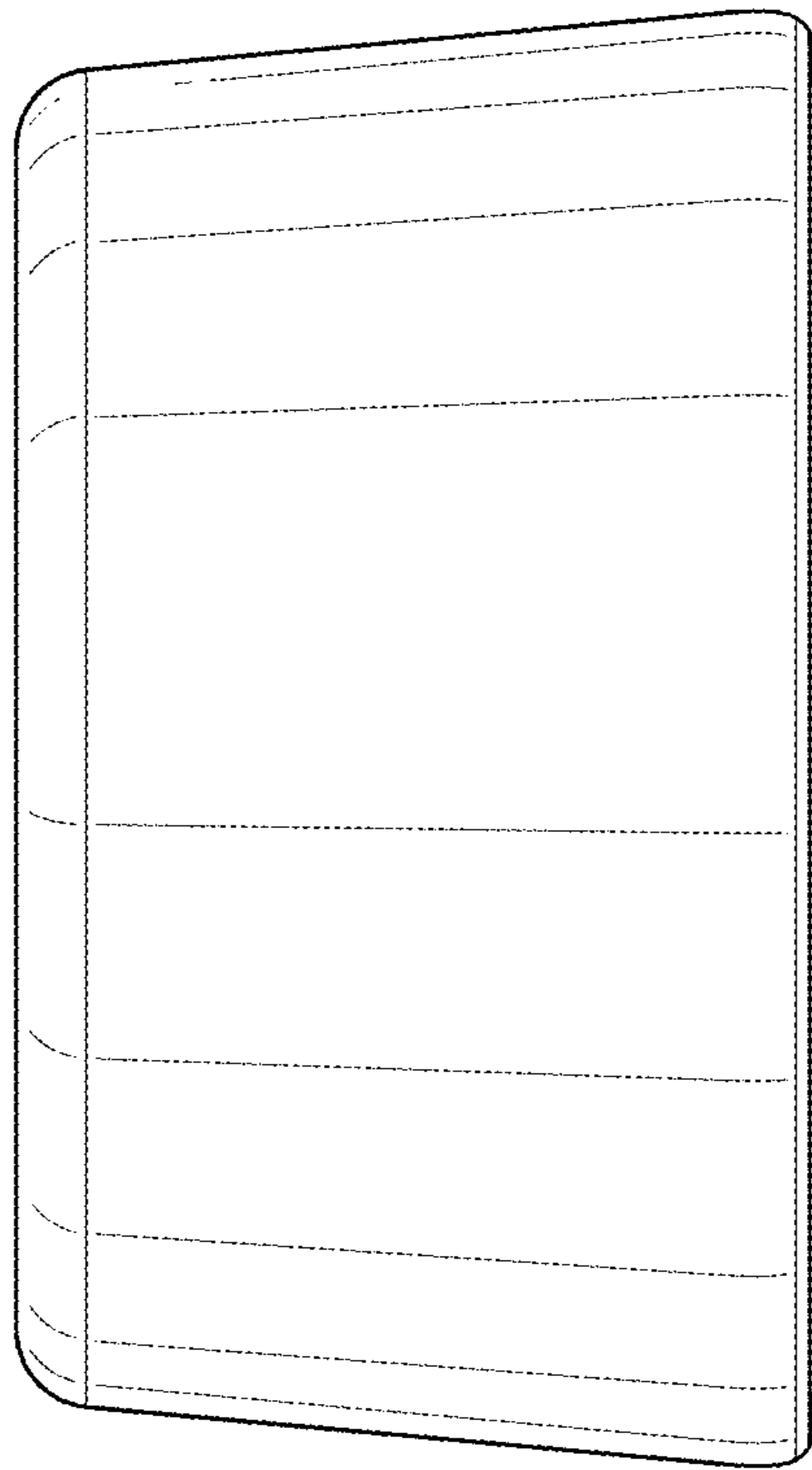


FIG. 3

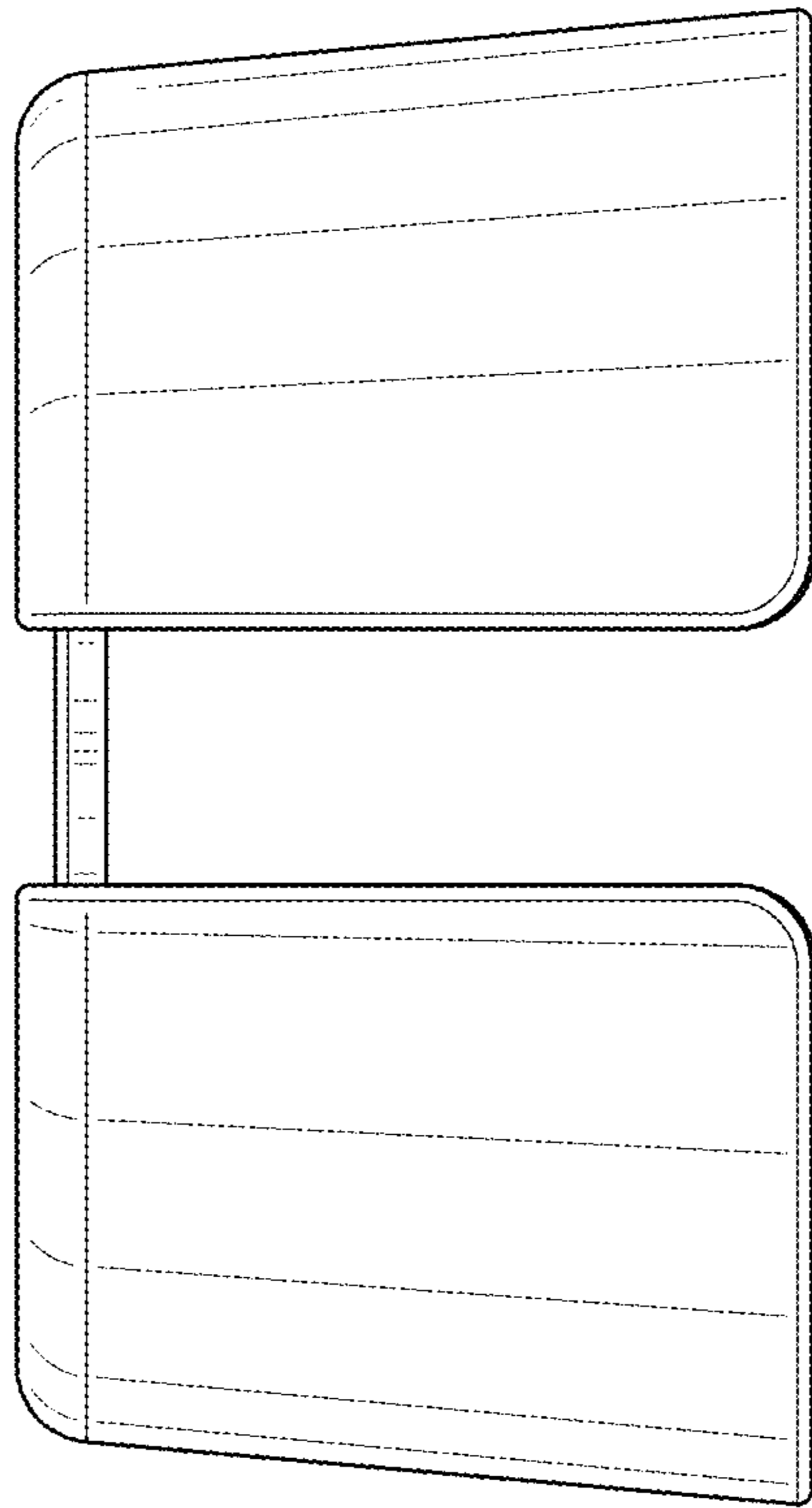


FIG. 4

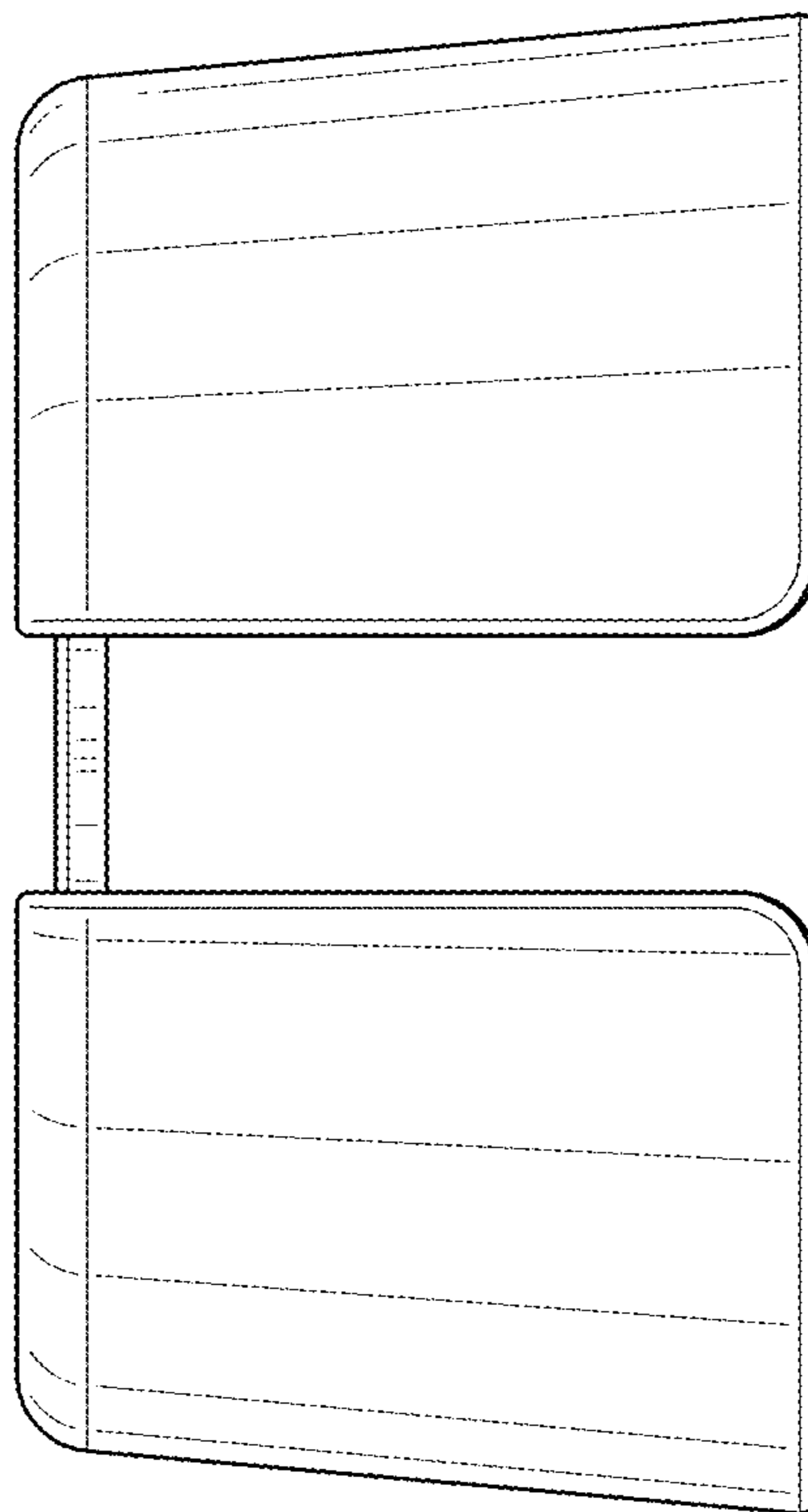


FIG. 5

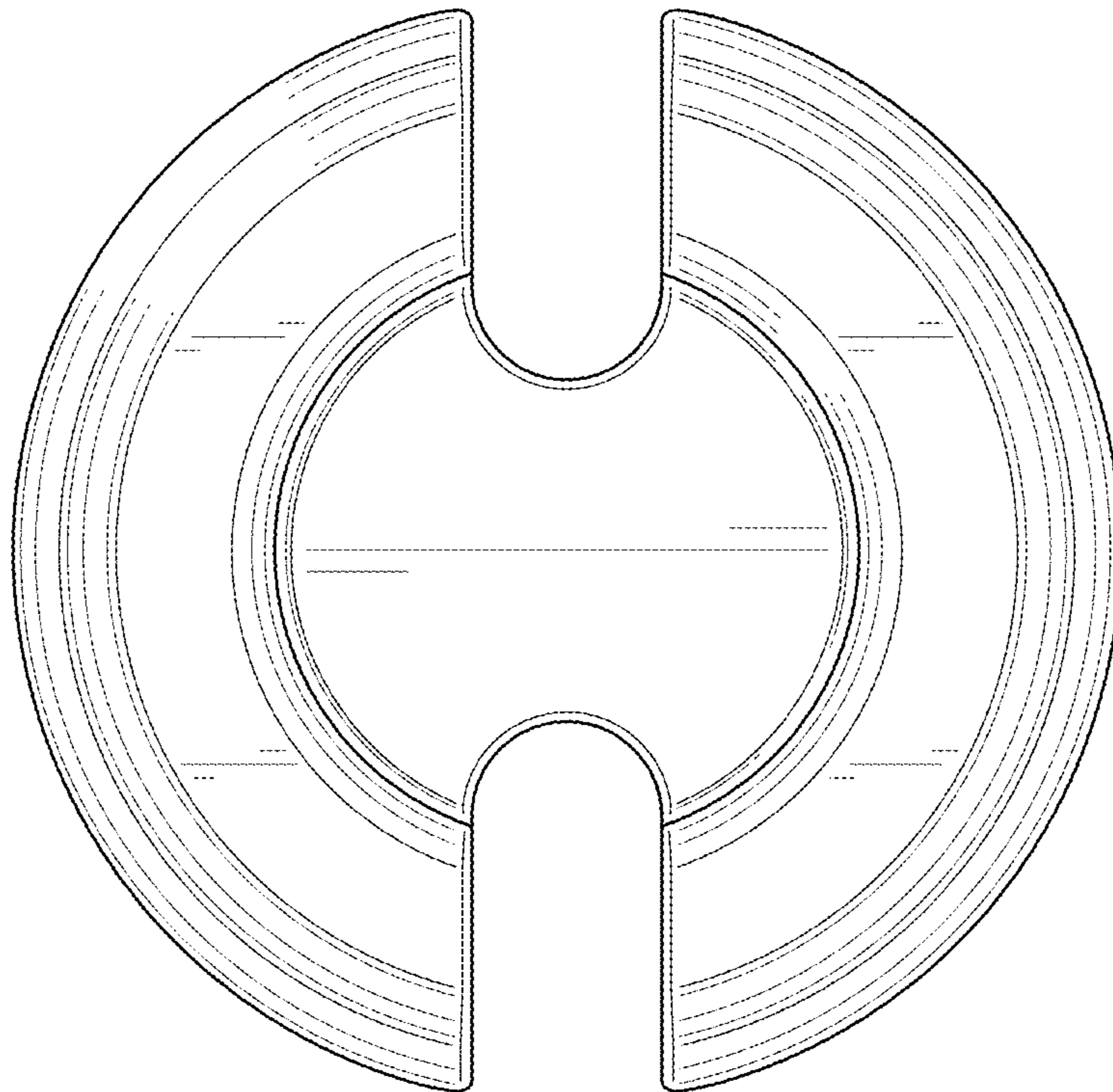


FIG. 6

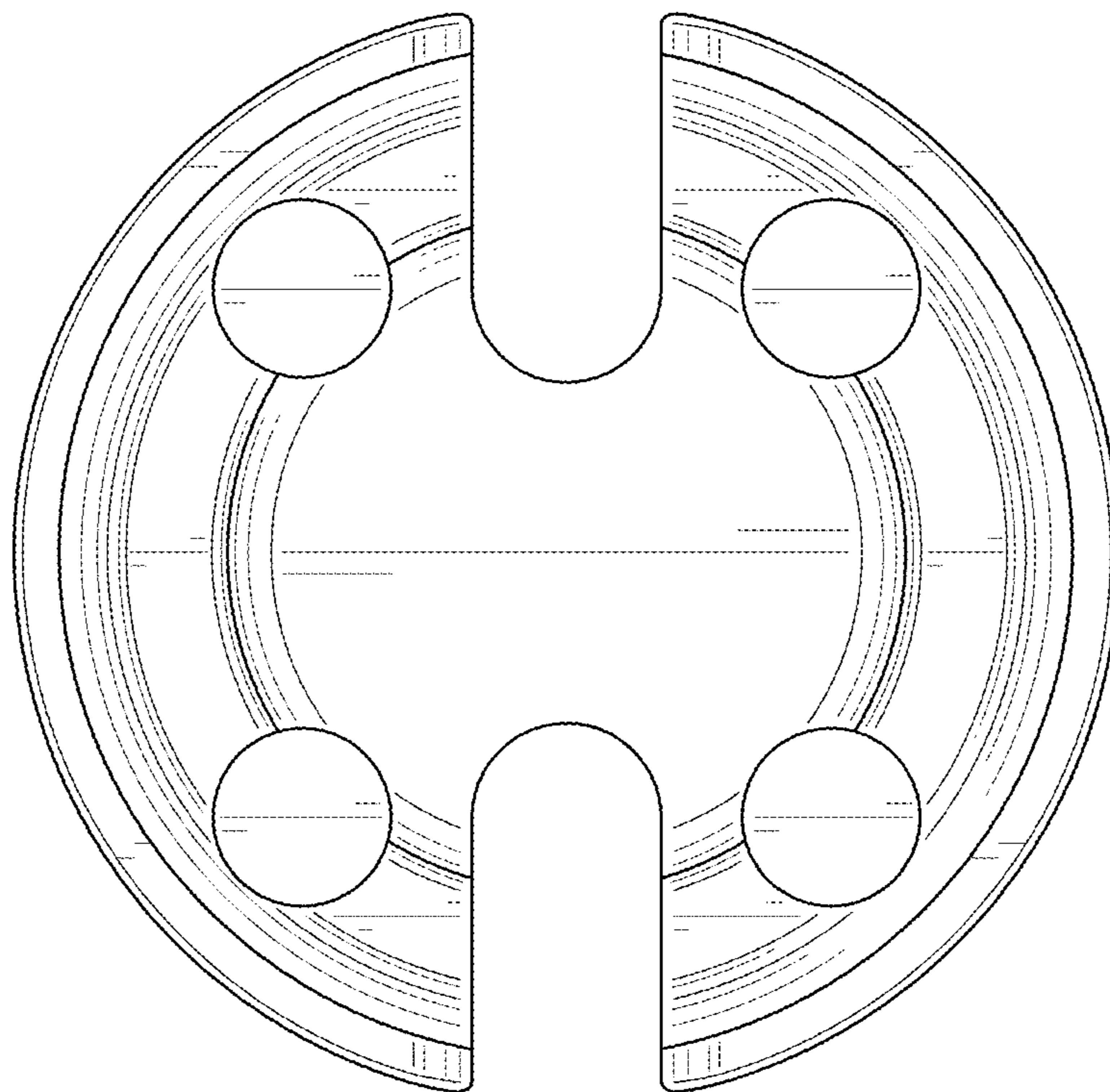


FIG. 7