



US00D803645S

(12) **United States Design Patent**  
**Suhami et al.**

(10) **Patent No.:** **US D803,645 S**

(45) **Date of Patent:** **\*\* Nov. 28, 2017**

(54) **ELEPHANT-SHAPED CORKSCREW**

(71) Applicants: **David Suhami**, Tel-Aviv (IL); **Nitzan Shafat**, Tel-Aviv (IL)

(72) Inventors: **David Suhami**, Tel-Aviv (IL); **Nitzan Shafat**, Tel-Aviv (IL)

(\*\*) Term: **15 Years**

(21) Appl. No.: **29/575,271**

(22) Filed: **Aug. 23, 2016**

(51) **LOC (10) Cl.** ..... **07-06**

(52) **U.S. Cl.**  
USPC ..... **D8/38**

(58) **Field of Classification Search**  
USPC ..... D8/18, 33, 34, 38, 40, 42, 43; D9/600,  
D9/610, 718, 746; D21/616, 478, 584;  
30/400; 81/3.45; 7/118, 154, 155, 169  
CPC .... B67B 1/00; B67B 1/04; B67B 1/06; B67B  
7/00; B67B 3/00; B25F 1/00  
See application file for complete search history.

(56) **References Cited**

**U.S. PATENT DOCUMENTS**

D154,880 S \* 8/1949 Ross ..... D8/38  
D454,038 S \* 3/2002 Kao ..... D8/38

D497,528 S \* 10/2004 Harris ..... D8/34  
D504,293 S \* 4/2005 Allan ..... D8/42  
D576,003 S \* 9/2008 Patrizio ..... B67B 7/0429  
D8/40  
D649,849 S \* 12/2011 Bates ..... D8/40  
D691,008 S \* 10/2013 Watson ..... D8/34  
D727,703 S \* 4/2015 Lee ..... D8/38  
D752,404 S \* 3/2016 Pelgrom ..... D8/33

\* cited by examiner

*Primary Examiner* — Wan Laymon

*Assistant Examiner* — Clint A Samuel

(74) *Attorney, Agent, or Firm* — Charles H. Jew

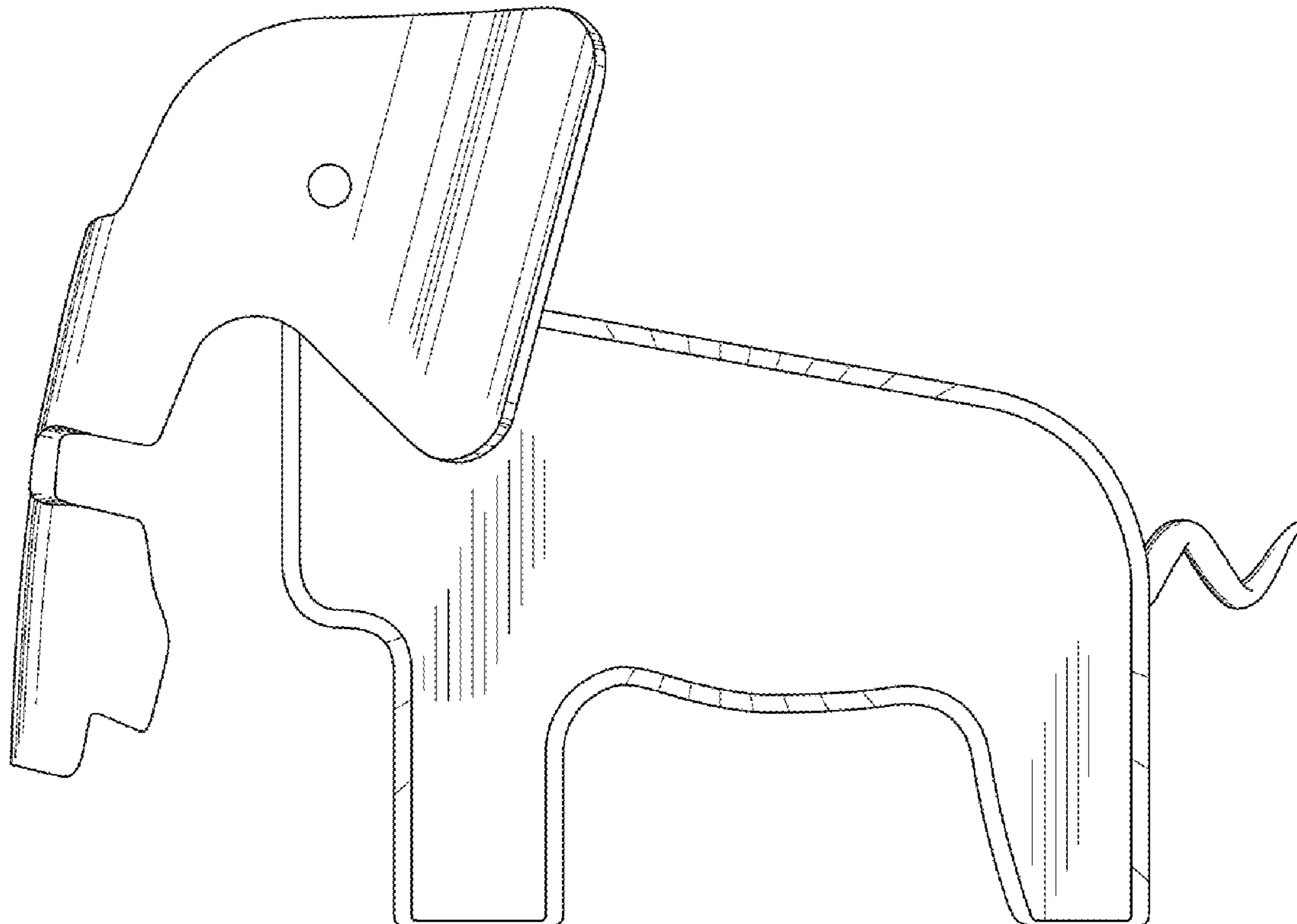
(57) **CLAIM**

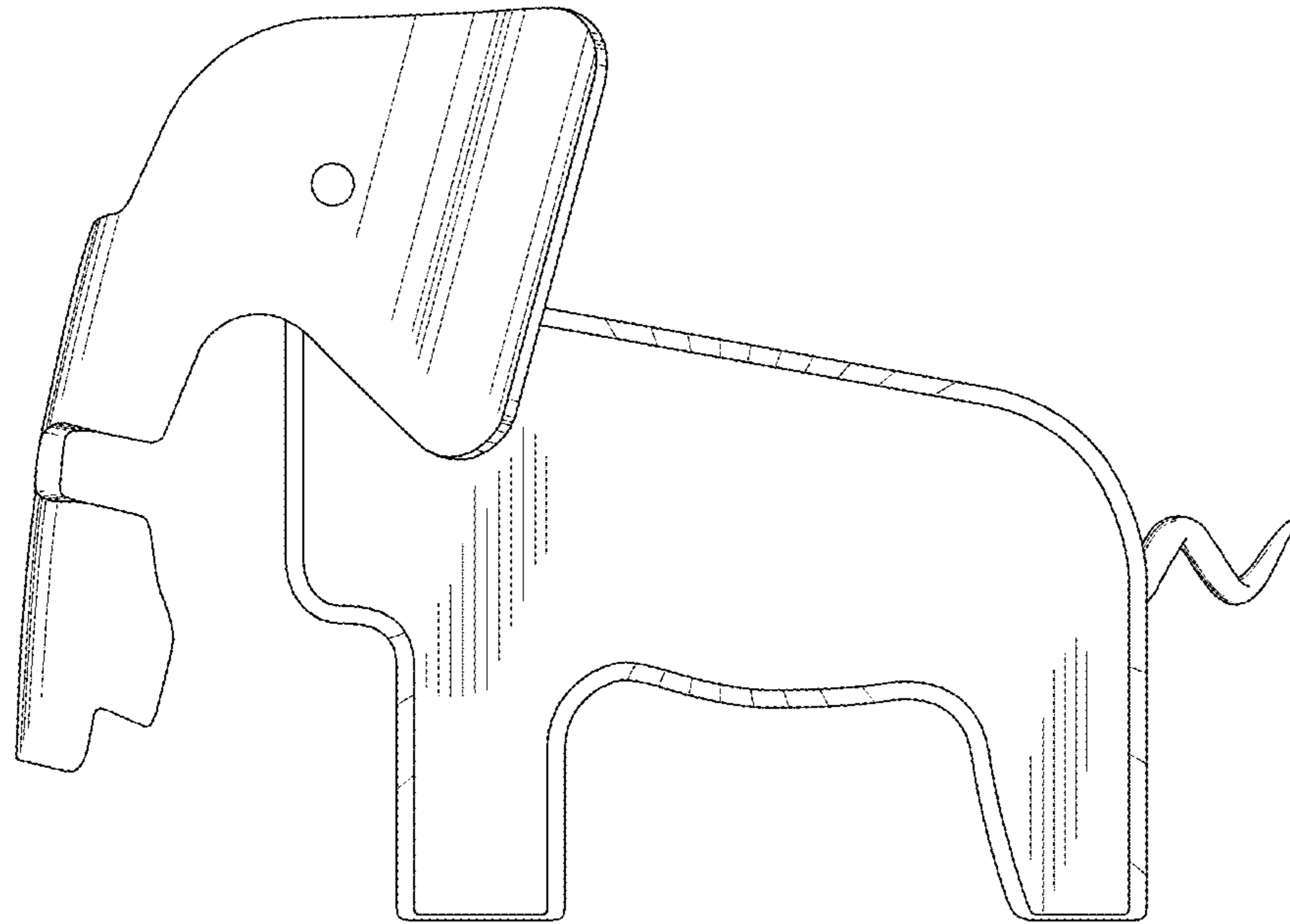
The ornamental design for an elephant-shaped corkscrew, as shown and described.

**DESCRIPTION**

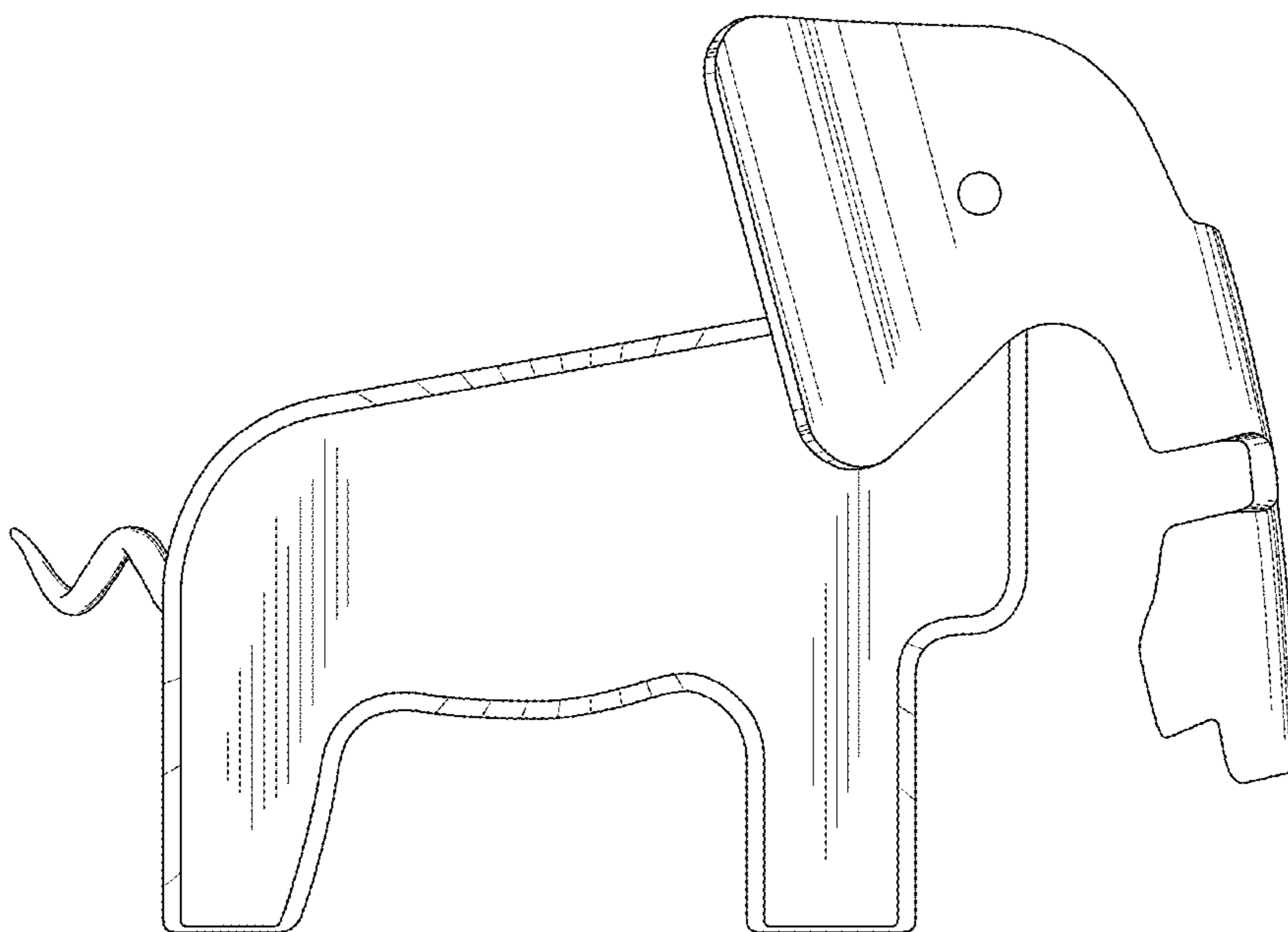
FIG. 1 is a right side elevational view of an elephant-shaped corkscrew showing our novel design; FIG. 2 is a left side elevational view thereof; FIG. 3 is a rear elevational view thereof; FIG. 4 is a front elevational view thereof; FIG. 5 is a top plan view thereof; FIG. 6 is a bottom plan view thereof; FIG. 7 is a front perspective view thereof; and, FIG. 8 is a front perspective view thereof shown in an alternative position in use.

**1 Claim, 3 Drawing Sheets**

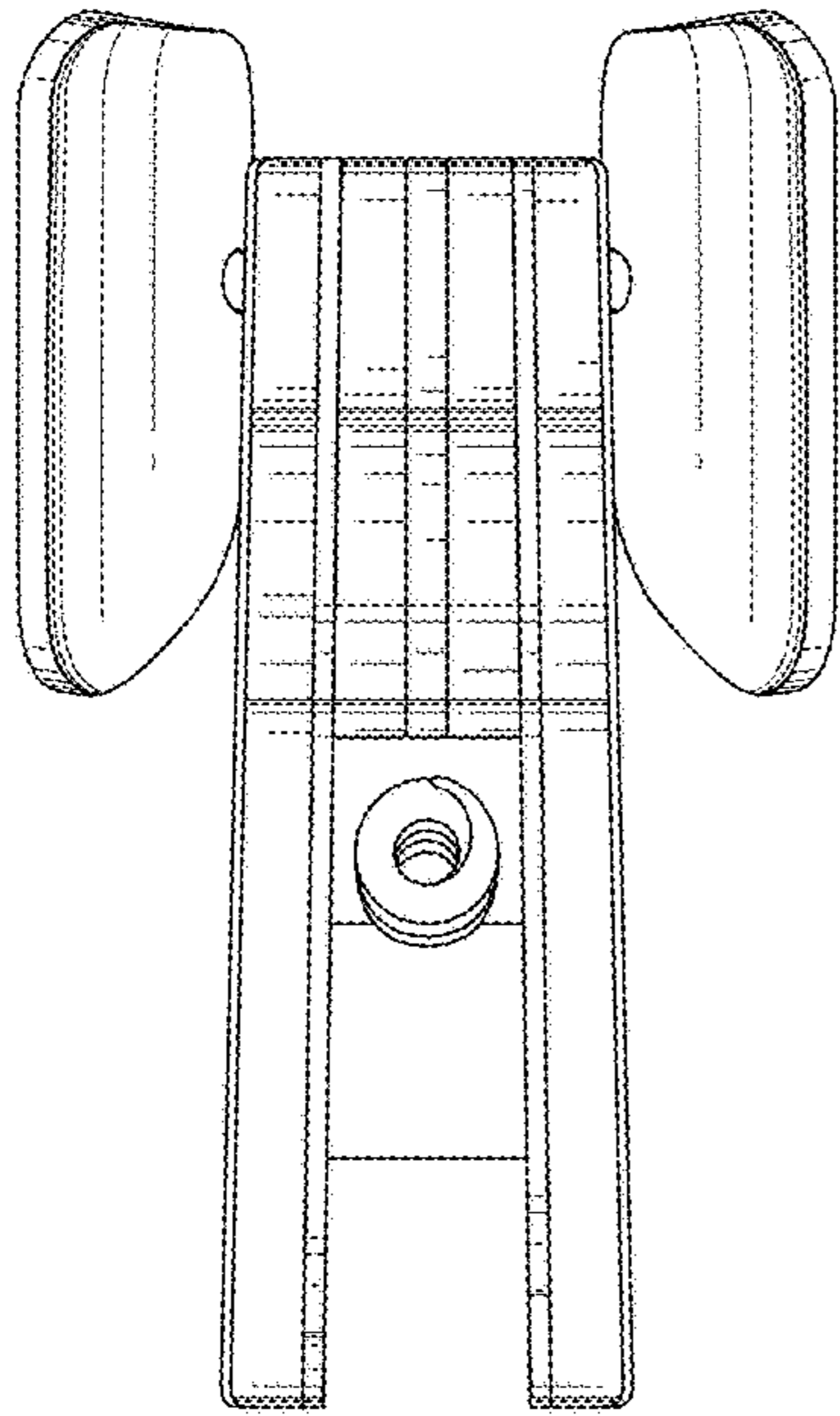




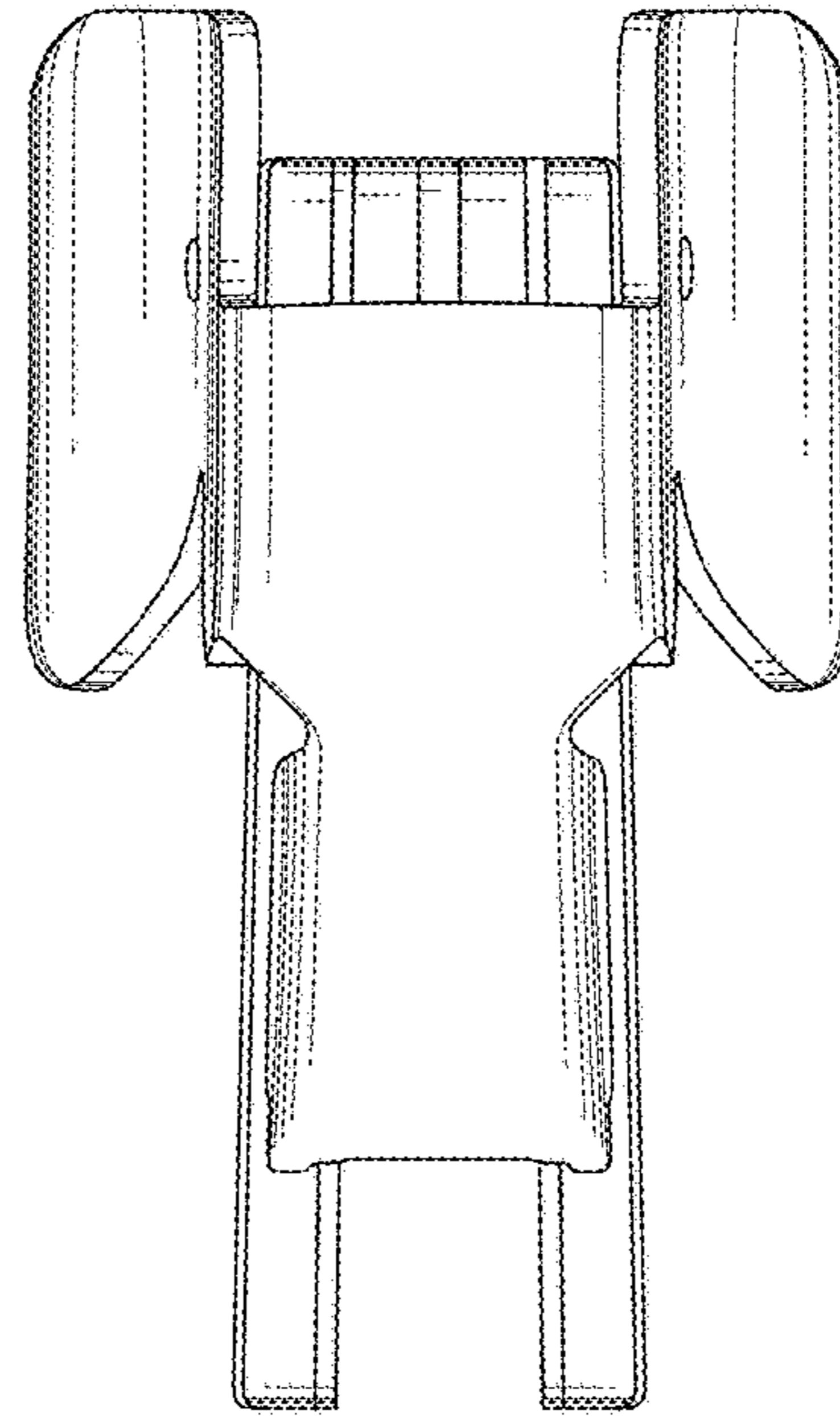
**FIG. 1**



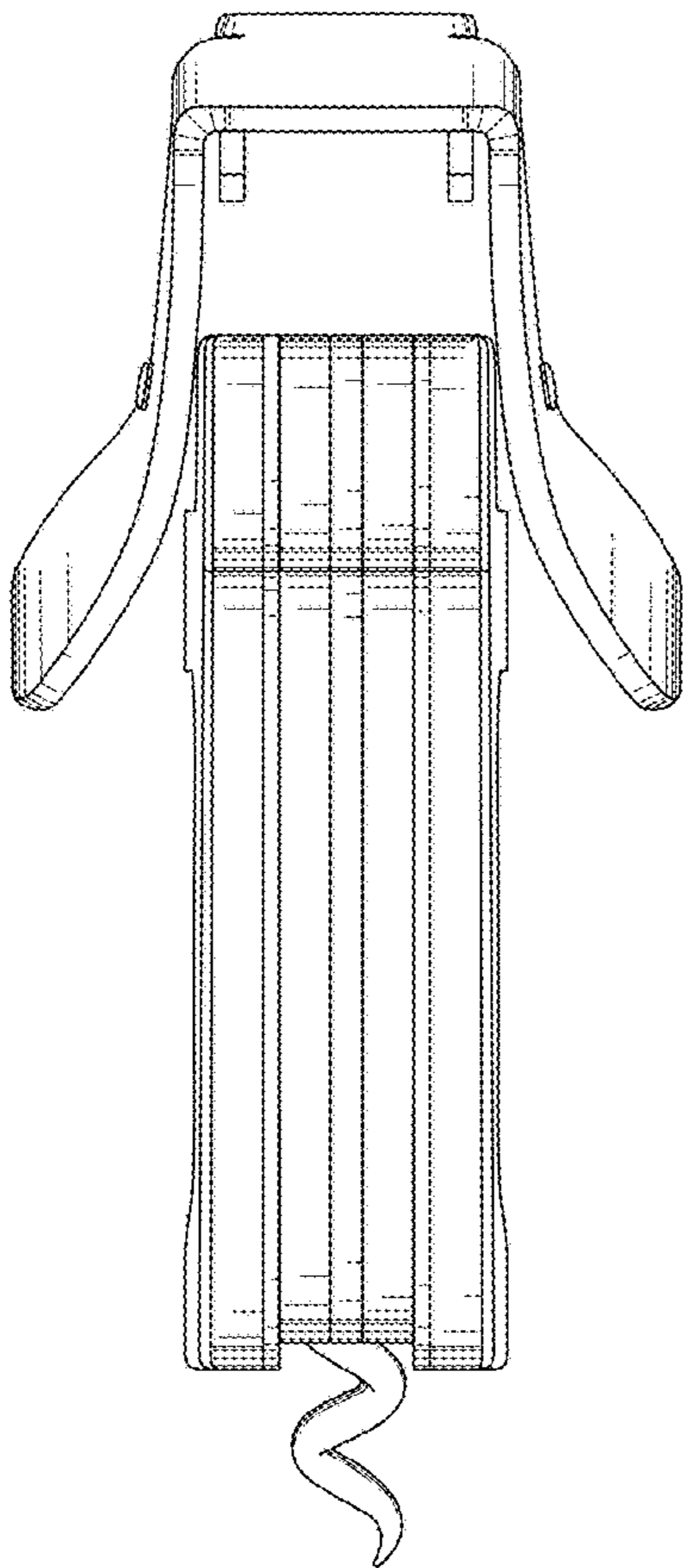
**FIG. 2**



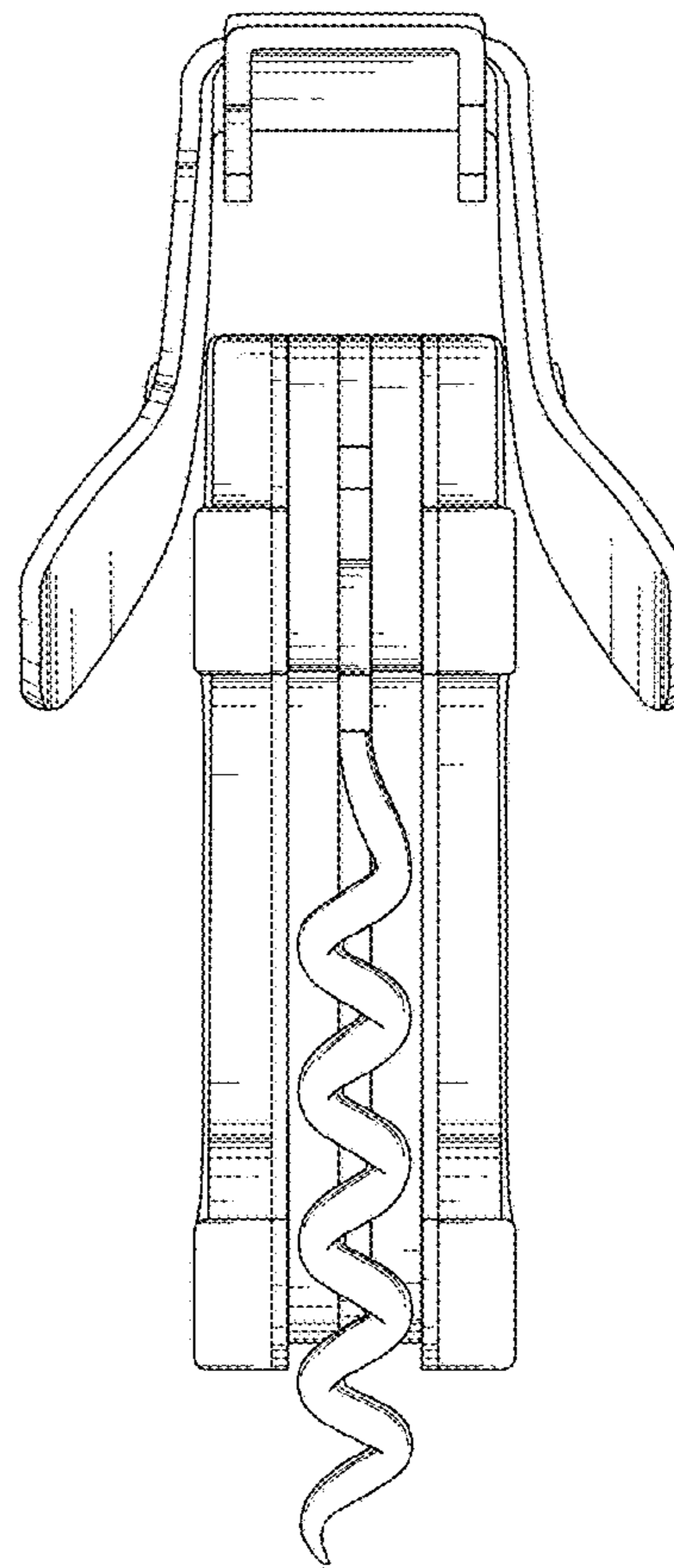
**FIG. 3**



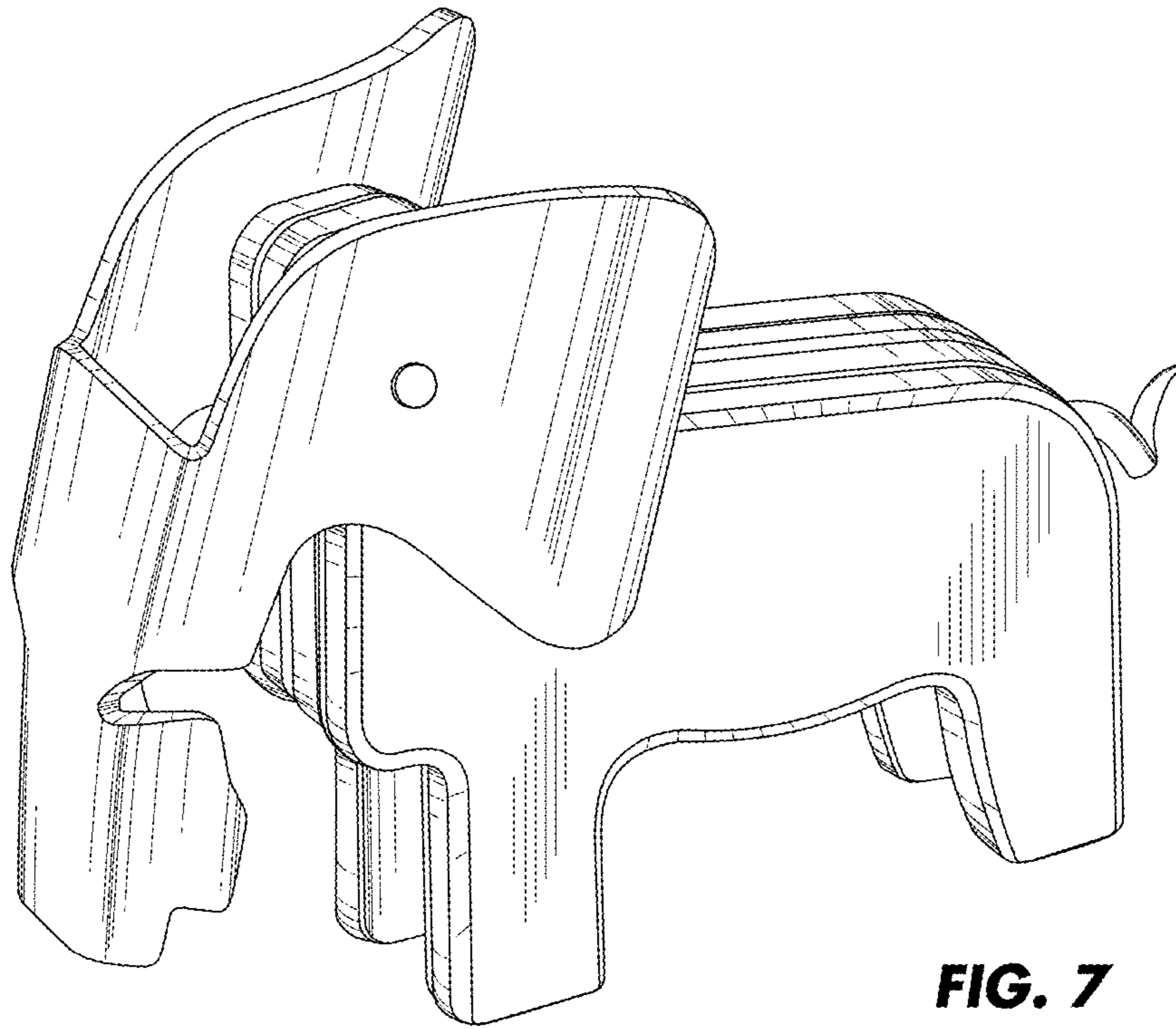
**FIG. 4**



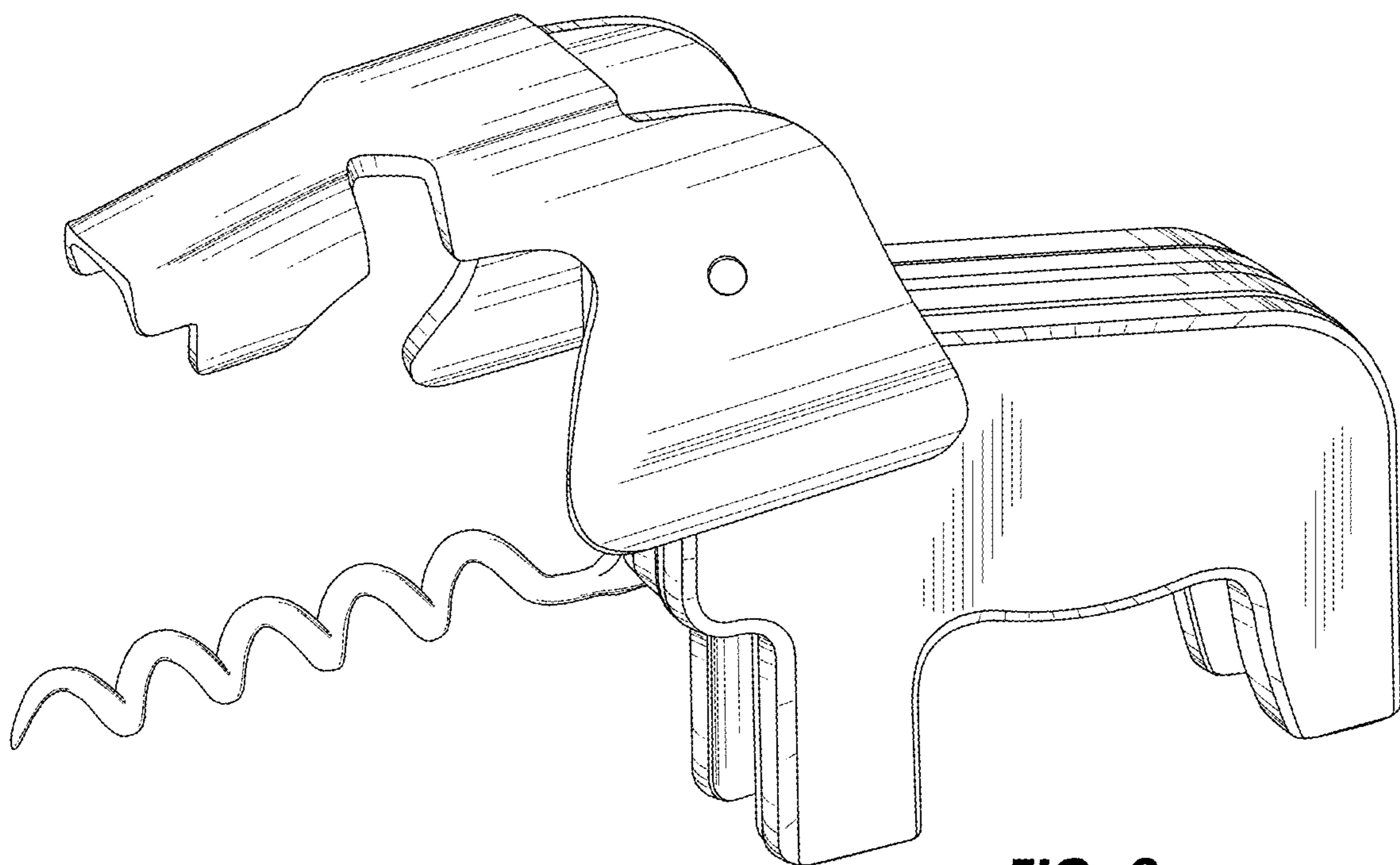
**FIG. 5**



**FIG. 6**



**FIG. 7**



**FIG. 8**