



US00D803643S

(12) **United States Design Patent**
Smith

(10) **Patent No.:** **US D803,643 S**

(45) **Date of Patent:** **** Nov. 28, 2017**

(54) **UTILITY SHOVEL**

(71) Applicant: **Gregory Lance Smith**, Deatsville, AL
(US)

(72) Inventor: **Gregory Lance Smith**, Deatsville, AL
(US)

(**) Term: **15 Years**

(21) Appl. No.: **29/585,441**

(22) Filed: **Nov. 23, 2016**

(51) **LOC (10) Cl.** **08-01**

(52) **U.S. Cl.**
USPC **D8/10; D8/9**

(58) **Field of Classification Search**
USPC D8/1, 7, 9, 10, 11, 107; D21/532, 398
CPC .. A01B 1/02; A01B 1/22; A01B 1/022; A01B
1/026; A01B 1/04; A01B 1/20; A01B
15/02; A62B 3/005; B25F 1/00; B25F
1/006; B25F 1/02; B25G 1/102; Y10T
16/4713; Y10T 16/476

See application file for complete search history.

(56) **References Cited**

U.S. PATENT DOCUMENTS

D332,555 S *	1/1993	Hagerman	D8/10
D362,601 S *	9/1995	Jackson	D8/9
5,520,429 A *	5/1996	Gregory	A01B 1/02 254/131.5
5,669,649 A *	9/1997	Metcalf	A01B 1/02 294/49
5,951,077 A *	9/1999	Dahill	A01B 1/02 294/49

D570,654 S *	6/2008	Baker	D8/10
D588,882 S *	3/2009	Baker, II	D8/10
D623,488 S *	9/2010	Randolph	D8/10
D626,390 S *	11/2010	Randolph	D8/10
D770,249 S *	11/2016	Mathieu	D8/10
2008/0309106 A1 *	12/2008	Baker	A01B 1/04 294/49
2010/0051297 A1 *	3/2010	Mathieu	A01B 1/02 172/1

* cited by examiner

Primary Examiner — Sheryl Lane

Assistant Examiner — Ieisha Price

(57) **CLAIM**

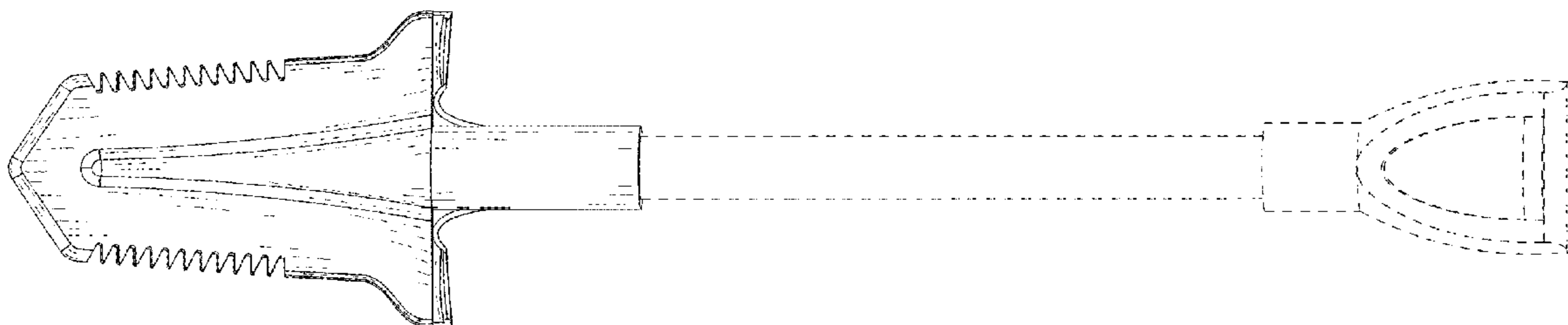
The ornamental design for utility shovel, as shown and described.

DESCRIPTION

FIG. 1 is a perspective view of a shovel;
 FIG. 2 is a bottom perspective view thereof;
 FIG. 3 is a frontal elevational view thereof;
 FIG. 4 is a top plan view thereof;
 FIG. 5 is a bottom plan view thereof;
 FIG. 6 is a back plan view thereof;
 FIG. 7 is a front plan view thereof; and,
 FIG. 8 is a left plan view thereof.

The broken lines showing of the handle are included for the purpose of illustrating environmental structure and forms no part of the claimed design.

1 Claim, 8 Drawing Sheets



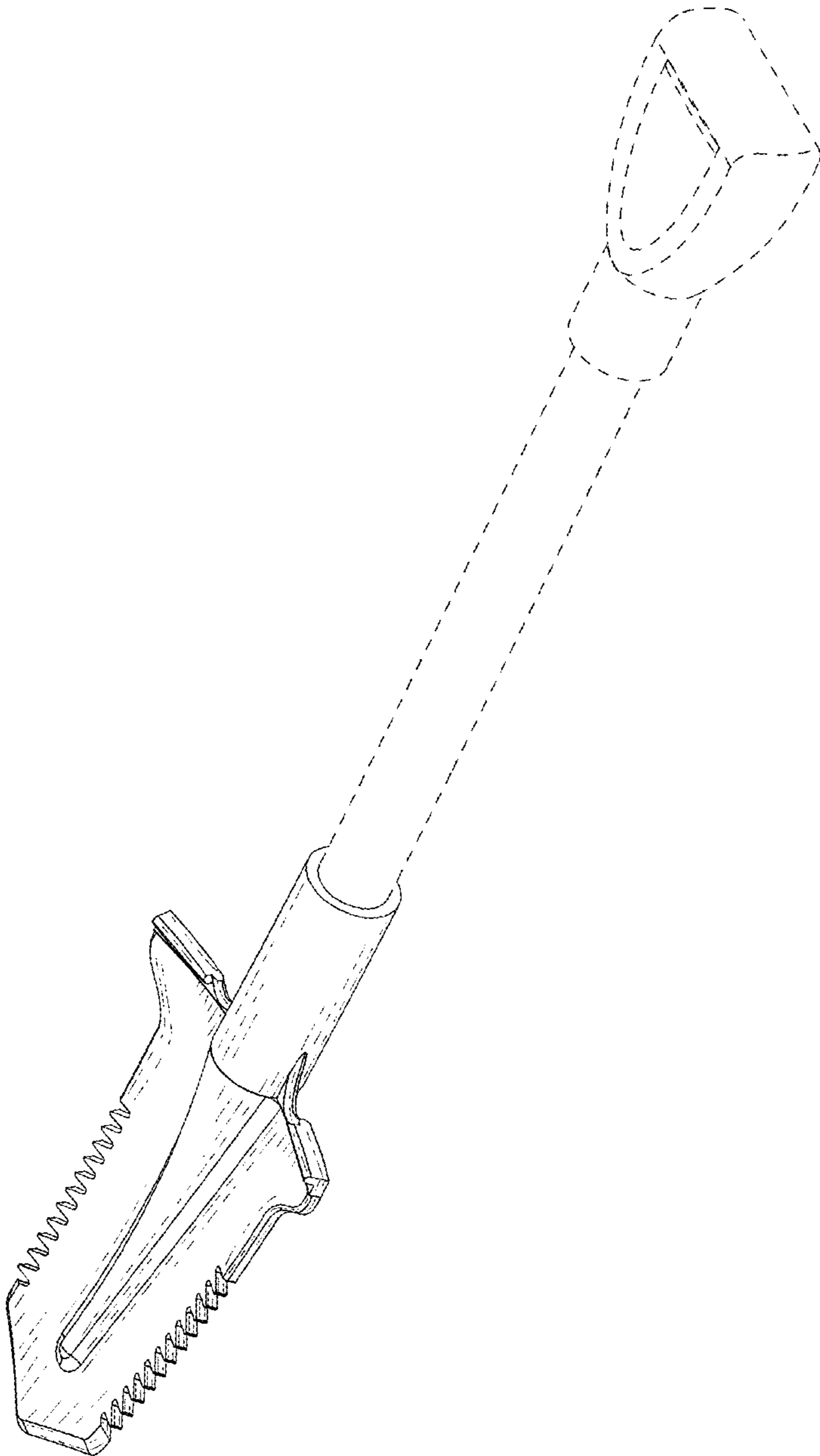


FIG. 1

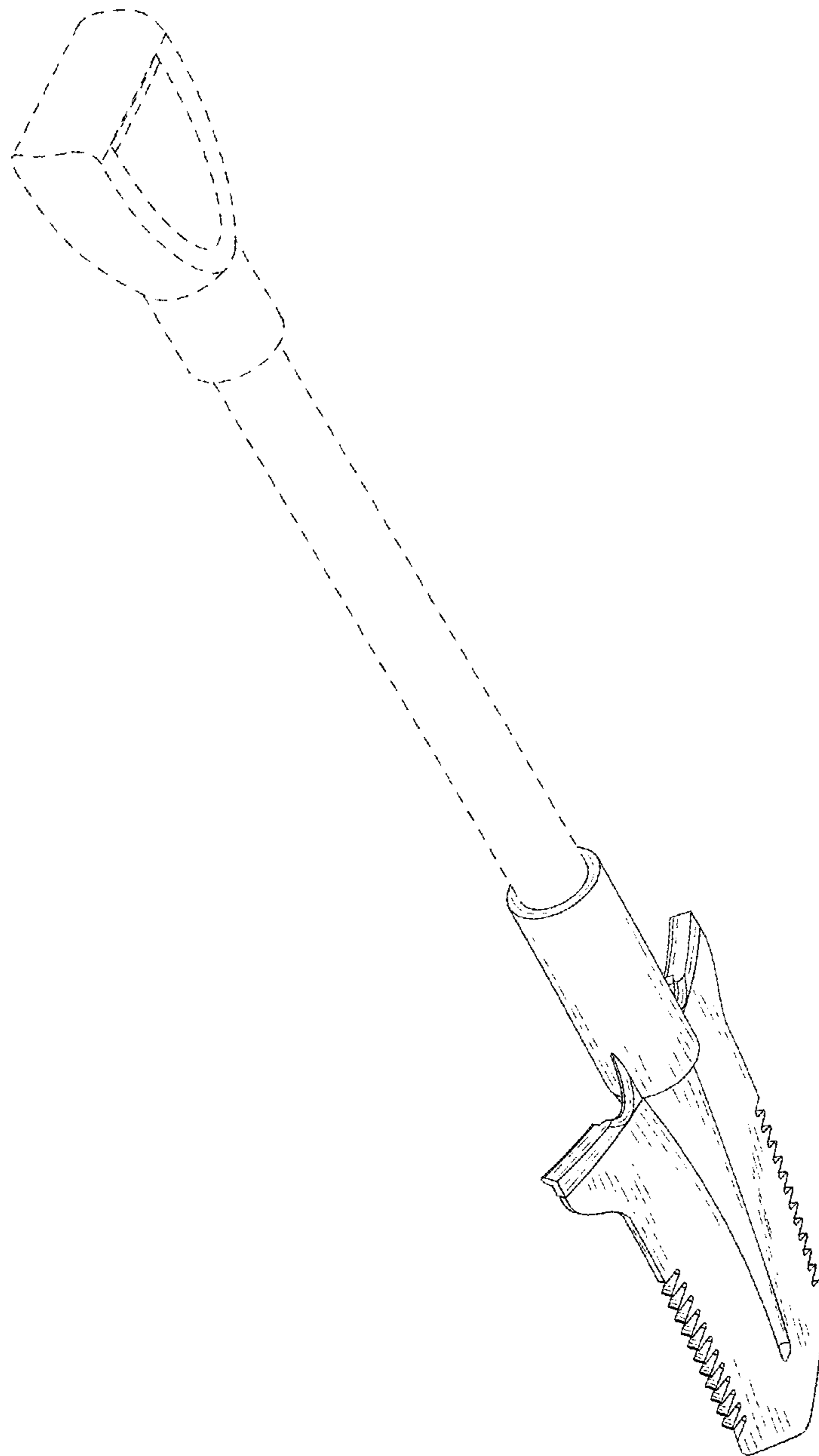


FIG. 2

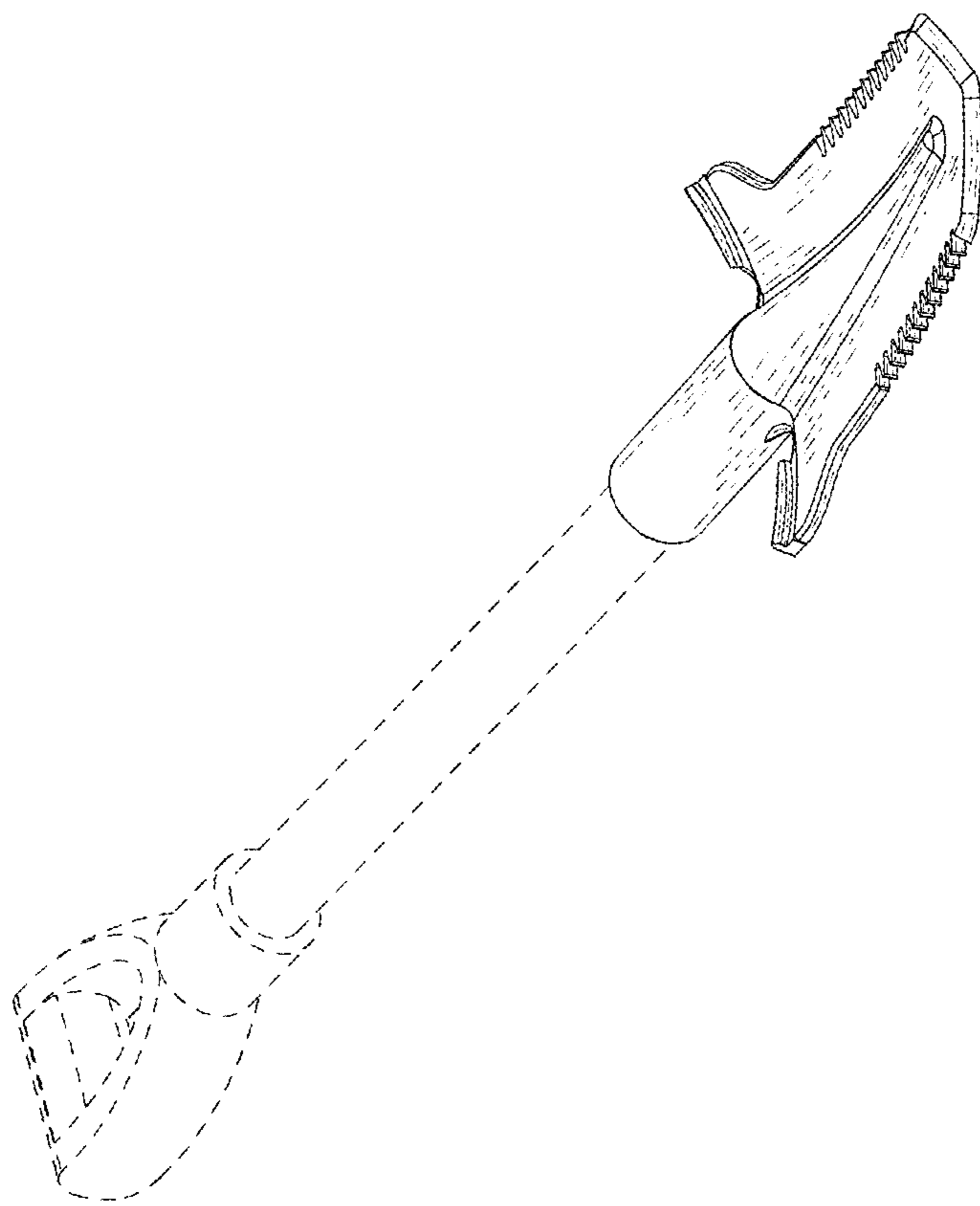


FIG. 3

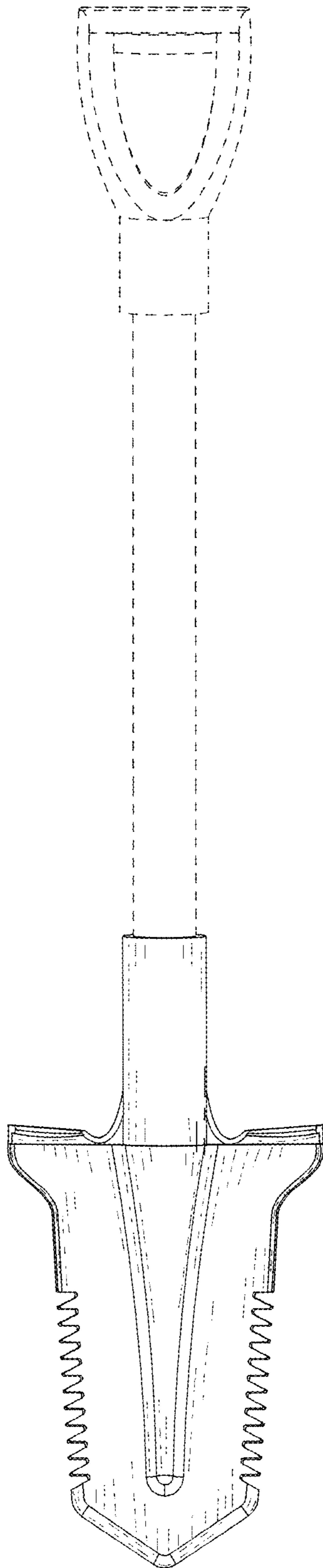


FIG. 4

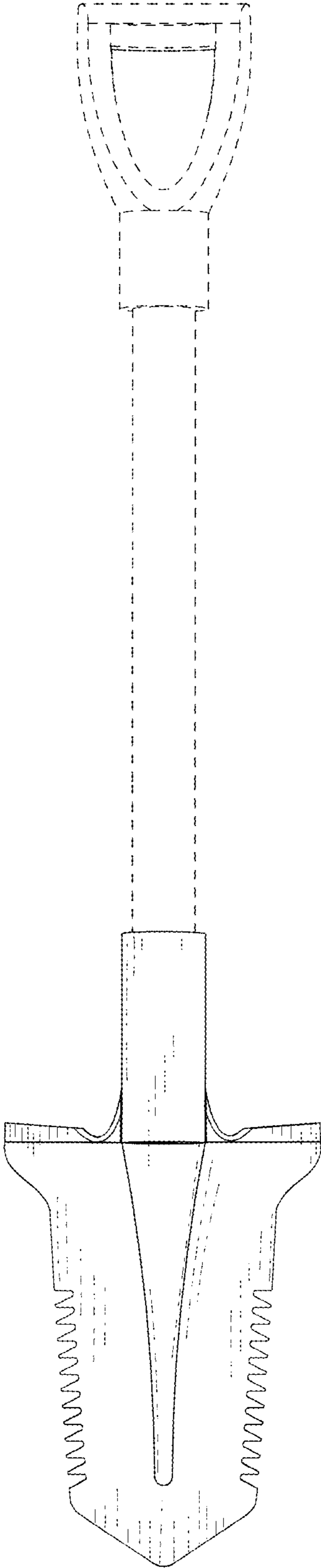


FIG. 5

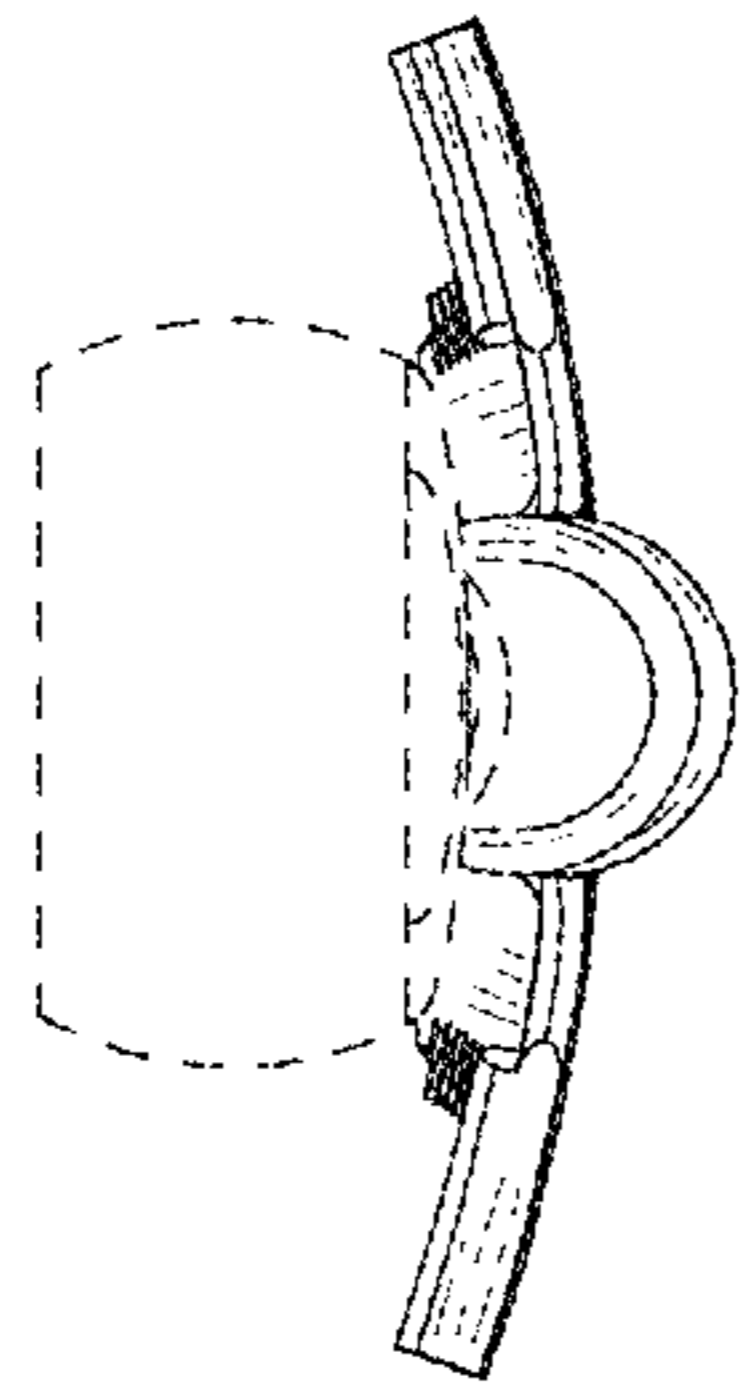


FIG. 6

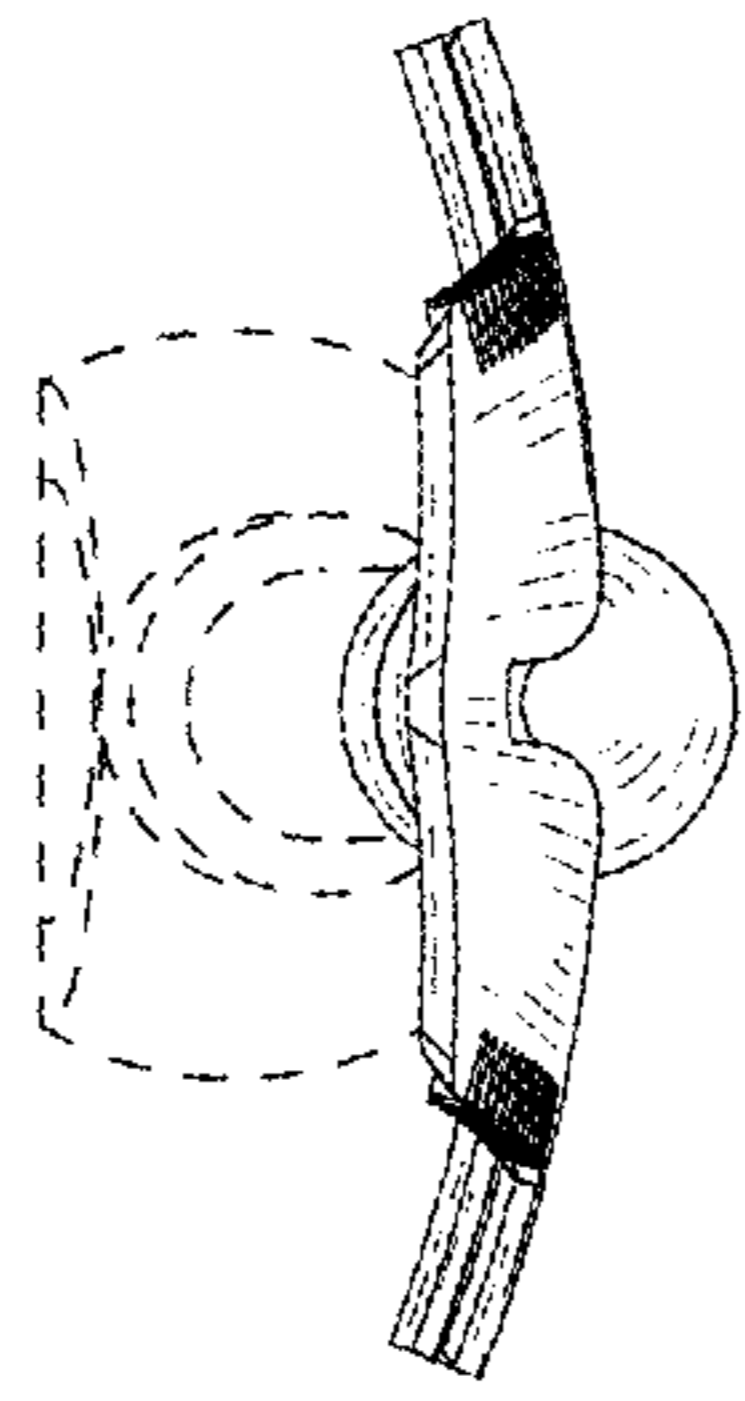


FIG. 7

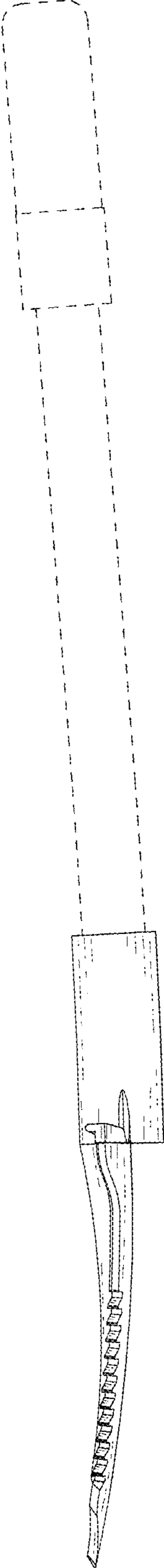


FIG. 8