



US00D803640S

(12) **United States Design Patent**
Grimm

(10) **Patent No.:** **US D803,640 S**

(45) **Date of Patent:** **** Nov. 28, 2017**

(54) **CUTTING BOARD**

(71) Applicant: **Kyle Grimm**, Imperial, MO (US)

(72) Inventor: **Kyle Grimm**, Imperial, MO (US)

(**) Term: **15 Years**

(21) Appl. No.: **29/582,474**

(22) Filed: **Oct. 27, 2016**

(51) **LOC (10) Cl.** **07-04**

(52) **U.S. Cl.**
USPC **D7/698**

(58) **Field of Classification Search**

USPC D6/583; D7/543, 549, 550.1, 586,
D7/698-699; D15/127; D32/55-57
CPC A47J 47/00; A47J 47/005; A47J 47/20;
B26D 7/0006; B26D 7/018; B26D 7/20;
B23D 21/00; B23K 37/04; B23K 37/053;
B23Q 16/001

See application file for complete search history.

(56) **References Cited**

U.S. PATENT DOCUMENTS

D158,838 S *	6/1950	Caldwell	D6/583
3,837,634 A *	9/1974	Cobb	A47J 47/005
				144/346
3,947,012 A *	3/1976	Cobb	A47J 47/005
				144/346
D266,281 S *	9/1982	Ellis	D32/56
D267,463 S *	1/1983	Thompson	D6/664
D357,847 S *	5/1995	Hoffman	D7/698
D376,606 S *	12/1996	Thompson	D10/64
D382,776 S *	8/1997	McLeod	D7/698
D609,538 S *	2/2010	Sullivan	D7/698
D689,350 S *	9/2013	Sudmalis	D7/698
D694,593 S *	12/2013	Shofet	D7/698
D701,095 S *	3/2014	Arvan	D7/698
D702,096 S *	4/2014	Stineburg	D7/698

* cited by examiner

Primary Examiner — Ricky Pham

(74) *Attorney, Agent, or Firm* — Polster, Lieder, Woodruff & Lucchesi, LC

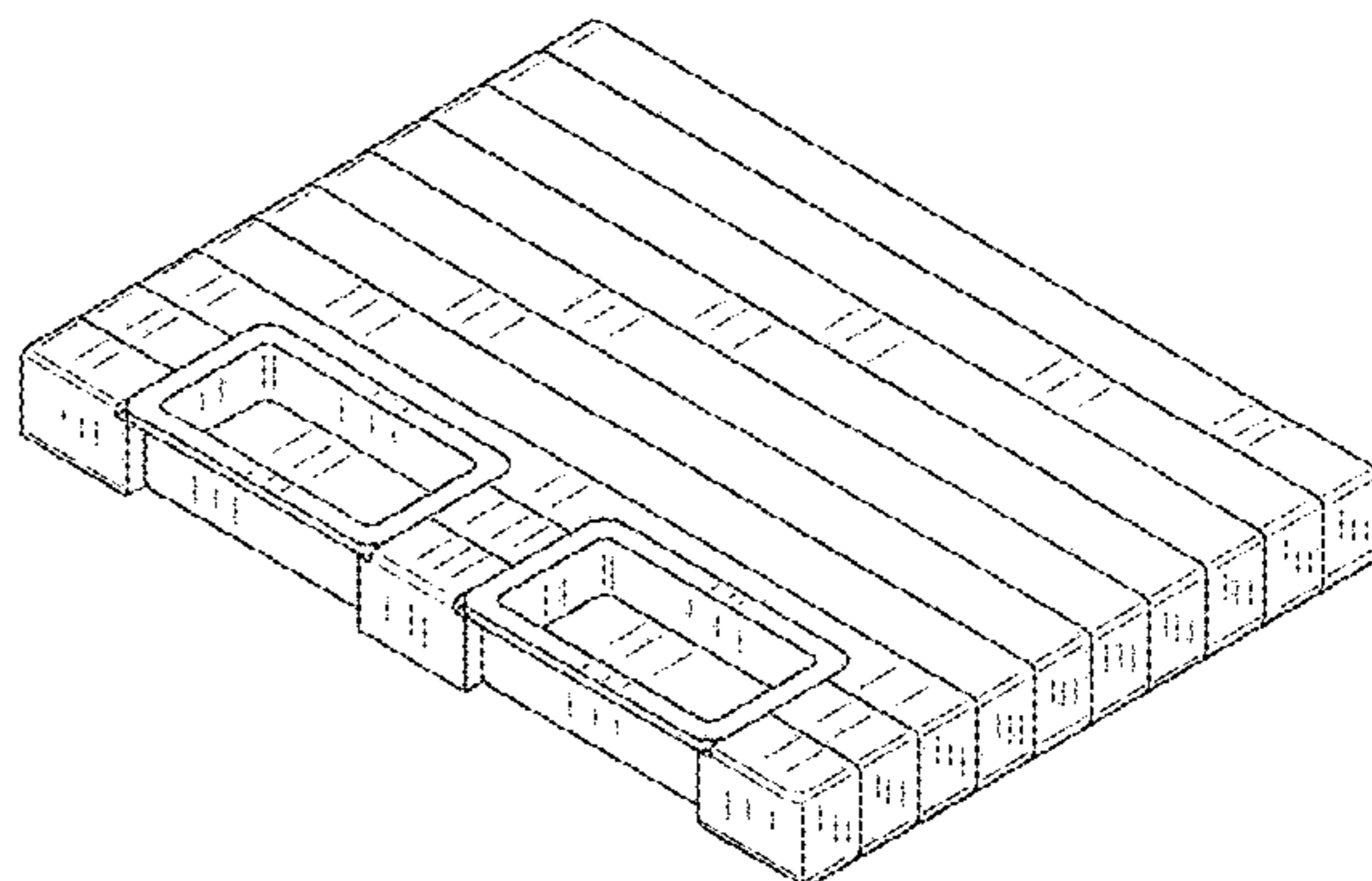
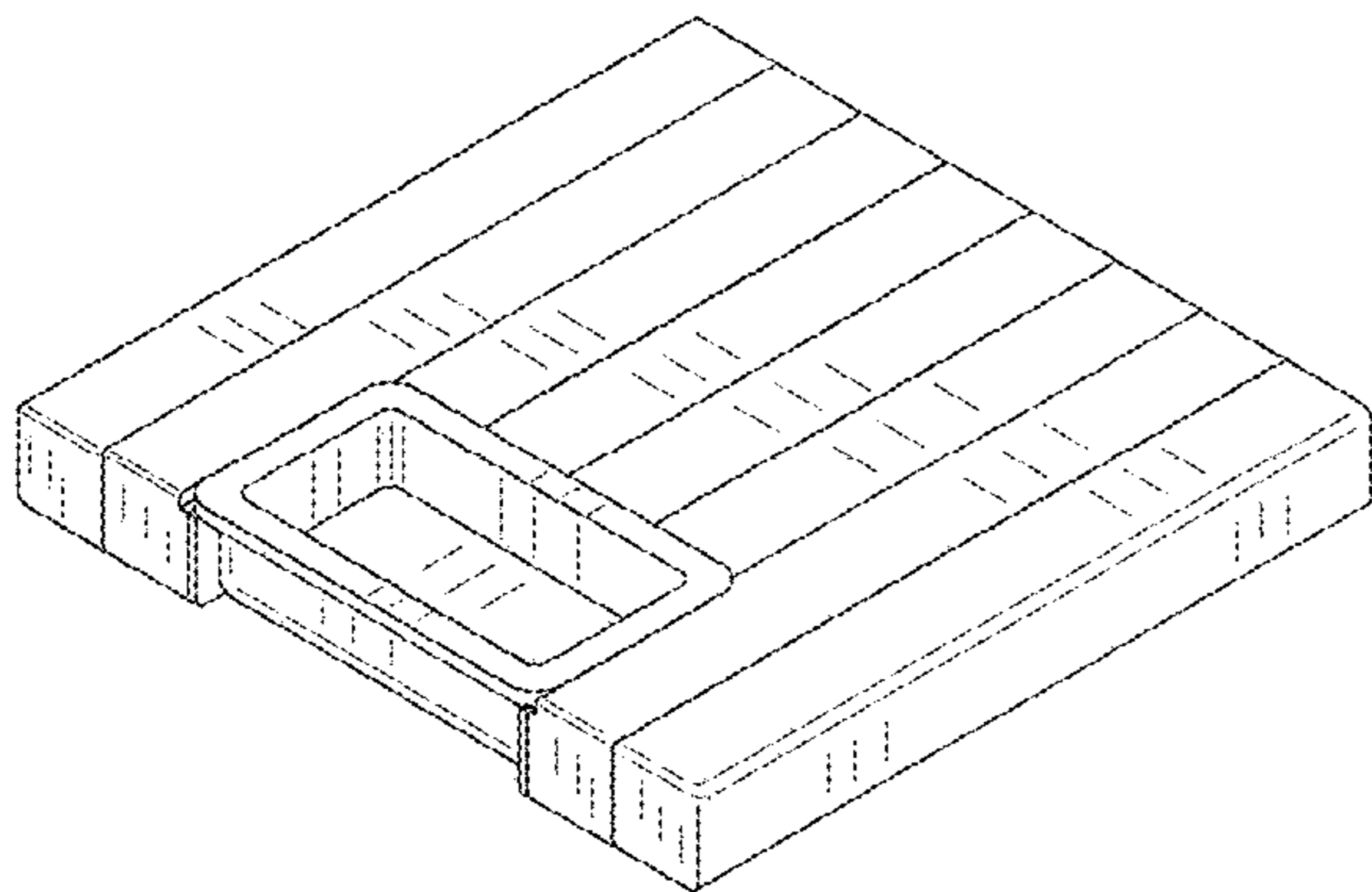
(57) **CLAIM**

The ornamental design for cutting board, as shown and described.

DESCRIPTION

FIG. 1 is a perspective view of a cutting board;
 FIG. 2 is a top plan view of the cutting board;
 FIG. 3 is a bottom plan view of the cutting board;
 FIG. 4 is a front elevational view of the cutting board;
 FIG. 5 is a rear elevational view of the cutting board;
 FIG. 6 is a side elevational view (the right and left side views being identical);
 FIG. 7 is a perspective view an alternative version of the cutting board;
 FIG. 8 is a top plan view of the cutting board of FIG. 7;
 FIG. 9 is a bottom plan view of the cutting board of FIG. 7;
 FIG. 10 is a front elevational view of the cutting board of FIG. 7;
 FIG. 11 is a rear elevational view of the cutting board of FIG. 7;
 FIG. 12 is a side elevational view of the cutting board of FIG. 7, (the right and left side elevational views for the cutting board being identical);
 FIG. 13 is a perspective view of a cutting board similar to that of FIG. 1; and,
 FIG. 14 is a perspective view of a cutting board similar to that of FIG. 7.
 The broken lines shown in the drawings are for illustrative purposes only and form no part of the claimed design.

1 Claim, 5 Drawing Sheets



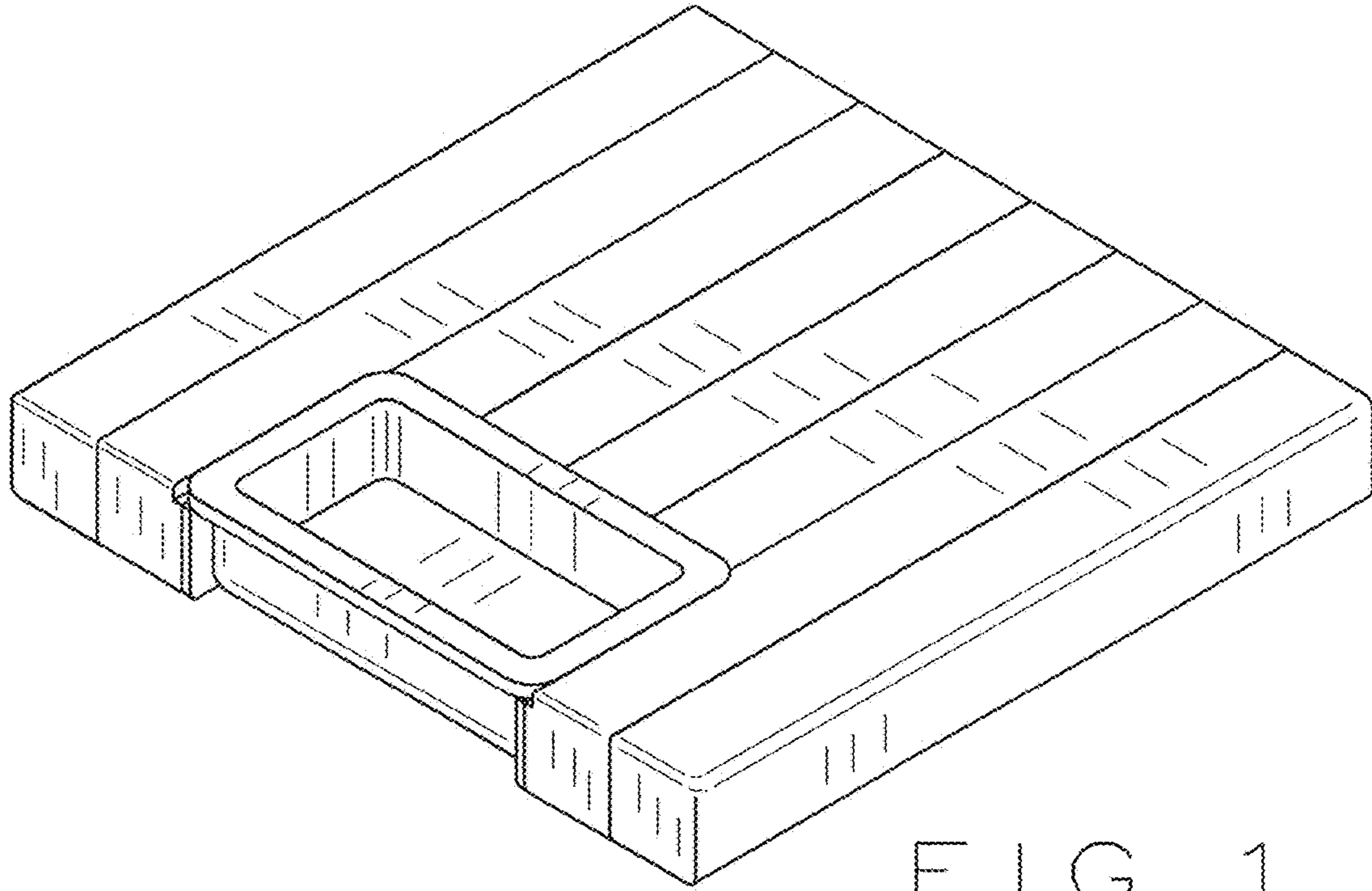


FIG. 1

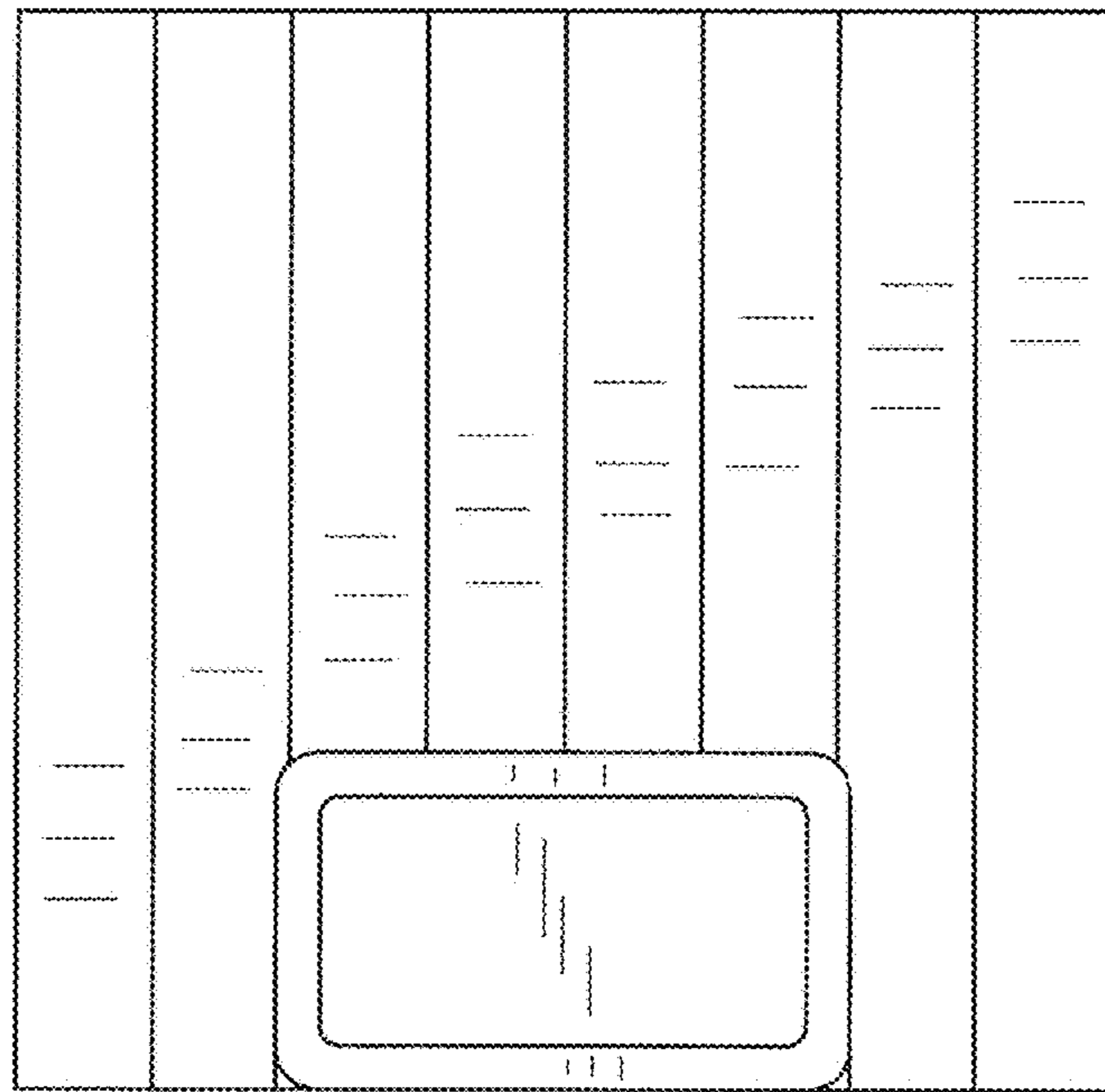


FIG. 2

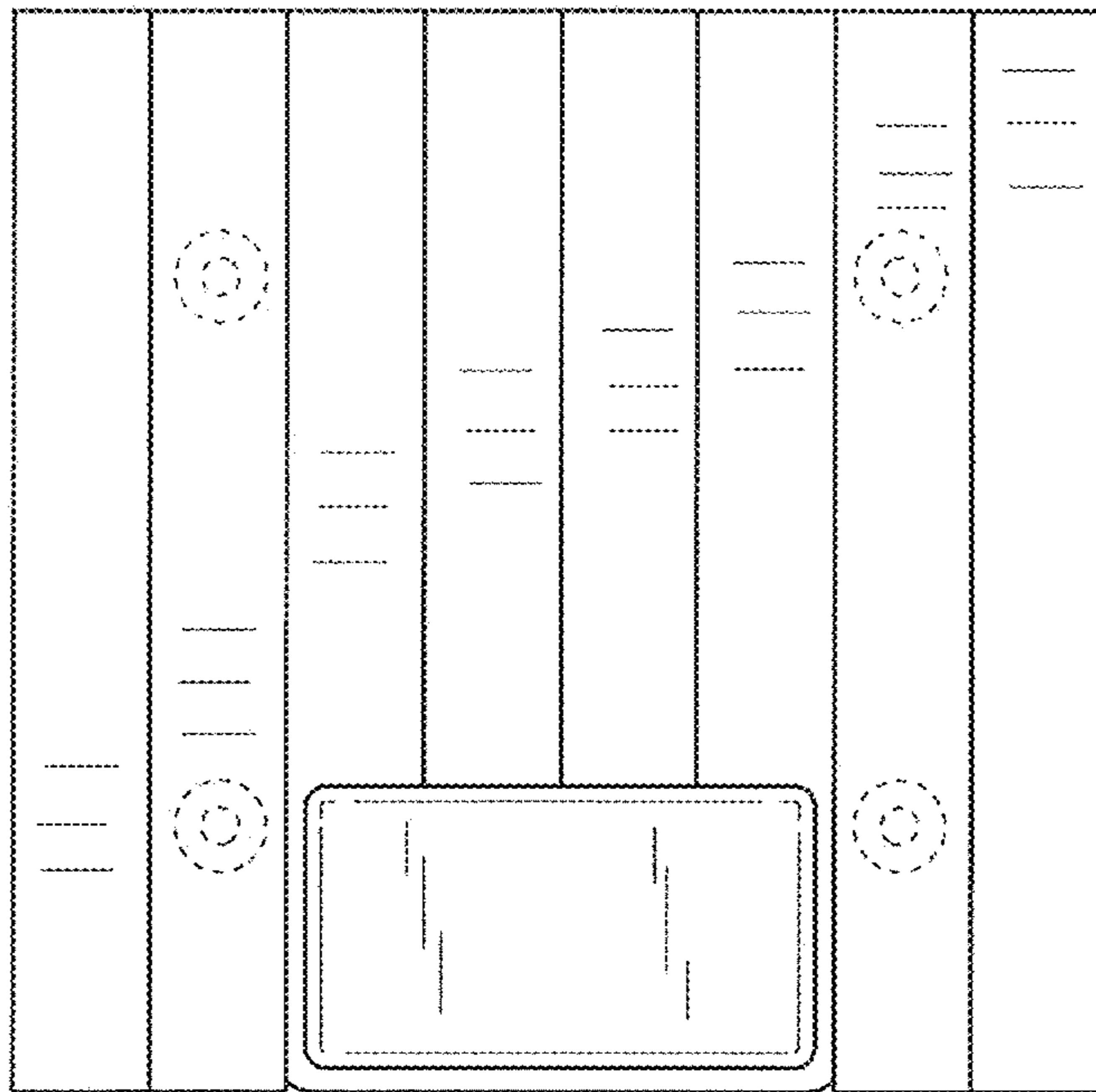


FIG. 3



FIG. 4



FIG. 5



FIG. 6

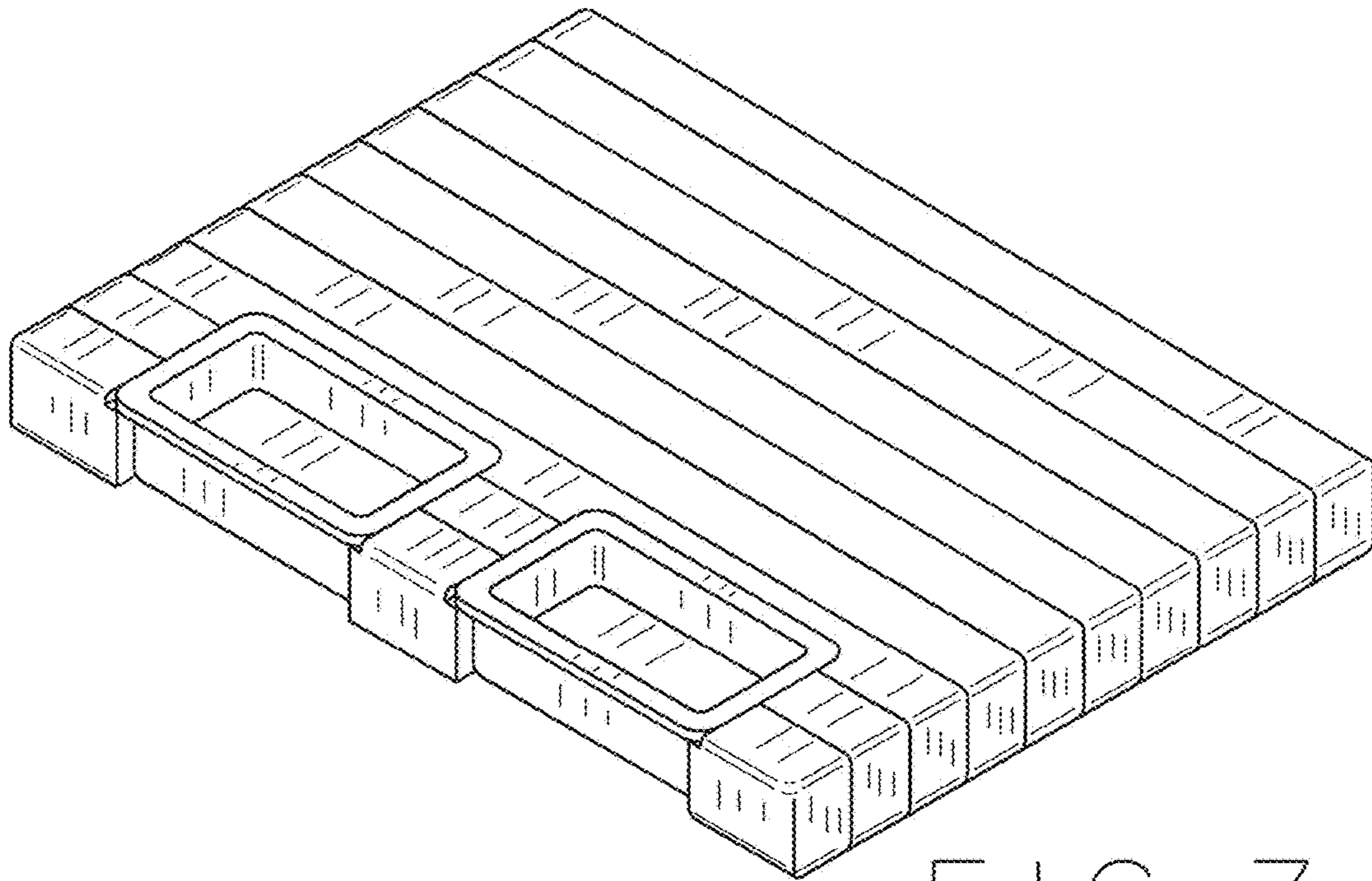


FIG. 7

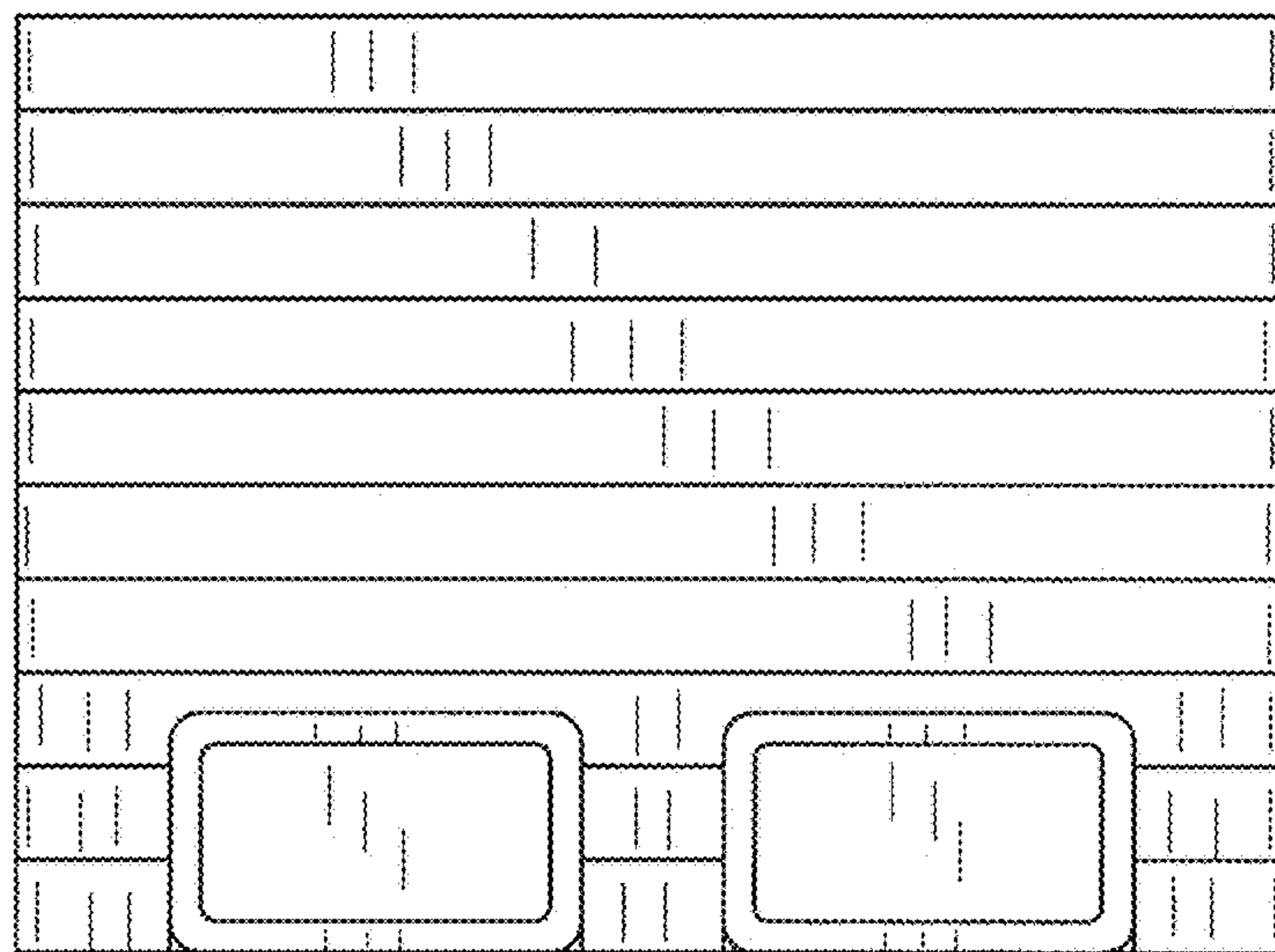


FIG. 8

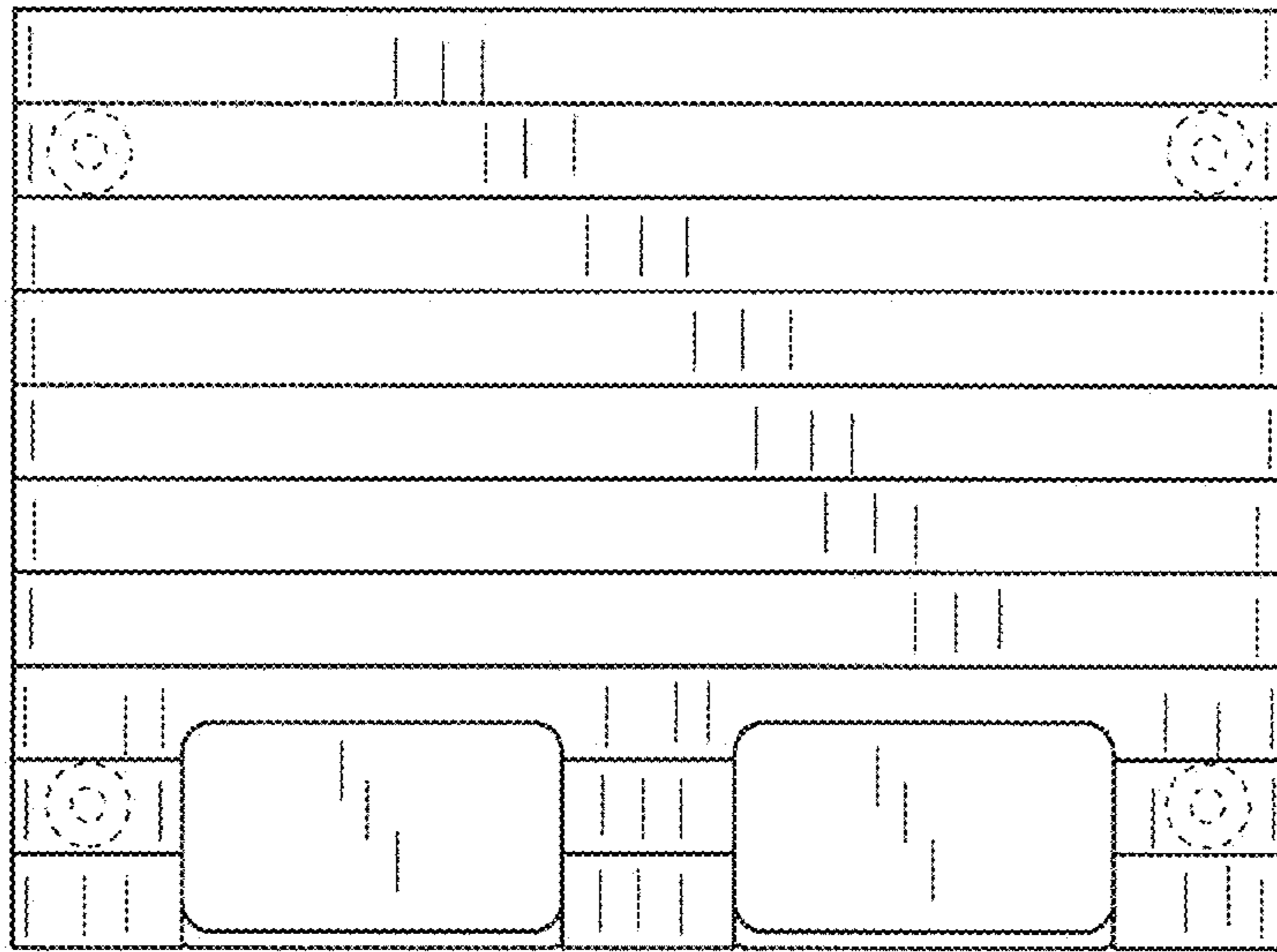


FIG. 9



FIG. 10



FIG. 11



FIG. 12

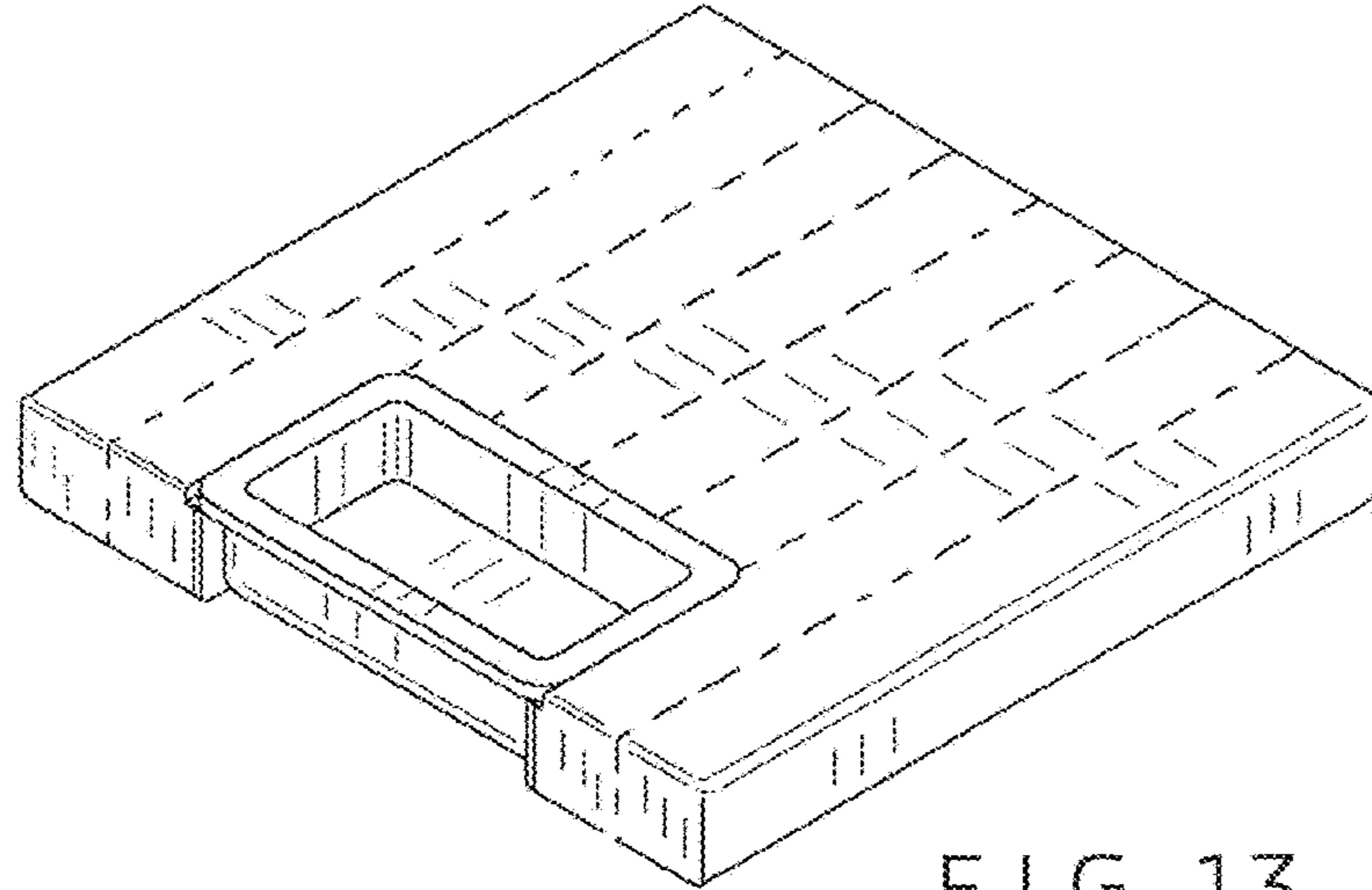


FIG. 13

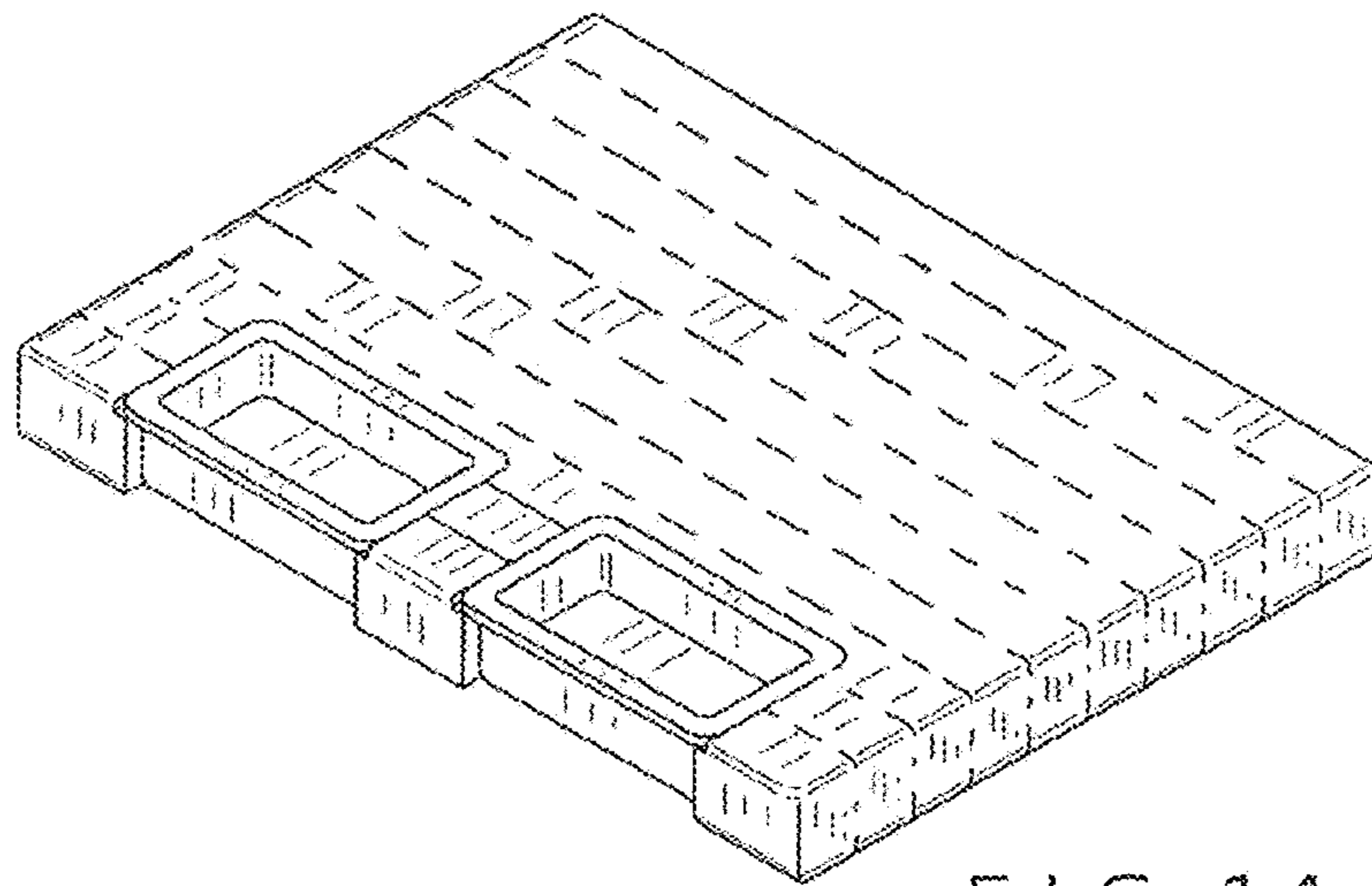


FIG. 14