

US00D803637S

(12) **United States Design Patent**
Feng

(10) **Patent No.:** **US D803,637 S**

(45) **Date of Patent:** **** Nov. 28, 2017**

(54) **CONTAINER**

(71) Applicant: **Zhejiang Shengli Plastic Co., Ltd.**,
Taizhou, Zhejiang Province (CN)

(72) Inventor: **Shengli Feng**, Taizhou (CN)

(73) Assignee: **Zhejiang Shengli Plastic Co., Ltd.**
(CN)

(**) Term: **15 Years**

(21) Appl. No.: **29/579,274**

(22) Filed: **Sep. 29, 2016**

(30) **Foreign Application Priority Data**

Apr. 14, 2016 (CN) 2016 3 0123448

(51) **LOC (10) Cl.** **07-07**

(52) **U.S. Cl.**
USPC **D7/629**

(58) **Field of Classification Search**
USPC D7/629, 602, 538-542; D9/761;
206/557, 558, 562, 563, 216, 223, 541;
220/4.21, 4.24, 236, 260, 288, 326, 573.1,
220/574-575, 660, 669-673, 675,
220/780-806

CPC B65D 2543/00296; B65D 43/02; B65D
2543/00101; B65D 2543/00194; B65D
43/16; B65D 45/00; B65D 1/22; B65D
2203/00; B65D 2543/00592

See application file for complete search history.

(56) **References Cited**

U.S. PATENT DOCUMENTS

D651,477 S *	1/2012	Nie	D7/629
D692,281 S *	10/2013	George	D7/629
D698,206 S *	1/2014	Molayem	D7/629
D763,629 S *	8/2016	Swartz	D7/629

* cited by examiner

Primary Examiner — Wan Laymon

Assistant Examiner — Mark Booker

(74) *Attorney, Agent, or Firm* — St. Onge Steward
Johnston & Reens, LLC

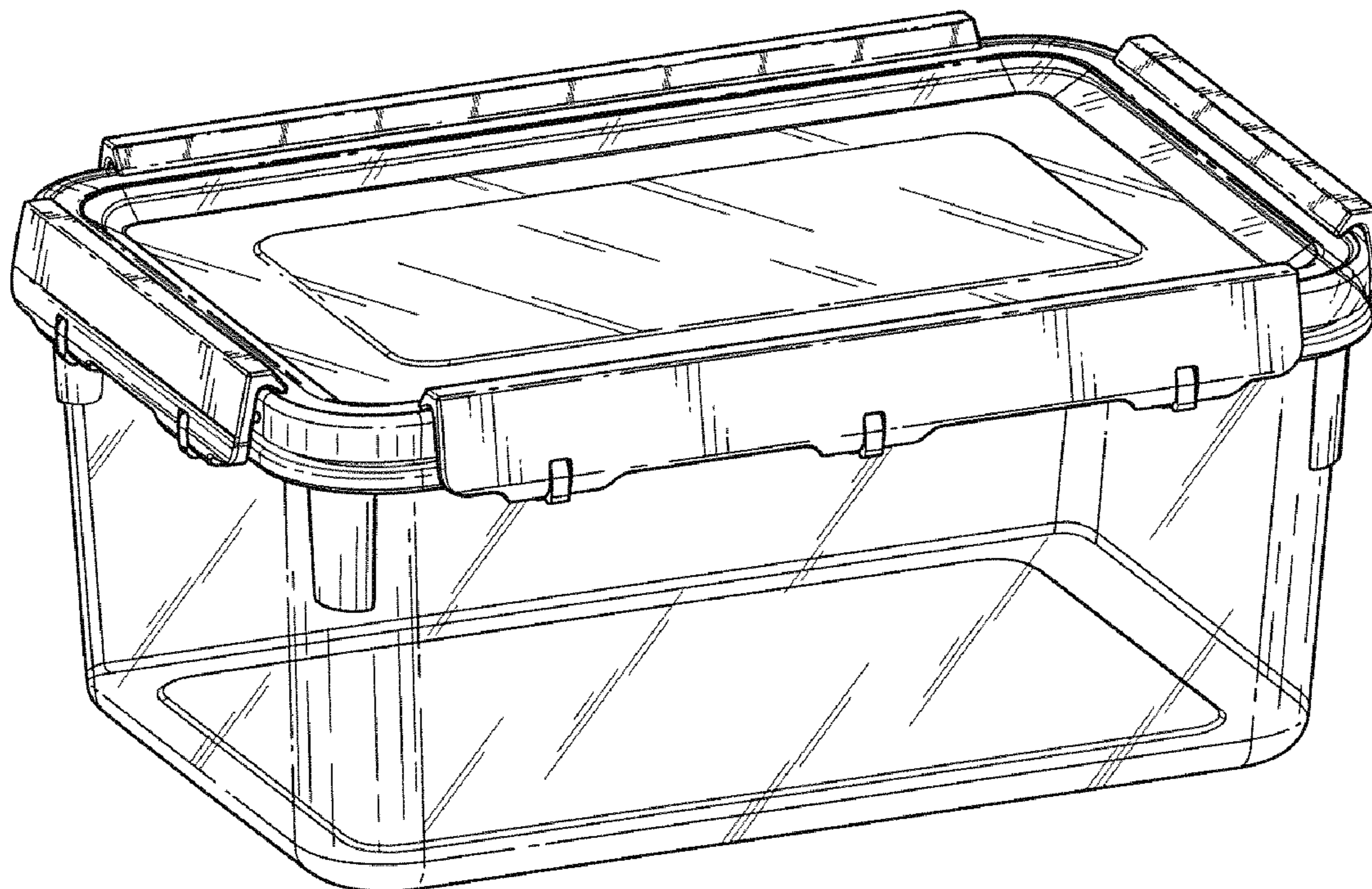
(57) **CLAIM**

The ornamental design for a container, as shown and described.

DESCRIPTION

FIG. 1 is a perspective view of the body of the container in accordance with the new design;
FIG. 2 is a front view thereof;
FIG. 3 is a rear view thereof;
FIG. 4 is a left view thereof;
FIG. 5 is a right view thereof;
FIG. 6 is a top view thereof; and,
FIG. 7 is a bottom view thereof.

1 Claim, 4 Drawing Sheets



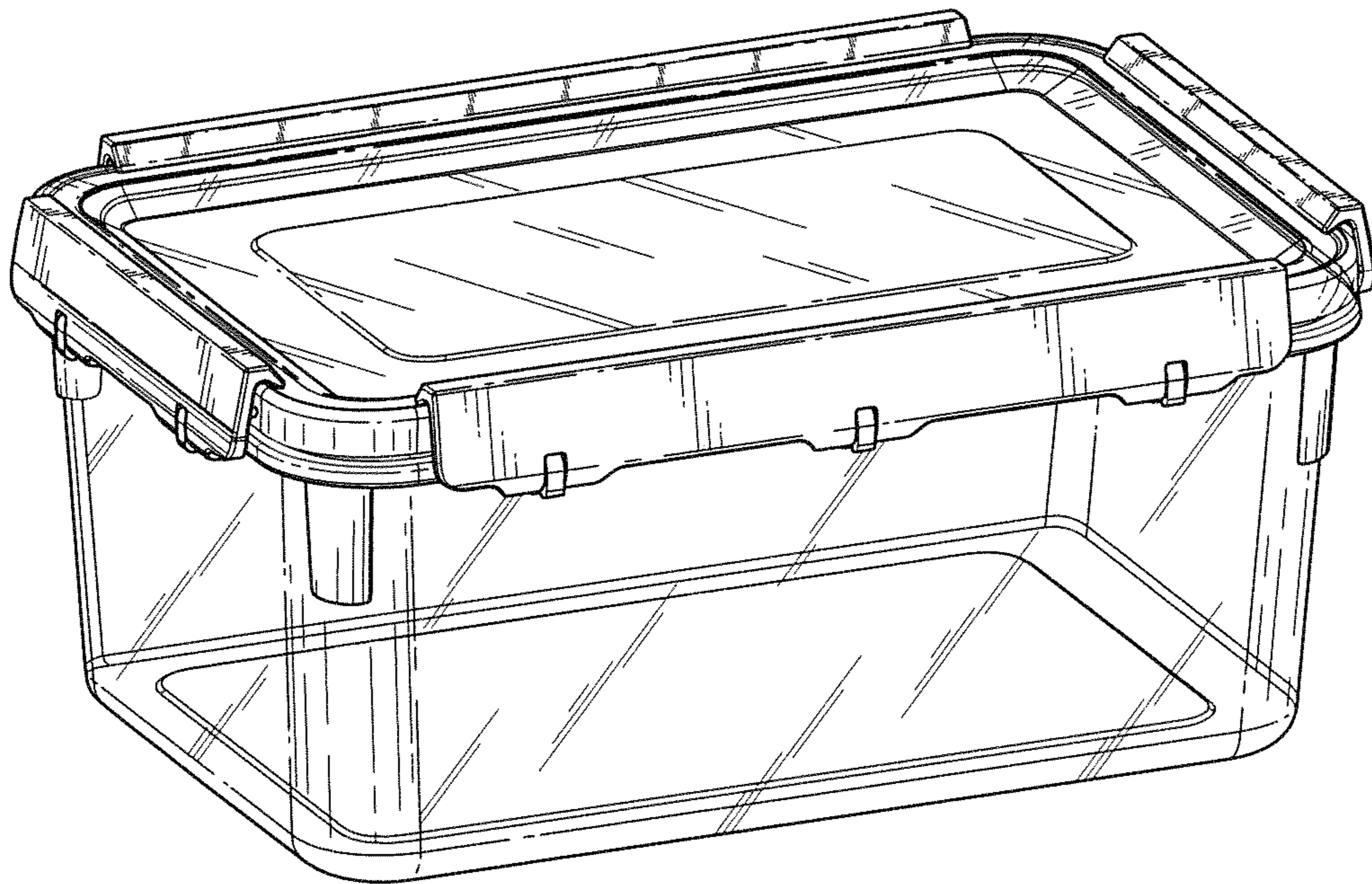


FIG. 1

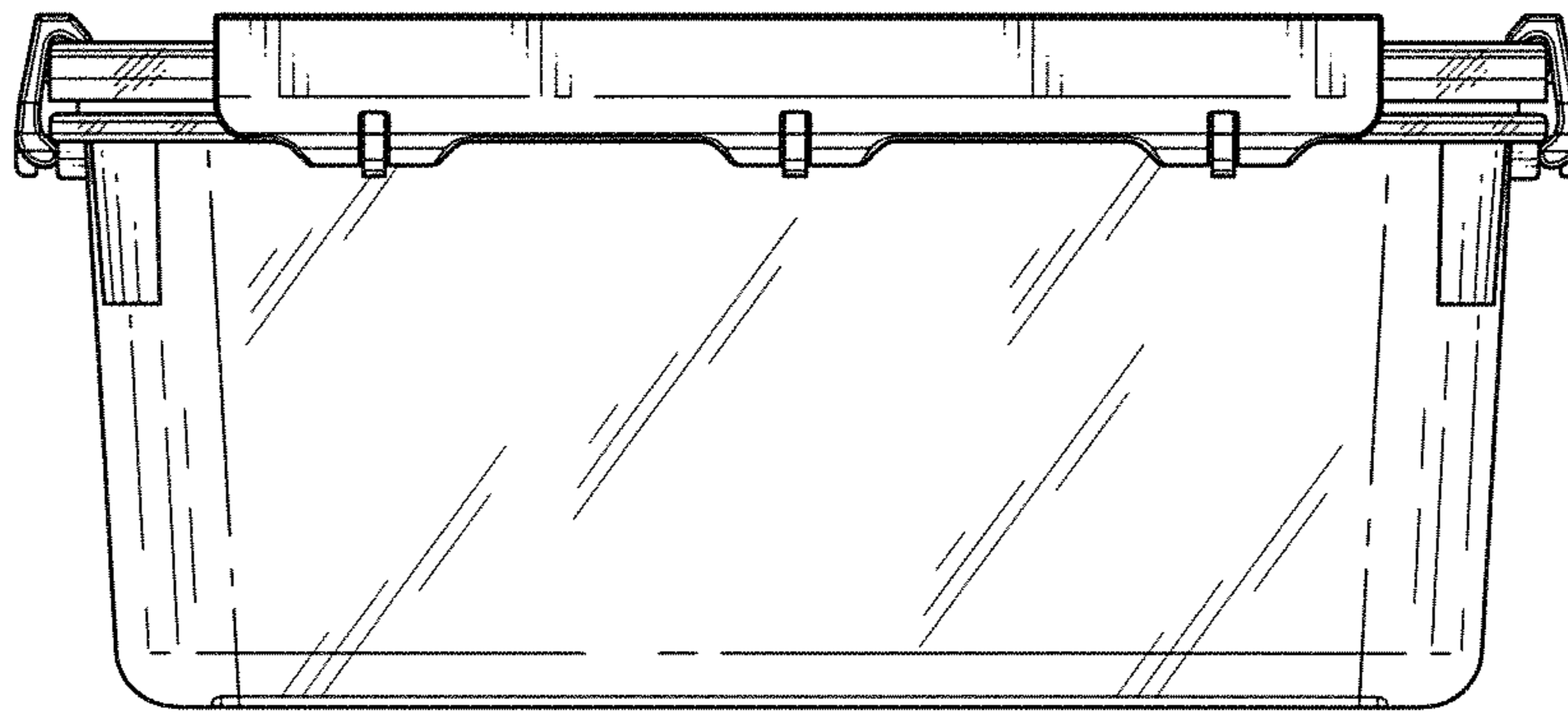


FIG. 2

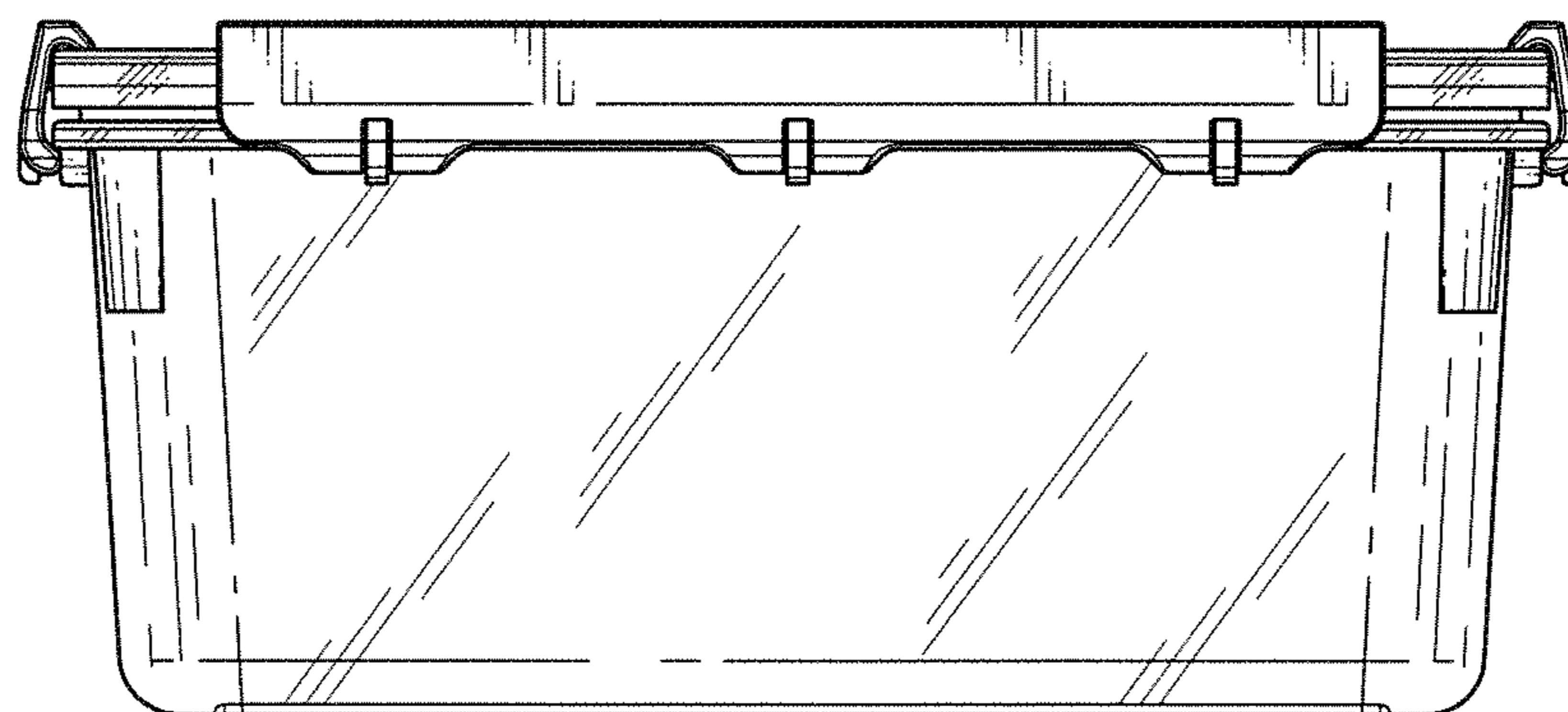


FIG. 3

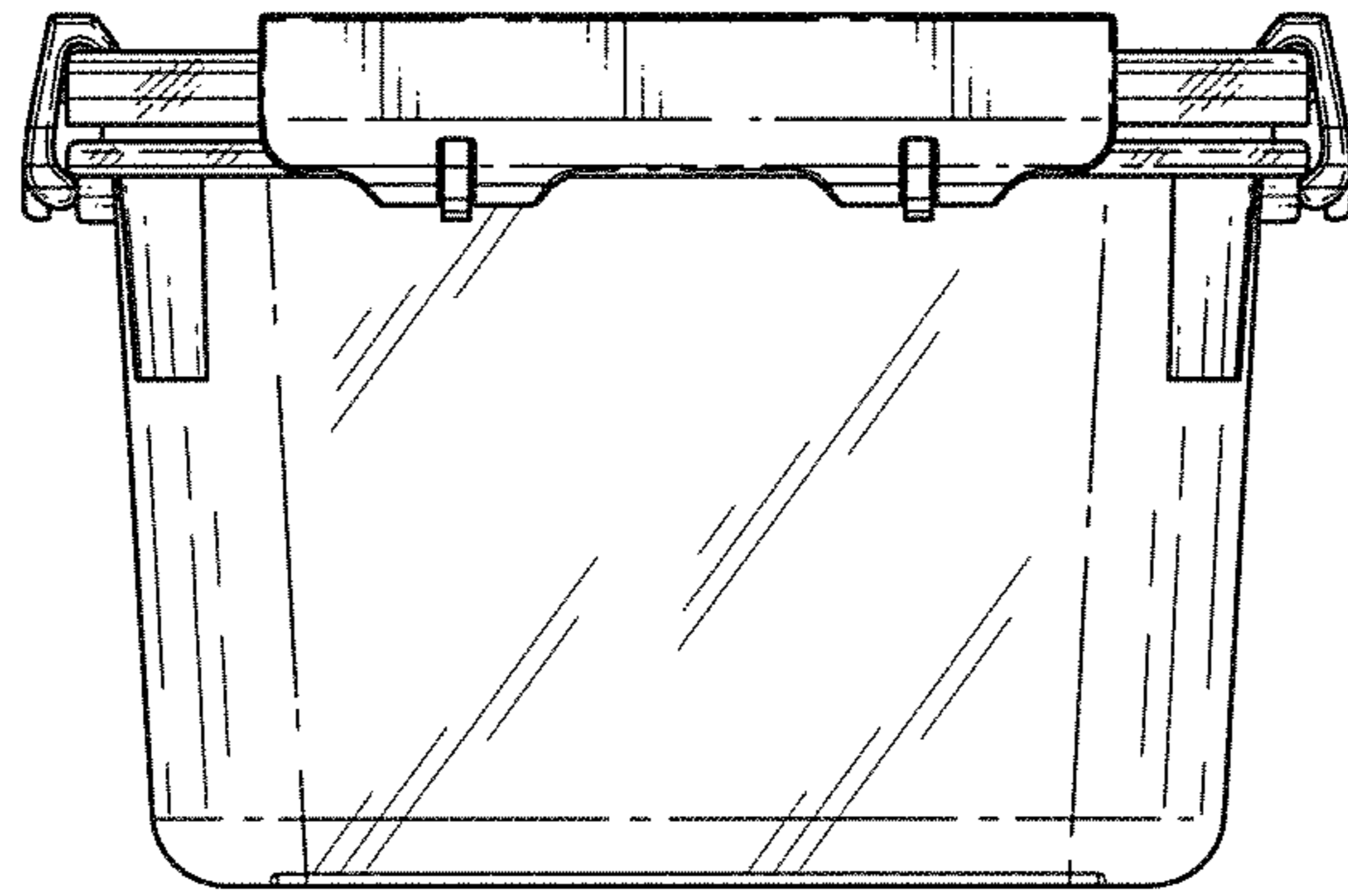


FIG. 4

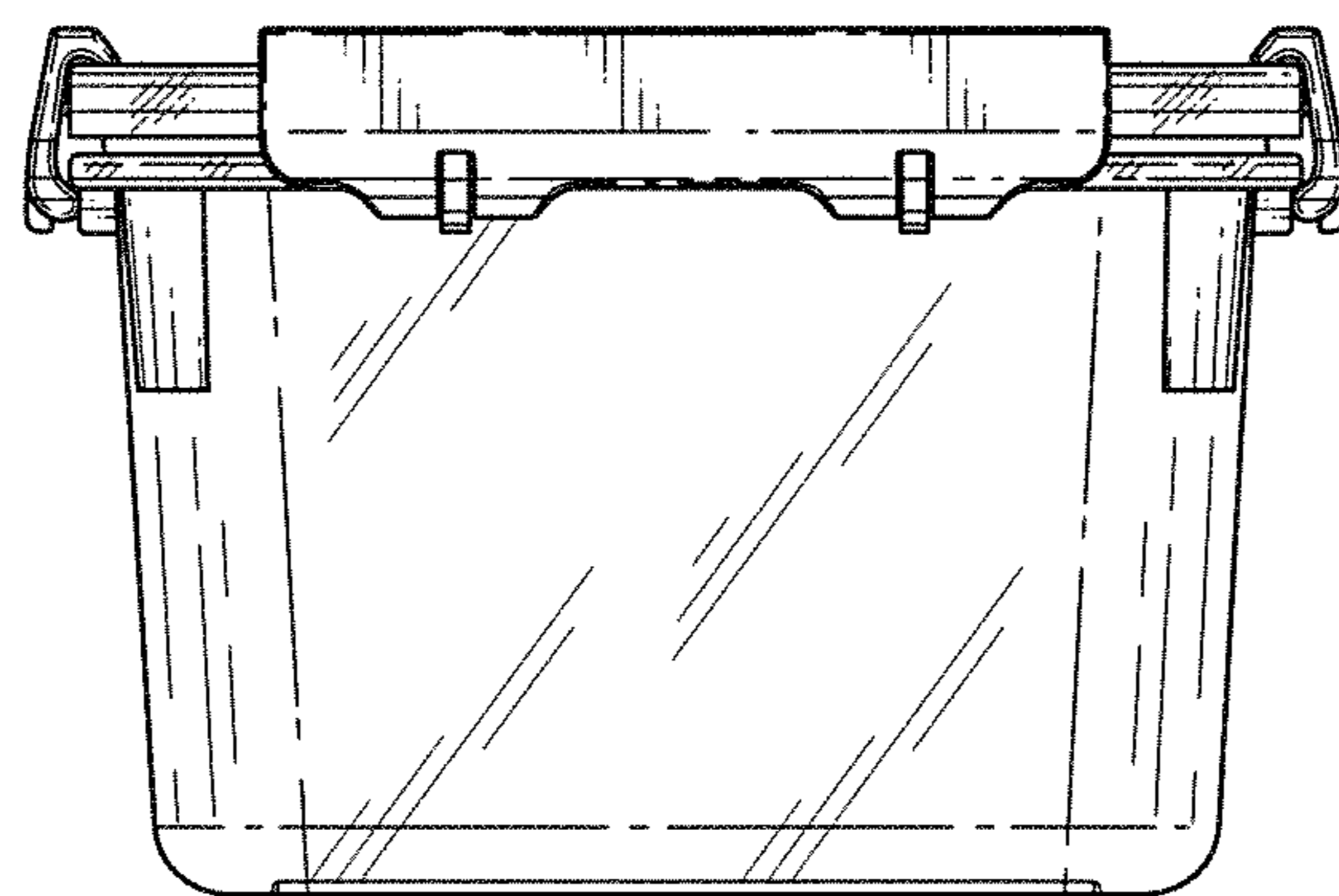


FIG. 5

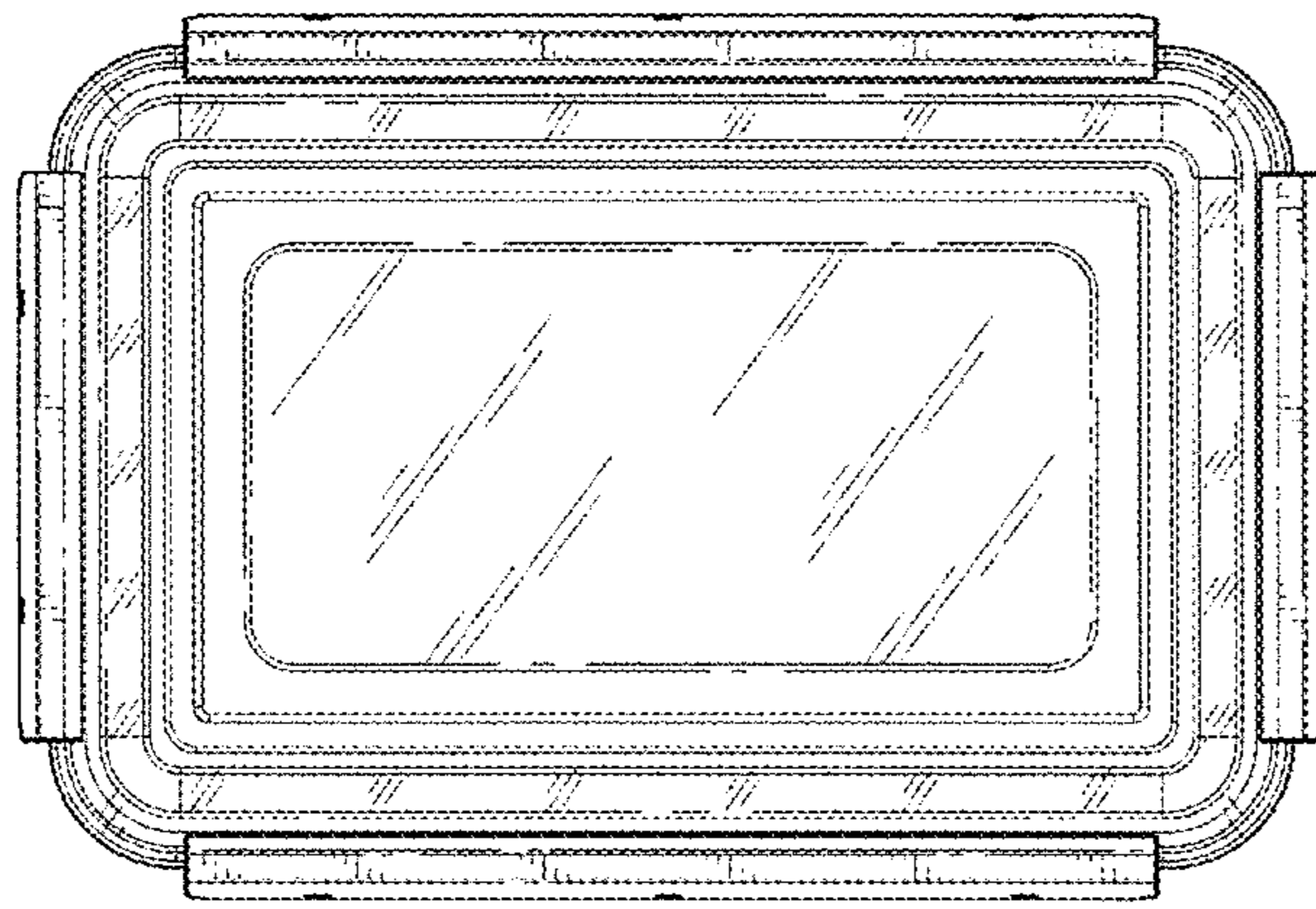


FIG. 6

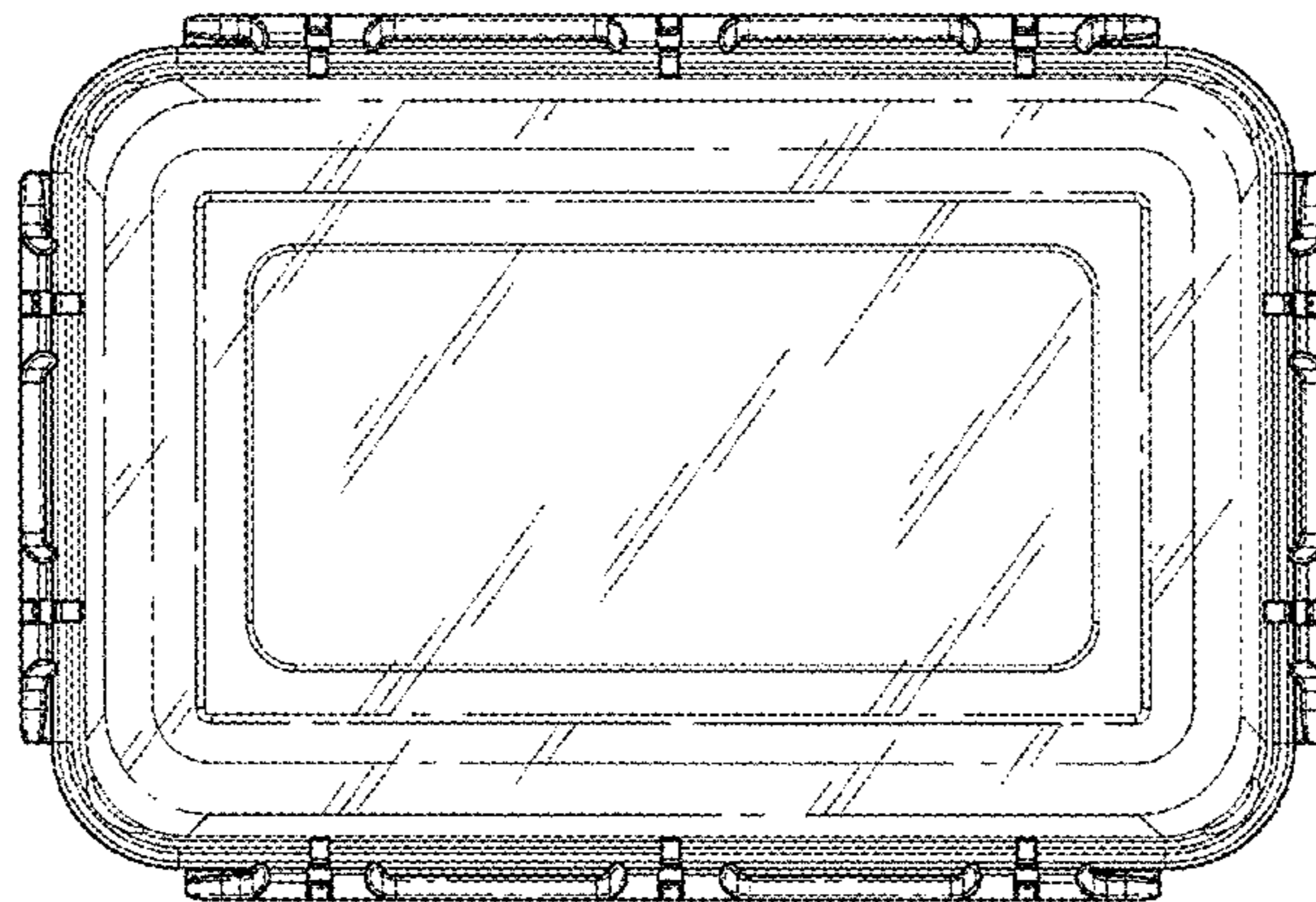


FIG. 7