



US00D803636S

(12) **United States Design Patent**
Kiefer et al.

(10) **Patent No.:** **US D803,636 S**

(45) **Date of Patent:** **** Nov. 28, 2017**

- (54) **CUP SLEEVE WITH COASTER**
- (71) Applicant: **Stax Innovations, LLC**, Chicago, IL (US)
- (72) Inventors: **Matthew Kiefer**, Chicago, IL (US);
Matthew Horney, Chicago, IL (US);
Christopher D. Sweet, Chicago, IL (US)
- (73) Assignee: **STAX INNOVATIONS, LLC**, Chicago, IL (US)
- (**) Term: **15 Years**
- (21) Appl. No.: **29/560,097**
- (22) Filed: **Apr. 2, 2016**
- (51) **LOC (10) Cl.** **07-06**
- (52) **U.S. Cl.**
USPC **D7/624.2**
- (58) **Field of Classification Search**
USPC D7/619.1-625, 605-608; D9/444
CPC A47G 23/0216; A47G 23/032; B65D 5/0281; B65D 5/3628; B65D 81/3886; B65D 81/3858; B65D 81/3876
See application file for complete search history.

(56) **References Cited**

U.S. PATENT DOCUMENTS

- 1,917,953 A * 7/1933 Davis A47G 23/032
215/394
- 2,323,288 A 7/1943 Amberg
- 4,146,169 A 3/1979 Meyers et al.
- 5,050,775 A 9/1991 Marquardt
- 5,169,025 A * 12/1992 Guo B65D 81/3876
215/12.1
- 5,222,656 A * 6/1993 Carlson A47G 23/0216
220/738

- 5,425,497 A * 6/1995 Sorensen A47G 23/0216
220/738
- 5,445,315 A * 8/1995 Shelby B65D 5/3628
220/592.17
- D362,789 S * 10/1995 Sutton D7/607

(Continued)

Primary Examiner — Terry A Wallace

(74) *Attorney, Agent, or Firm* — Rathe Lindenbaum LLP

(57) **CLAIM**

We claim the ornamental design for a cup sleeve with coaster, as shown and described.

DESCRIPTION

This application is filed on the same date as a utility application entitled cup sleeve with coaster having Ser. No. 15/089,535.

FIG. 1 is a plan view of a cup sleeve with coaster in a first non-use orientation.

FIG. 2 is a top isometric view of the cup sleeve with coaster of FIG. 1 in an in-use orientation.

FIG. 3 is a bottom isometric view of the cup sleeve of FIG. 2.

FIG. 4 is a front view of cup sleeve with coaster of FIG. 2.

FIG. 5 is a rear view of the cup sleeve with coaster of FIG. 2.

FIG. 6 is a left view of the cup sleeve with coaster of FIG. 2.

FIG. 7 is a right view of the cup sleeve with coaster of FIG. 2.

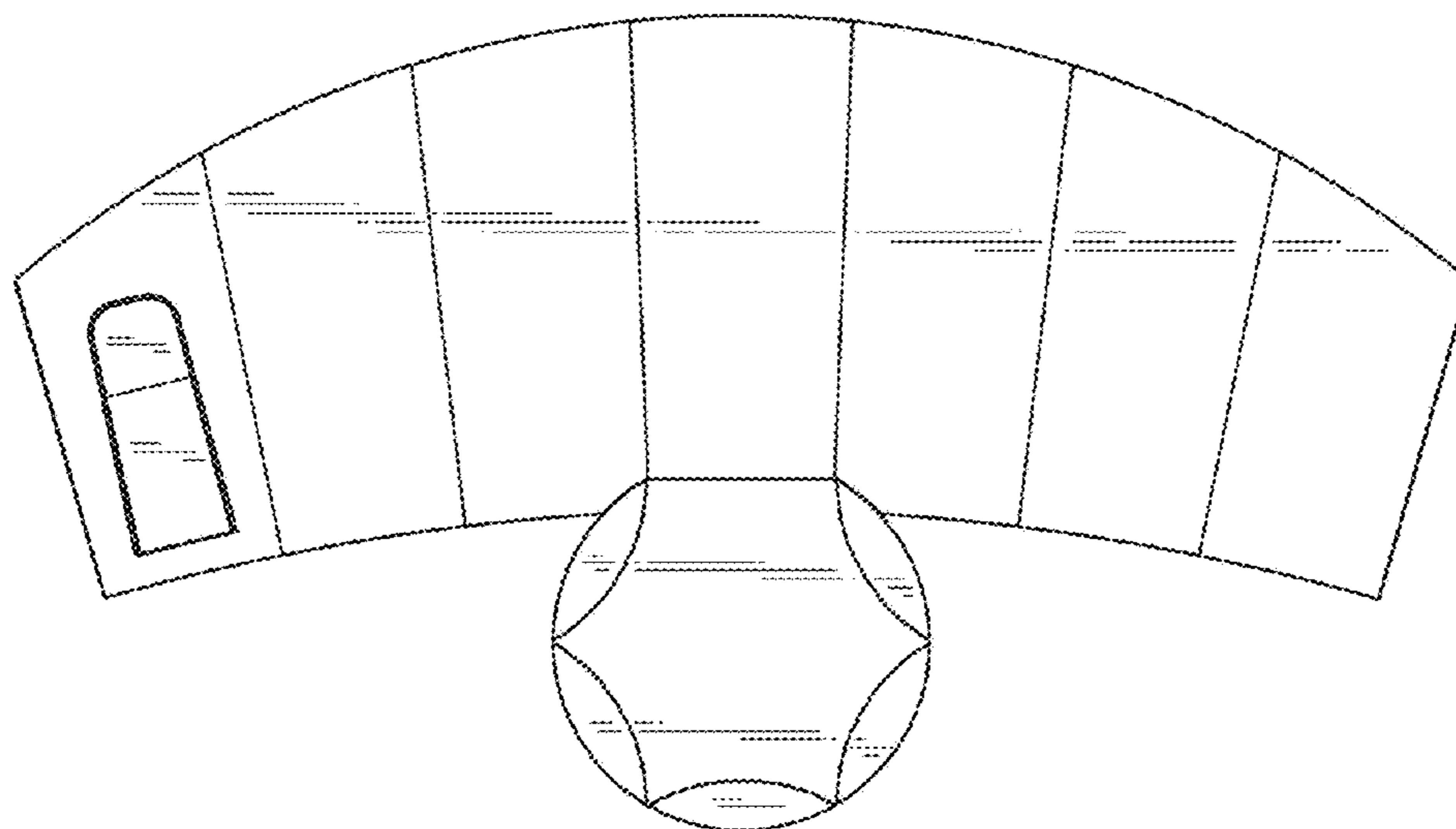
FIG. 8 is a top view of the cup sleeve with coaster of FIG. 2.

FIG. 9 is a bottom view of the cup sleeve with coaster of FIG. 2; and,

FIG. 10 is an isometric view of the cup sleeve with coaster of FIG. 2 when a conical member is inserted therein.

The ornamental design which is claimed is shown in solid lines in the drawings. The dashed lines showing environment and form no part of the claimed design.

1 Claim, 4 Drawing Sheets



(56)

References Cited

U.S. PATENT DOCUMENTS

5,492,269 A * 2/1996 Sung B65D 5/3628
229/117.06
5,857,615 A * 1/1999 Rose A47G 23/0216
220/737
D411,079 S * 6/1999 Graham D7/624.2
6,026,983 A * 2/2000 Graham A47G 23/0216
220/738
6,286,709 B1 * 9/2001 Hudson B65D 81/3874
220/739
6,412,686 B1 * 7/2002 Mahl B65D 5/0281
220/738
6,601,728 B1 * 8/2003 Newkirk A47G 23/0216
220/739
D662,784 S * 7/2012 Fleck D7/607
D741,662 S * 10/2015 Steel D7/607

* cited by examiner

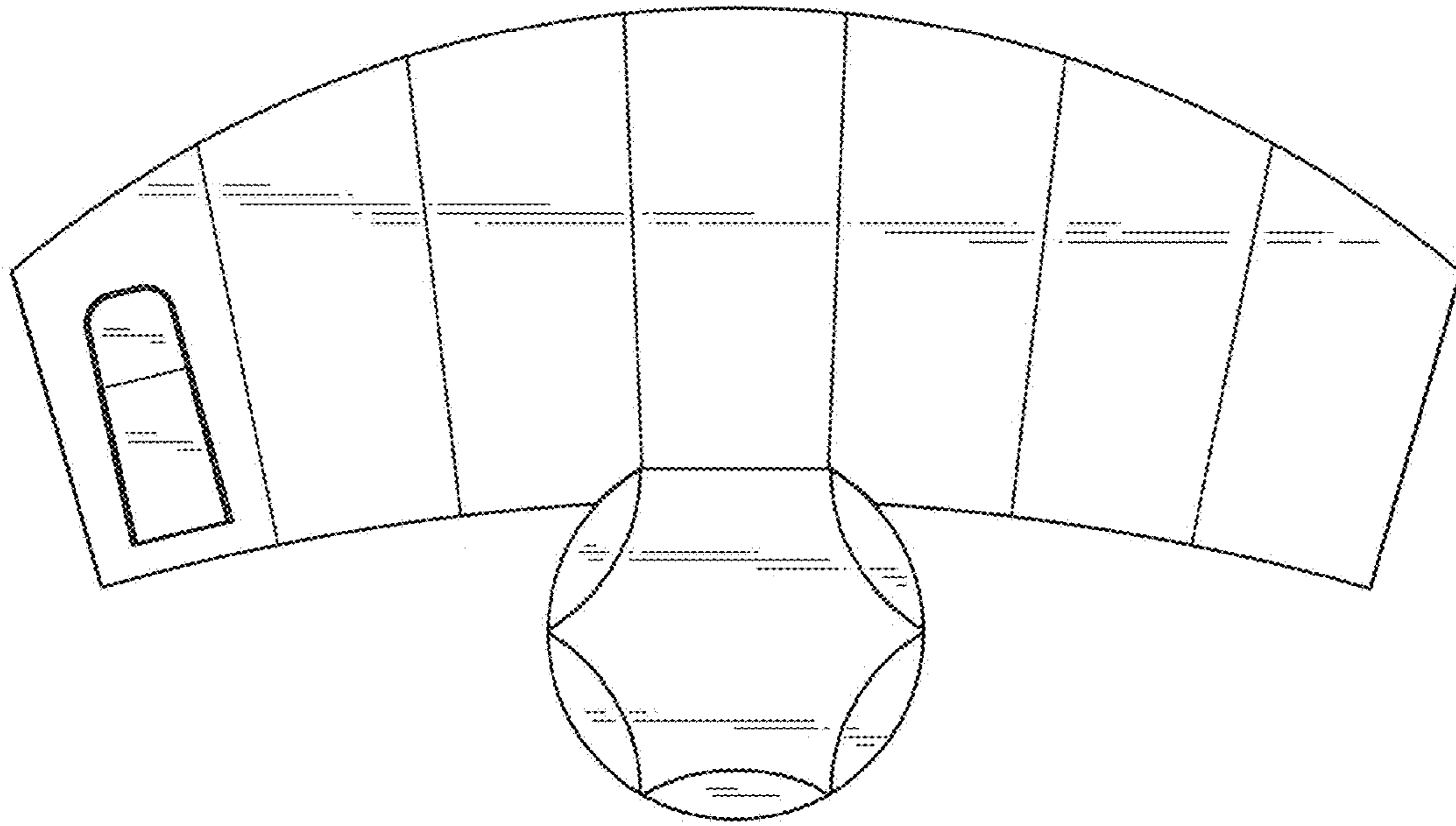


FIG. 1

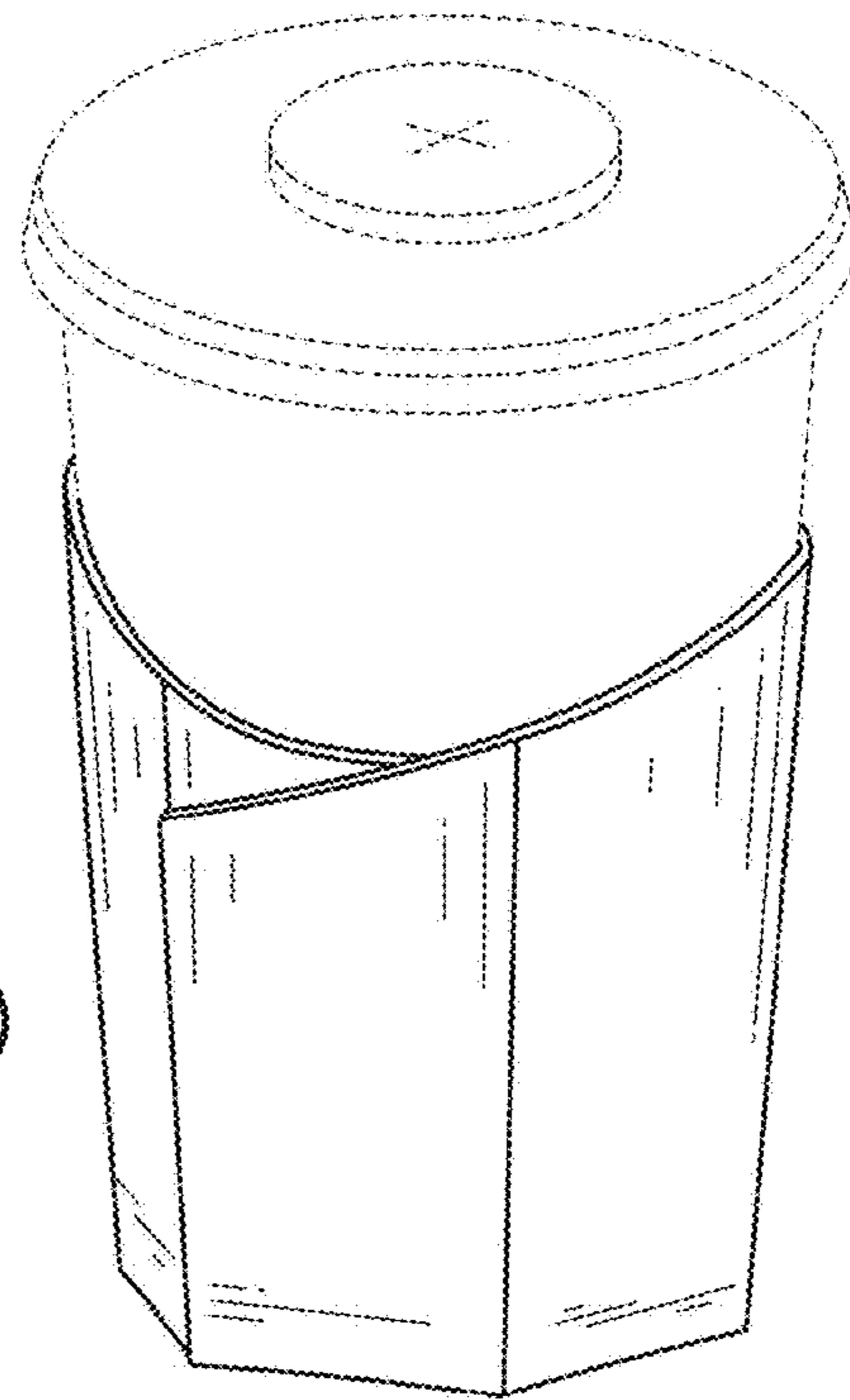


FIG. 10

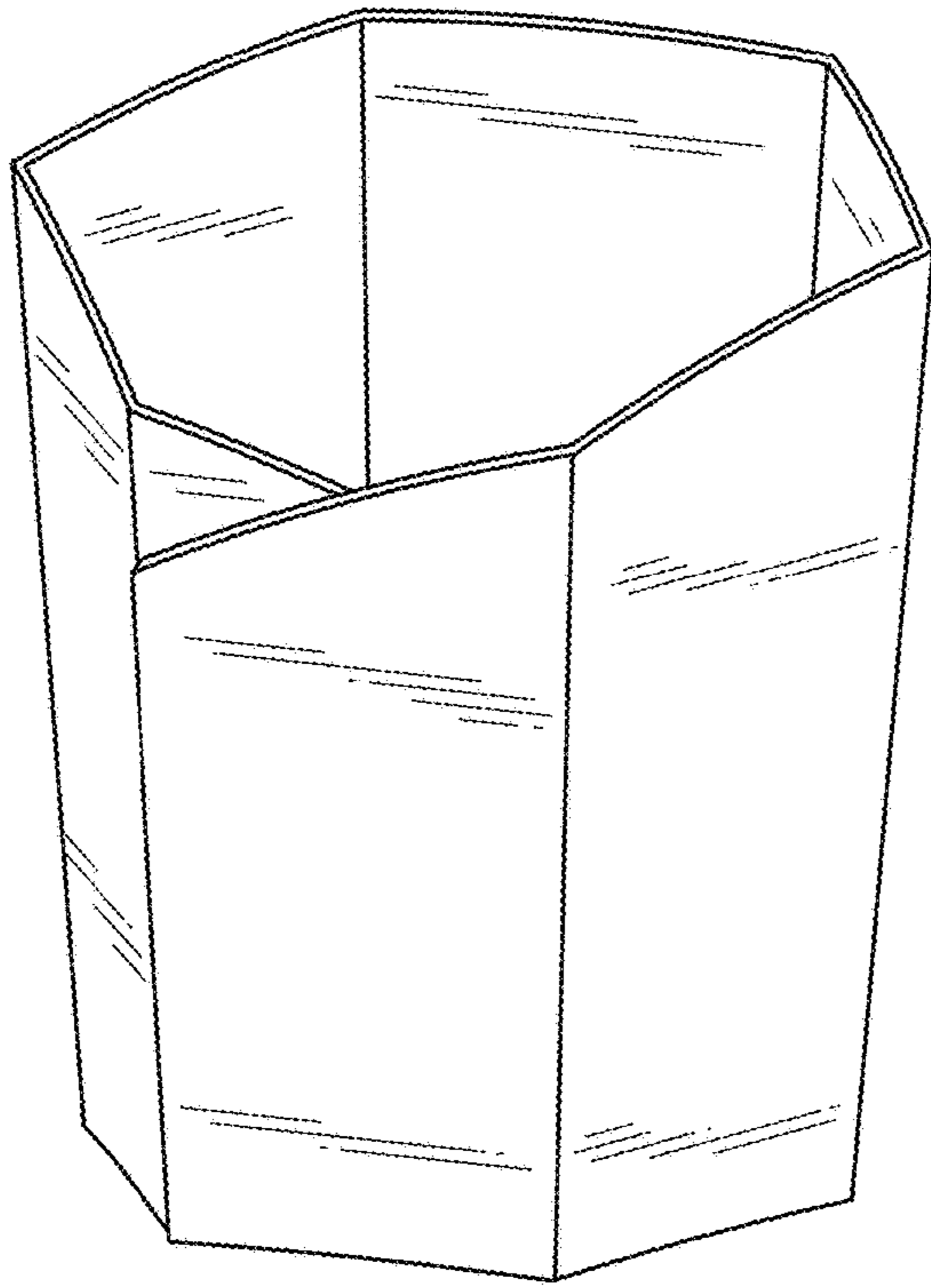


FIG. 2

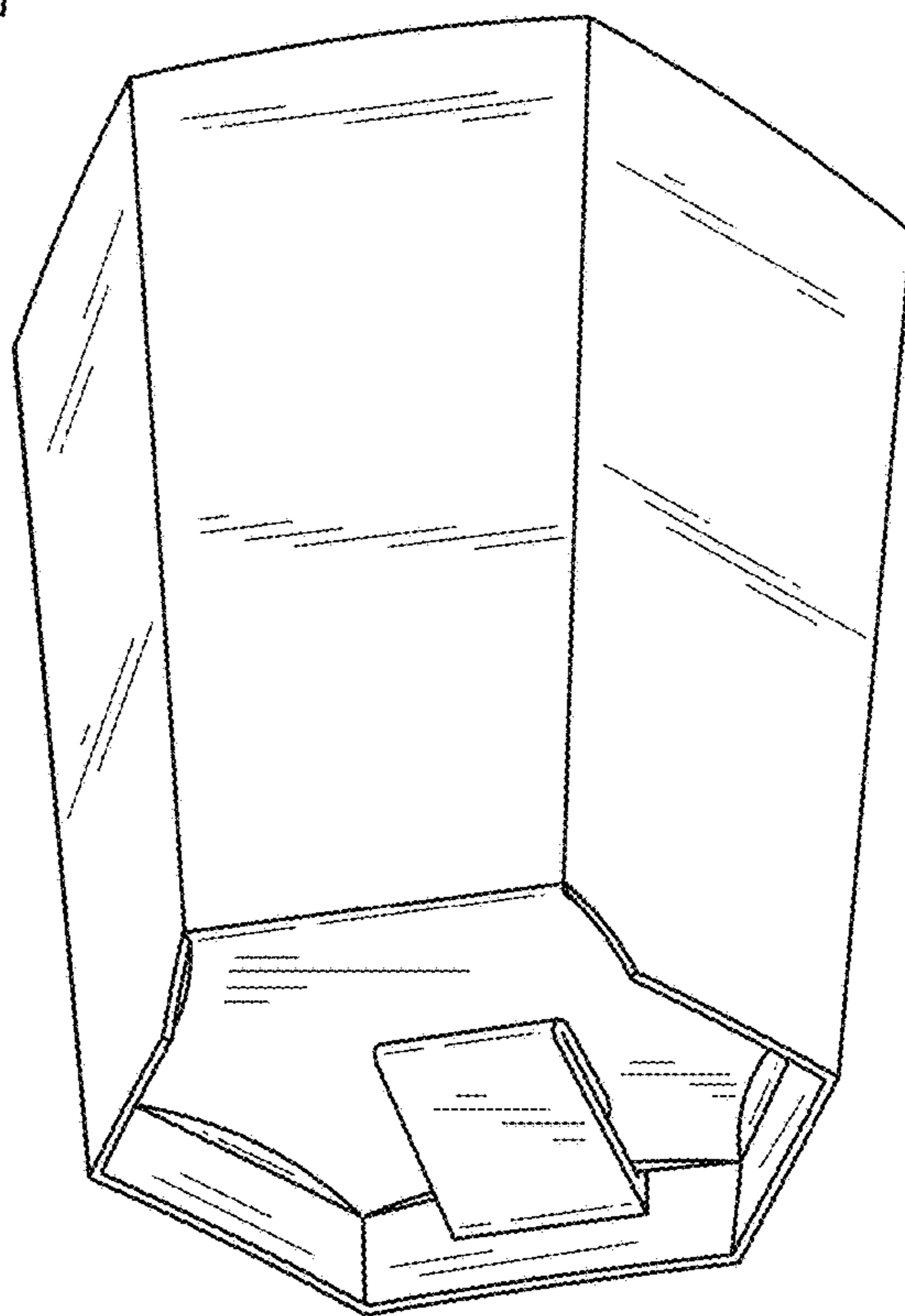


FIG. 3

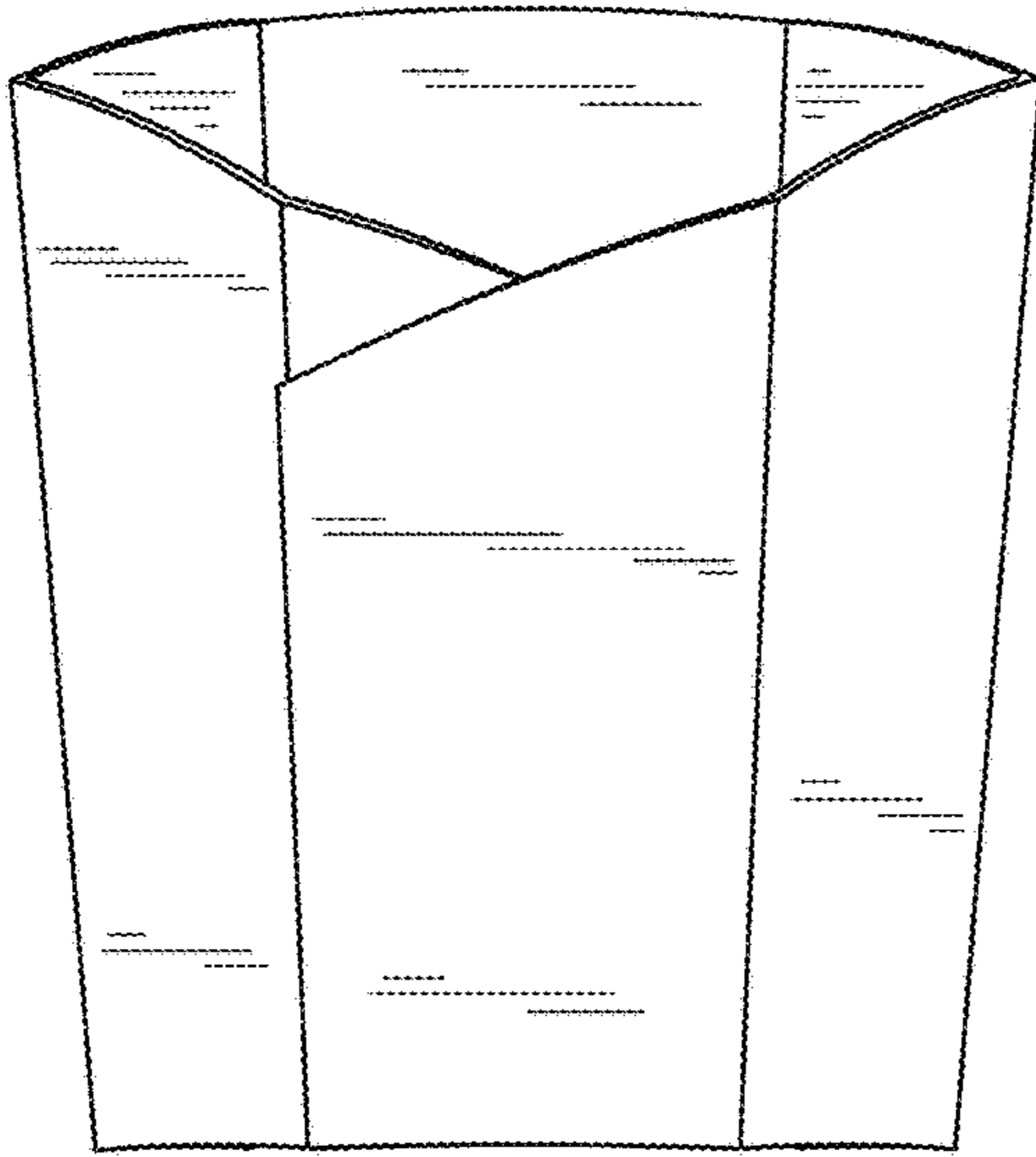


FIG. 4

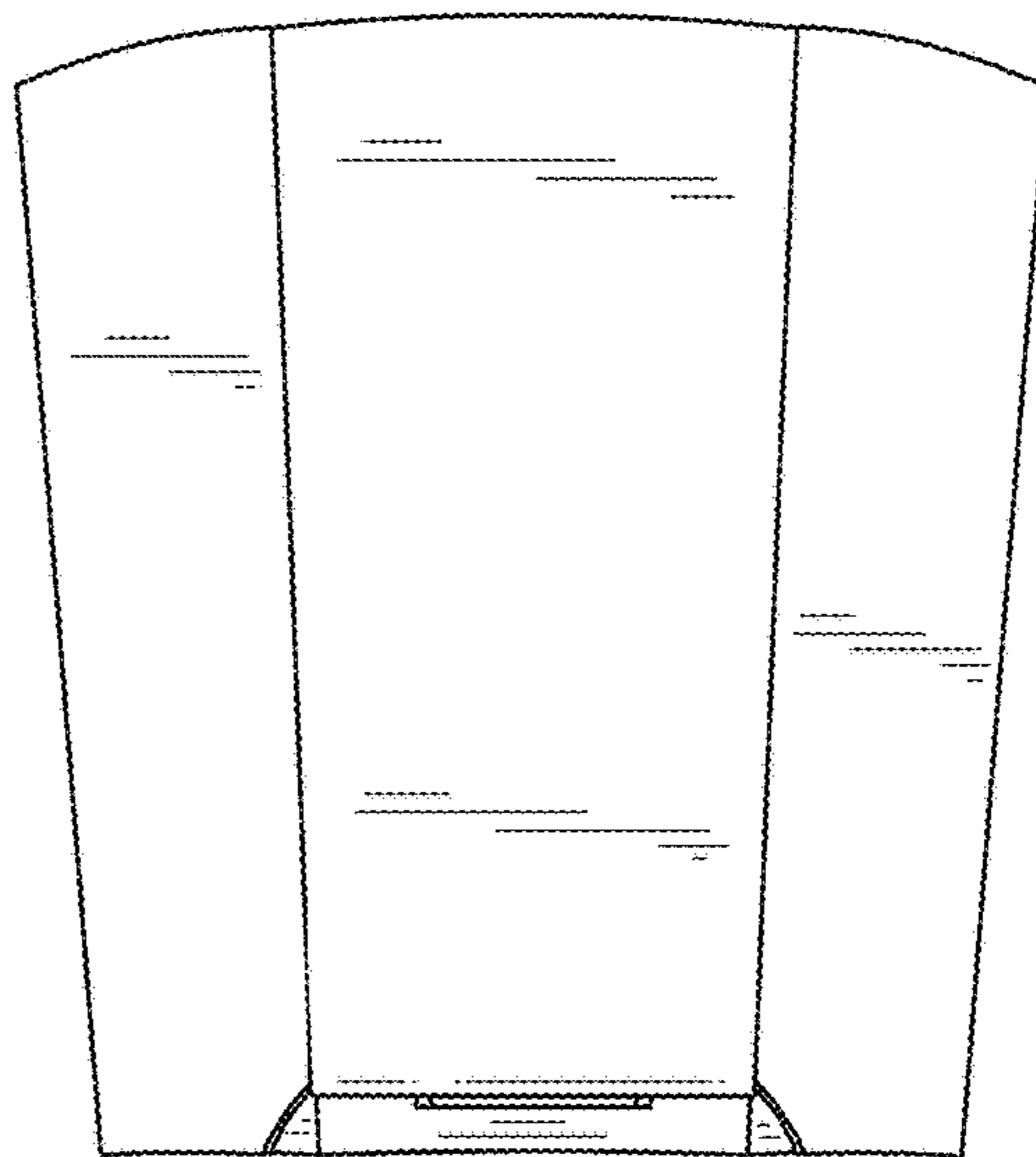


FIG. 5

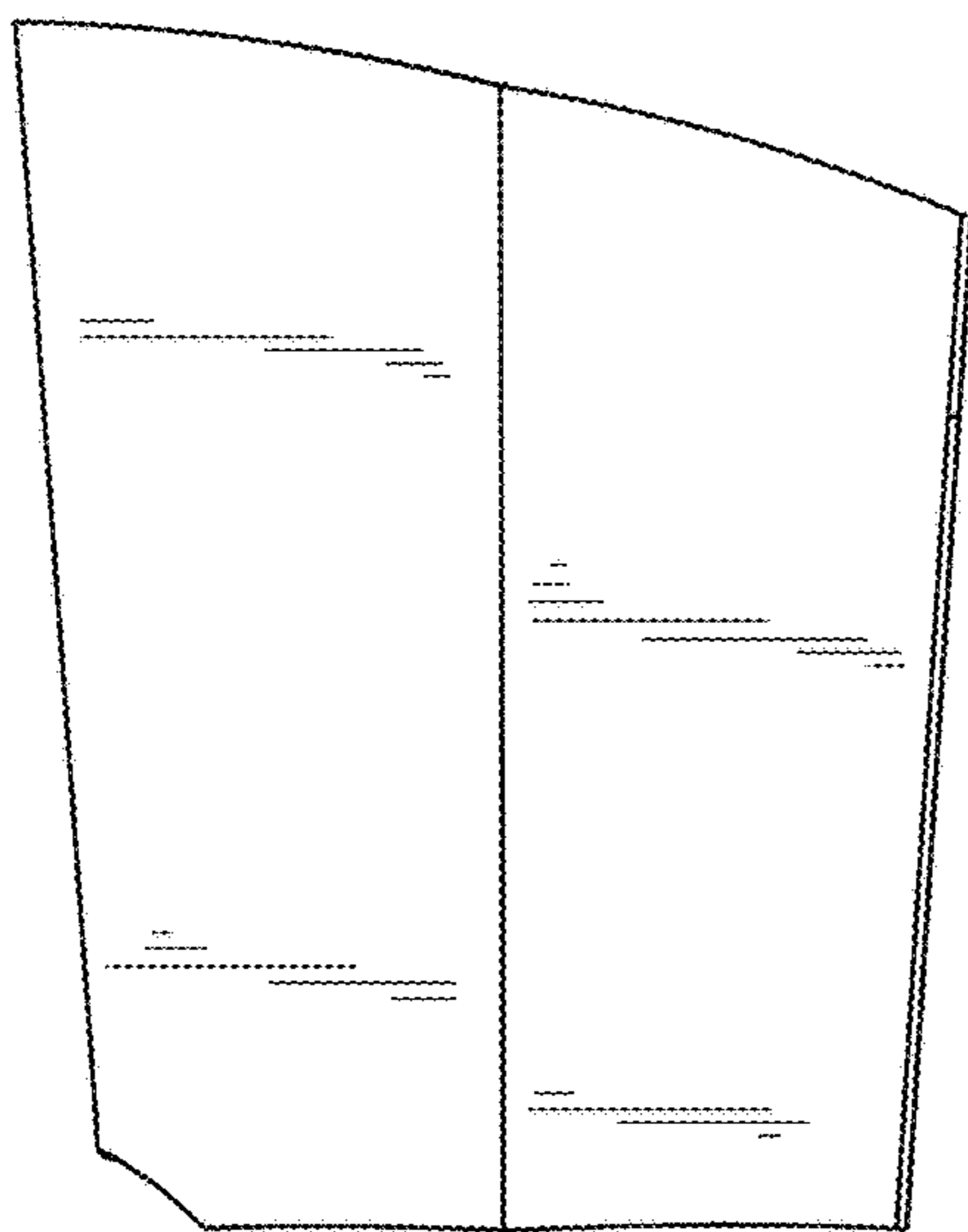


FIG. 6

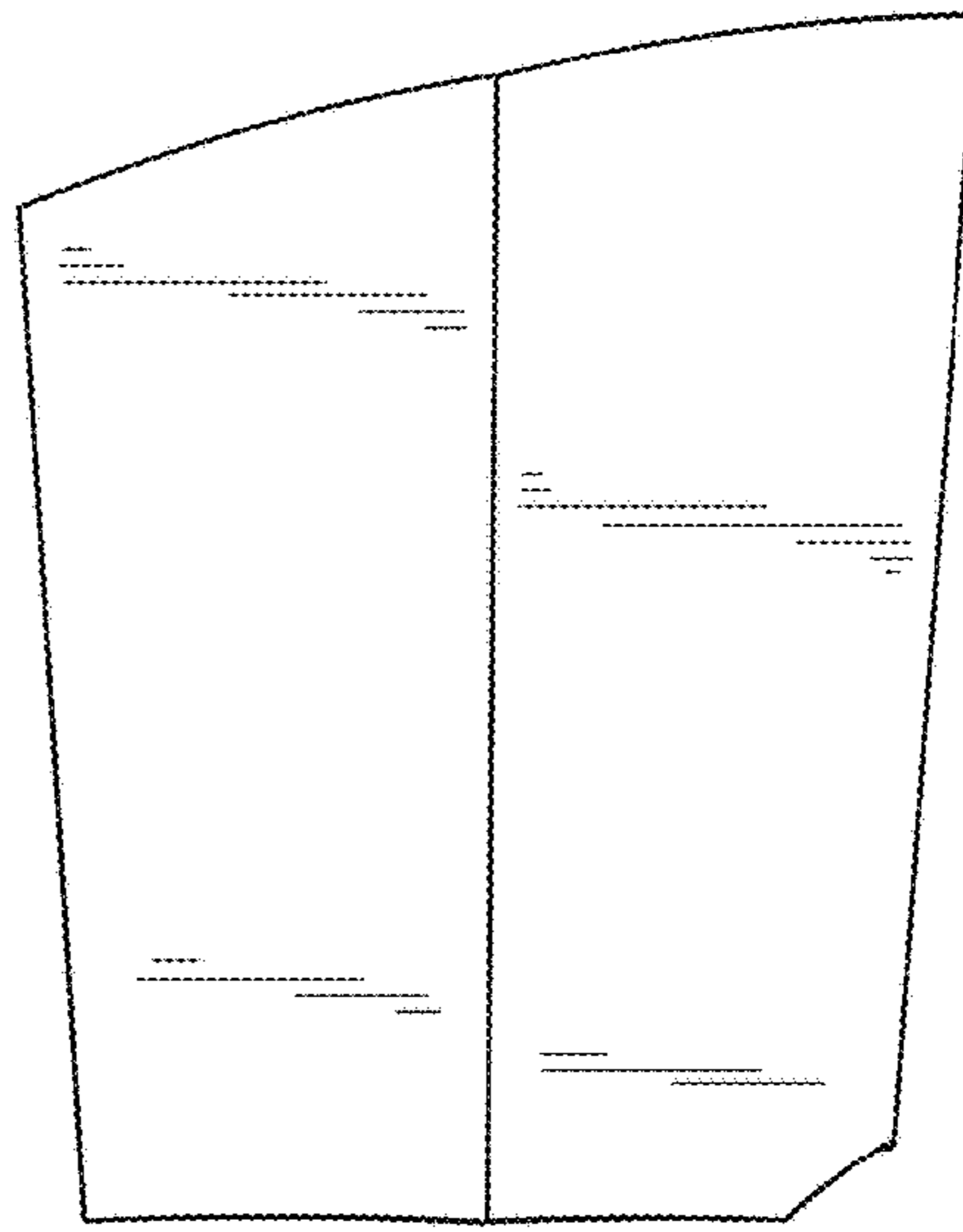


FIG. 7

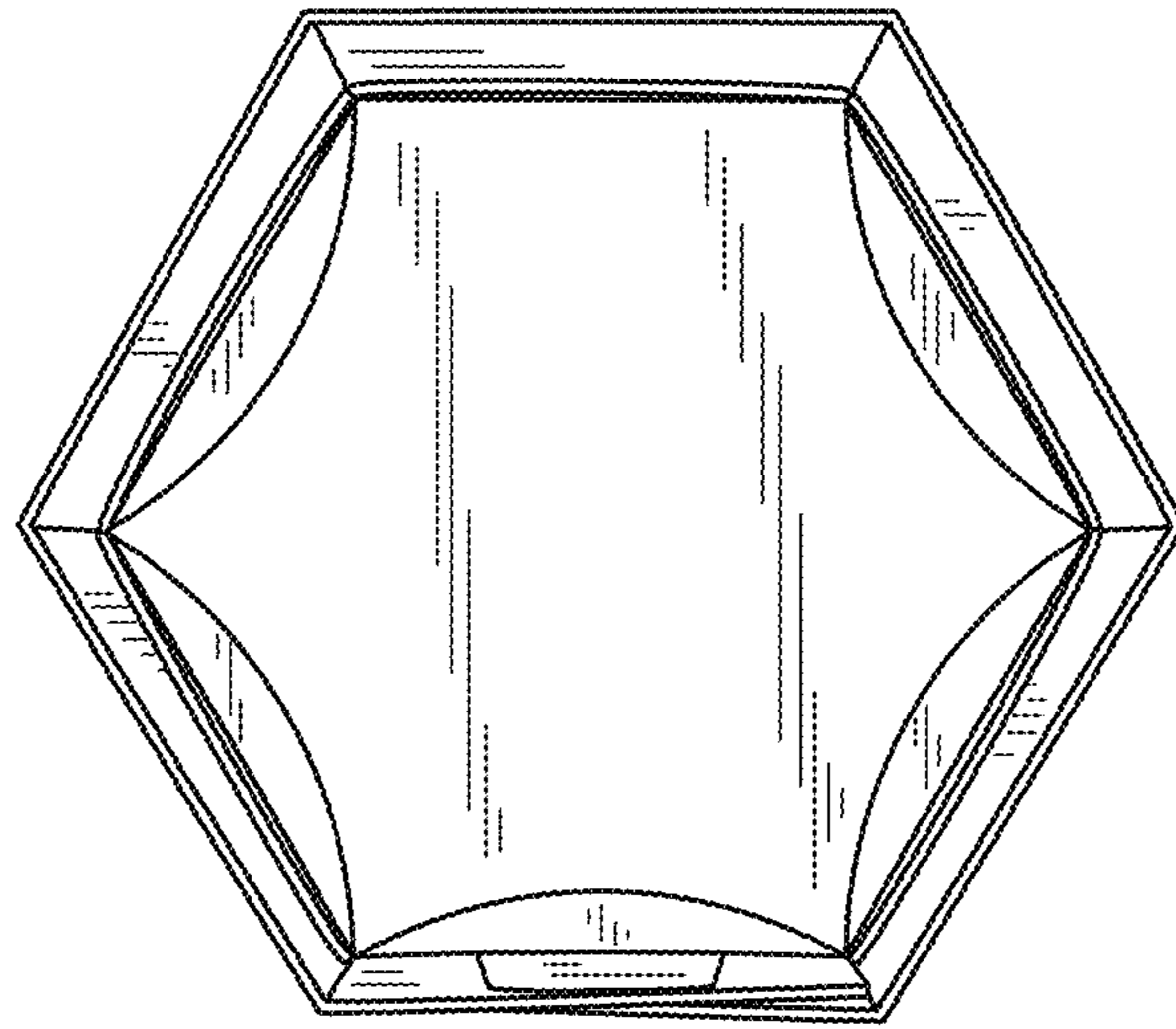


FIG. 8

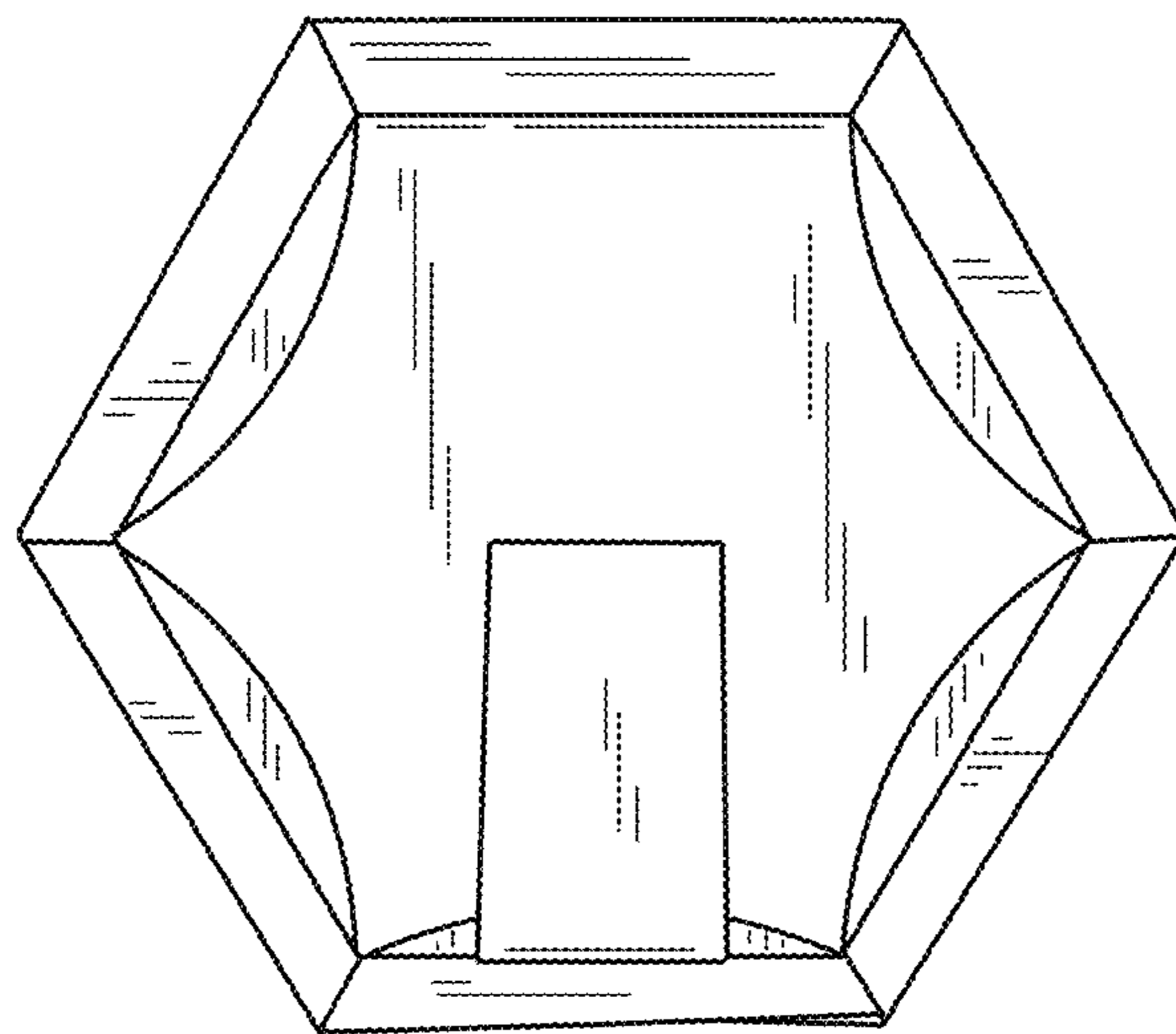


FIG. 9