



US00D803635S

(12) **United States Design Patent** (10) **Patent No.:** **US D803,635 S**  
**de Guzman** (45) **Date of Patent:** **\*\* Nov. 28, 2017**

(54) **CUP SLEEVE WITH POCKET**

FOREIGN PATENT DOCUMENTS

(71) Applicant: **Arnold Moises de Guzman**, Santa Barbara, CA (US)

KR 101 613 402 B1 4/2016  
WO WO 2011/063836 A1 6/2011

(72) Inventor: **Arnold Moises de Guzman**, Santa Barbara, CA (US)

OTHER PUBLICATIONS

(\*\*) Term: **15 Years**

NPL1: Communication (Extended European Search Report) dated Jan. 26, 2017 for European Patent Application No. 16188214.7-1653 by Applicant Arnold M. De Guzman.

(21) Appl. No.: **29/556,587**

*Primary Examiner* — Terry Wallace

(22) Filed: **Mar. 1, 2016**

(57) **CLAIM**

**Related U.S. Application Data**

The ornamental design for a cup sleeve with pocket, as shown and described.

(63) Continuation-in-part of application No. 15/058,107, filed on Mar. 11, 2016.

**DESCRIPTION**

(51) **LOC (10) Cl.** ..... **07-06**

FIG. 1 is a left side perspective view of a cup sleeve with pocket showing my new design.

(52) **U.S. Cl.**

FIG. 2 is a side perspective view of FIG. 1 in an alternate position.

USPC ..... **D7/624.2**

FIG. 3 is a right side perspective view of FIG. 1.

(58) **Field of Classification Search**

USPC ..... D7/619.1-625, 701-708, 605-608

FIG. 4 is a rear perspective view of FIG. 1.

CPC .. B65D 81/3874; B65D 81/3886; B65D 3/22;

FIG. 5 is a front perspective view of FIG. 1.

A47G 23/0216; A47G 23/02; B60N

FIG. 6 is a left side elevation view of FIG. 1.

3/102; F17C 13/001; F25D 3/08

FIG. 7 is a left side elevation view of FIG. 2.

See application file for complete search history.

FIG. 8 is a right side elevation view of FIG. 1.

(56) **References Cited**

FIG. 9 is a rear elevation view of FIG. 1.

**U.S. PATENT DOCUMENTS**

FIG. 10 is a front elevation view of FIG. 1.

2,920,804 A 1/1969 Minton

FIG. 11 is a top plan view of FIG. 1.

5,109,588 A 5/1992 Hewlett et al.

FIG. 12 is a top plan view of FIG. 2.

5,205,473 A \* 4/1993 Coffin, Sr. .... B65D 3/22

FIG. 13 is a bottom plan view of FIG. 1.

206/813

5,222,656 A \* 6/1993 Carlson ..... A47G 23/0216

FIG. 14 is a top plan view of FIG. 1.

220/738

5,425,497 A \* 6/1995 Sorensen ..... A47G 23/0216

FIG. 15 is a left side view of FIG. 1.

220/738

D399,707 S \* 10/1998 Villarreal, Jr. .... D7/607

FIG. 16 is a right side view of FIG. 1; and,

5,857,615 A \* 1/1999 Rose ..... A47G 23/0216

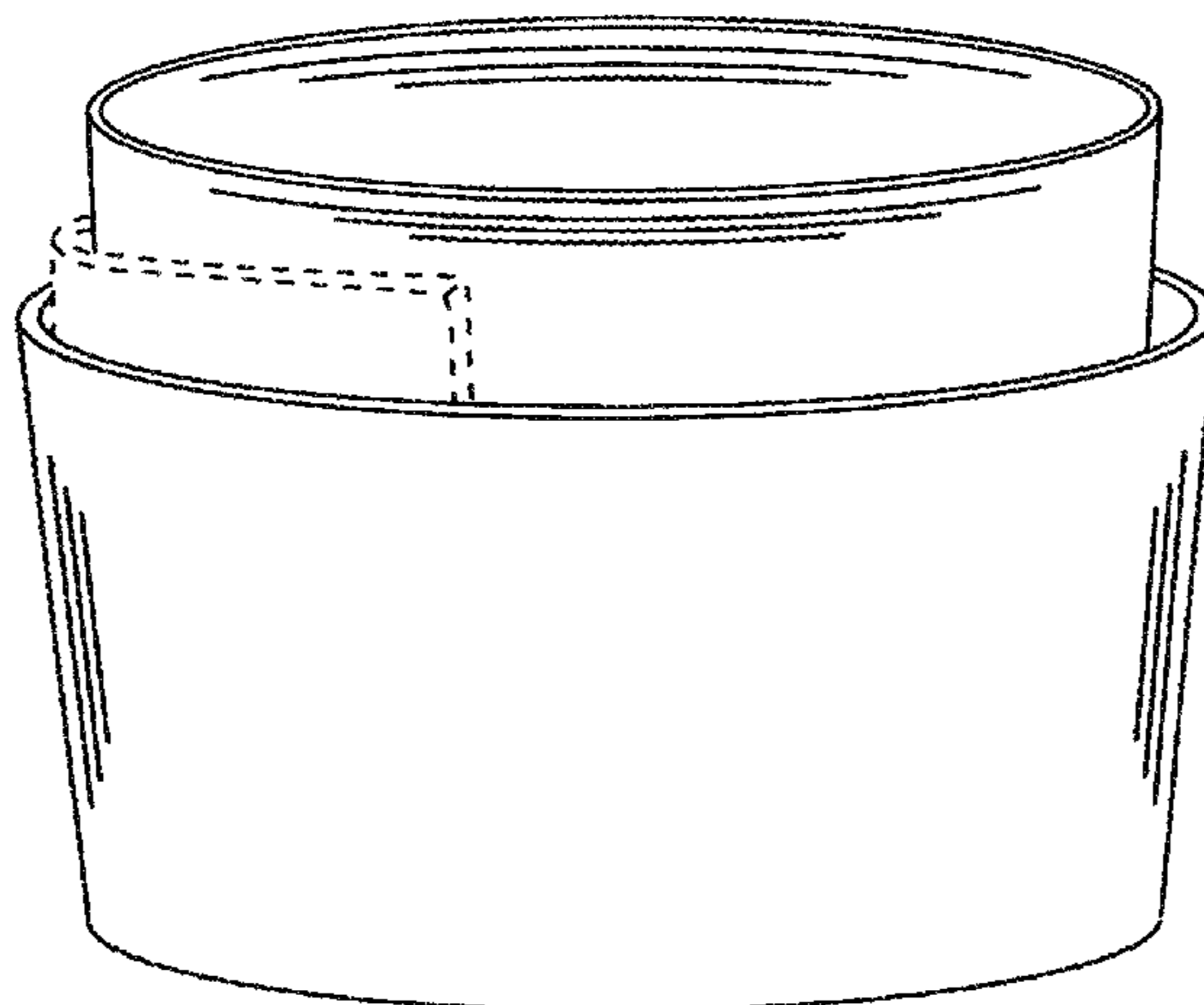
FIG. 17 is a cross section view taken along line 17-17 of FIG. 14.

220/737

The broken lines are for illustrative purposes only and form no part of the claimed design.

(Continued)

**1 Claim, 17 Drawing Sheets**



(56)

**References Cited**

U.S. PATENT DOCUMENTS

6,286,709 B1 \* 9/2001 Hudson ..... B65D 81/3874  
220/739

\* cited by examiner

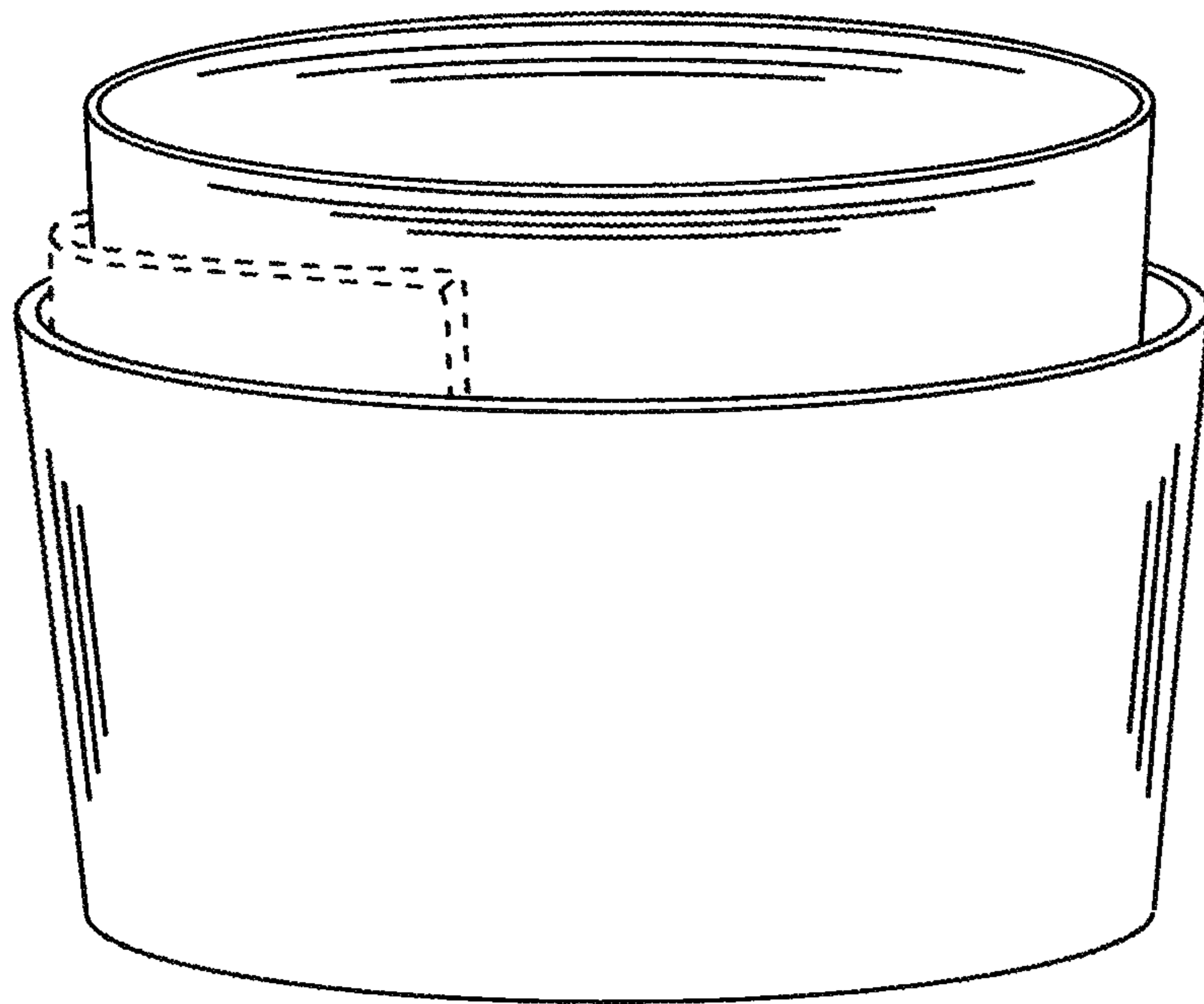


Figure 1

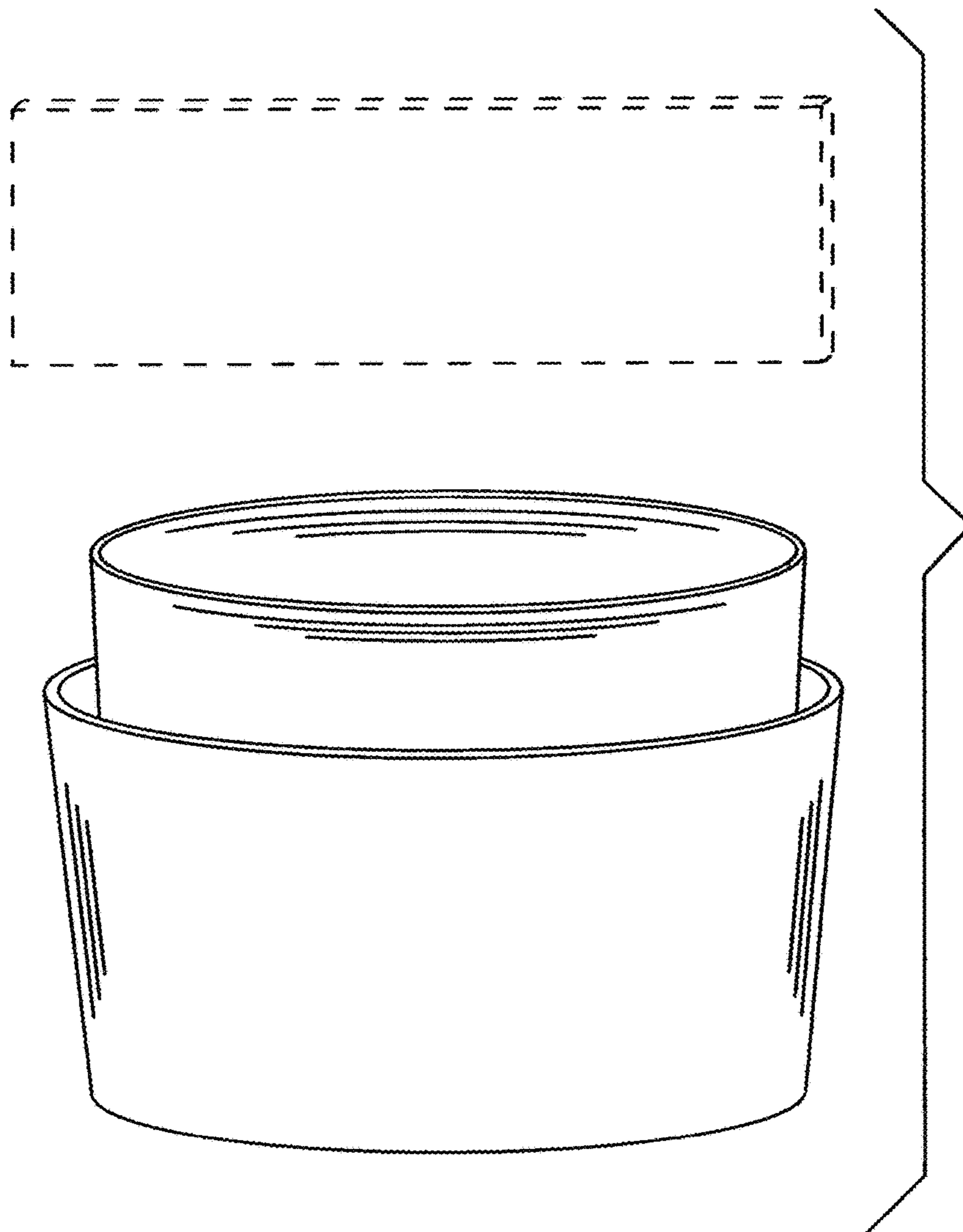


Figure 2

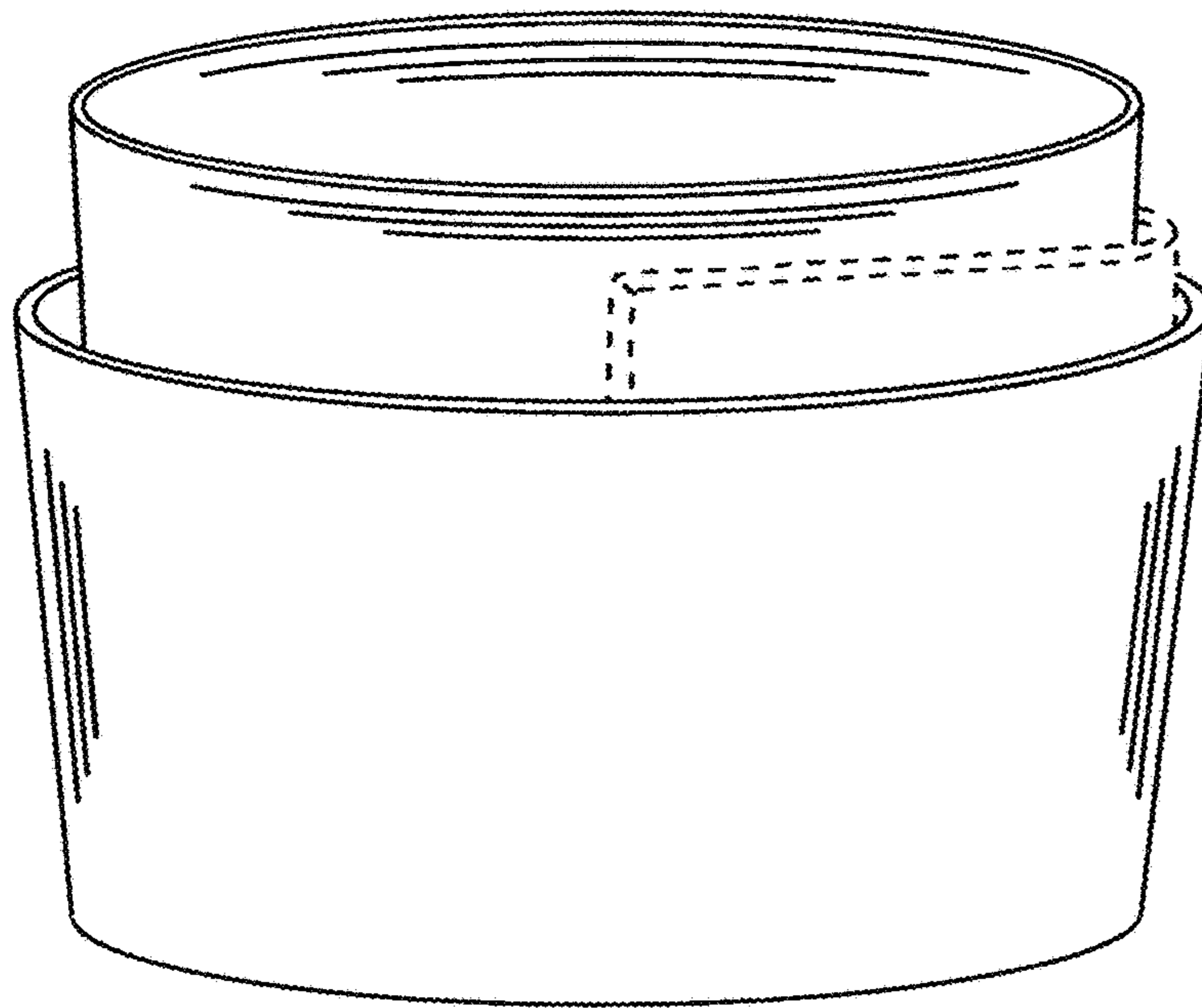


Figure 3

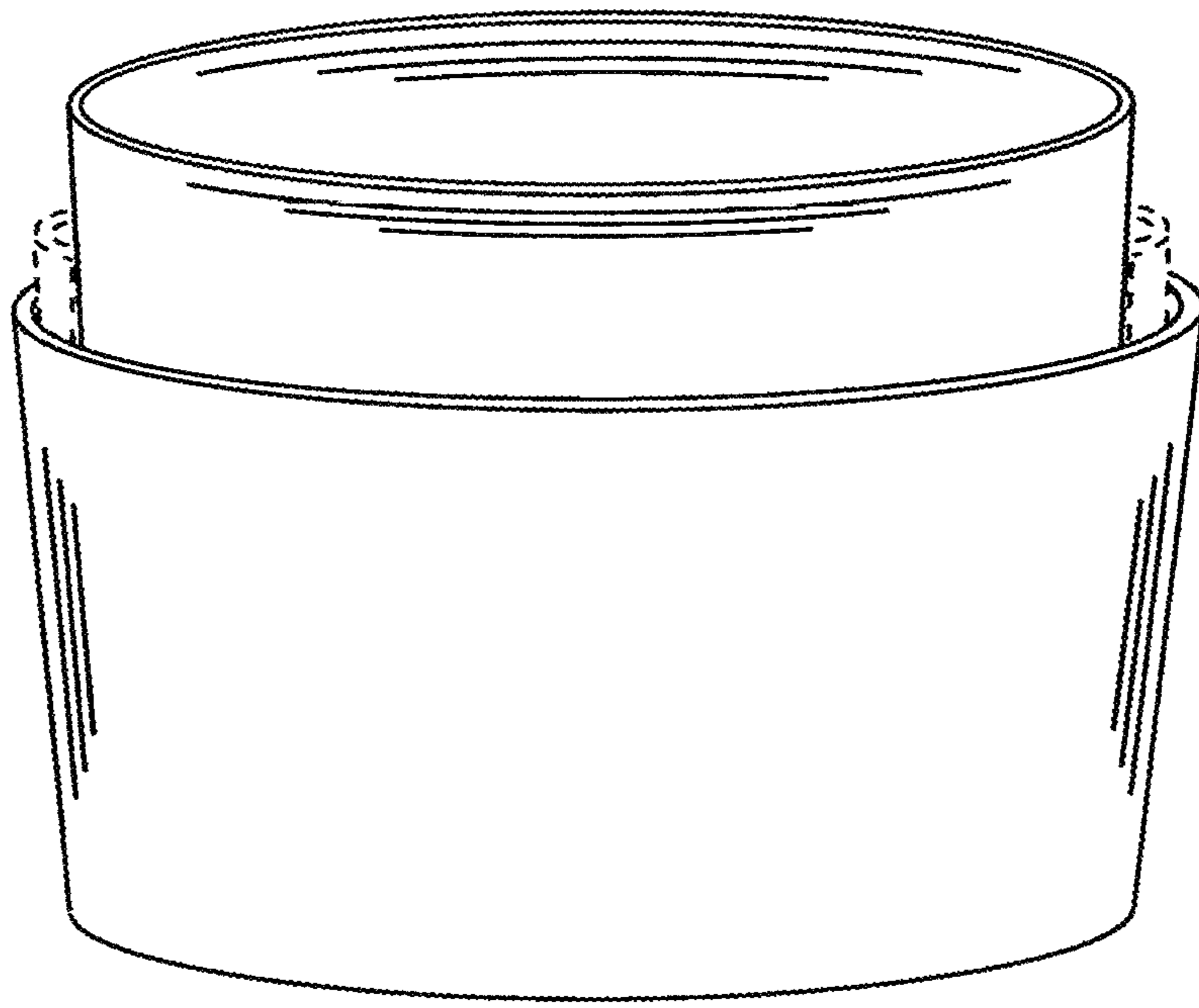


Figure 4

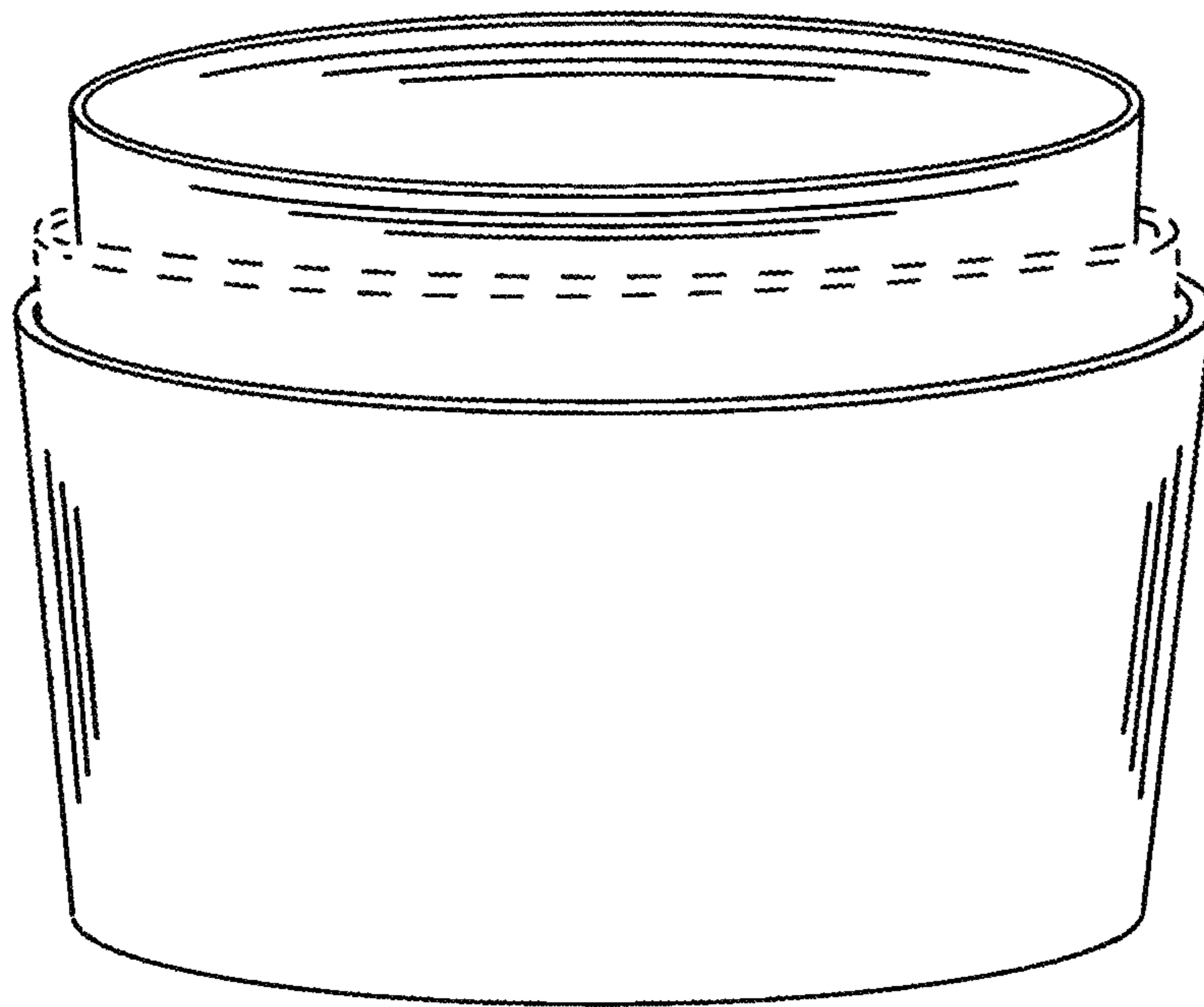


Figure 5

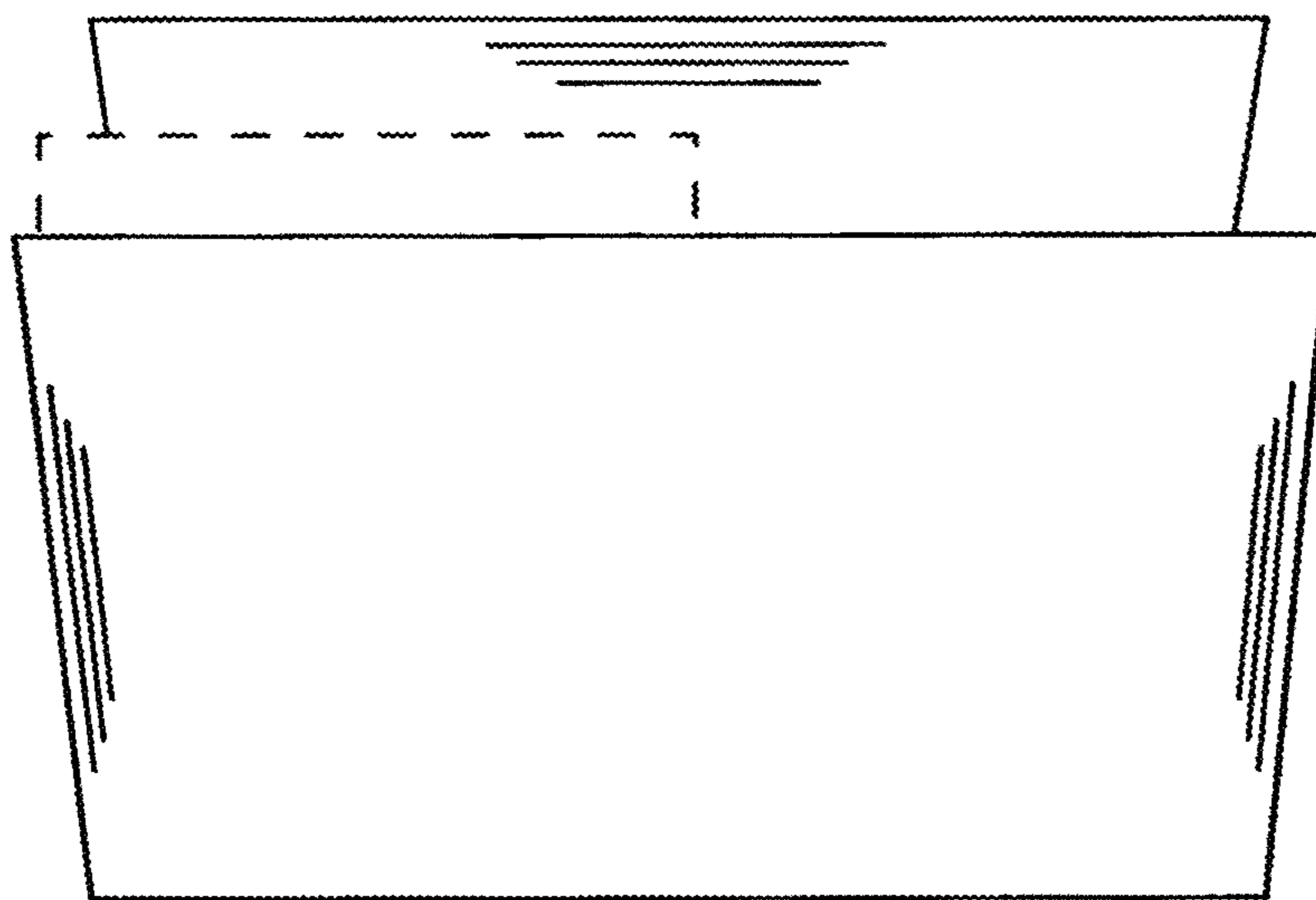


Figure 6



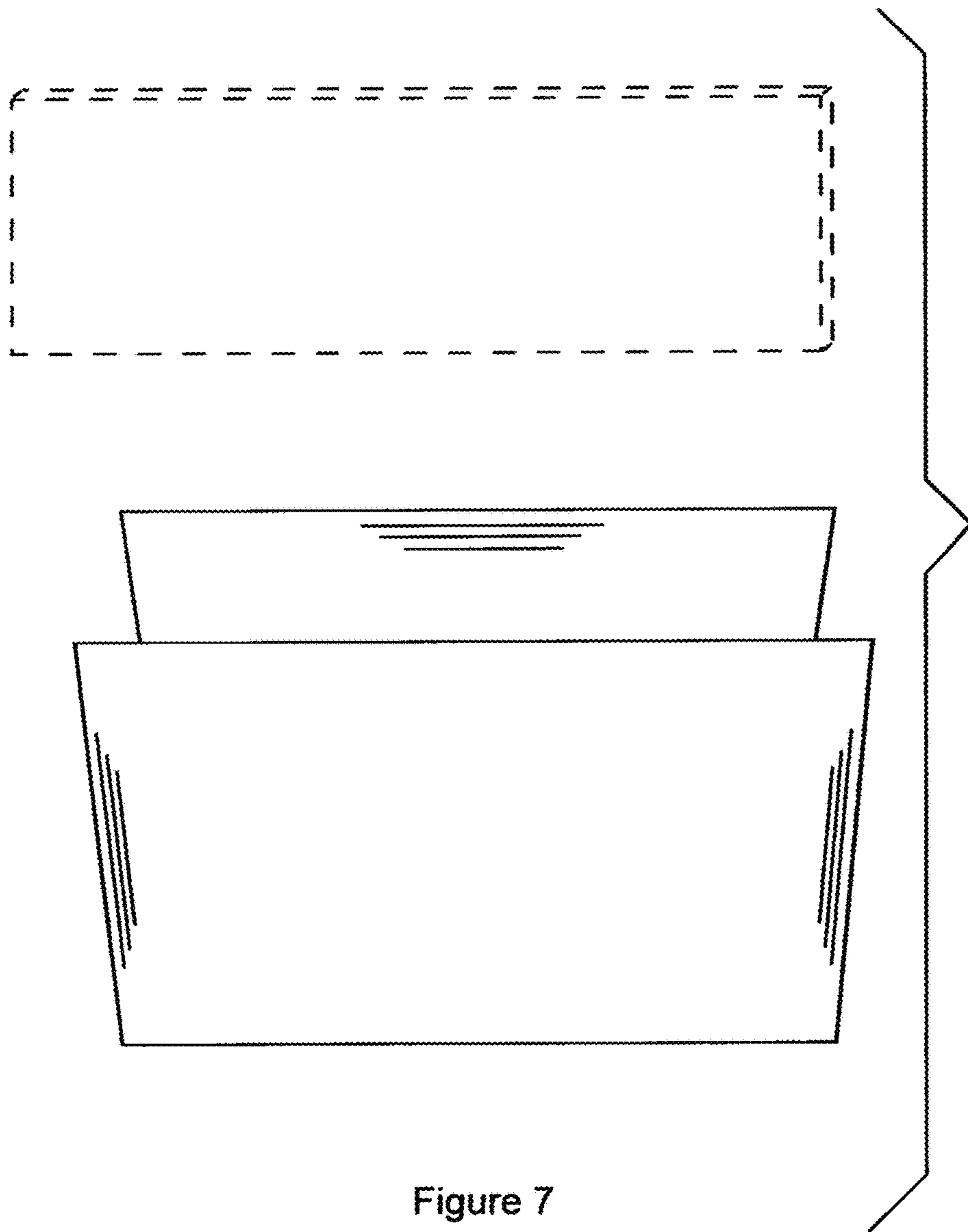


Figure 7

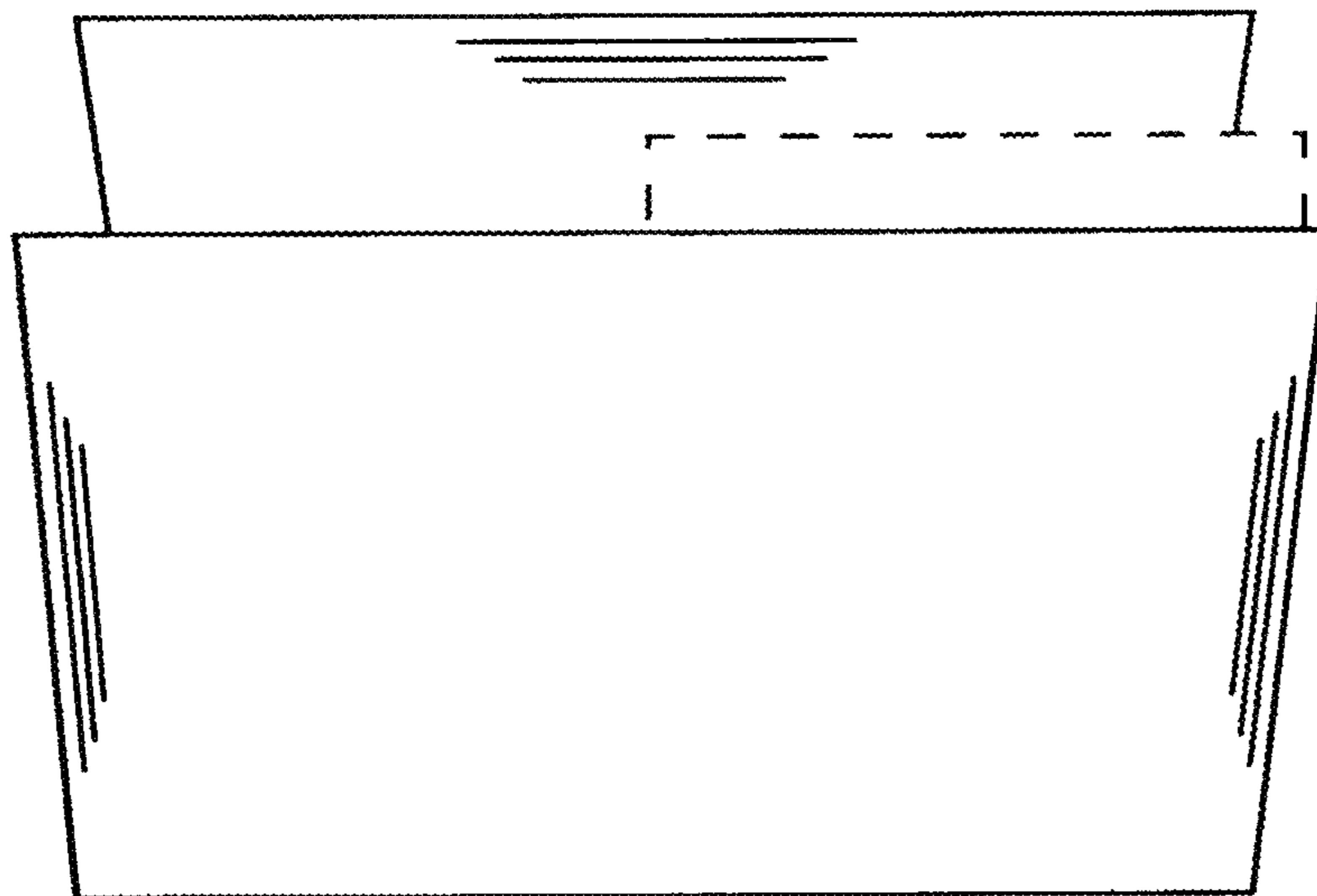


Figure 8

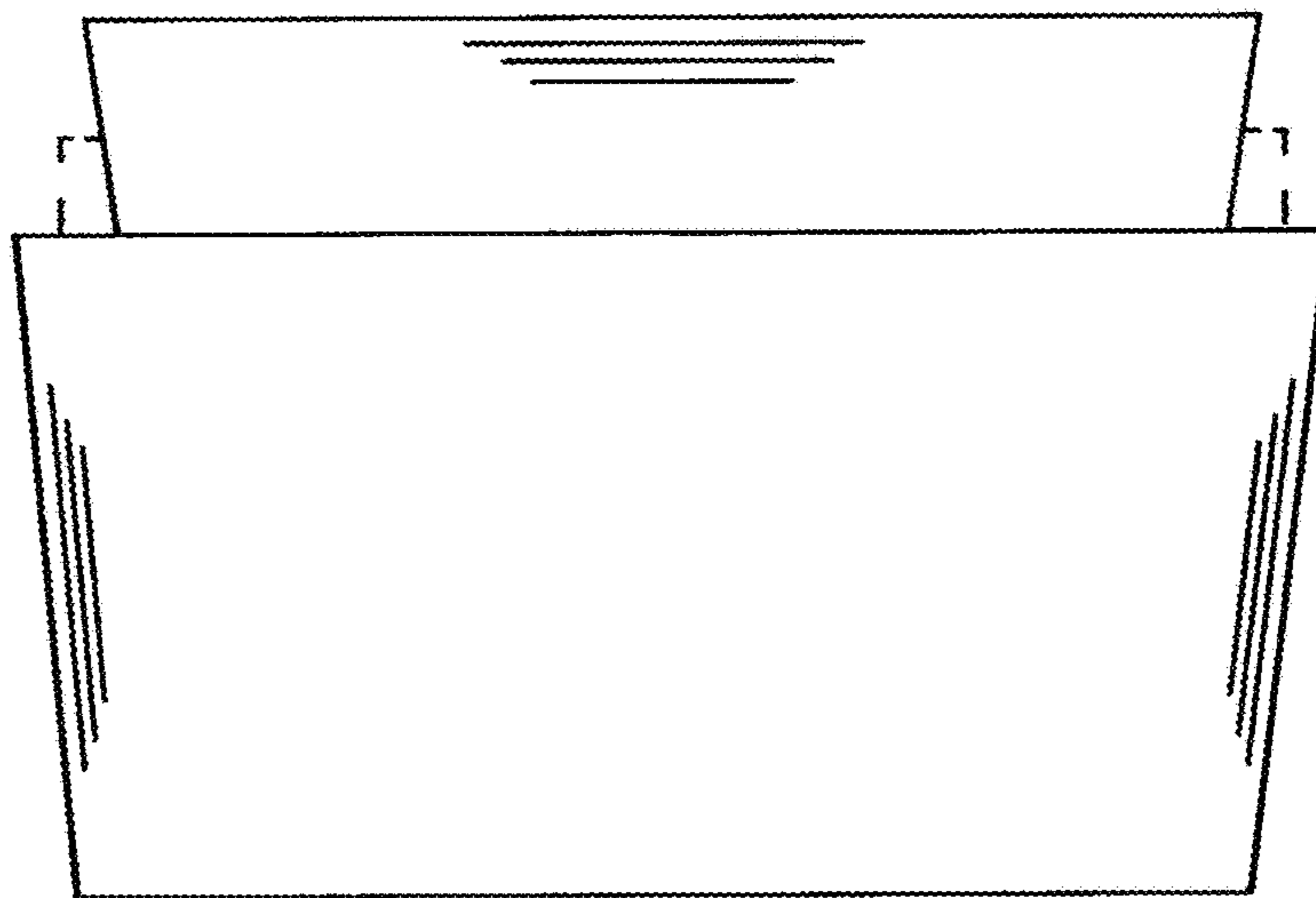


Figure 9

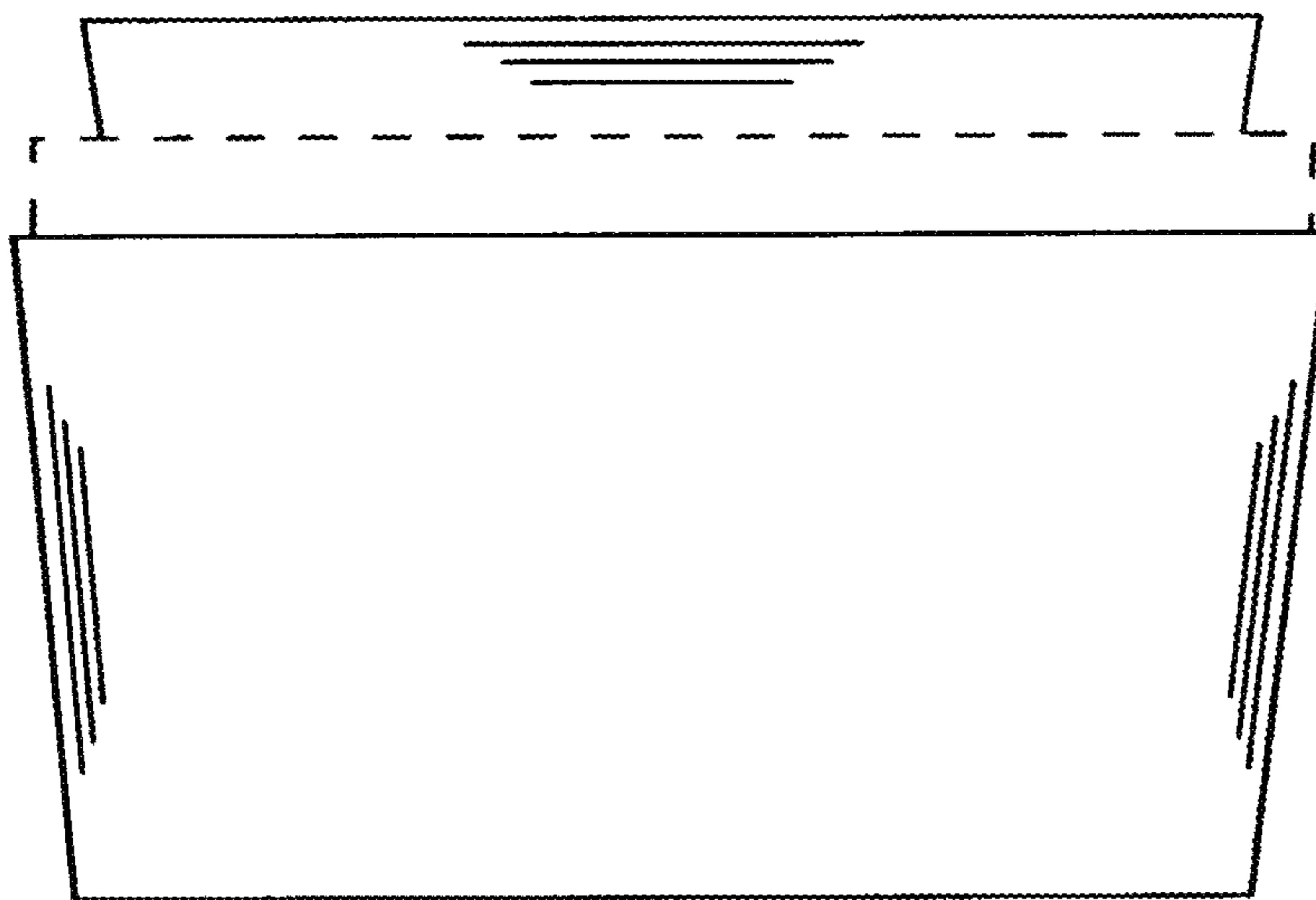


Figure 10

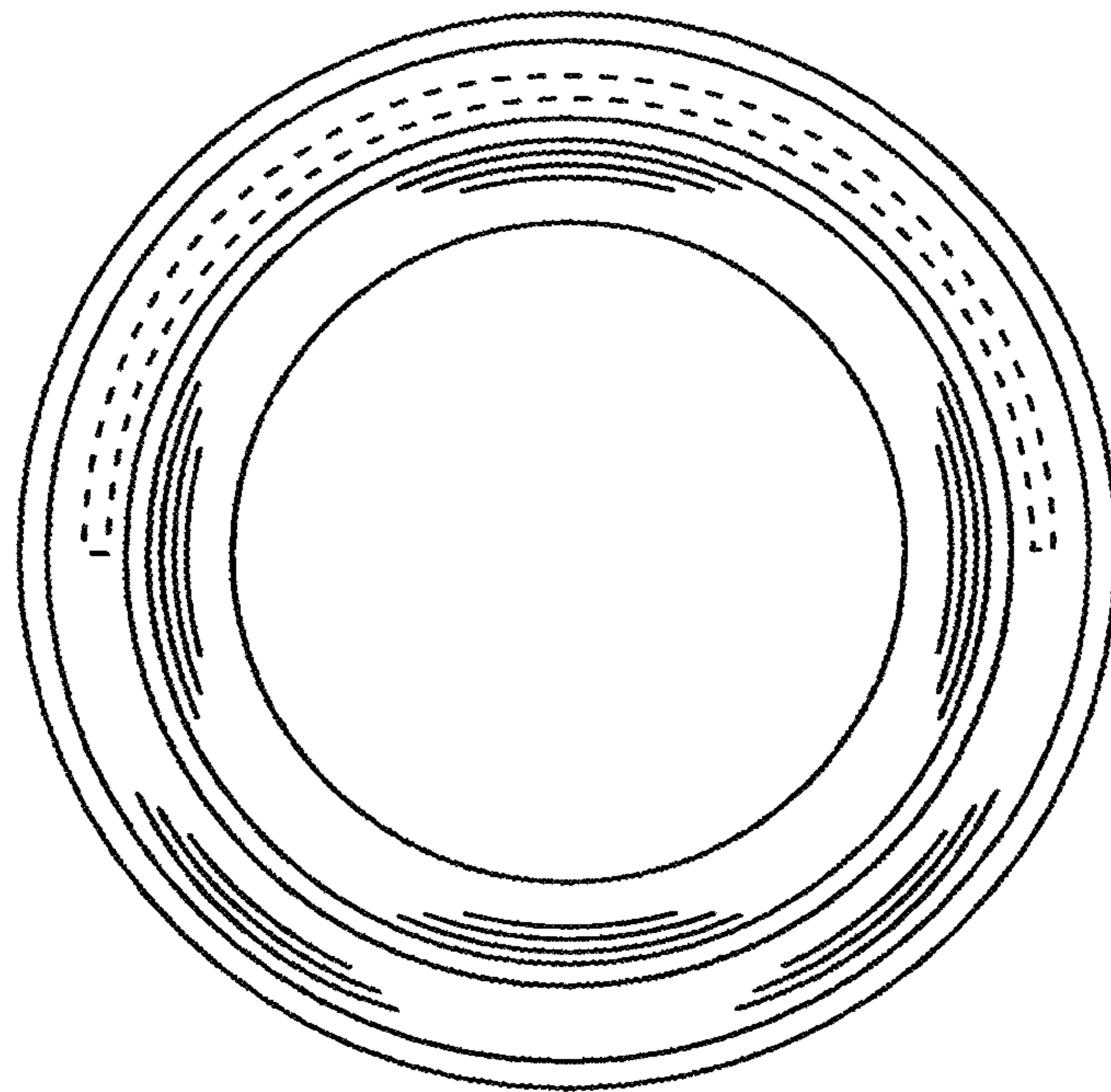


Figure 11

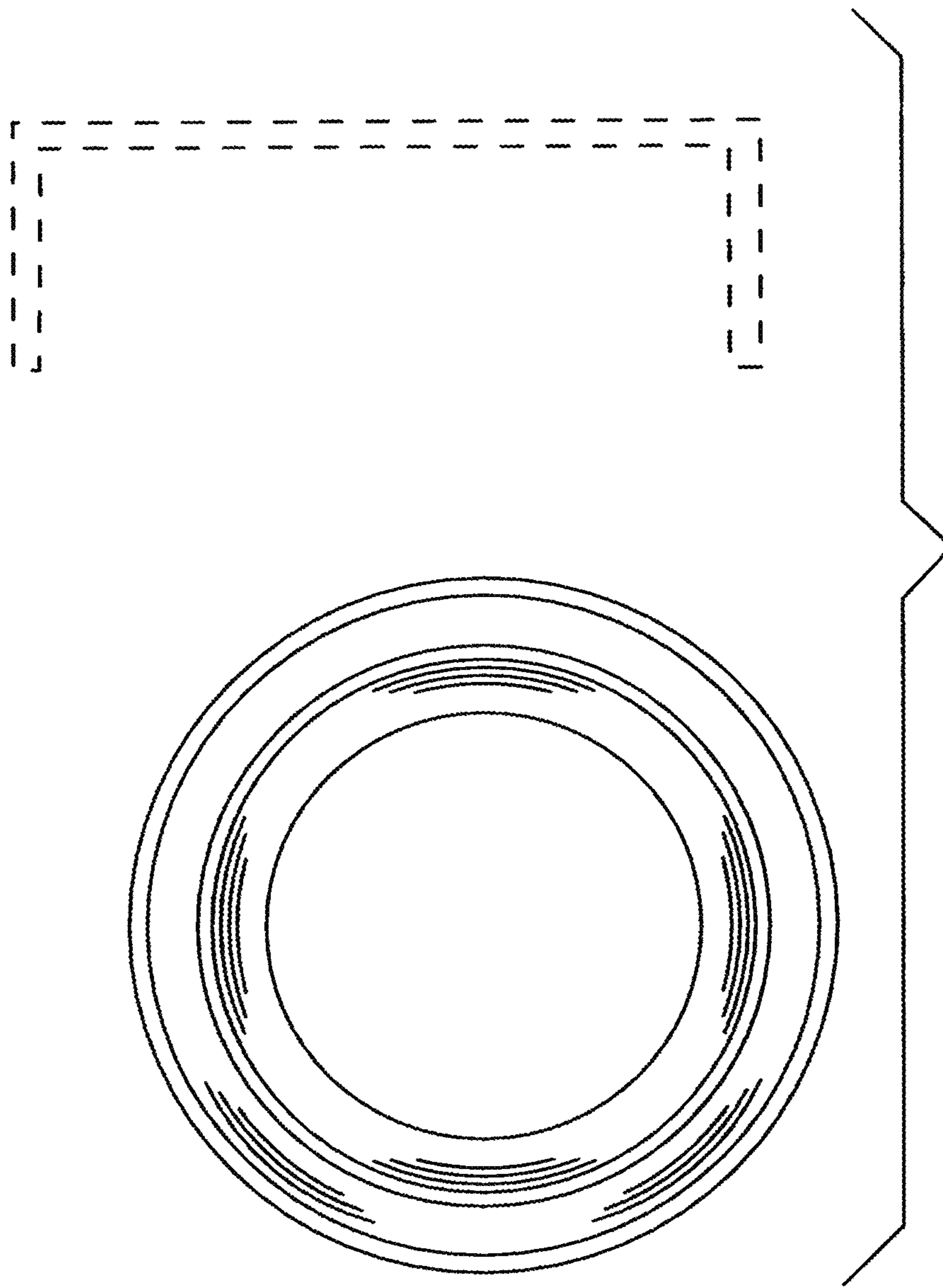


Figure 12

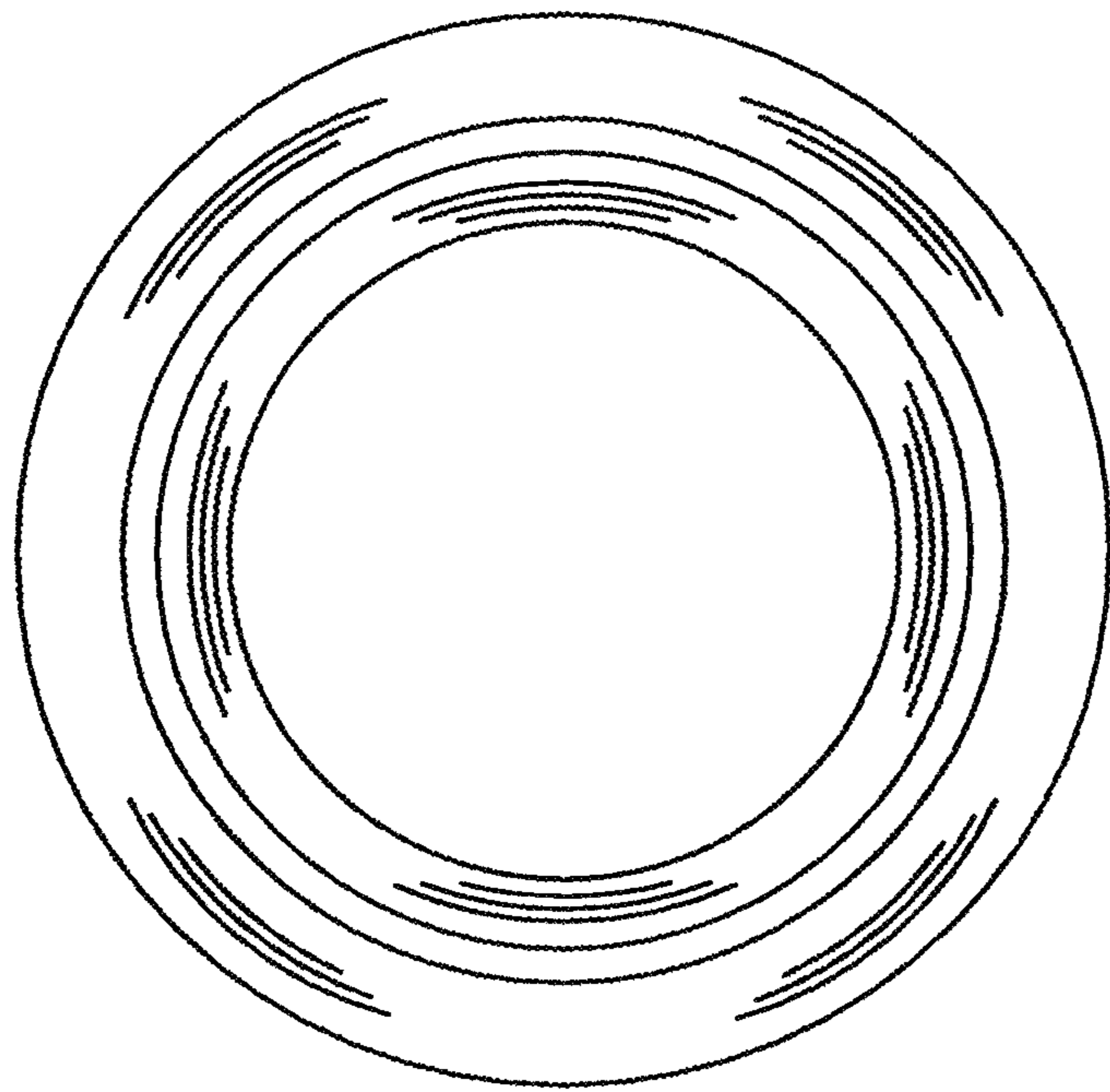


Figure 13

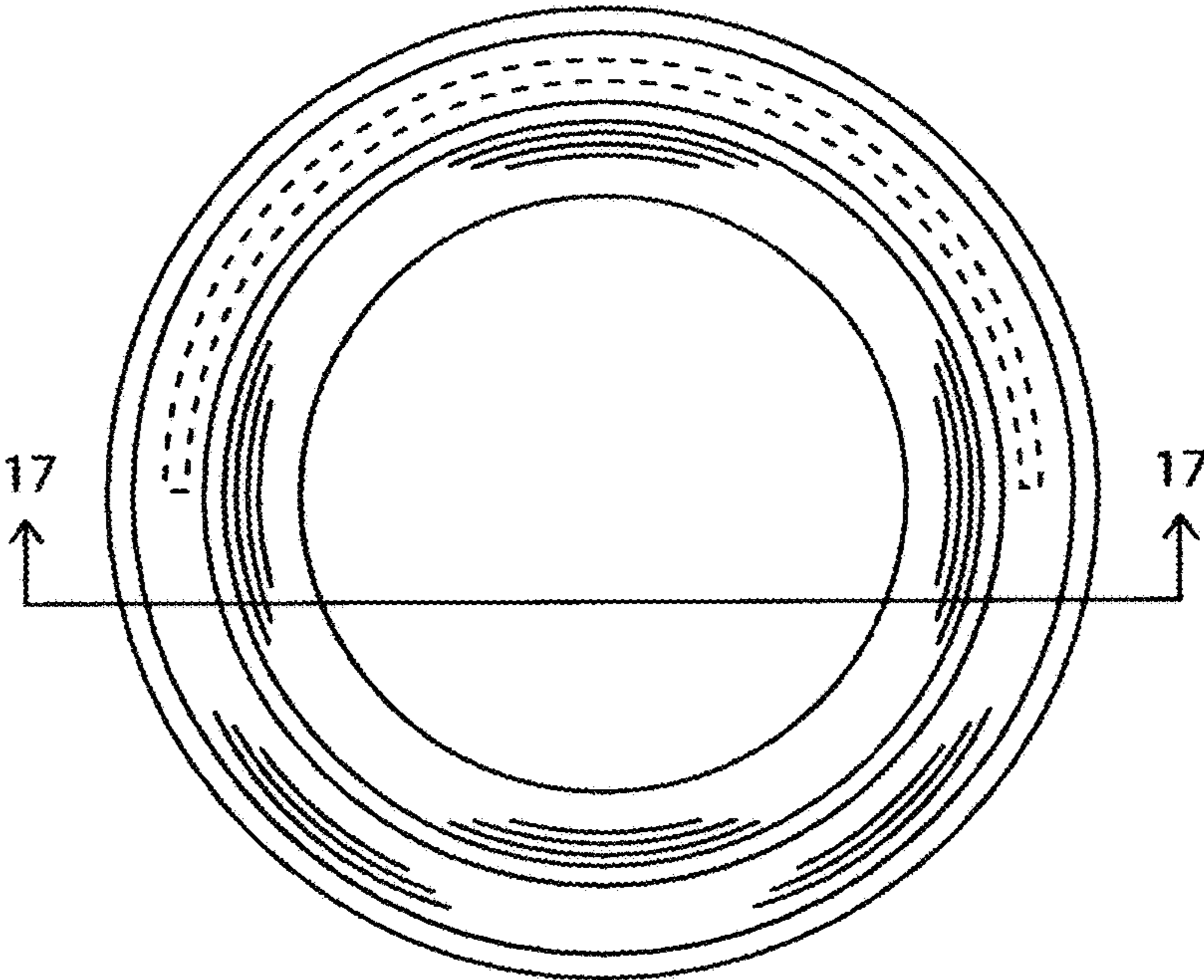


Figure 14



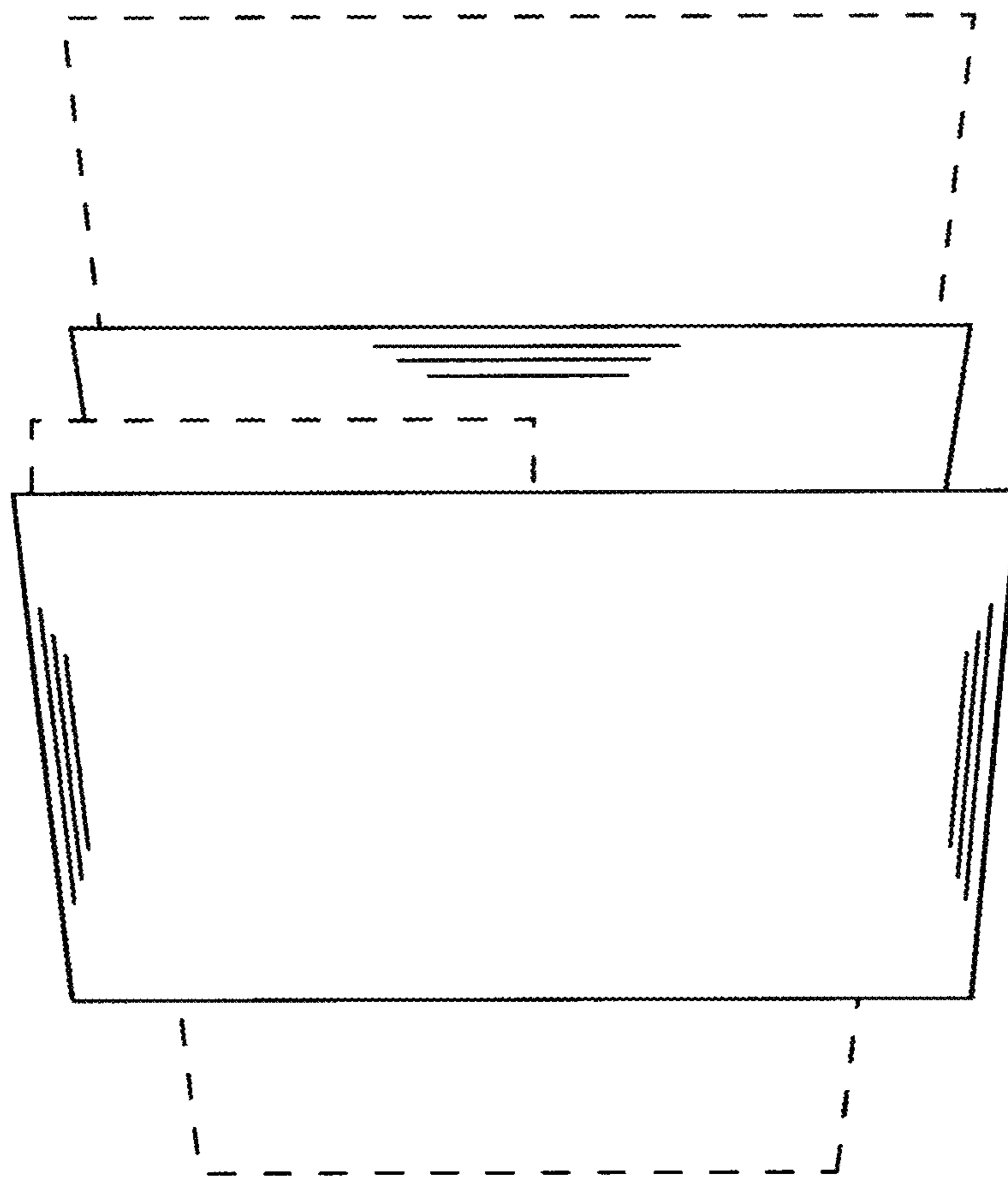


Figure 15

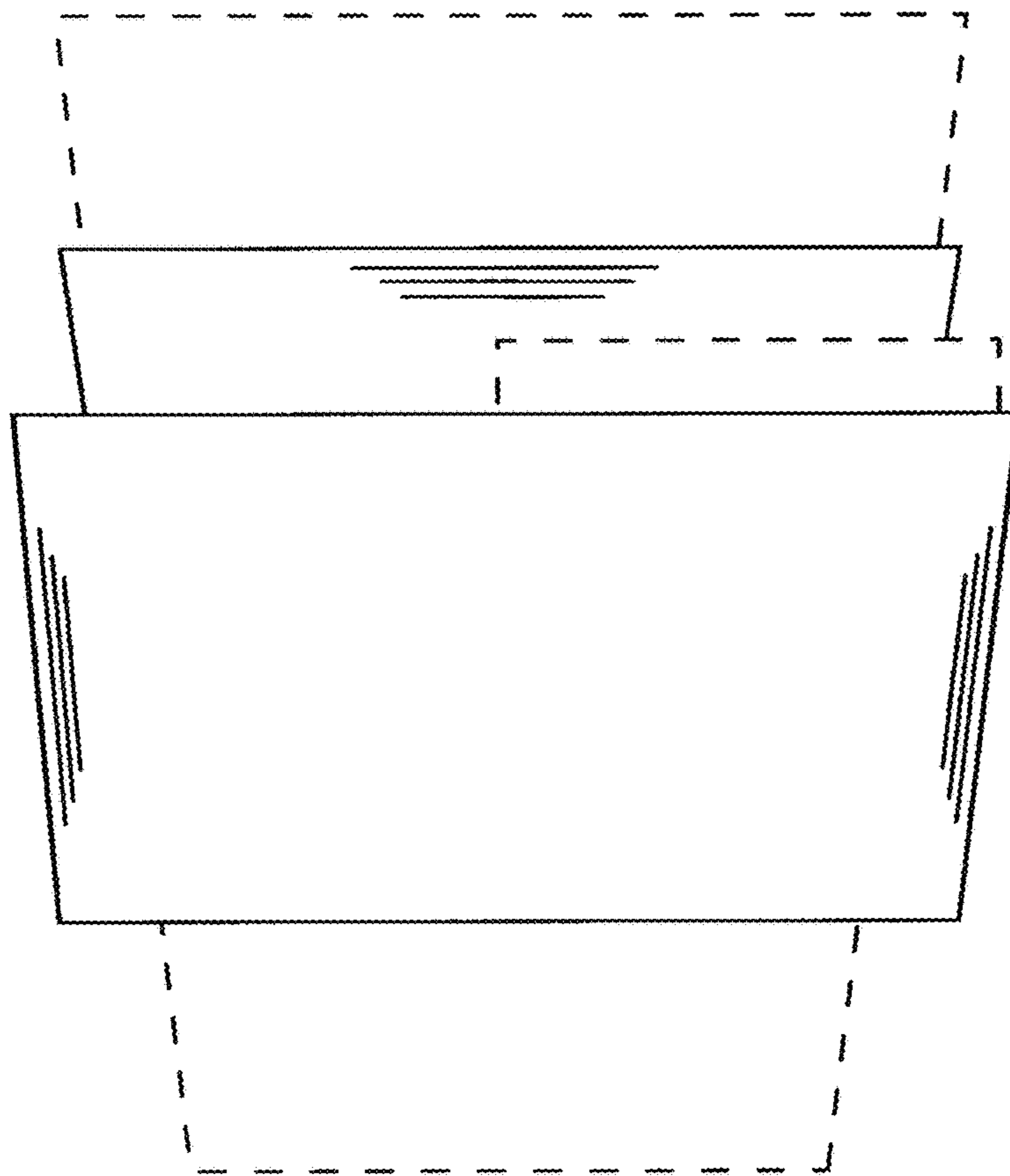


Figure 16

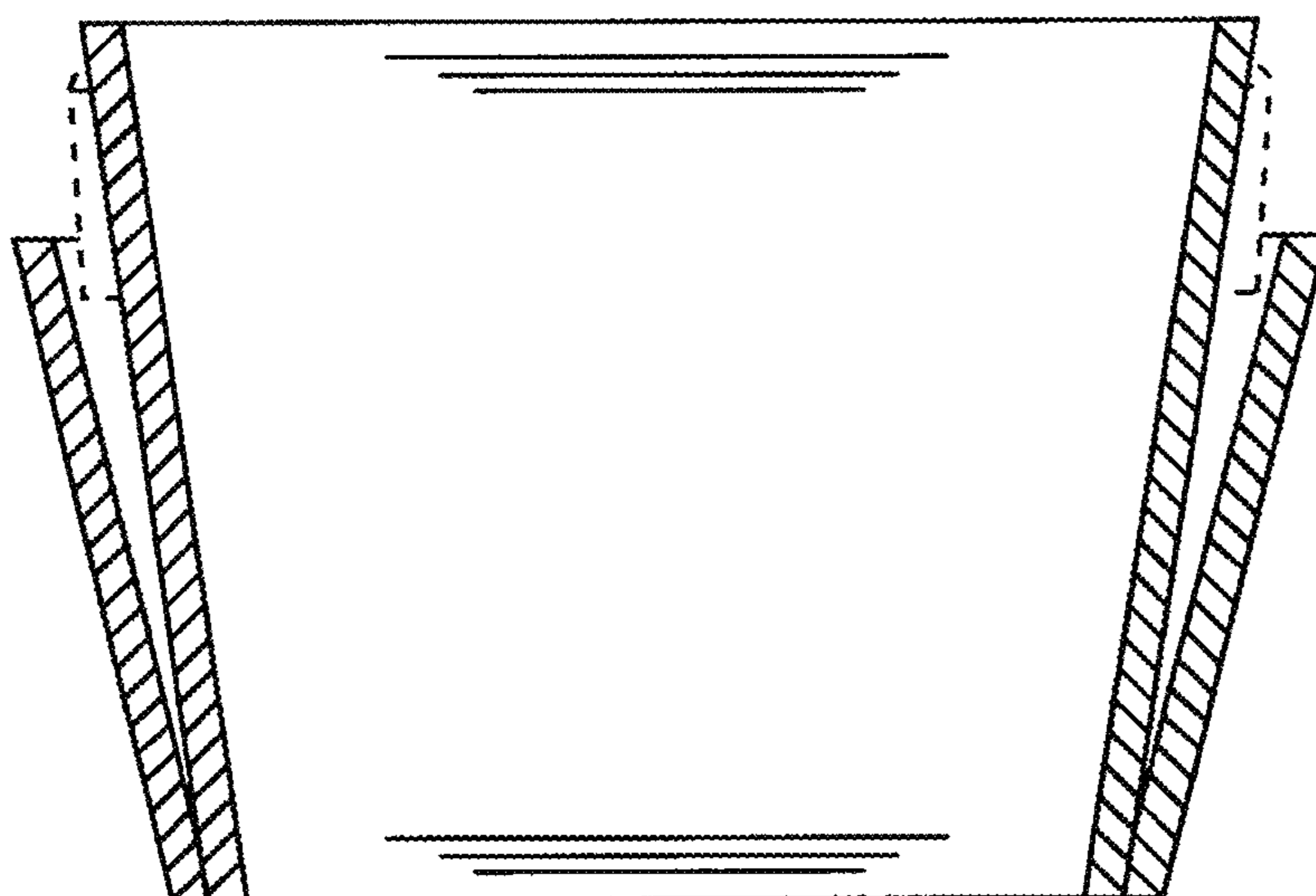


Figure 17