



US00D803634S

(12) **United States Design Patent** (10) **Patent No.:** **US D803,634 S**  
**Parker et al.** (45) **Date of Patent:** **\*\* Nov. 28, 2017**

- (54) **CUP HOLDER DEVICE**
- (71) Applicants: **Ryan Parker**, Corpus Christi, TX (US);  
**Jeffrey Thompson**, Sinton, TX (US)
- (72) Inventors: **Ryan Parker**, Corpus Christi, TX (US);  
**Jeffrey Thompson**, Sinton, TX (US)
- (\*\*) Term: **15 Years**
- (21) Appl. No.: **29/575,455**
- (22) Filed: **Aug. 25, 2016**
- (51) **LOC (10) Cl.** ..... **07-06**
- (52) **U.S. Cl.**  
USPC ..... **D7/622**
- (58) **Field of Classification Search**  
USPC ..... D7/619.1-625, 605-608, 707-708, 533,  
D7/536, 393, 396.2, 509-511; D9/499,  
D9/455, 434, 436, 443  
CPC . A45F 5/10; A61J 9/06; B65D 23/106; B65D  
23/10; B65D 23/104; B65D 23/0233;  
B65D 23/0241; B65D 23/0216; A47G  
23/0266; A47G 23/0241; A47G 23/0258;  
A47G 23/02; A47J 45/10; A47J 45/077  
See application file for complete search history.

(56) **References Cited**  
**U.S. PATENT DOCUMENTS**

- D370,384 S \* 6/1996 Shamis ..... D7/393  
D398,815 S \* 9/1998 Hatsumoto ..... D7/533

- D437,187 S \* 2/2001 Cheng ..... D7/622  
D489,577 S \* 5/2004 Giampavolo ..... D7/620  
D709,738 S \* 7/2014 Weinert ..... D7/622

\* cited by examiner

*Primary Examiner* — Terry Wallace  
(74) *Attorney, Agent, or Firm* — Law Office of Jeff  
Williams; J. Oliver Williams

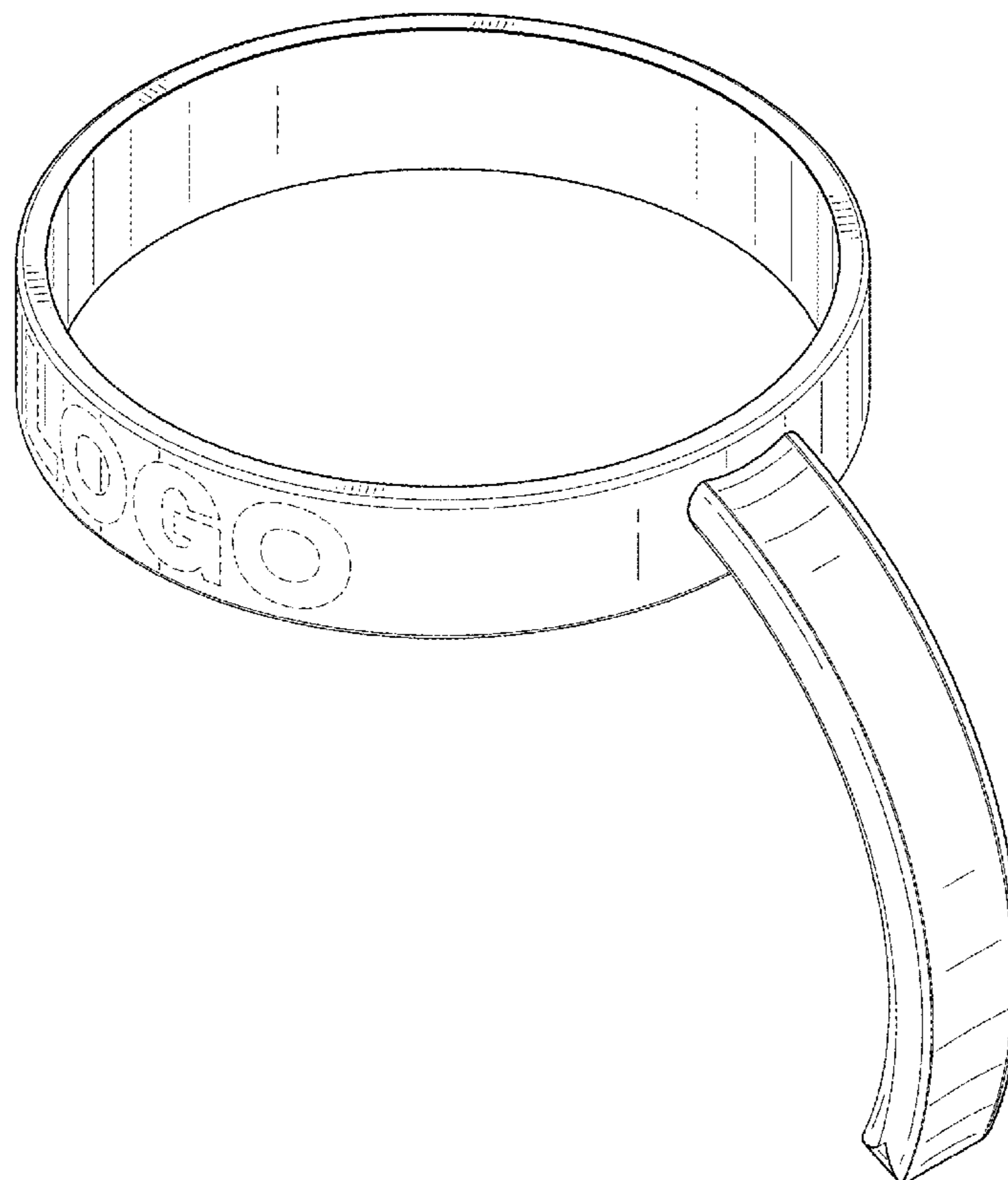
(57) **CLAIM**

The ornamental design for a cup holder device, as shown and described.

**DESCRIPTION**

FIG. 1 is a perspective view of a cup holder device according to the present application.  
FIG. 2 is a left view of the cup holder device of FIG. 1.  
FIG. 3 is a right view of the cup holder device of FIG. 1.  
FIG. 4 is a front view of the cup holder device of FIG. 1.  
FIG. 5 is a rear view of the cup holder device of FIG. 1.  
FIG. 6 is a top view of the cup holder device of FIG. 1.  
FIG. 7 is a bottom view of the cup holder device of FIG. 1.  
FIG. 8 is a section view of the cup holder device of FIG. 7; and,  
FIG. 9 is an alternative perspective view of the cup holder device of FIG. 1.  
The broken lines are included for the purpose of illustrating environmental structure and form no part of the claimed design.

**1 Claim, 6 Drawing Sheets**



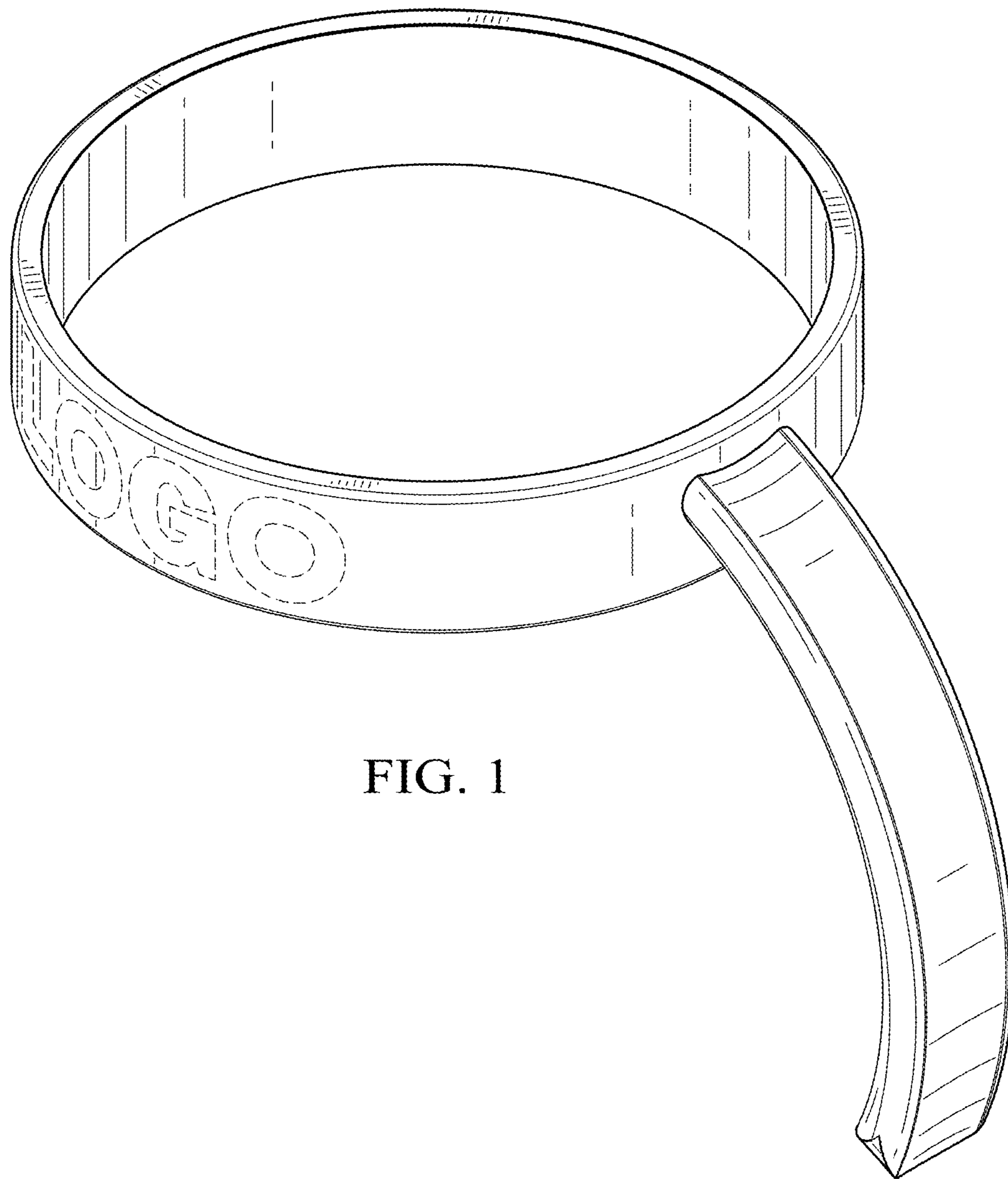


FIG. 1

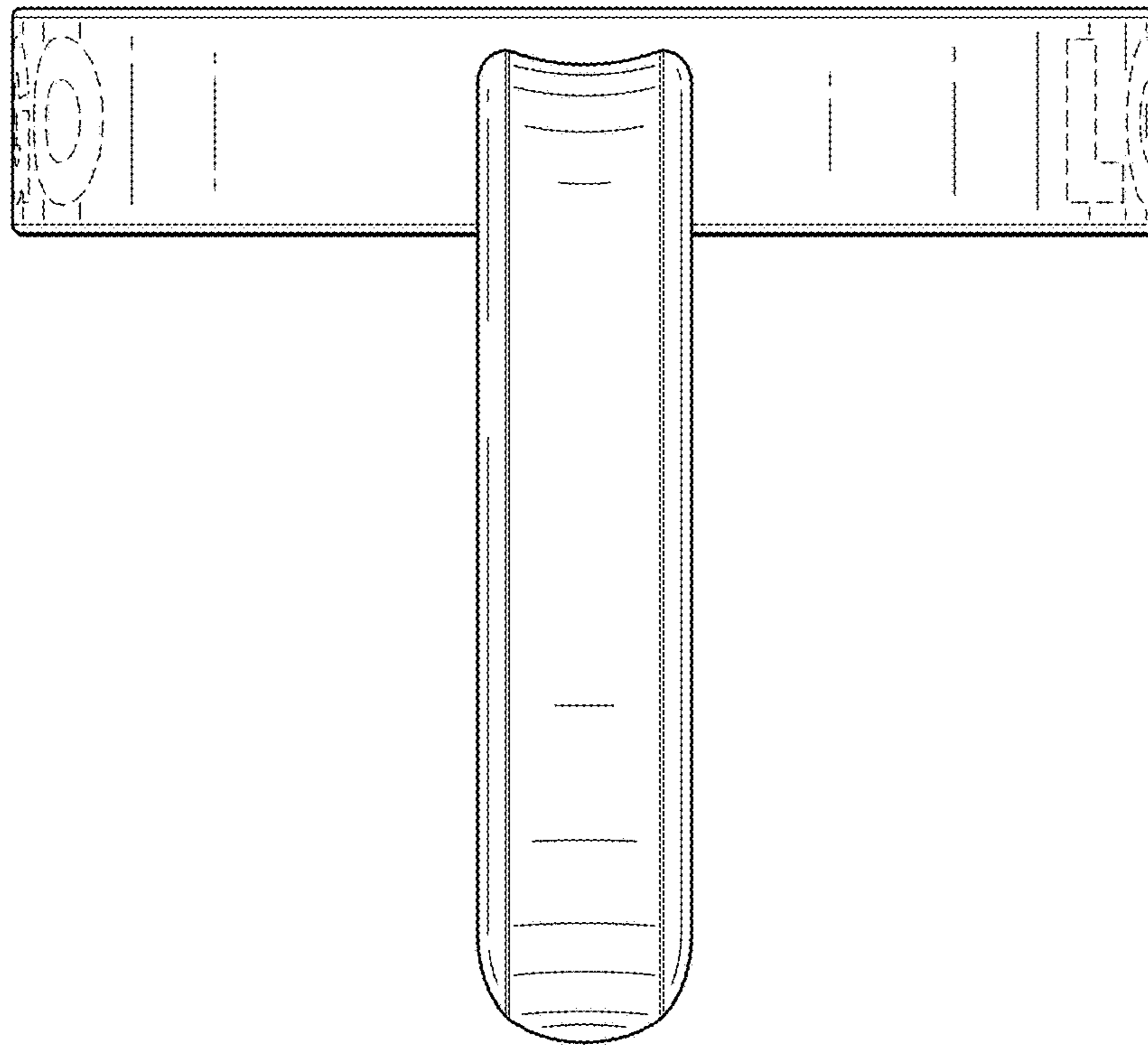


FIG. 2

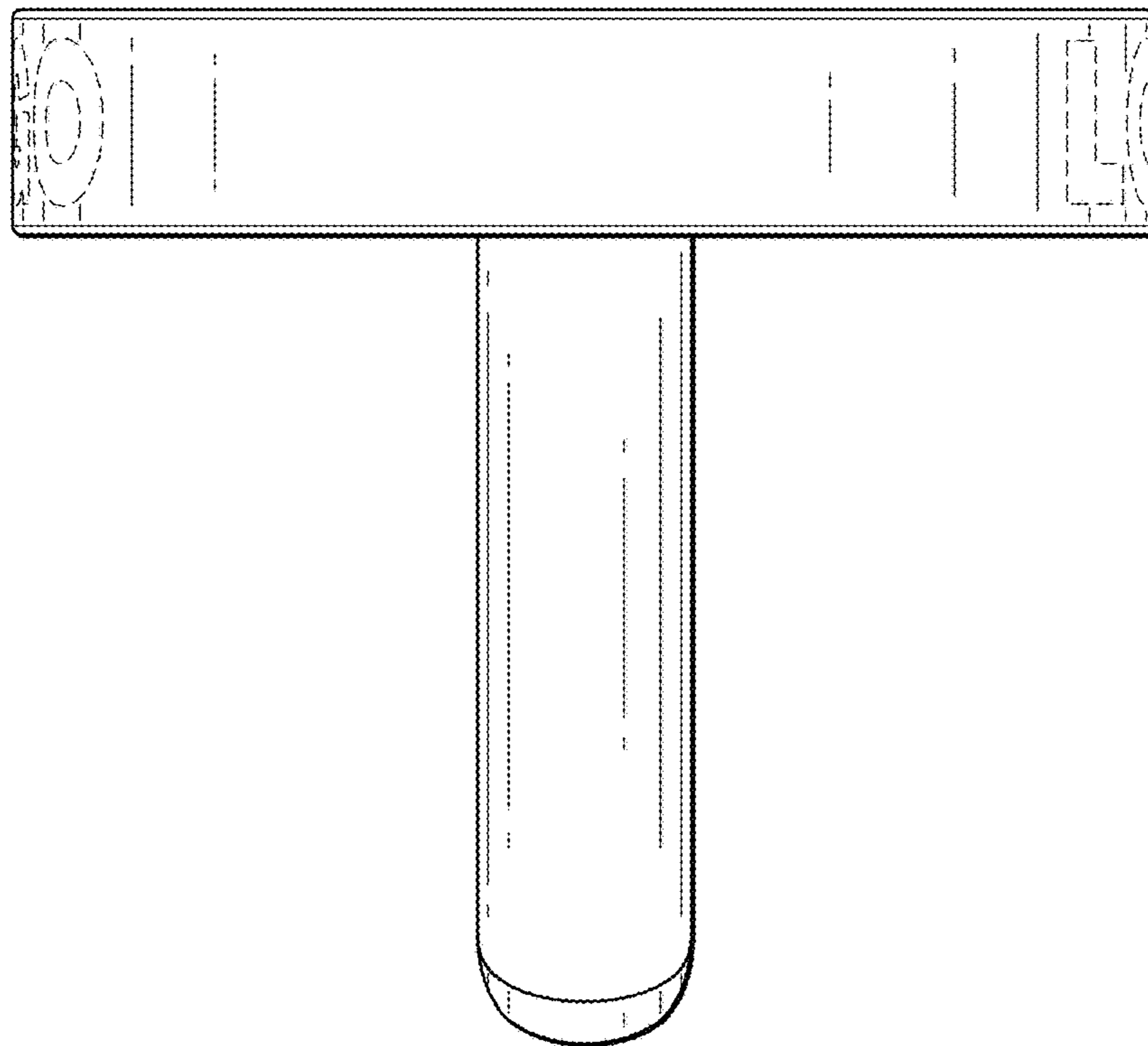


FIG. 3

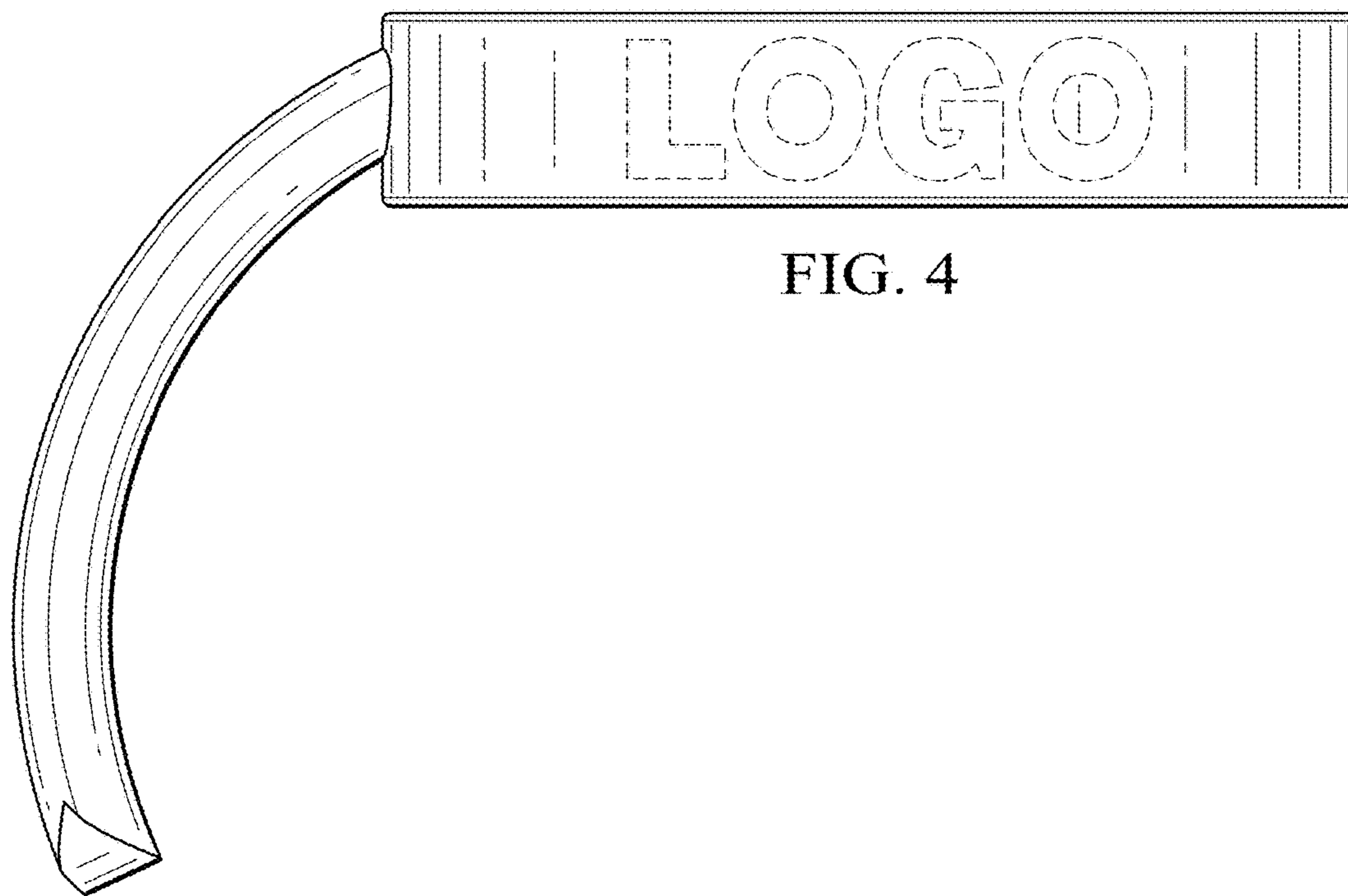


FIG. 4

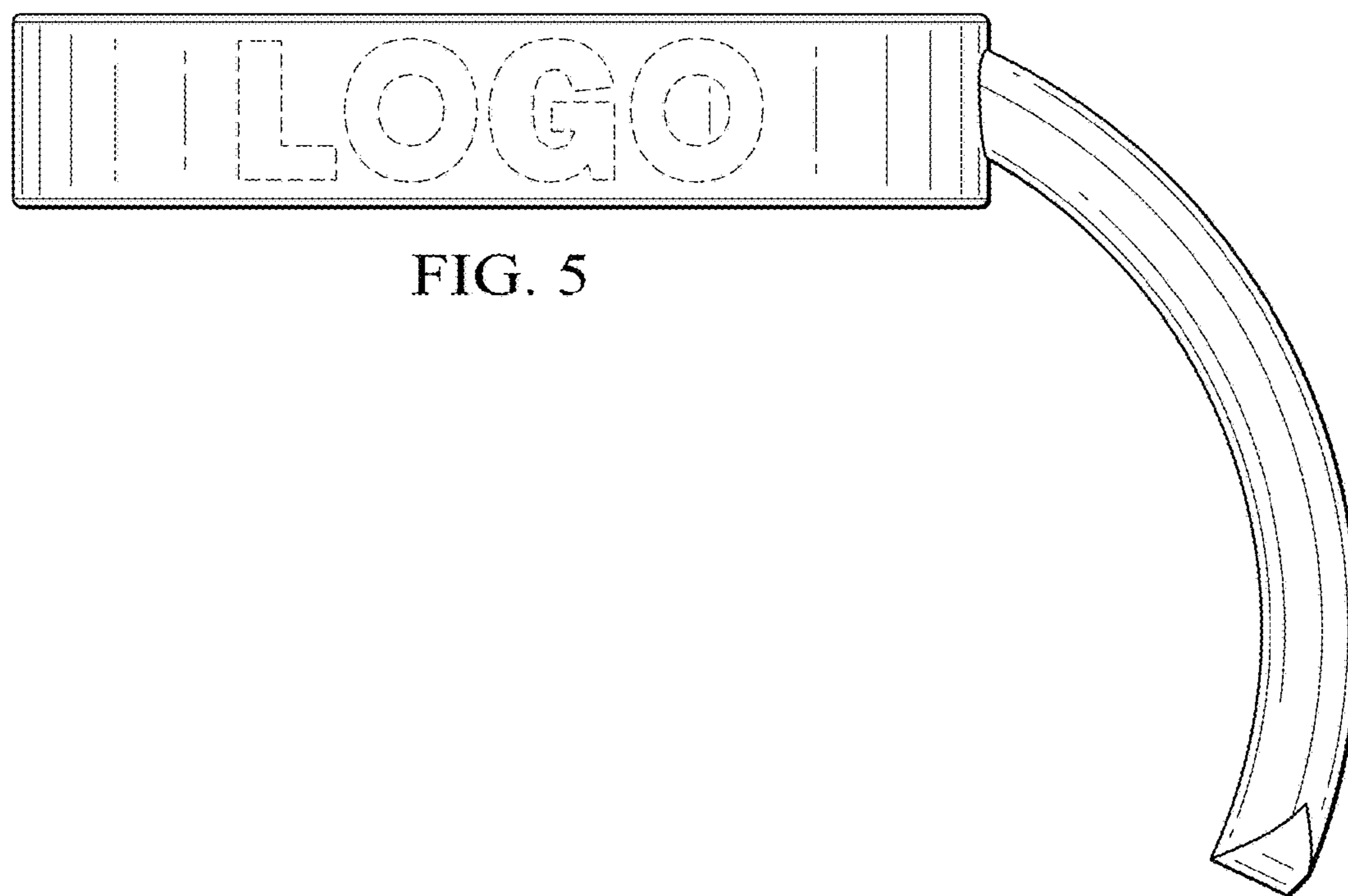


FIG. 5

FIG. 7

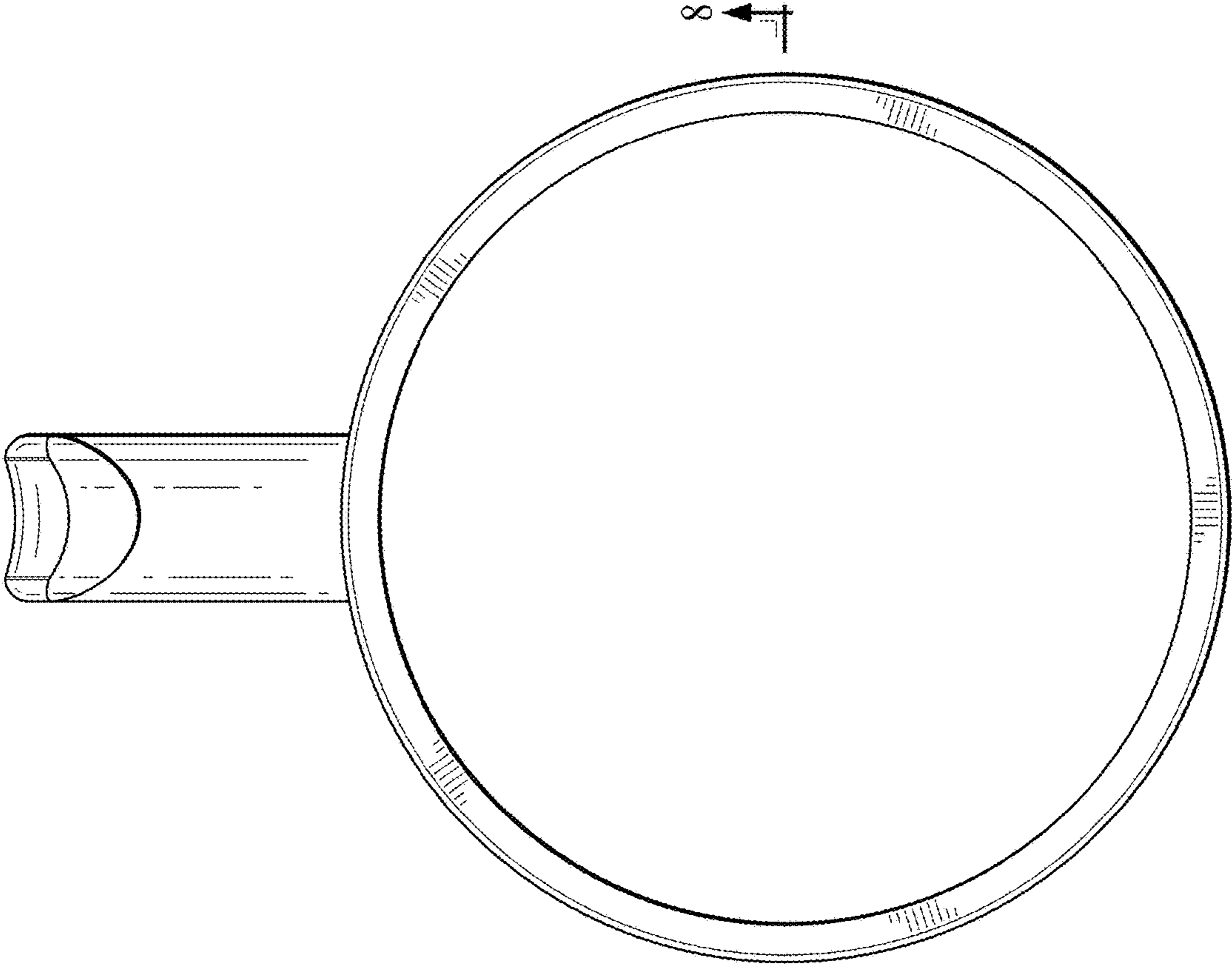
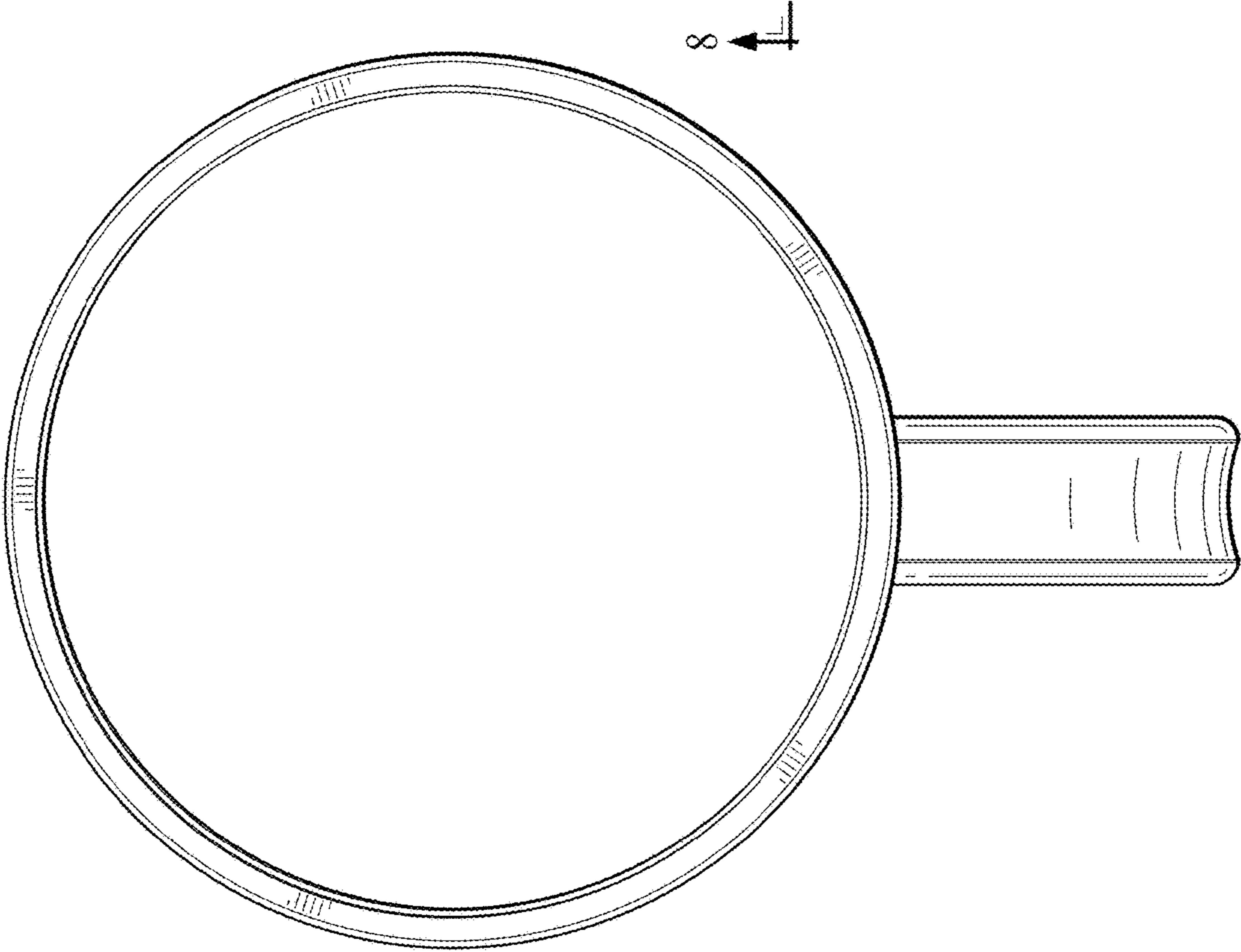


FIG. 6





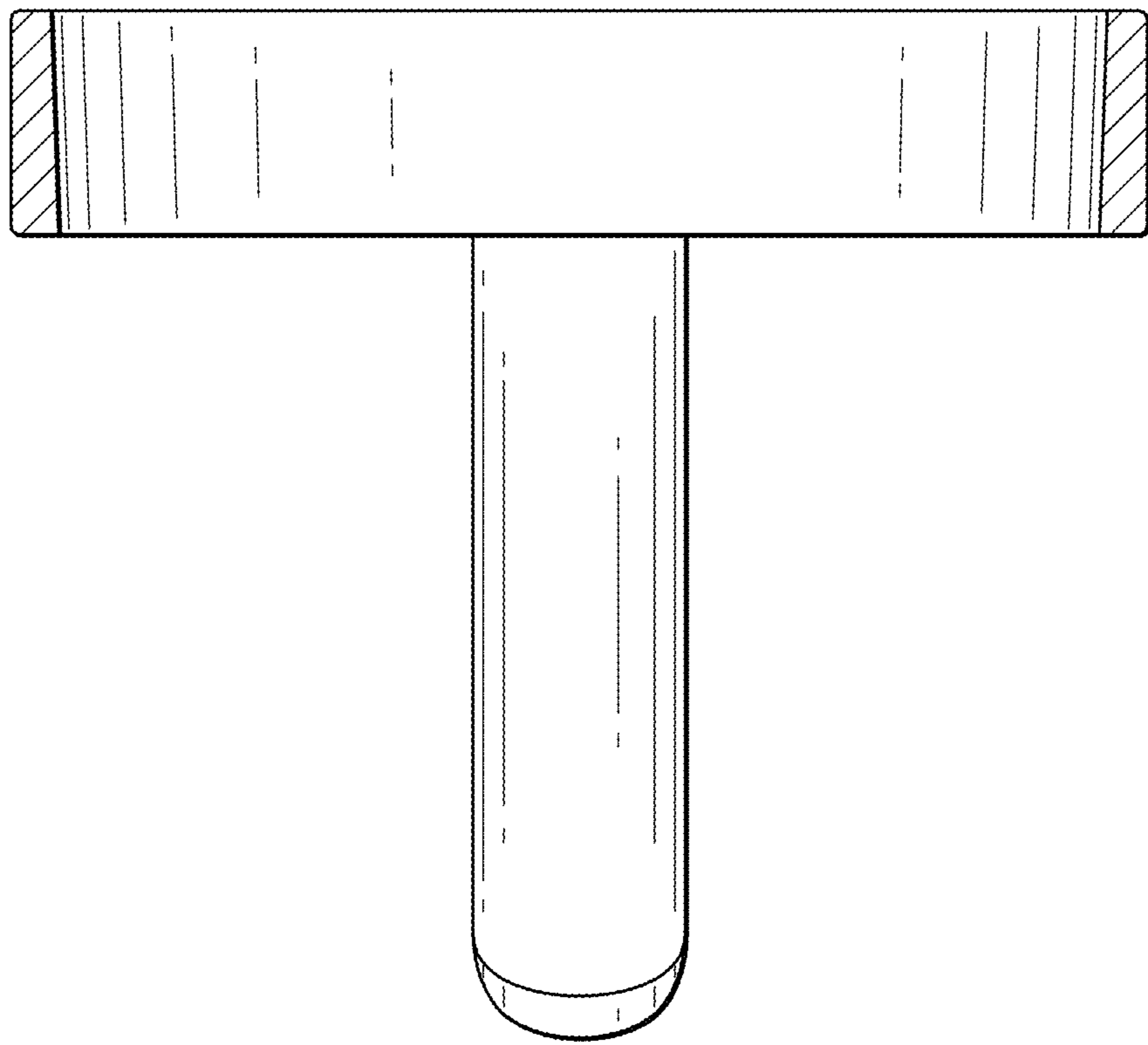


FIG. 8

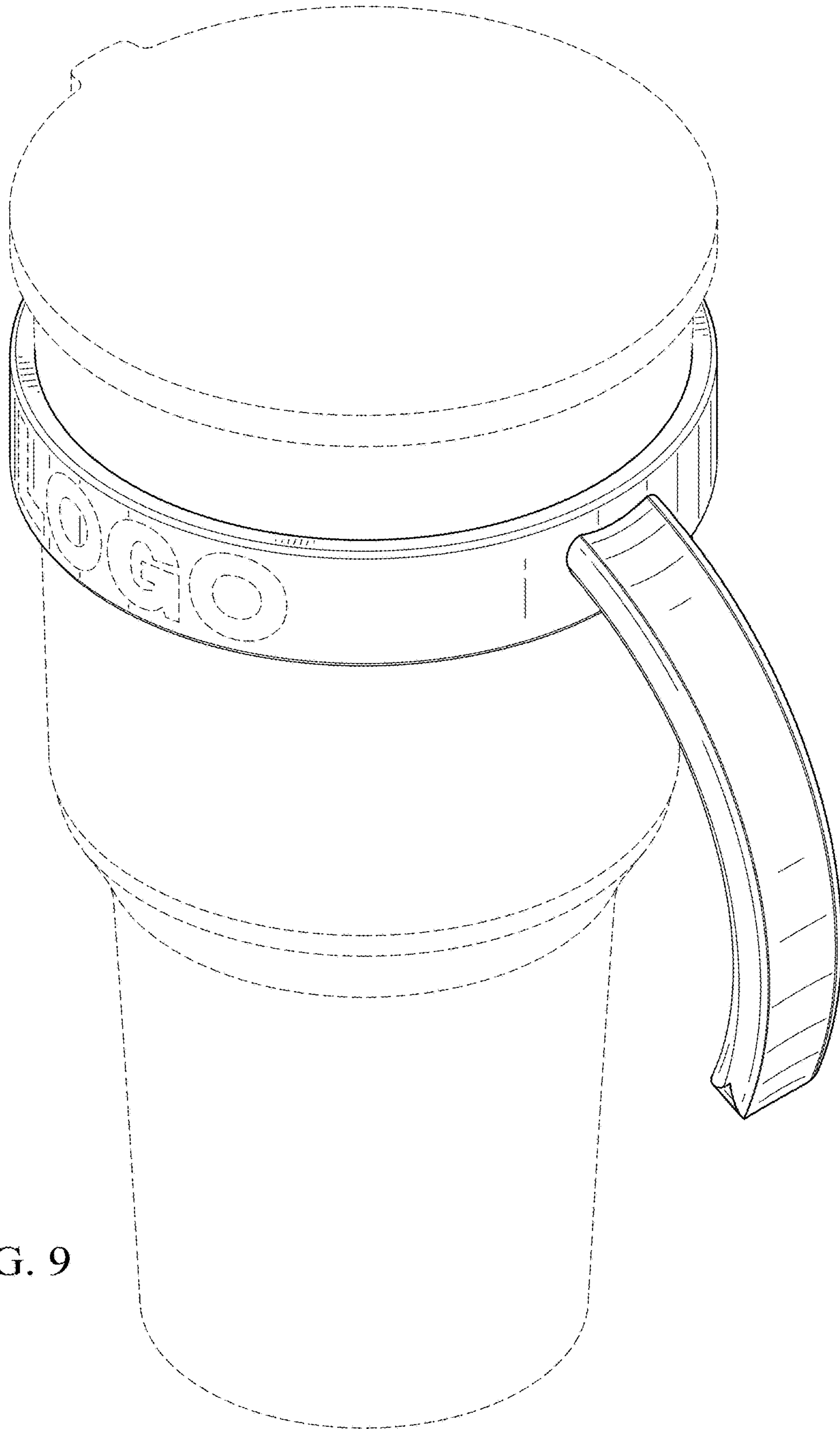


FIG. 9