



US00D803631S

(12) **United States Design Patent**
Min et al.

(10) **Patent No.:** **US D803,631 S**

(45) **Date of Patent:** **** Nov. 28, 2017**

(54) **CONTAINER FOR HEATING AND COOLING
FOODS AND BEVERAGES**

D660,095 S * 5/2012 Kyung D7/629
D762,087 S * 7/2016 Cross D7/629
2004/0084464 A1* 5/2004 Koo B65D 43/0218
220/784

(71) Applicants: **Kristen Yoohee Min**, Wauconda, IL
(US); **Jee Yeon Yoo Kim**, Barrington,
IL (US)

(Continued)

Primary Examiner — Terry A Wallace

(74) *Attorney, Agent, or Firm* — Michael McGreal

(72) Inventors: **Kristen Yoohee Min**, Wauconda, IL
(US); **Jee Yeon Yoo Kim**, Barrington,
IL (US)

(57) **CLAIM**

The ornamental design for container for heating and cooling
foods and beverages, shown and described.

(73) Assignee: **INNO BABY LLC**, Barrington, IL
(US)

DESCRIPTION

(**) Term: **15 Years**

FIG. 1 is a front and rear elevation view of the container for
heating and cooling foods and beverages of our design
assembled.

(21) Appl. No.: **29/620,158**

FIG. 2 is a right and left side elevation view thereof.

(22) Filed: **Jul. 26, 2016**

FIG. 3 is a front exploded view thereof showing a closure,
inner container and an outer container.

(51) **LOC (10) Cl.** **07-07**

FIG. 4 is a left side exploded view thereof showing a
closure, inner container and an outer container.

(52) **U.S. Cl.**

USPC **D7/605**; D7/629

FIG. 5 is a rear exploded view thereof showing a closure,
inner container and an outer container.

(58) **Field of Classification Search**

USPC D7/605–608, 629, 602, 538–542, 391,
D7/392, 392.1

FIG. 6 is a left side exploded view thereof showing a
closure, inner container and an outer container.

CPC B65D 43/0218; B65D 45/20;
B29C 45/0025; A45C 5/04; A45C 11/16;
A45C 11/20

FIG. 7 is a top plan view of the closure.

FIG. 8 is a bottom view of the closure.

FIG. 9 is a top plan view of the inner container.

FIG. 10 is a bottom plan view of the inner container

FIG. 11 is a top plan view of the outer container.

FIG. 12 a bottom plan view of the outer container.

FIG. 13 is an exploded perspective view thereof; and,

FIG. 14 is an exploded perspective view thereof showing a
heating/cooling unit in the outer container.

See application file for complete search history.

The broken line showing of the periphery of the heating/
cooling unit is for illustrative purposes only to show envi-
ronment and form no part of the claimed design. No specific
color is claimed.

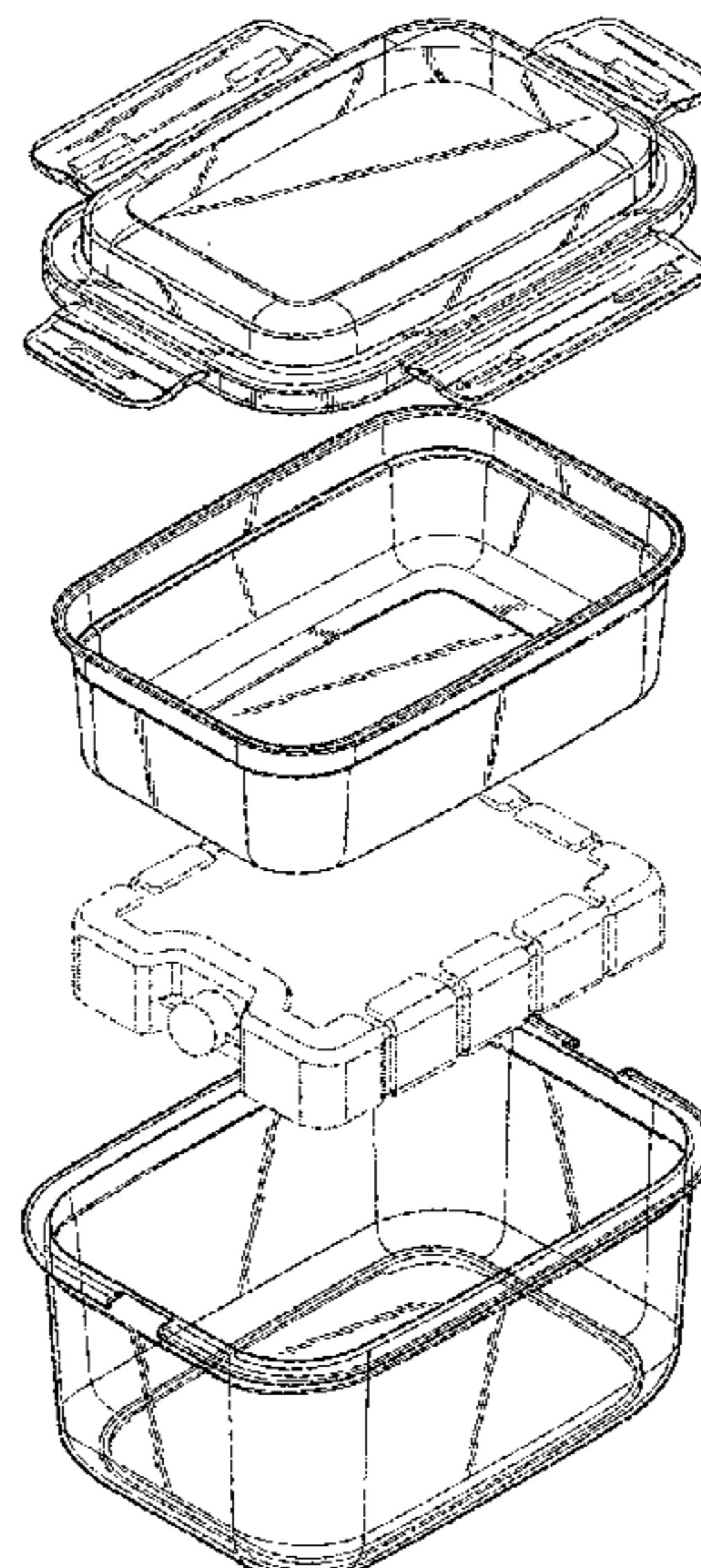
The inner and outer container and closure have been shown
separately for clarity of illustration.

(56) **References Cited**

U.S. PATENT DOCUMENTS

6,415,947 B1 * 7/2002 Kim B29C 45/0025
220/326
D481,910 S * 11/2003 Kim D7/629
6,793,096 B1 * 9/2004 Seok B65D 43/0218
220/326
D543,412 S * 5/2007 Munson D7/354
D544,762 S * 6/2007 Zimmerman D7/601
D568,102 S * 5/2008 Ruiz de Az a D7/316

1 Claim, 10 Drawing Sheets



(56)

References Cited

U.S. PATENT DOCUMENTS

2005/0006390 A1* 1/2005 Wang B65D 45/30
220/326
2005/0035125 A1* 2/2005 Bae B65D 43/0218
220/326

* cited by examiner

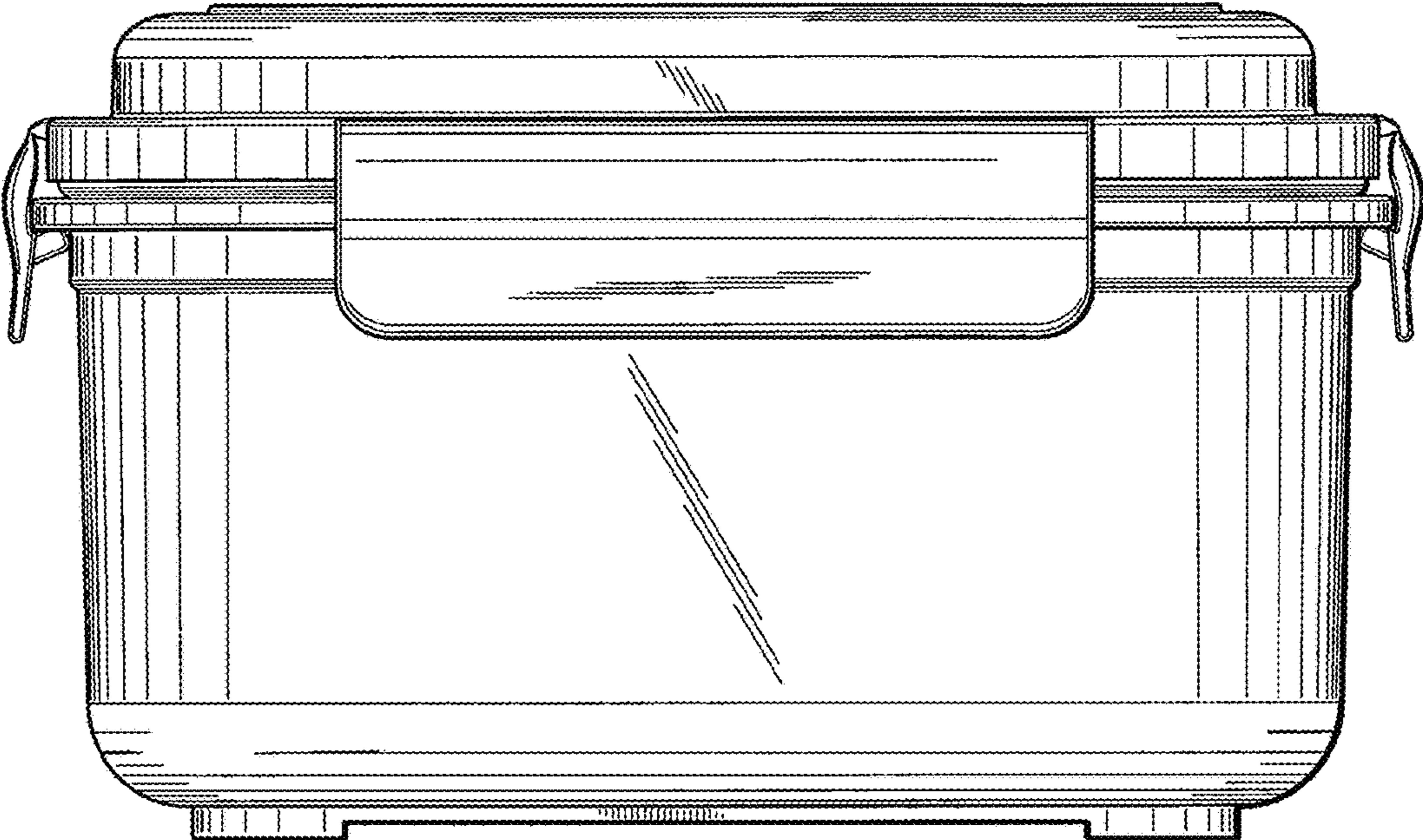


FIG. 1

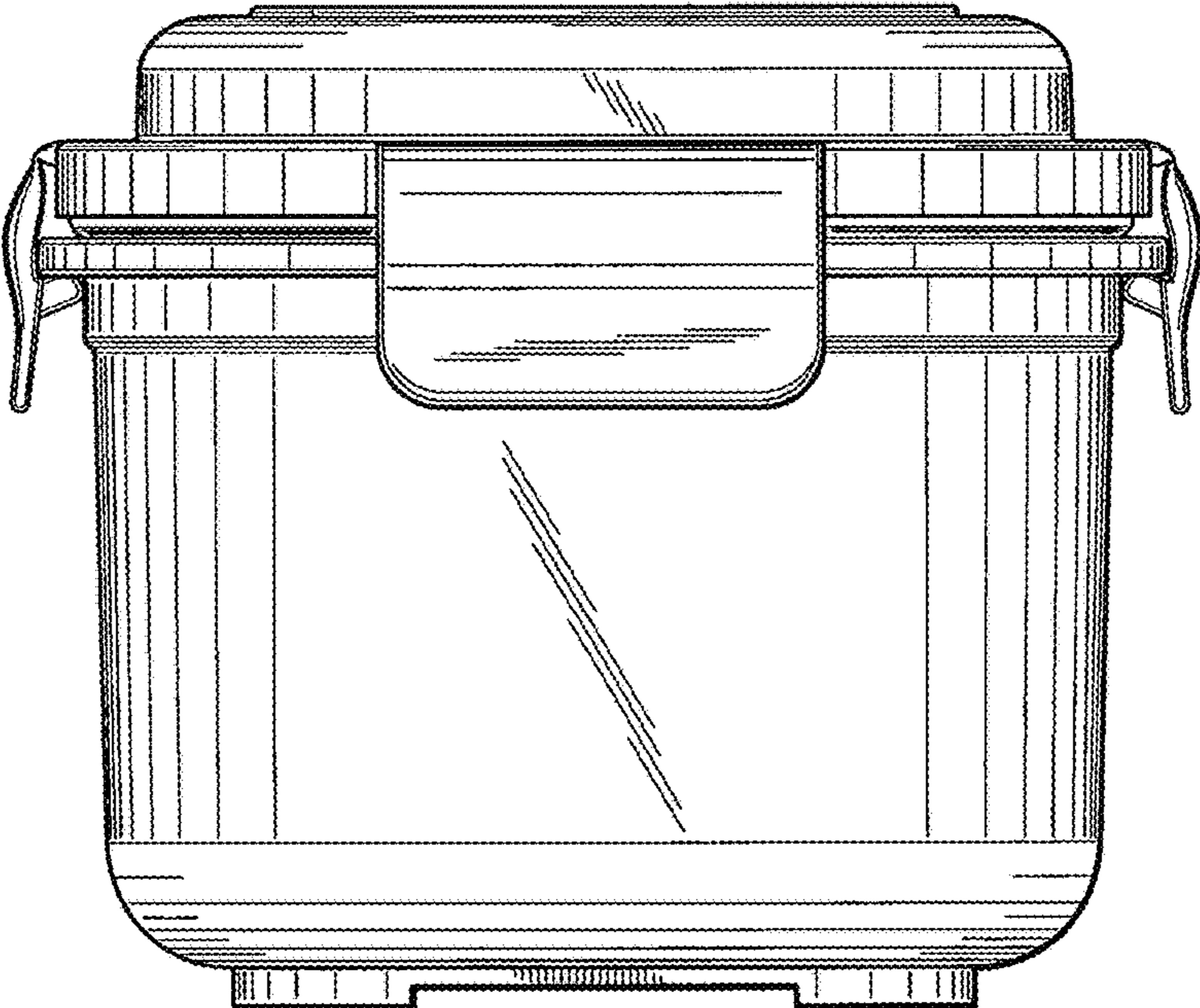


FIG. 2

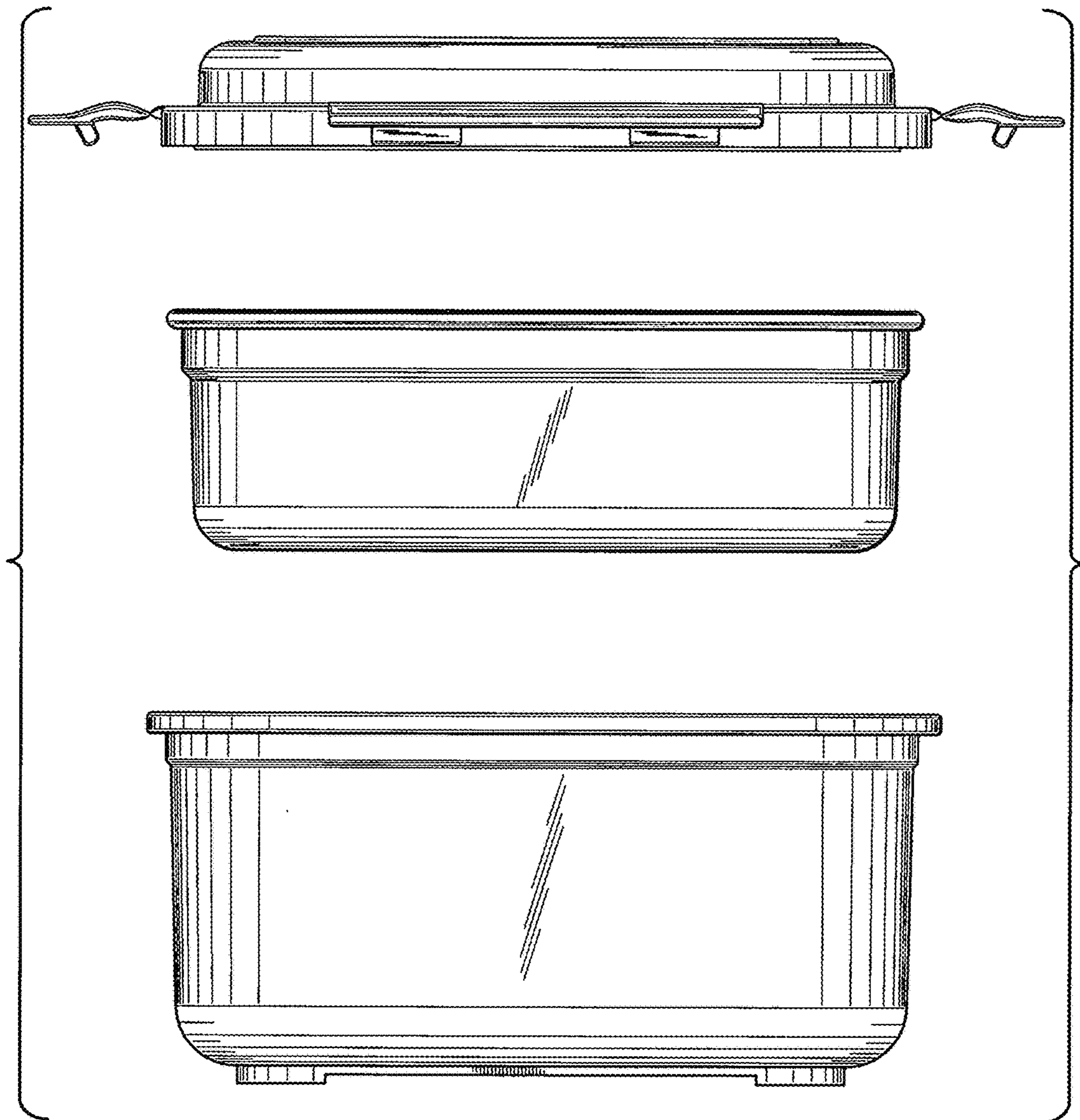


FIG. 3

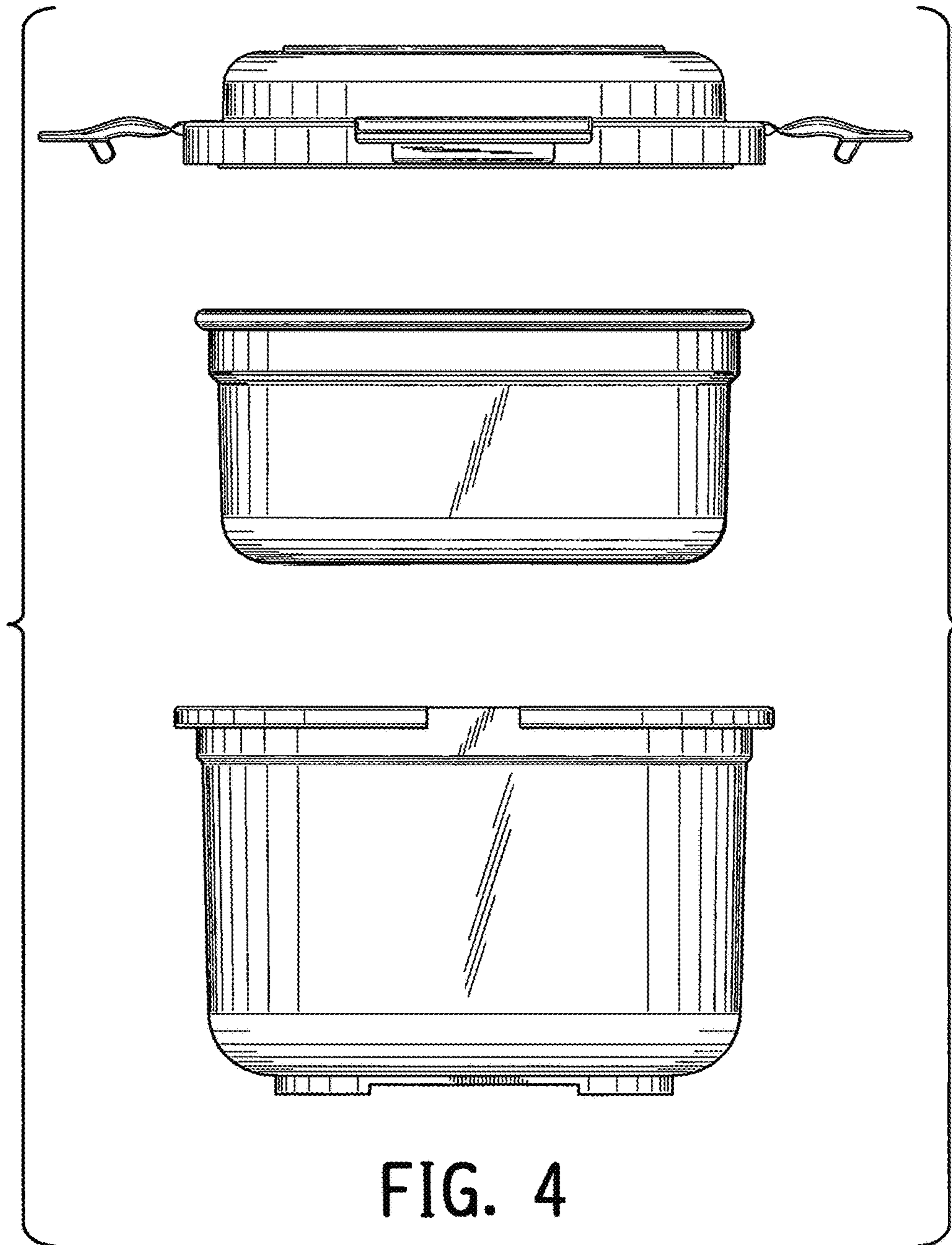


FIG. 4

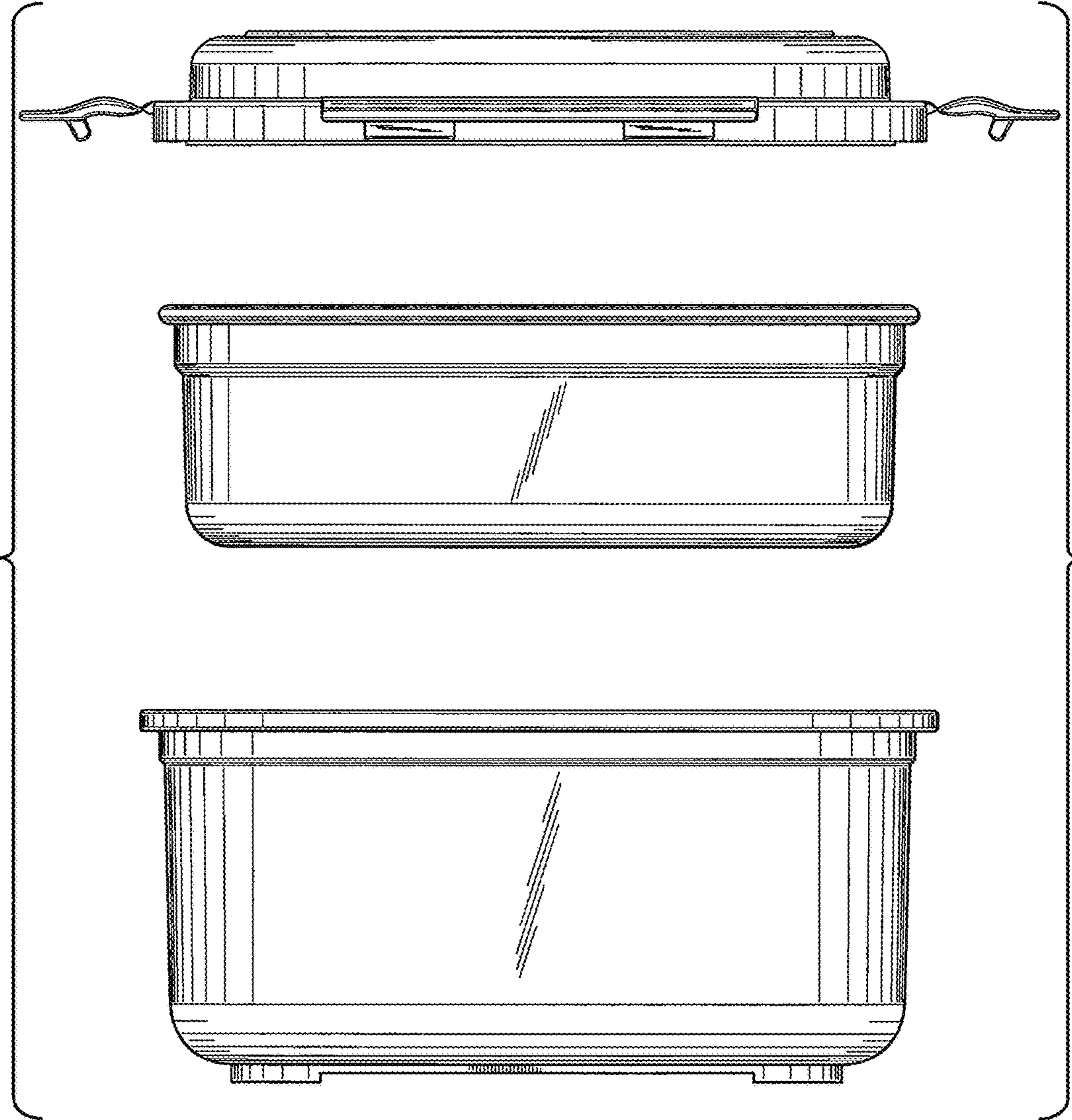


FIG. 5

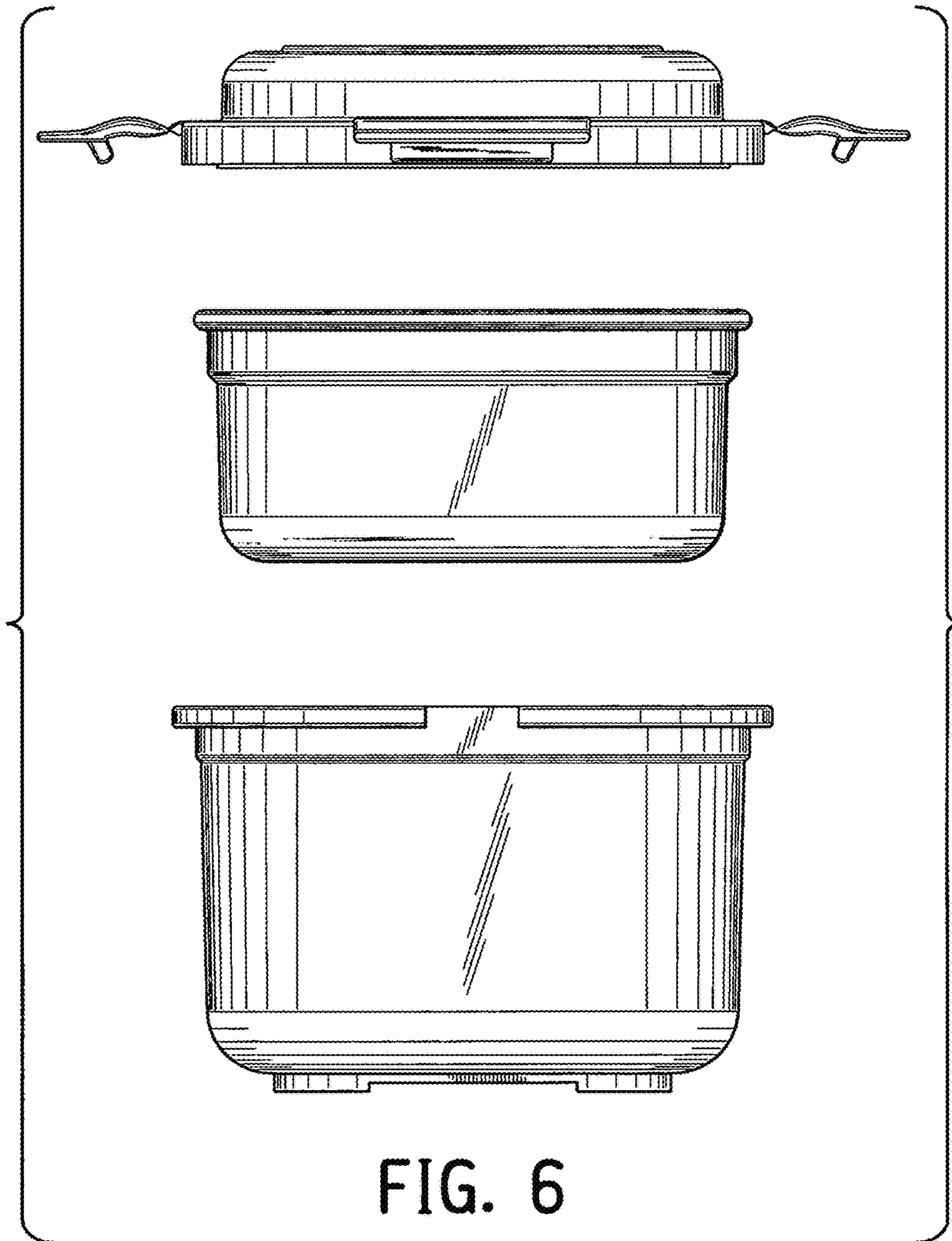


FIG. 6

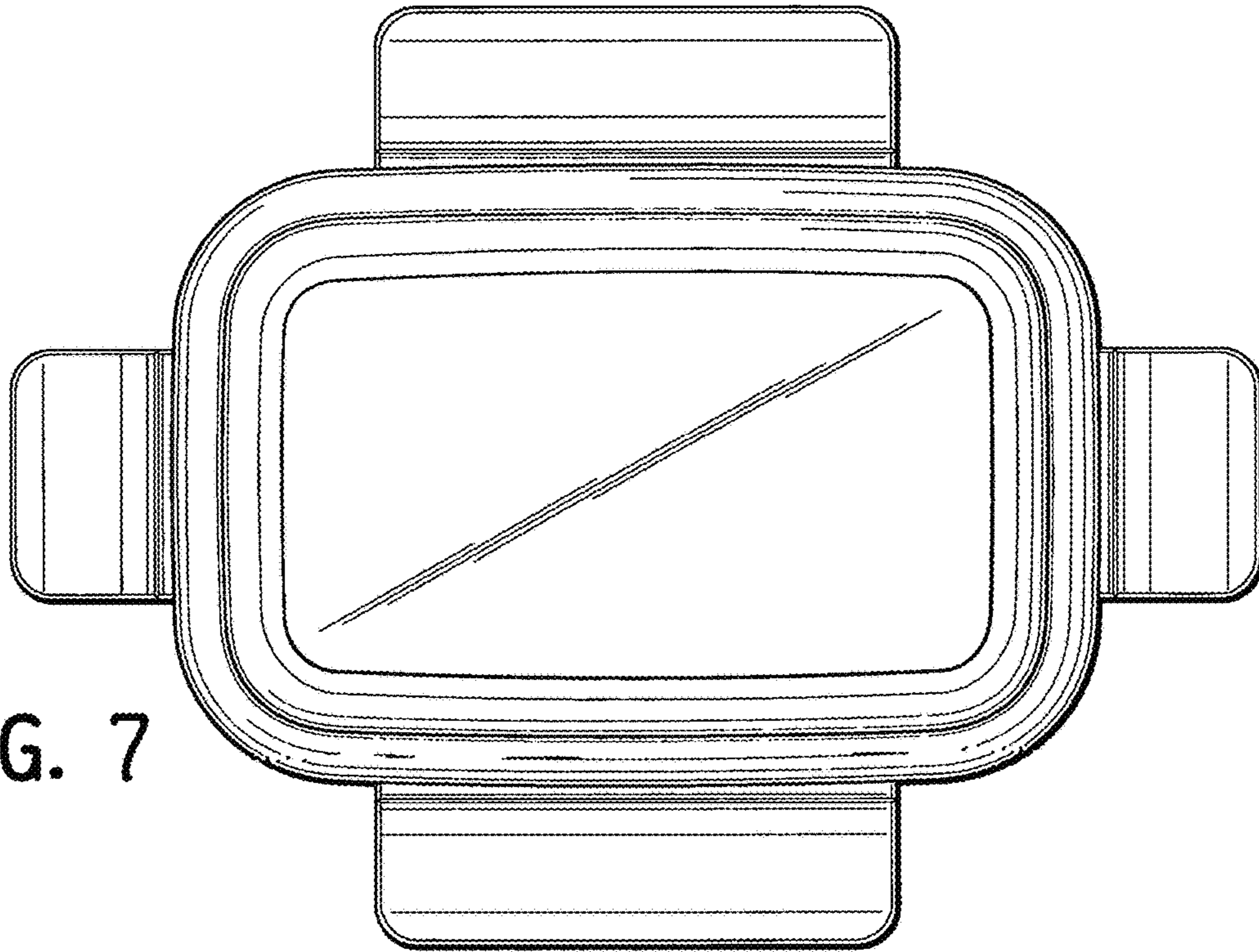


FIG. 7

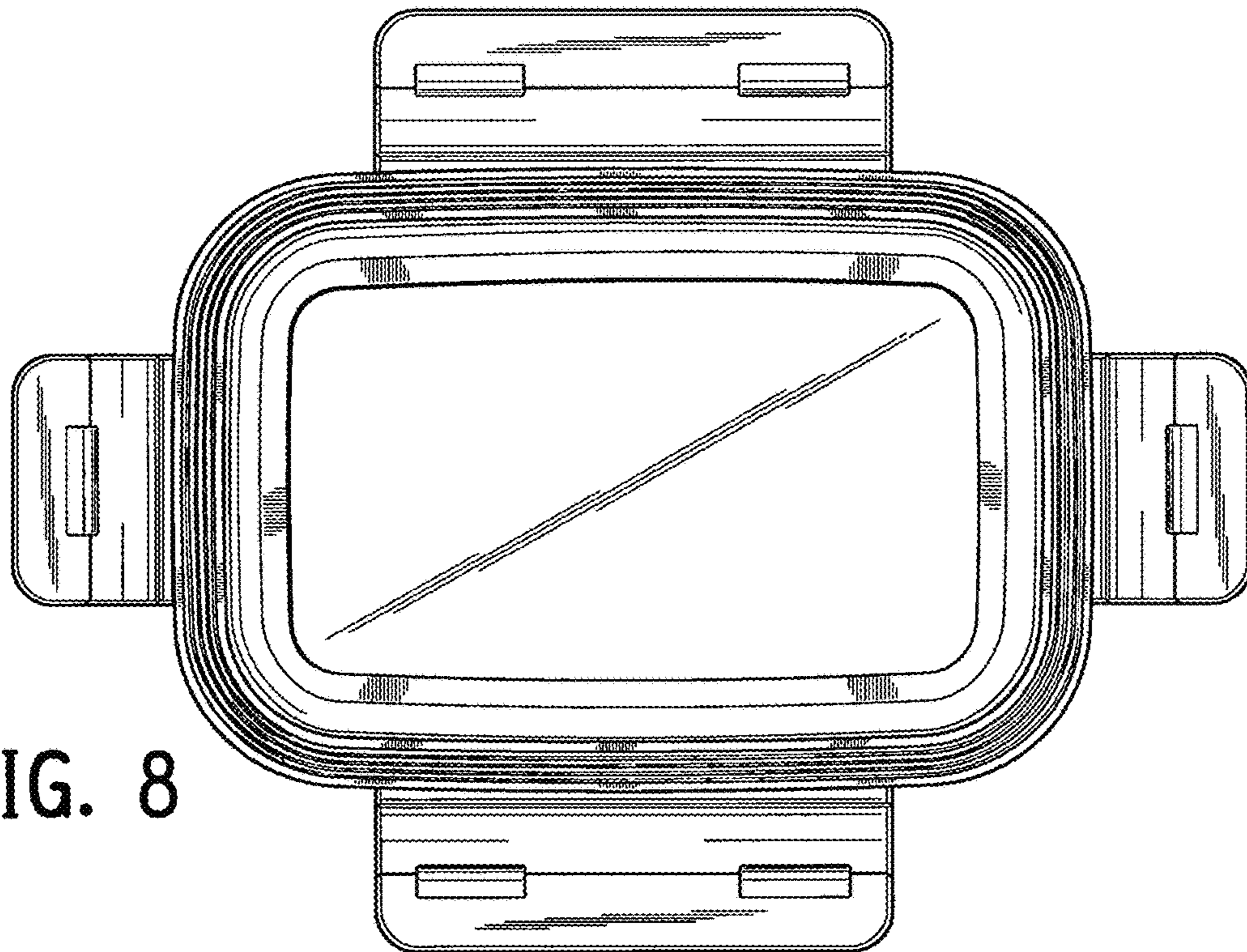


FIG. 8

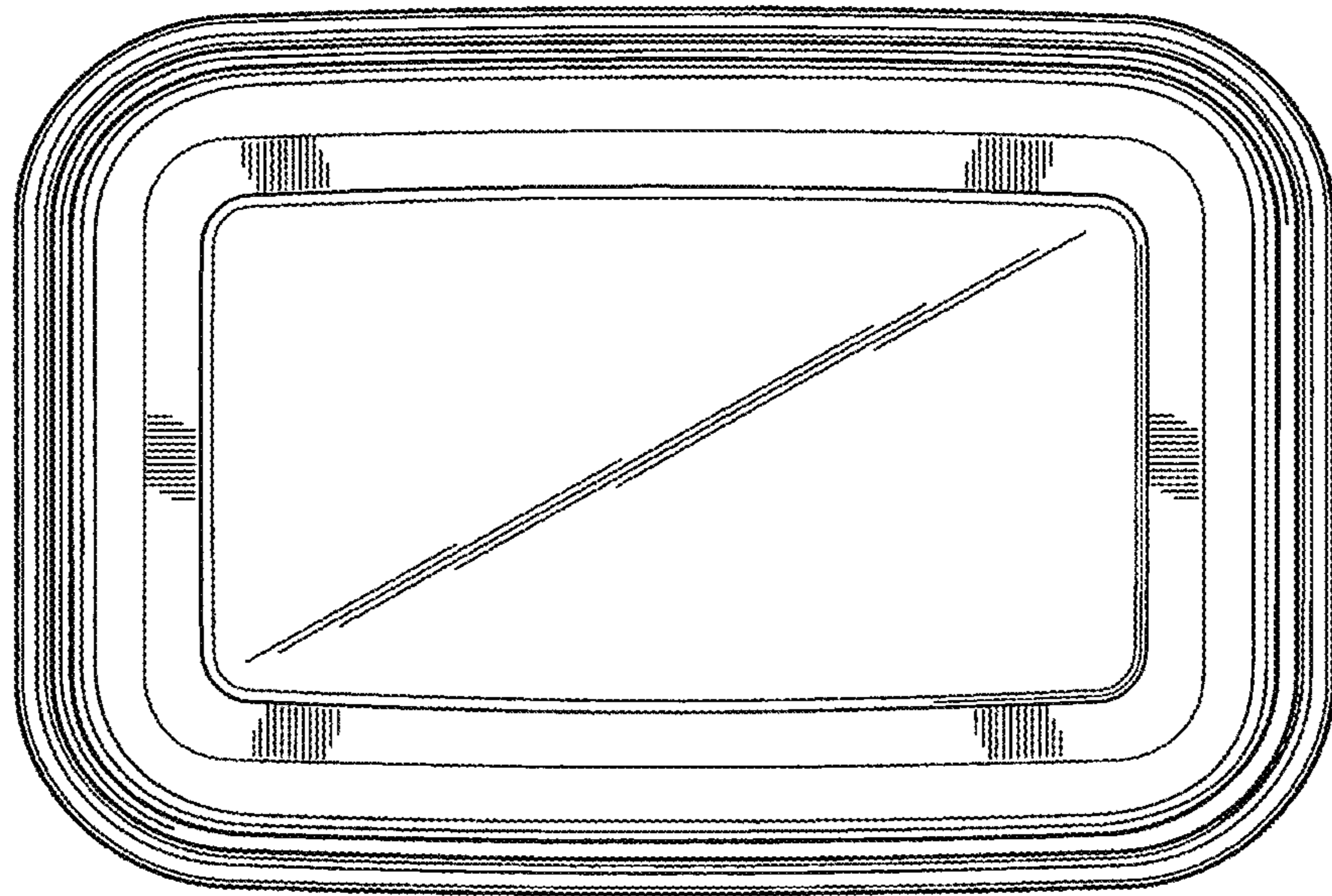


FIG. 9

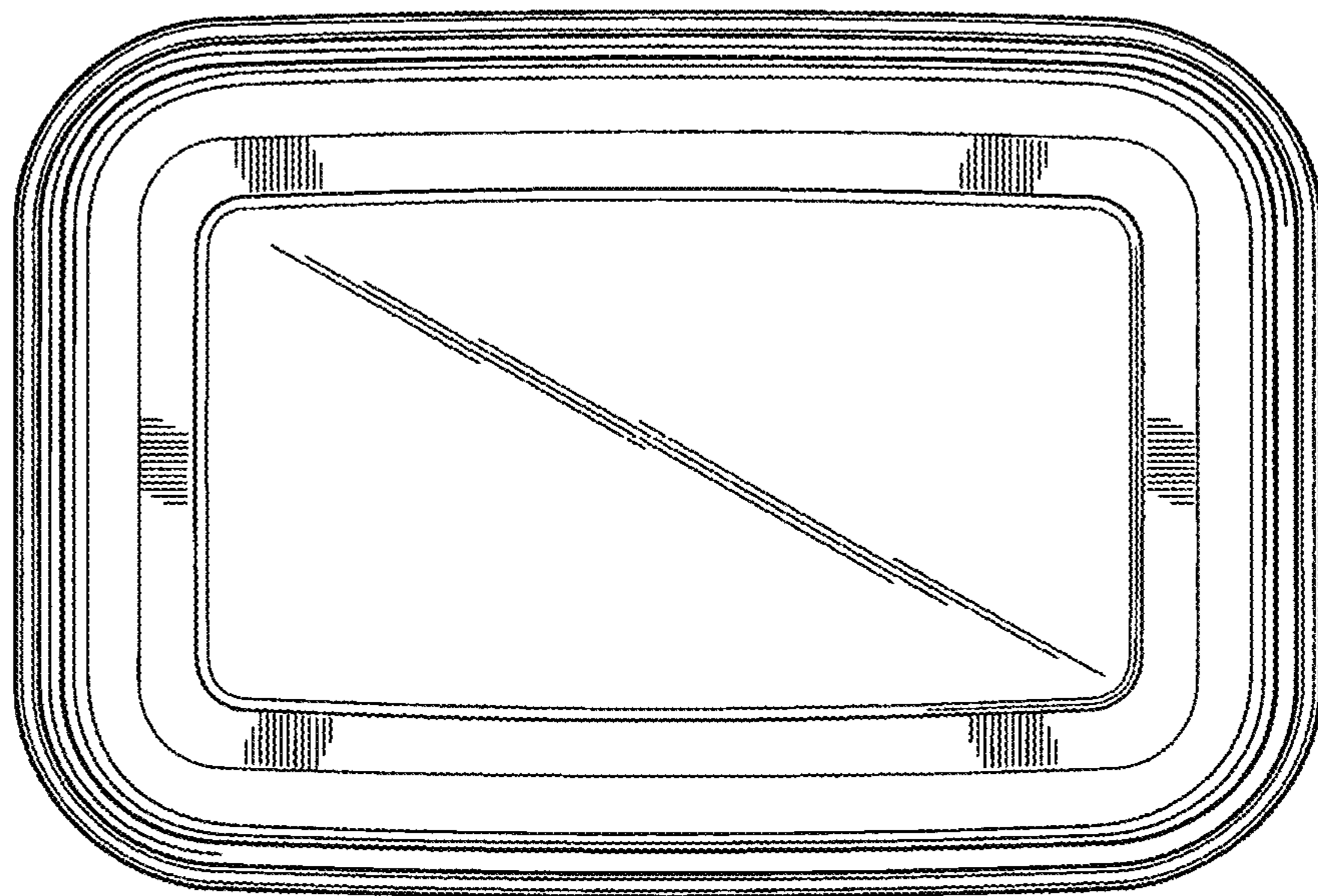


FIG. 10

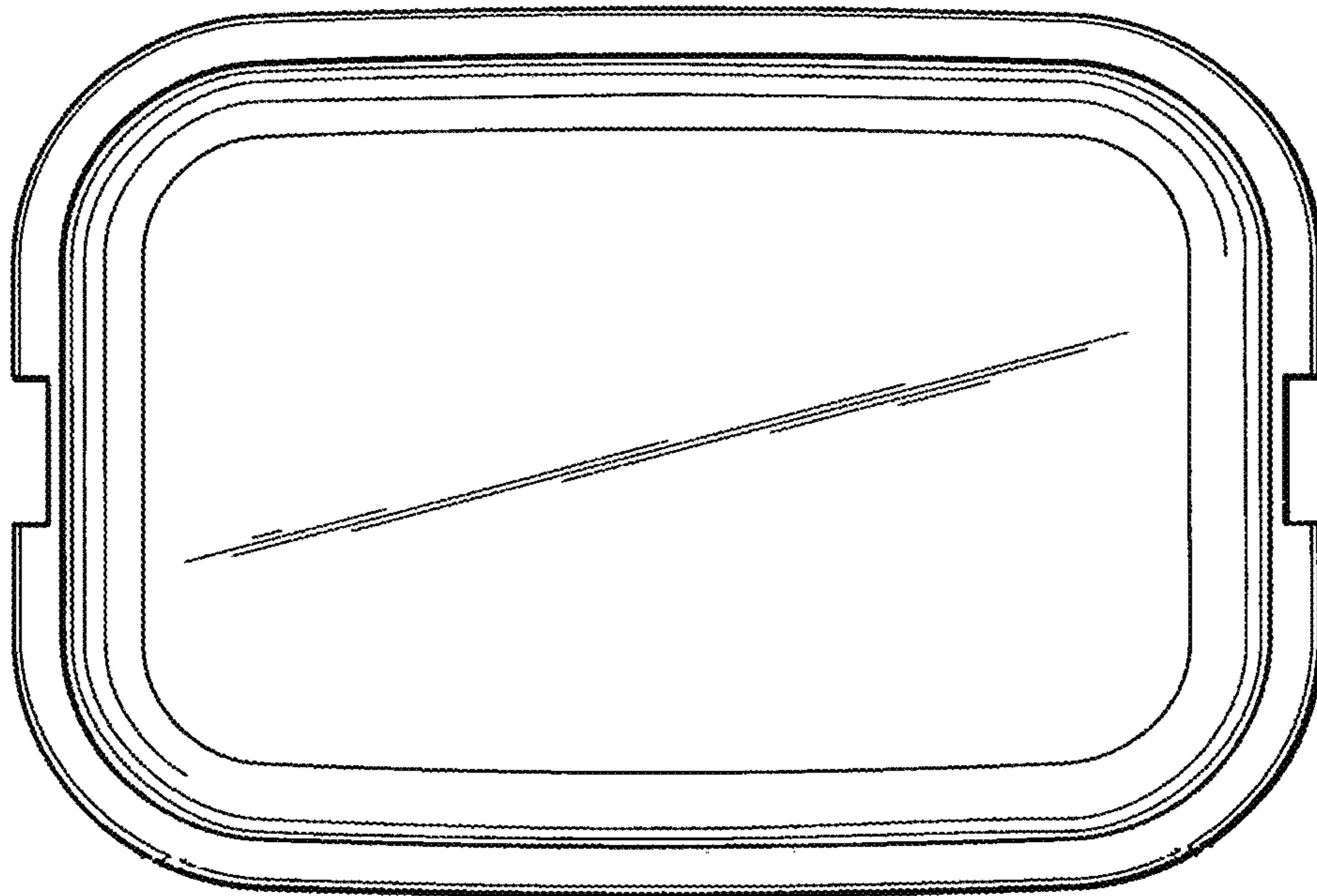


FIG. 11

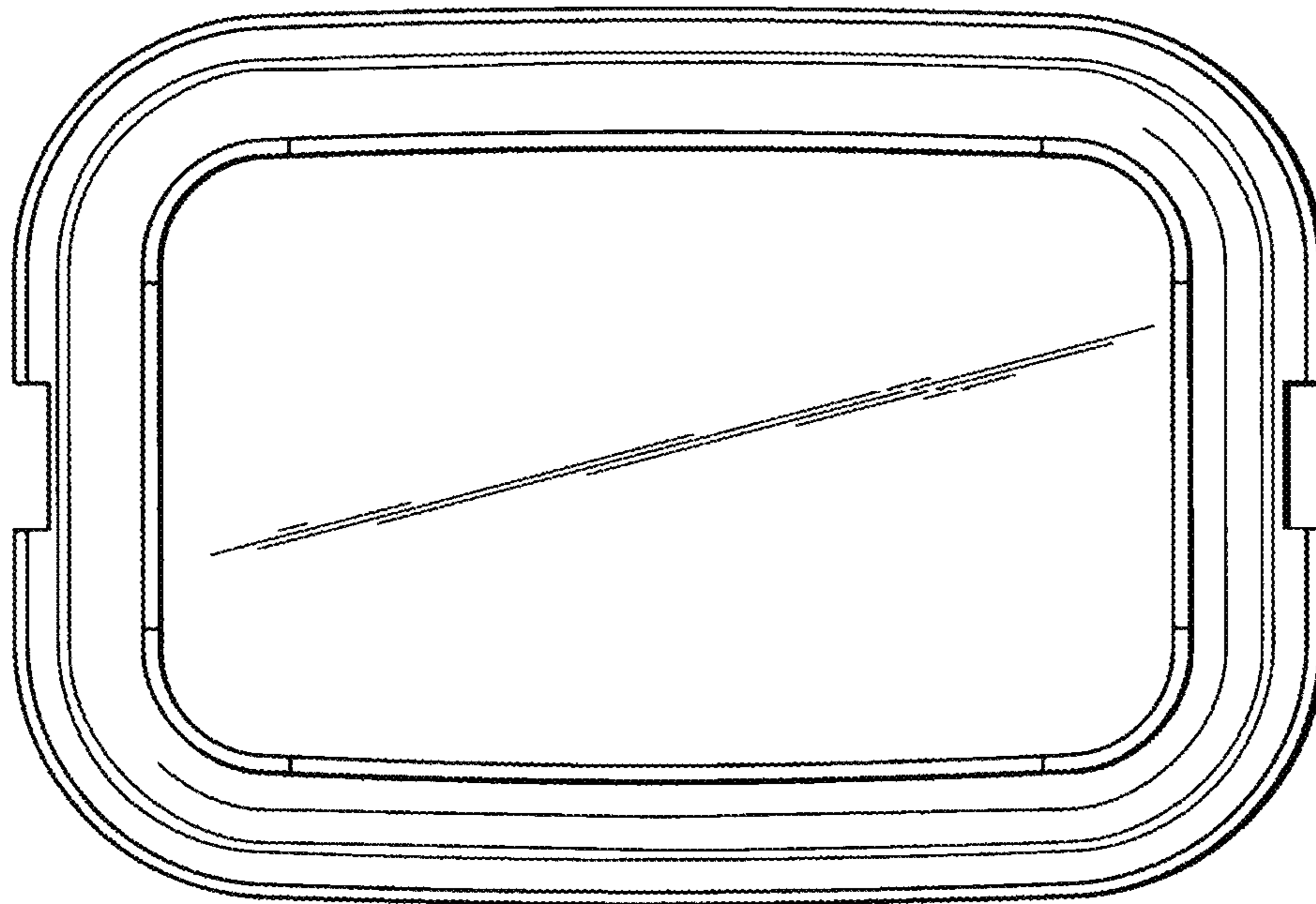


FIG. 12

FIG. 13

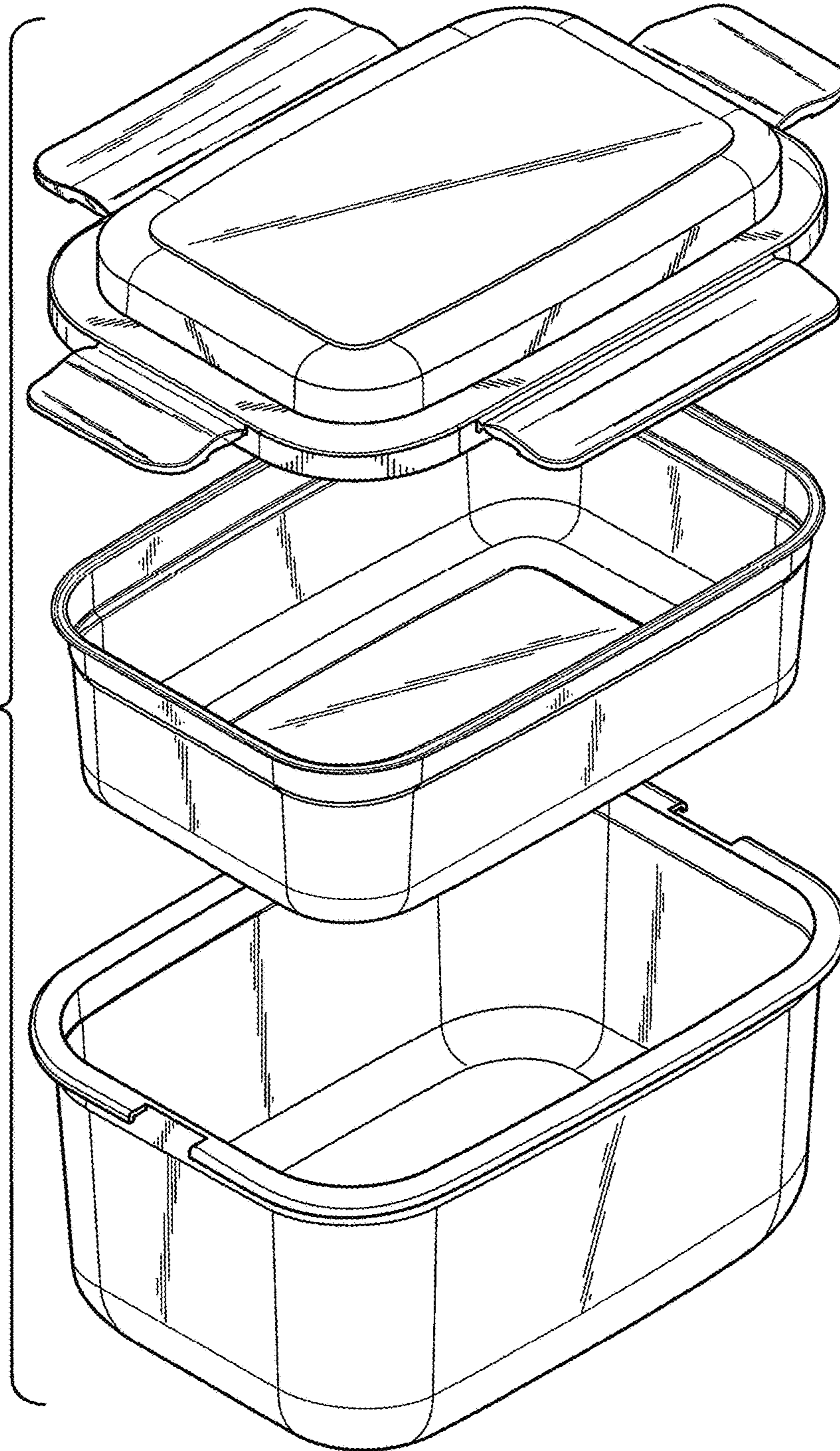


FIG. 14

