



US00D803629S

(12) **United States Design Patent** (10) **Patent No.:** **US D803,629 S**
Swift (45) **Date of Patent:** **** Nov. 28, 2017**

(54) **ELASTIC OUTER SLEEVE FOR FOOD WRAP CONTAINER**

(71) Applicant: **Daniel B. Swift**, Honolulu, HI (US)

(72) Inventor: **Daniel B. Swift**, Honolulu, HI (US)

(**) Term: **15 Years**

(21) Appl. No.: **29/580,544**

(22) Filed: **Oct. 11, 2016**

(51) **LOC (10) Cl.** **07-02**

(52) **U.S. Cl.**
USPC **D7/602**

(58) **Field of Classification Search**
USPC D7/602, 601, 628-630, 538-542, 586;
D3/273, 274, 201, 203.1-203.8;
D9/424-428, 429-432, 737, 756, 761;
220/4.23-4.25, 236, 324, 326, 574-575,
220/675, 780-790, 791-806
CPC B65D 2543/00101; B65D 2543/00194;
B65D 81/3453; B65D 21/02; B65D
21/0233; B65D 1/22; B65D 21/0238;
B65D 2543/00222; B65D 2543/00231;
A47J 47/14; A47J 47/16; A47G 2400/10;
A45C 11/20

See application file for complete search history.

(56) **References Cited**

U.S. PATENT DOCUMENTS

D264,791 S *	6/1982	Conti	D3/314
D266,049 S *	9/1982	Conti	D7/602
D614,919 S *	5/2010	Carlson	D7/602
D700,481 S *	3/2014	Yessin	D7/602
D759,421 S *	6/2016	Wiggins	7/602

* cited by examiner

Primary Examiner — Wan Laymon

Assistant Examiner — Mark Booker

(74) *Attorney, Agent, or Firm* — Leighton K. Chong

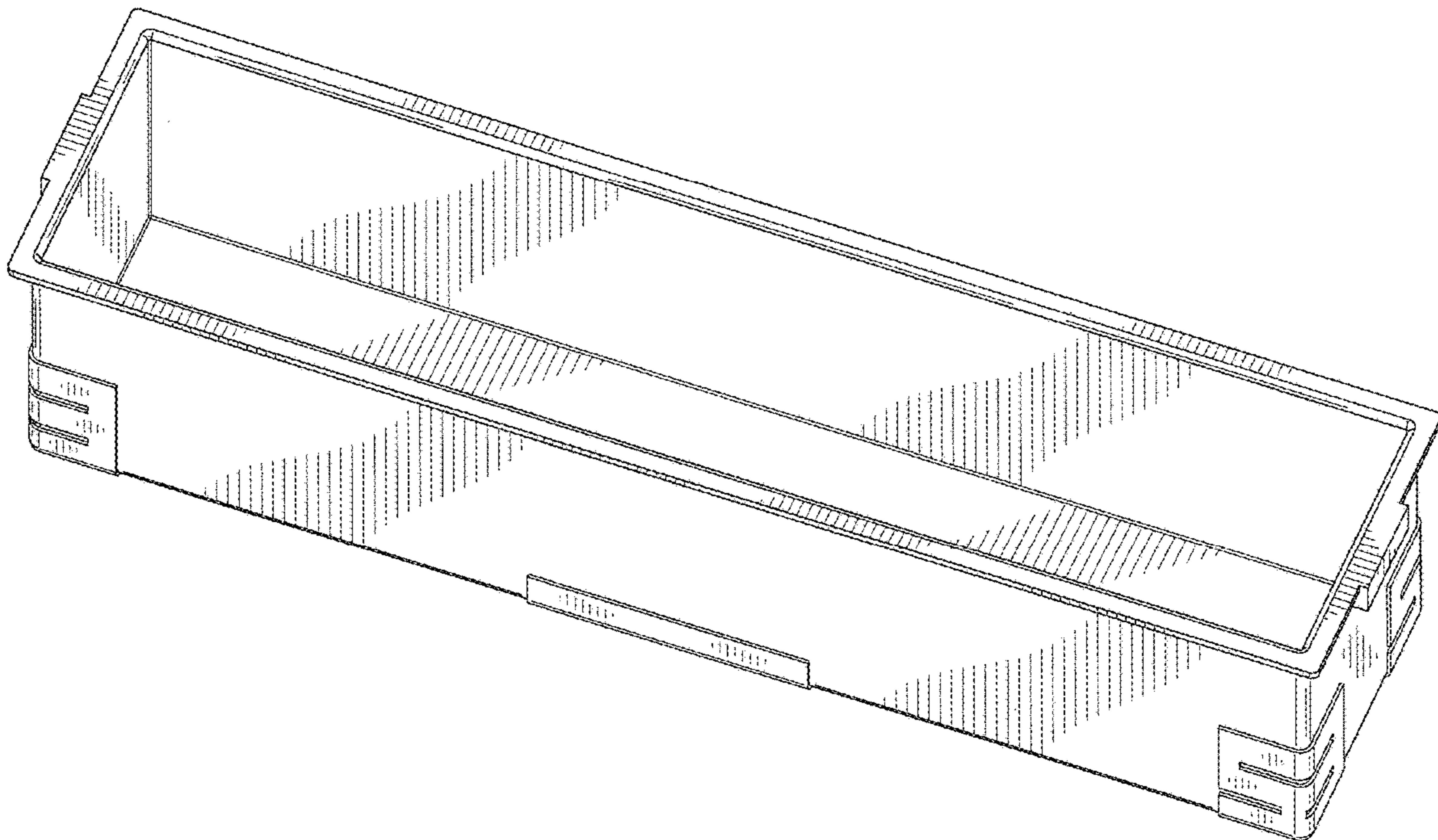
(57) **CLAIM**

The ornamental design for an elastic outer sleeve for food wrap container, as shown and described.

DESCRIPTION

FIG. 1 is a top perspective view of my new design for an elastic outer sleeve for food wrap container; FIG. 2 is a bottom perspective view thereof; FIG. 3 is a front view thereof; FIG. 4 is a rear view thereof; FIG. 5 is a right side view thereof; FIG. 6 is a left side view thereof; FIG. 7 is a top view thereof; and, FIG. 8 is a bottom view thereof.

1 Claim, 5 Drawing Sheets



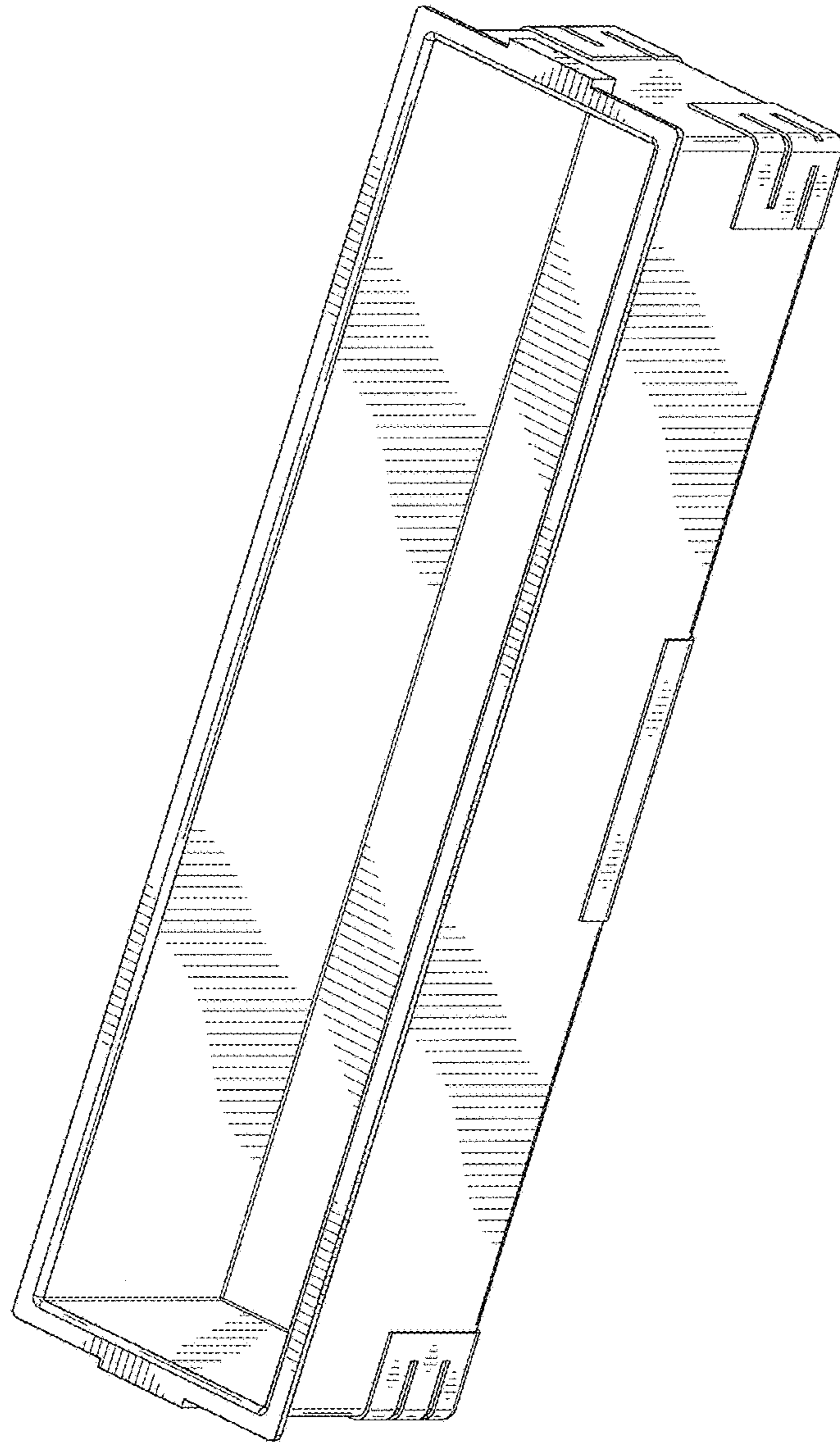


FIG. 1

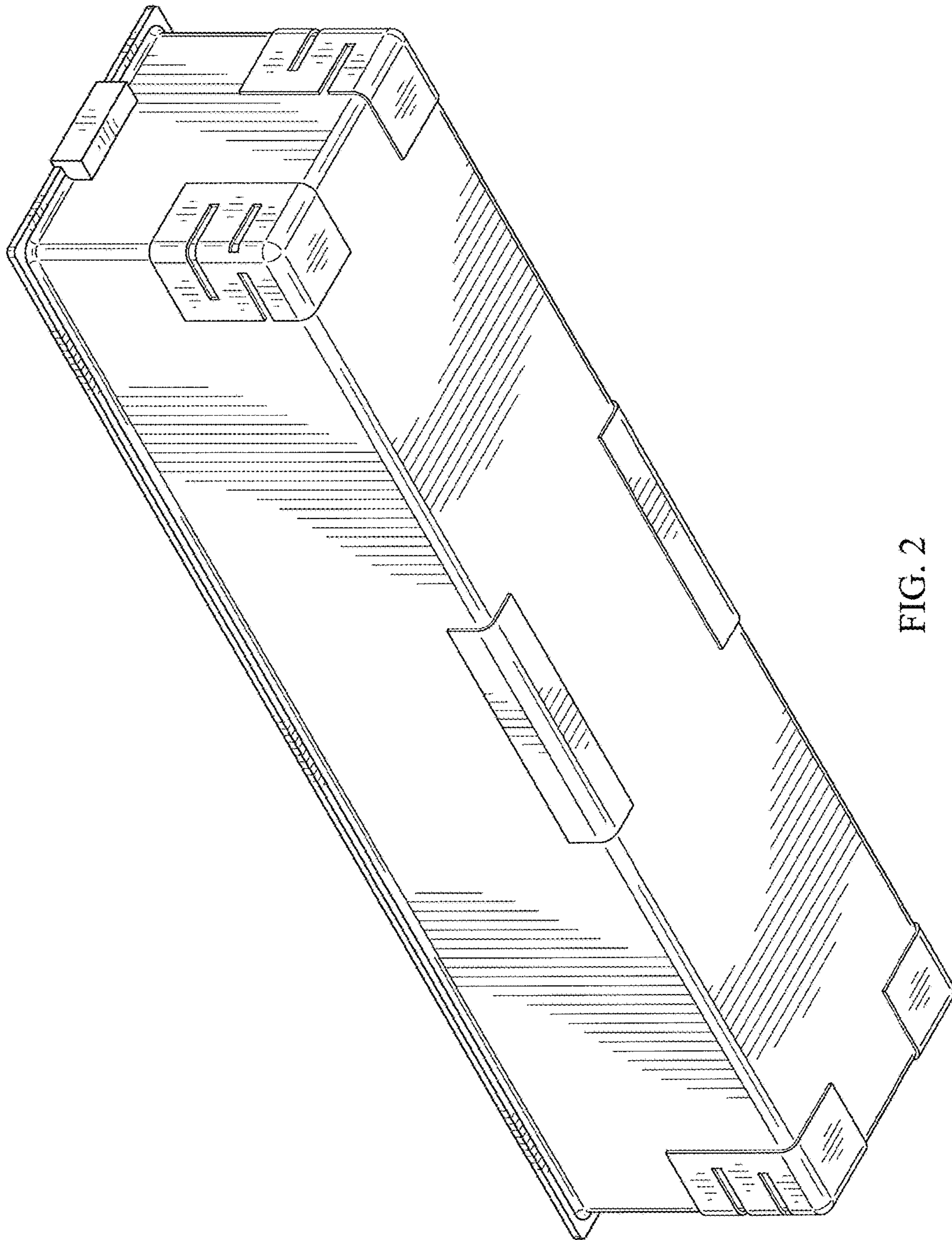


FIG. 2

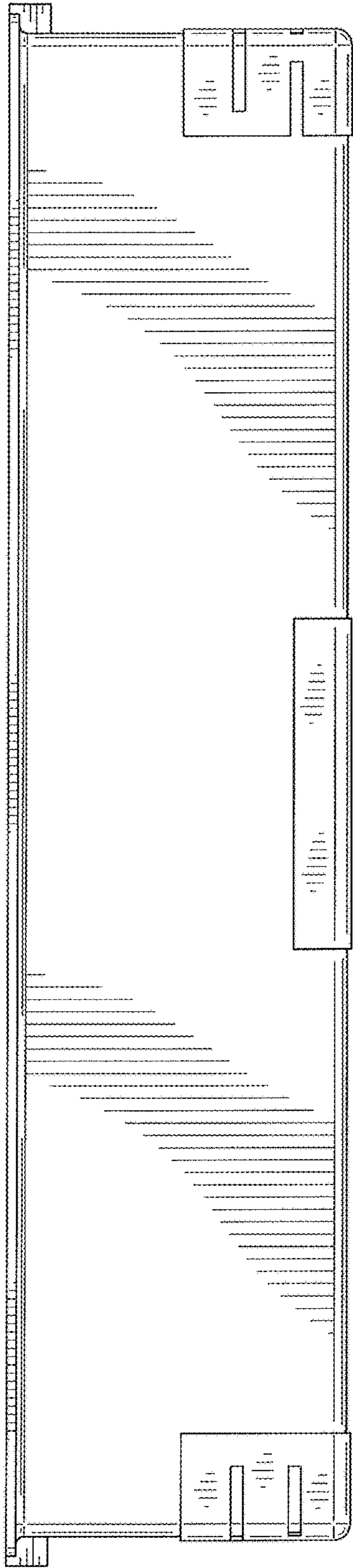


FIG. 3

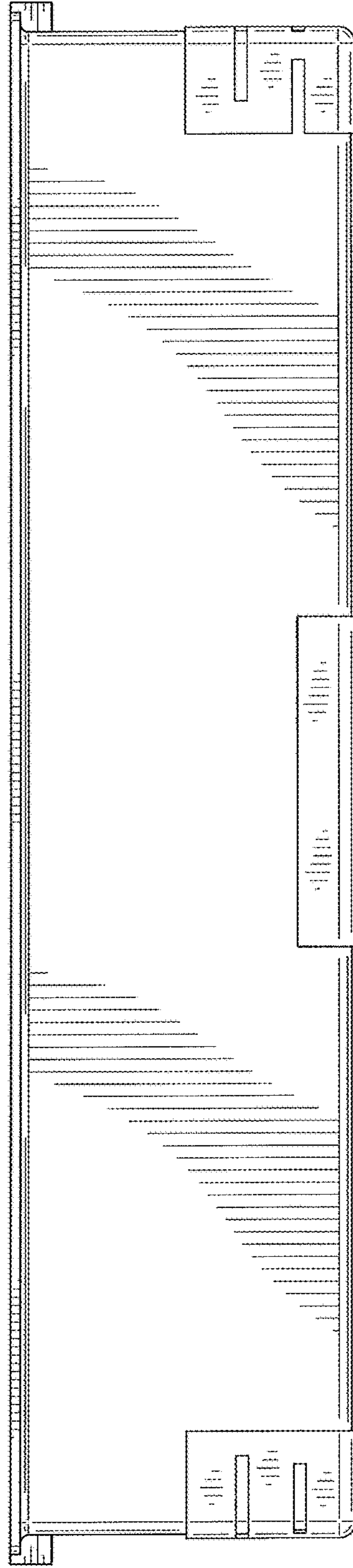


FIG. 4

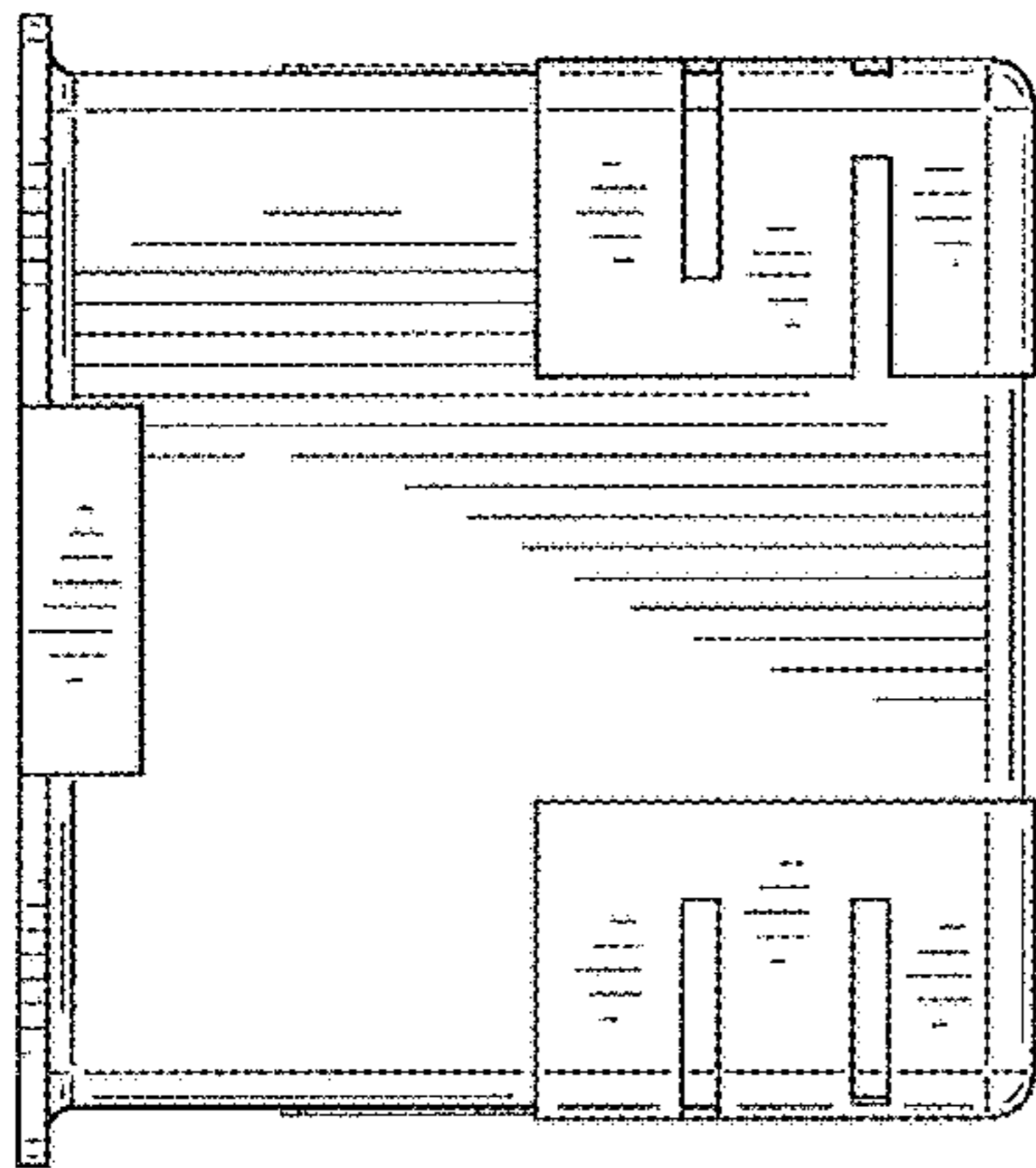


FIG. 5

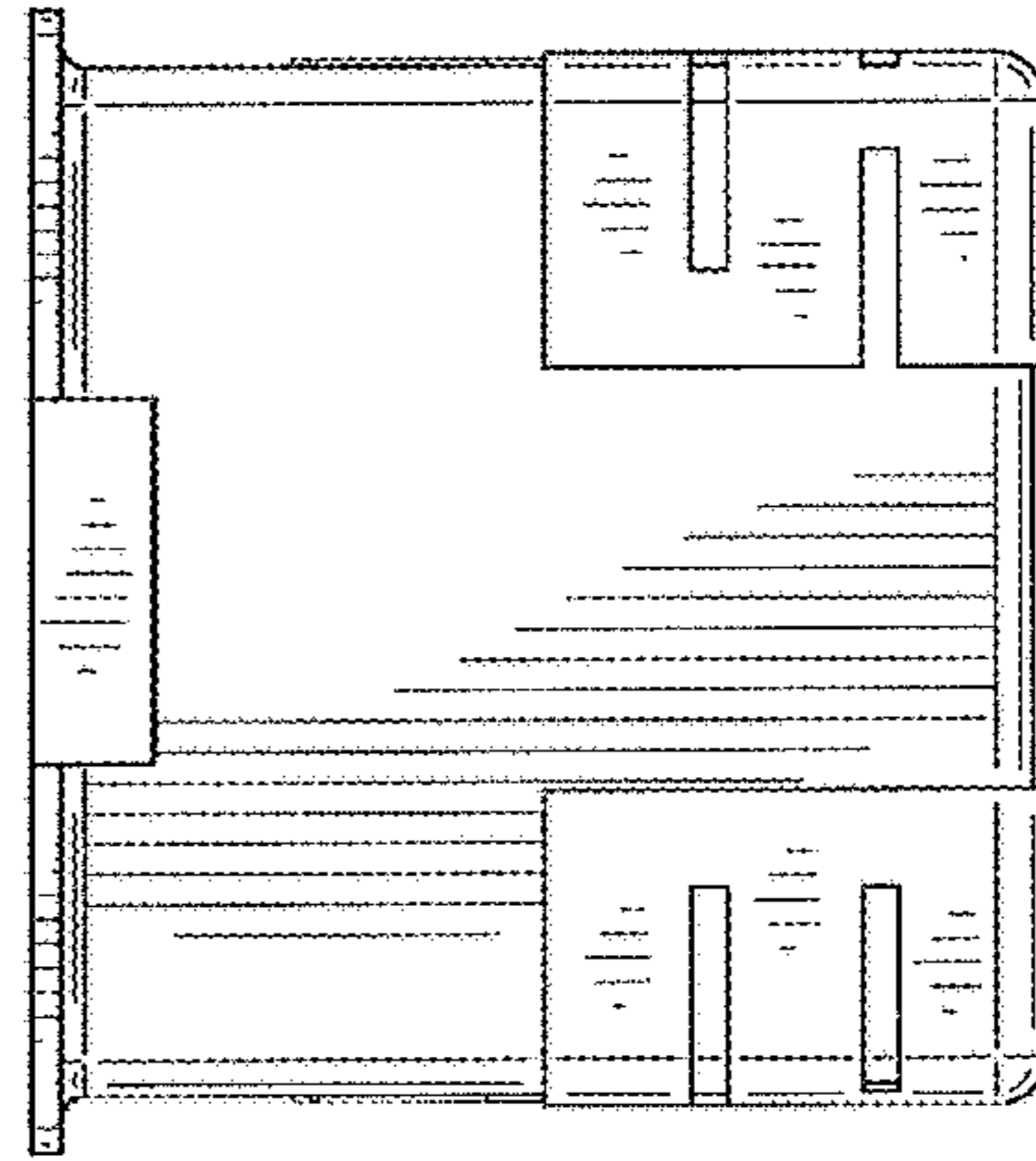


FIG. 6

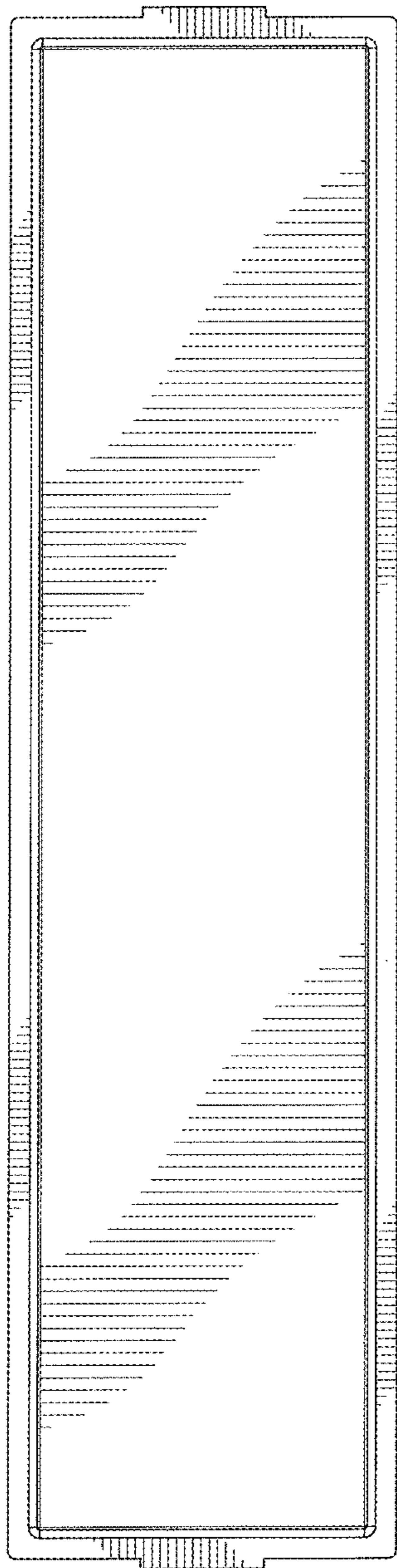


FIG. 7

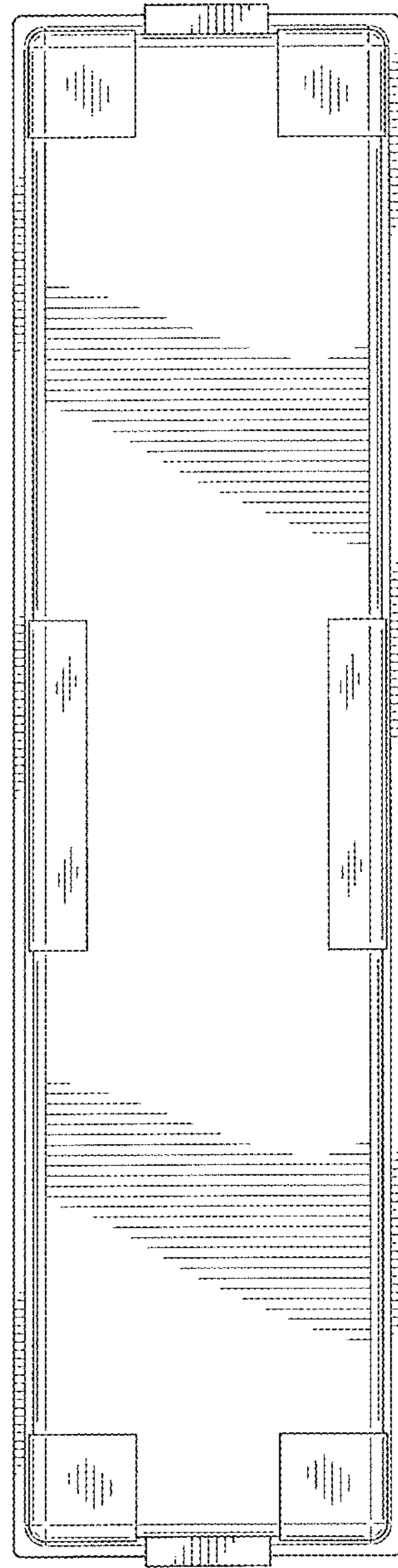


FIG. 8