



US00D803627S

(12) **United States Design Patent** (10) **Patent No.:** **US D803,627 S**
Wrightson et al. (45) **Date of Patent:** **** Nov. 28, 2017**

(54) **SNACK BOWL**

(71) Applicant: **EVENTMAX DESIGN, LLC,**
Collinsville, IL (US)

(72) Inventors: **Richard Hastings Wrightson,** Los Angeles, CA (US); **Dallas Aaron Amsden,** Collinsville, IL (US)

(73) Assignee: **EVENTMAX DESIGN, LLC,**
Collinsville, IL (US)

(**) Term: **15 Years**

(21) Appl. No.: **29/578,007**

(22) Filed: **Sep. 16, 2016**

Related U.S. Application Data

(63) Continuation-in-part of application No. 29/543,379, filed on Oct. 23, 2015.

(51) **LOC (10) Cl.** **07-01**

(52) **U.S. Cl.**
USPC **D7/553.2; D7/555**

(58) **Field of Classification Search**
USPC D7/538, 500, 505, 539, 543, 57, 581, D7/629, 540, 541, 555, 603, 602, 609, D7/554.2; D9/425, 424, 428, 426, 737, D9/761; 220/810, 270, 326; 229/406
CPC A47G 21/001; B65D 43/162; B65D 43/0249; B65D 43/26
See application file for complete search history.

(56) **References Cited**

U.S. PATENT DOCUMENTS

D55,218 S * 5/1920 Torgeson 220/23.8
D123,472 S * 11/1940 Caldwell D7/388

D282,233 S * 1/1986 Kelley D19/75
D324,546 S * 3/1992 Casolin D19/75
D363,853 S * 11/1995 Smith D7/504
D426,110 S * 6/2000 Schmidt D7/549
D604,105 S * 11/2009 Metcalfe D7/388
D605,896 S * 12/2009 Zalewski D7/553.1
D609,058 S * 2/2010 Roth D7/602
D693,646 S * 11/2013 Katterheinrich D7/555
D695,077 S * 12/2013 Chase D7/555
D707,085 S * 6/2014 Carmichael D7/554.2
D731,248 S * 6/2015 Breton D7/553.2
D734,098 S * 7/2015 Breton D7/553.6
D743,212 S * 11/2015 Habig D7/555
D745,807 S * 12/2015 Harris D7/553.2
D753,443 S * 4/2016 Mock D7/555

* cited by examiner

Primary Examiner — Cynthia Underwood
(74) *Attorney, Agent, or Firm* — Hankin Patent Law, APC; Kevin Schraven; Anooj Patel

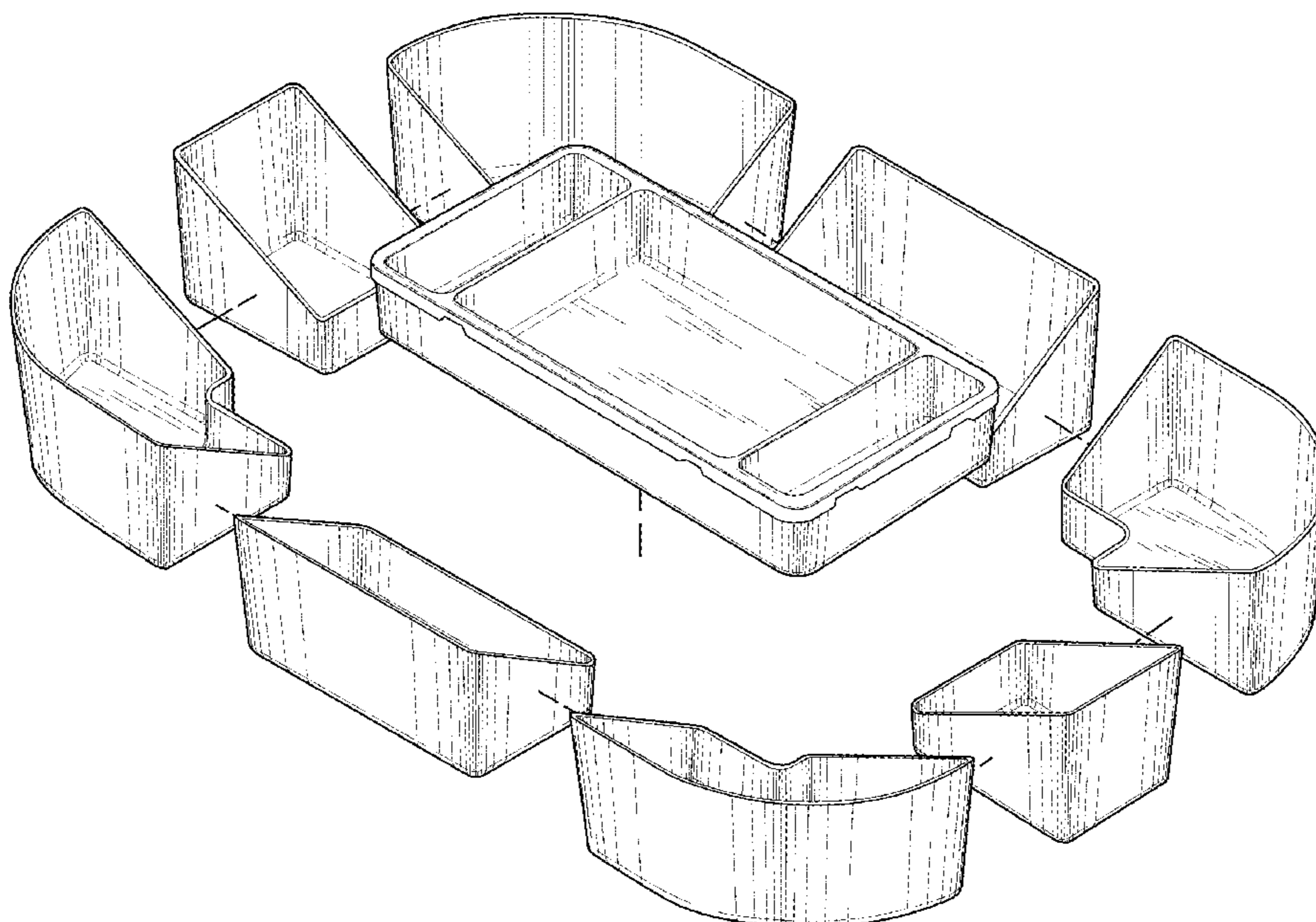
(57) **CLAIM**

The ornamental design for a snack bowl, as shown and described.

DESCRIPTION

FIG. 1 is a top perspective view of a snack bowl, showing our new design.
FIG. 2 is a bottom perspective view thereof.
FIG. 3 is a right side elevational view thereof.
FIG. 4 is a left side elevational view thereof.
FIG. 5 is a rear elevational view thereof.
FIG. 6 is a front elevational view thereof.
FIG. 7 is a top plan view thereof.
FIG. 8 is a bottom plan view thereof; and,
FIG. 9 is a top perspective exploded view thereof.

1 Claim, 9 Drawing Sheets



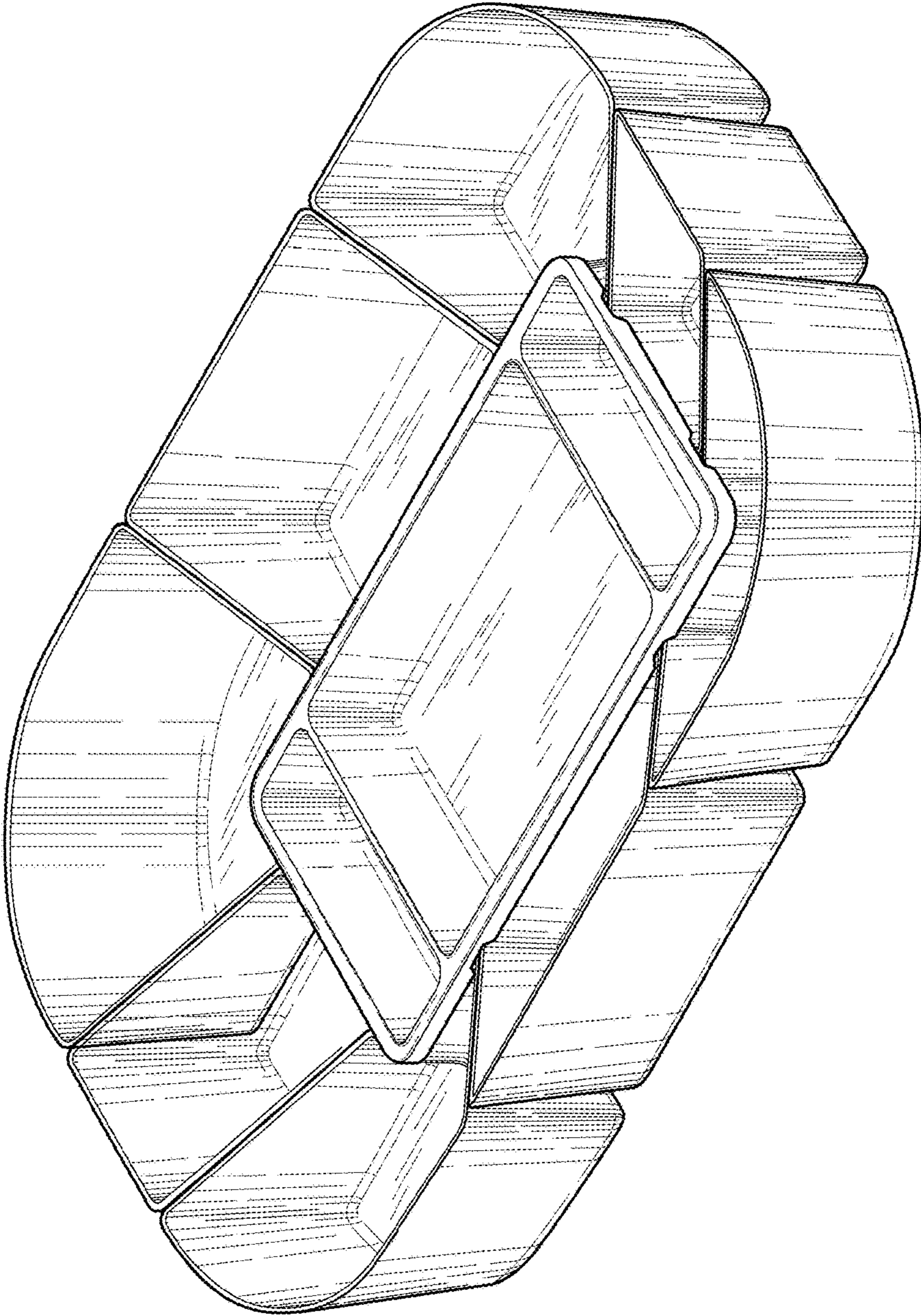


Fig.1

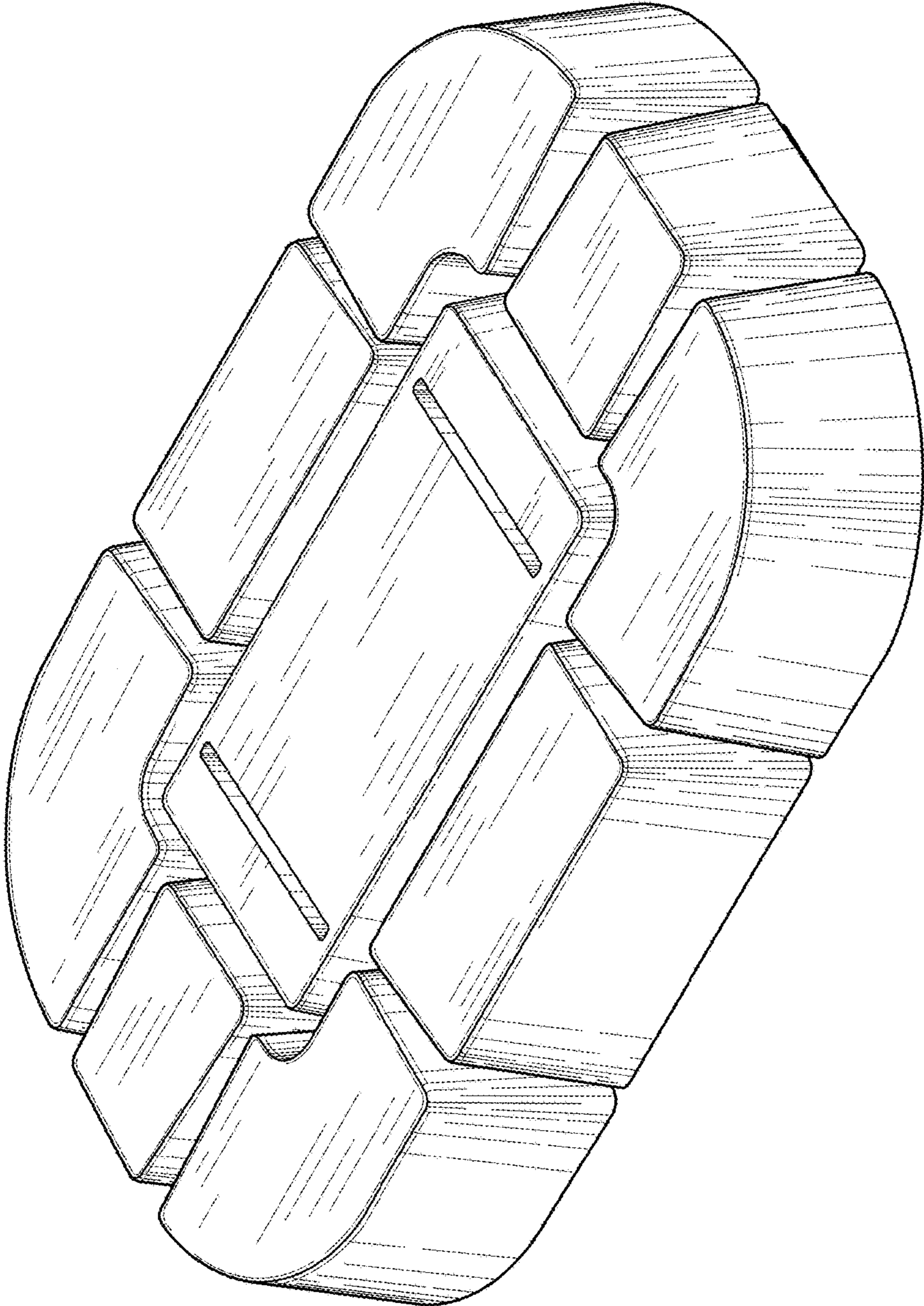


Fig. 2

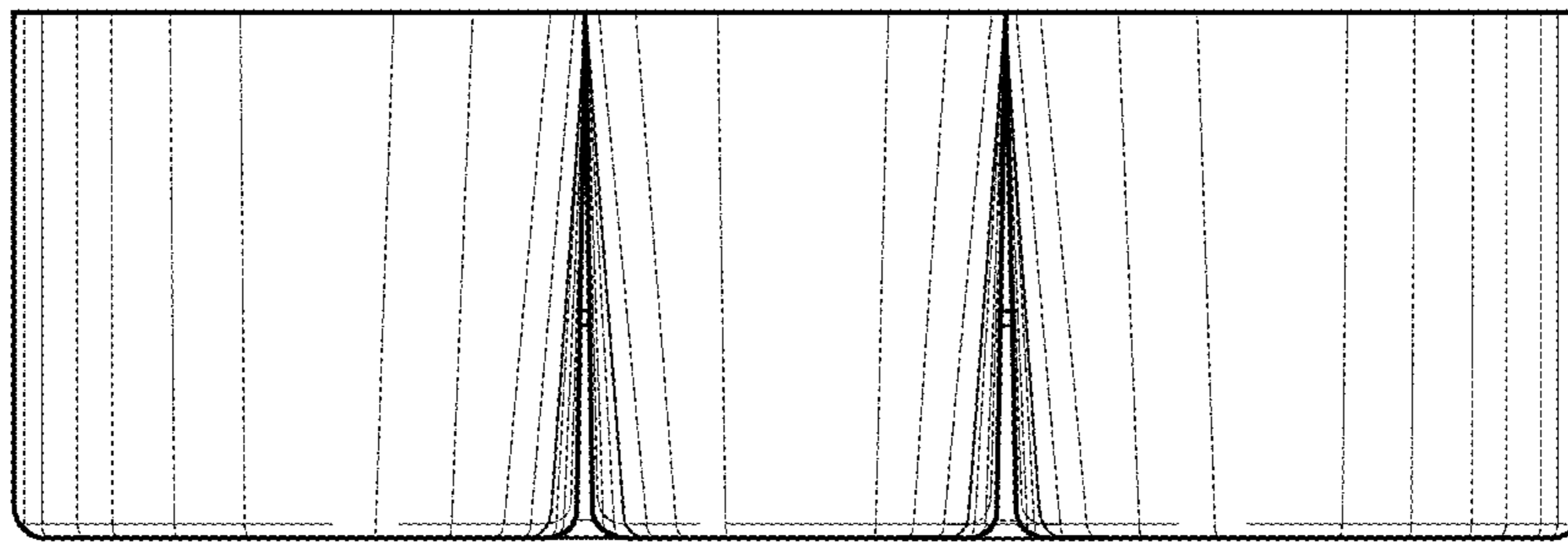


Fig. 3

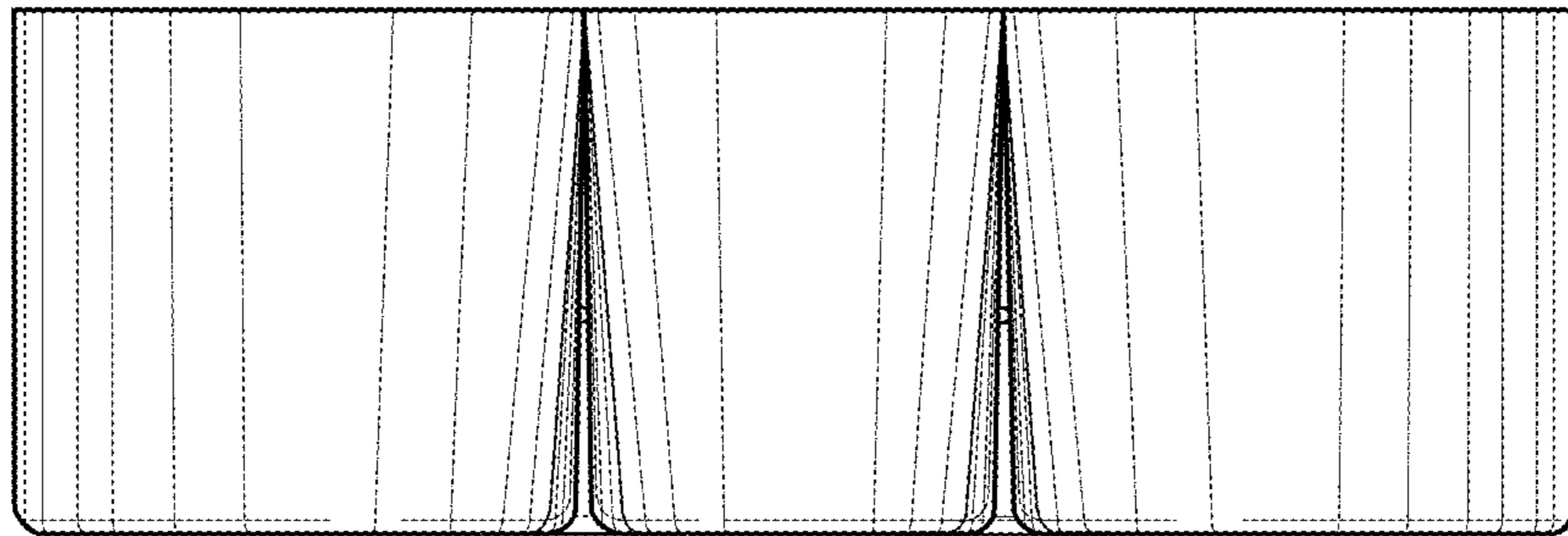


Fig. 4

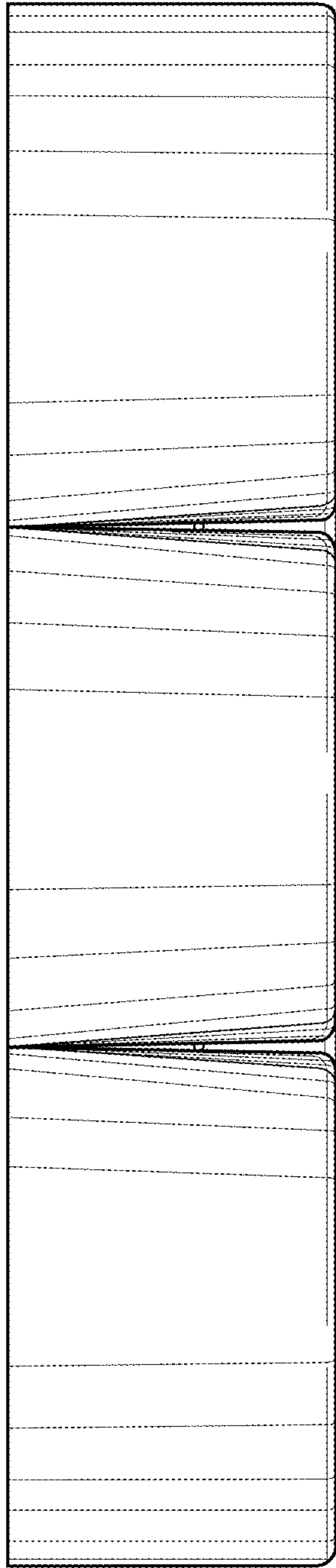


Fig. 5

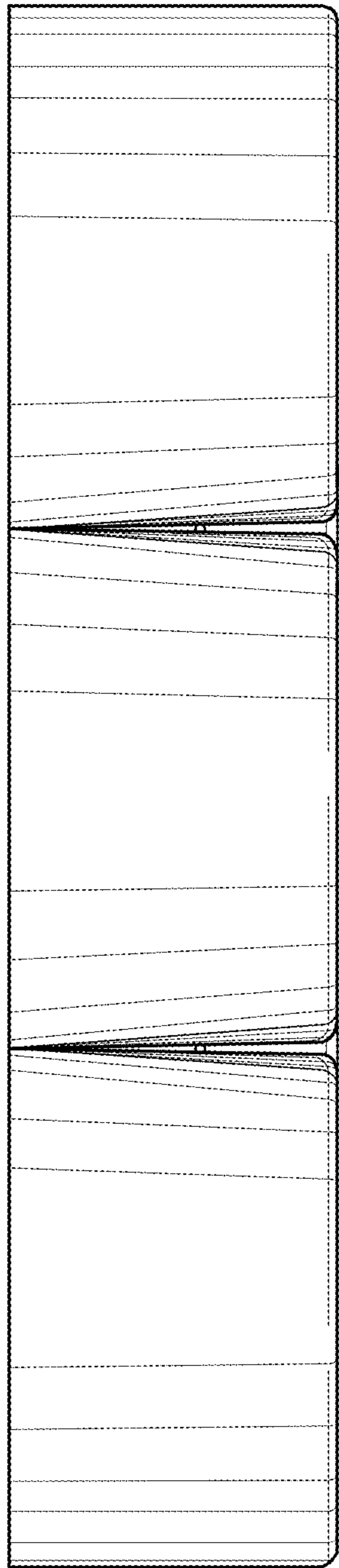


Fig. 6

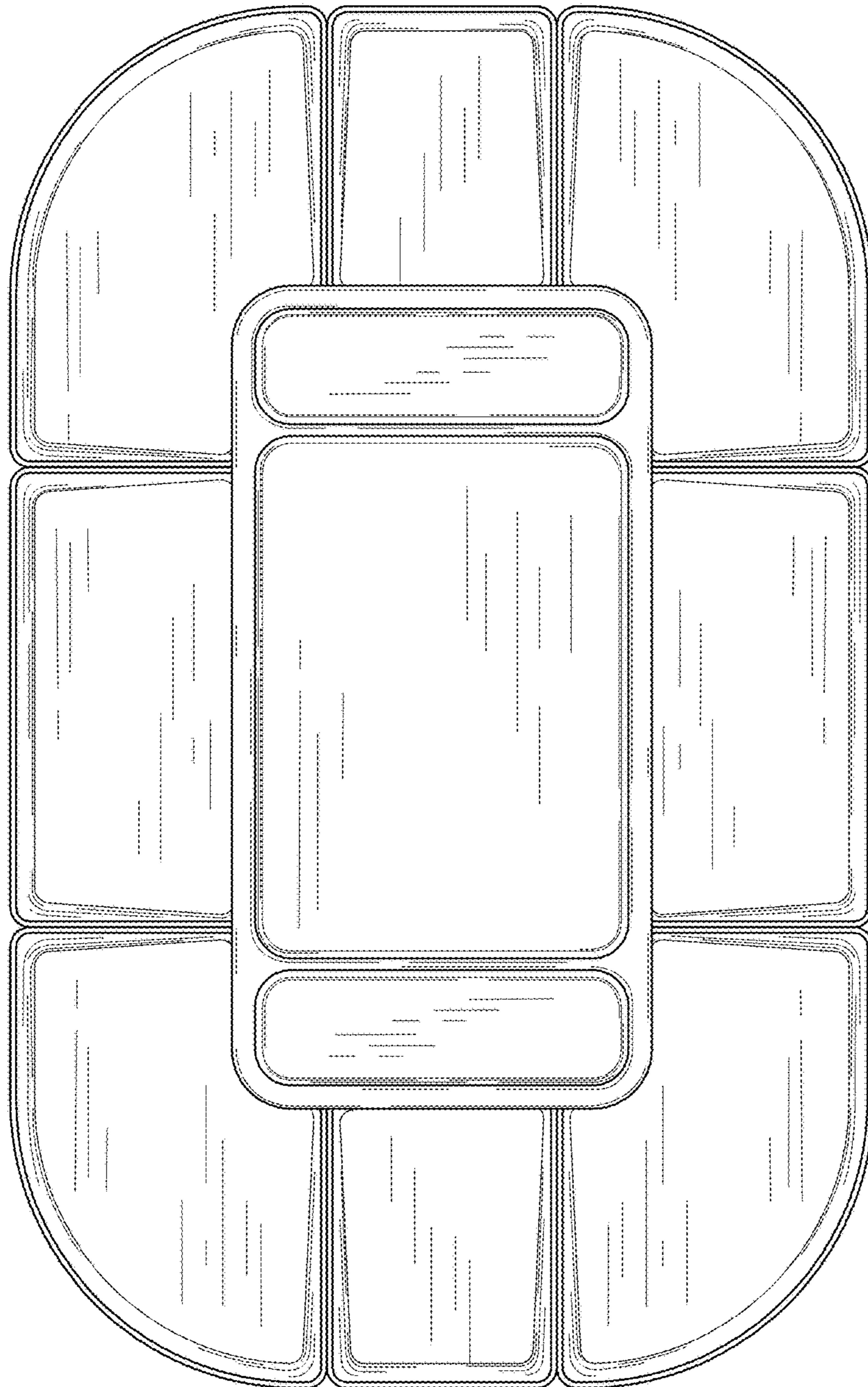


Fig. 7

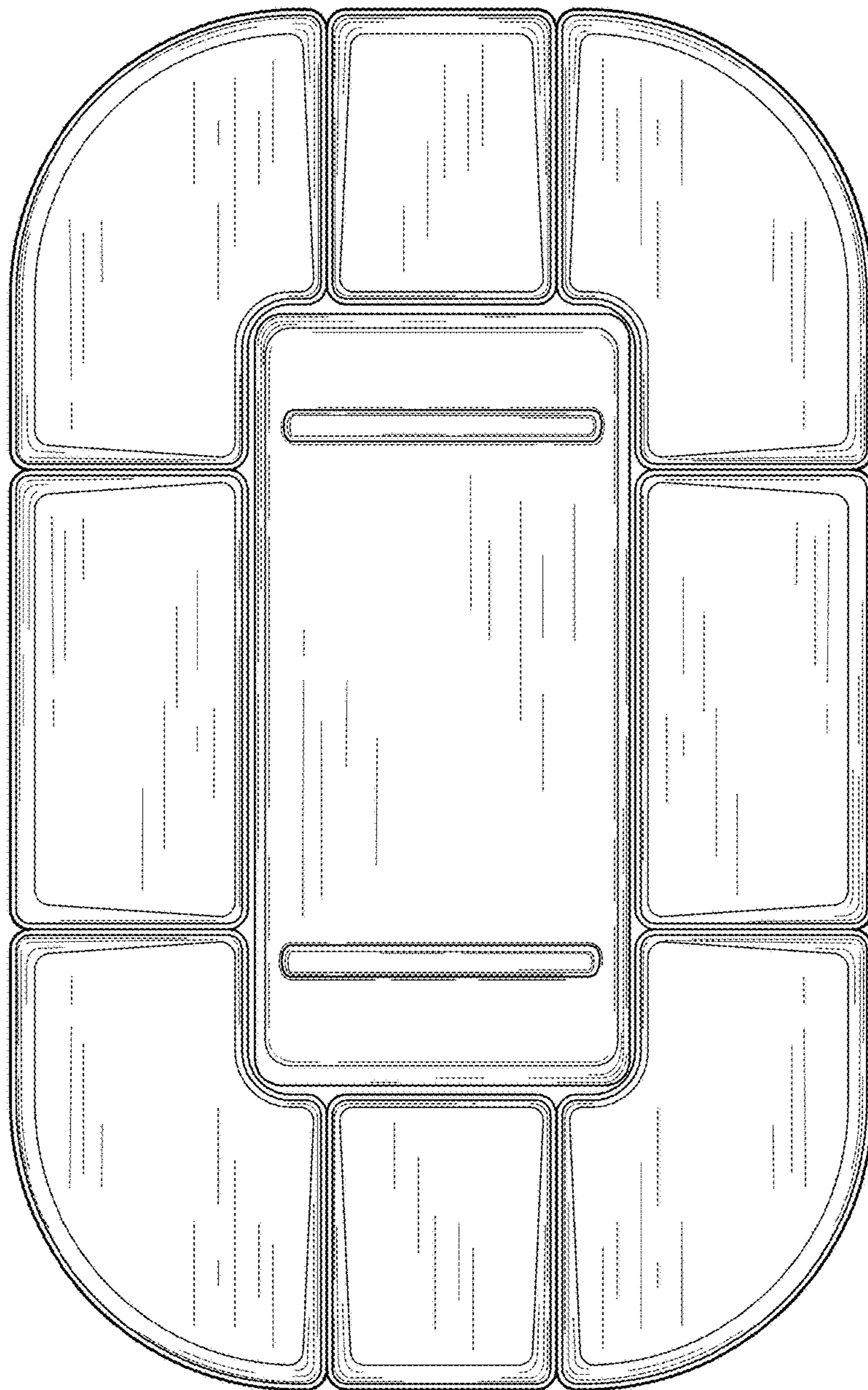


Fig. 8

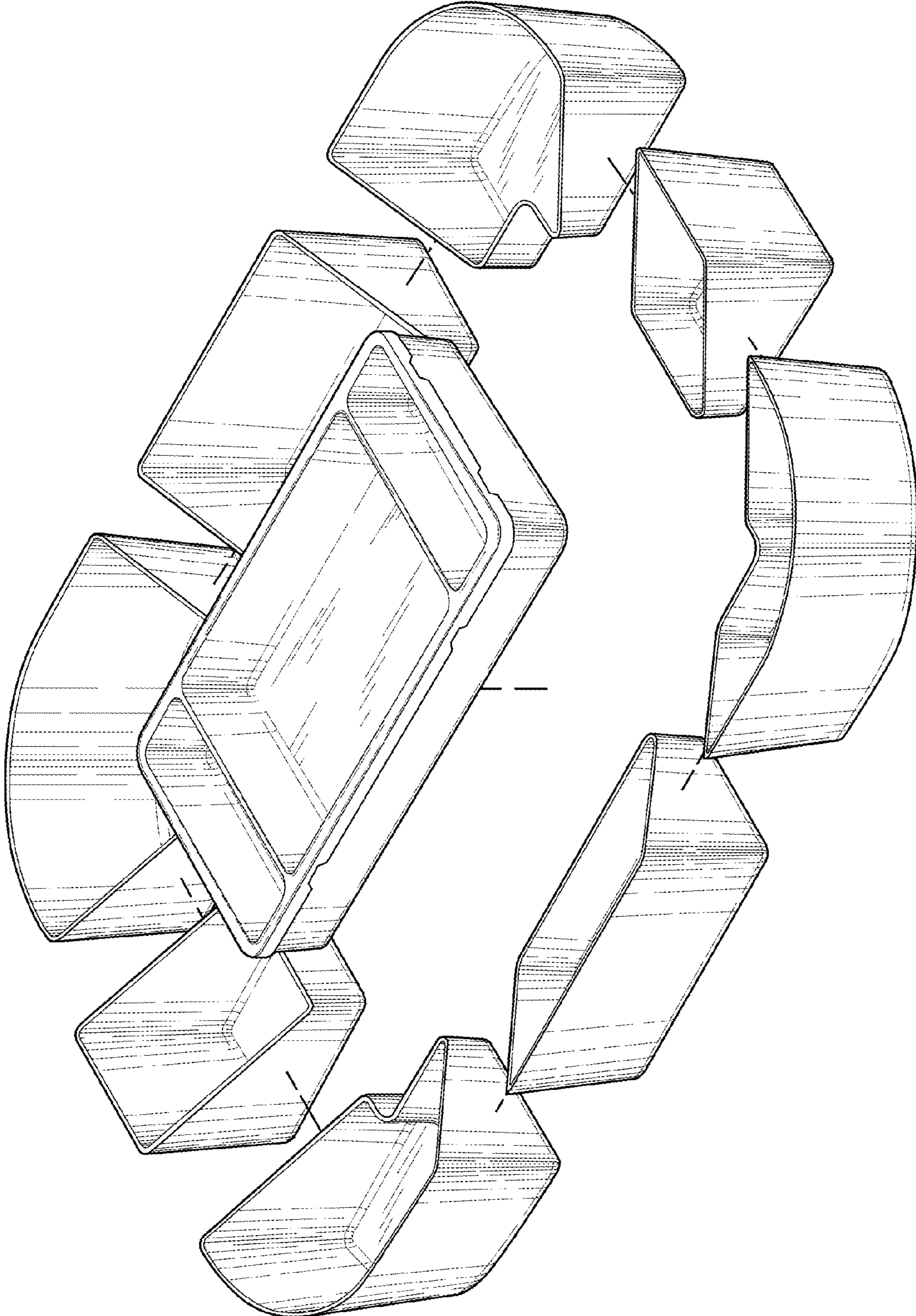


Fig. 9