



US00D803624S

(12) **United States Design Patent**
Punjabi

(10) **Patent No.:** **US D803,624 S**

(45) **Date of Patent:** **** Nov. 28, 2017**

- (54) **GOLF BAG DRINKING GLASS**
- (71) Applicant: **Raj Punjabi**, Nashua, NH (US)
- (72) Inventor: **Raj Punjabi**, Nashua, NH (US)
- (**) Term: **15 Years**
- (21) Appl. No.: **29/596,104**
- (22) Filed: **Mar. 6, 2017**

D360,805 S *	8/1995	Friedman	D7/302
D364,536 S *	11/1995	Law	D7/515
D366,812 S *	2/1996	Collins	D3/255
5,908,132 A *	6/1999	Pigeon	B65F 1/141
			206/315.3
D414,378 S *	9/1999	Green	D7/515
D422,489 S *	4/2000	West	D9/668
D429,631 S *	8/2000	Shaw	D3/255
D439,834 S *	4/2001	Shaw	D9/668
D463,645 S *	9/2002	Chavarri Gonzalez	D3/254
D557,023 S *	12/2007	Baughman	D6/351
D573,405 S *	7/2008	Bruce	D7/507
D588,928 S *	3/2009	Rouas	D9/668
D729,578 S *	5/2015	He	D7/507
D763,040 S *	8/2016	Punjabi	D3/255

Related U.S. Application Data

- (63) Continuation of application No. 29/526,519, filed on May 11, 2015, now Pat. No. Des. 763,040.
- (51) **LOC (10) Cl.** **07-01**
- (52) **U.S. Cl.**
USPC **D7/515**; D7/536; D9/668; D3/255
- (58) **Field of Classification Search**
USPC D7/509, 514, 515, 518, 521, 539, 564,
D7/301, 623, 536; 220/212, 23.86;
215/387; D9/668, 618; D3/255, 202,
D3/215; 206/315.5
CPC A47G 19/2205; A47J 43/27; A45C 7/0086
See application file for complete search history.

* cited by examiner

Primary Examiner — Marianne Pandozzi

(74) *Attorney, Agent, or Firm* — Gary E. Lambert; David J. Connaughton, Jr.; Lambert & Associates

(57) **CLAIM**

The ornamental design for a golf bag drinking glass, as shown and described.

DESCRIPTION

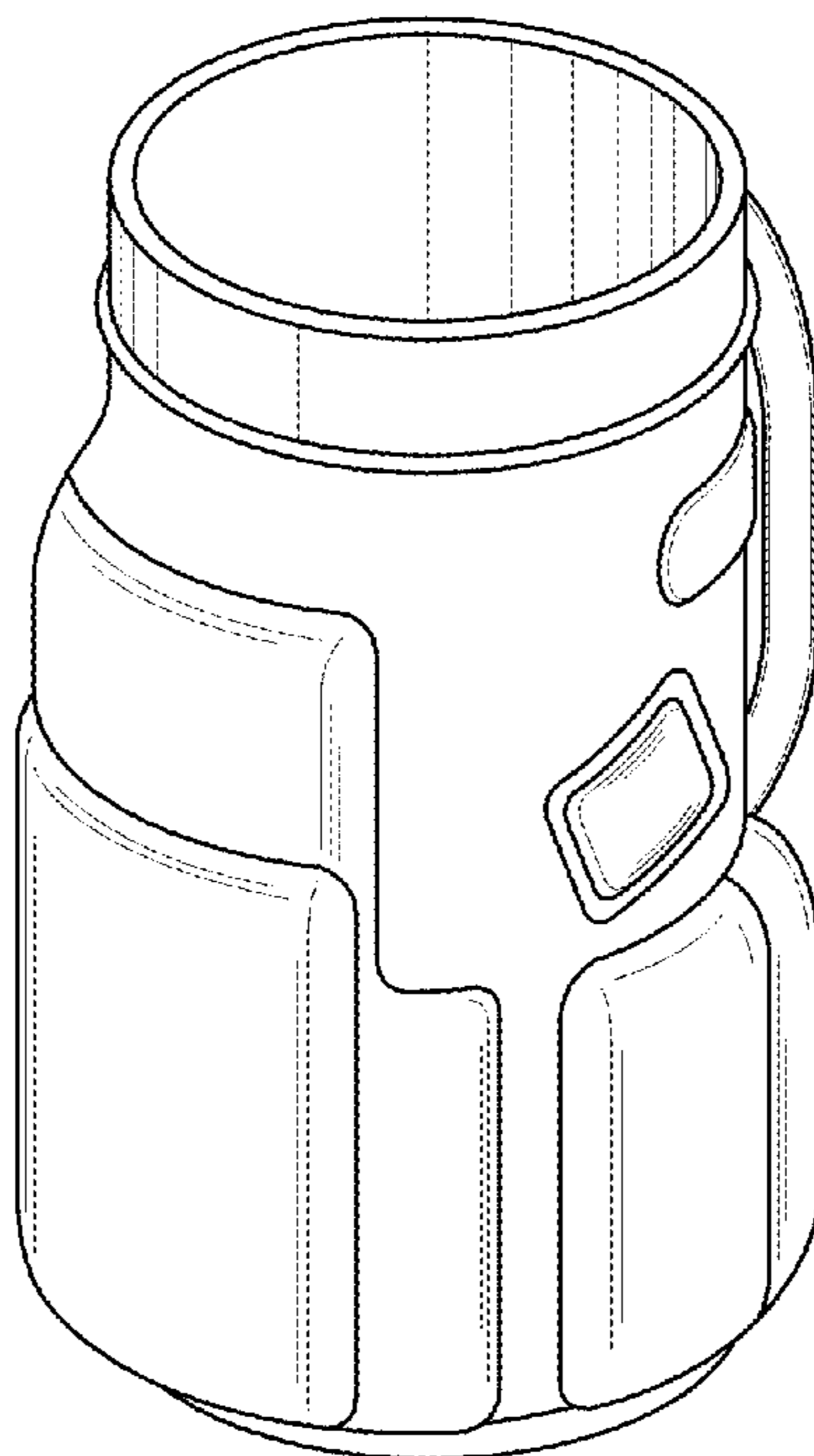
FIG. 1 is a perspective view of a golf bag drinking glass showing my new design;
 FIG. 2 is a front view thereof;
 FIG. 3 is a rear view thereof;
 FIG. 4 is a right view thereof;
 FIG. 5 is a left view thereof;
 FIG. 6 is a top plan view thereof; and,
 FIG. 7 is a bottom plan view thereof.

1 Claim, 4 Drawing Sheets

(56) **References Cited**

U.S. PATENT DOCUMENTS

D208,956 S *	10/1967	Murray, Jr.	D34/4
D234,181 S *	1/1975	Haswell	D34/15
D300,402 S *	3/1989	Tardel	D7/515
D327,422 S *	6/1992	Laing	D9/668
D328,688 S *	8/1992	Palmer	D7/511
D347,968 S *	6/1994	Friedman	D7/302
D356,233 S *	3/1995	Meier	D7/515



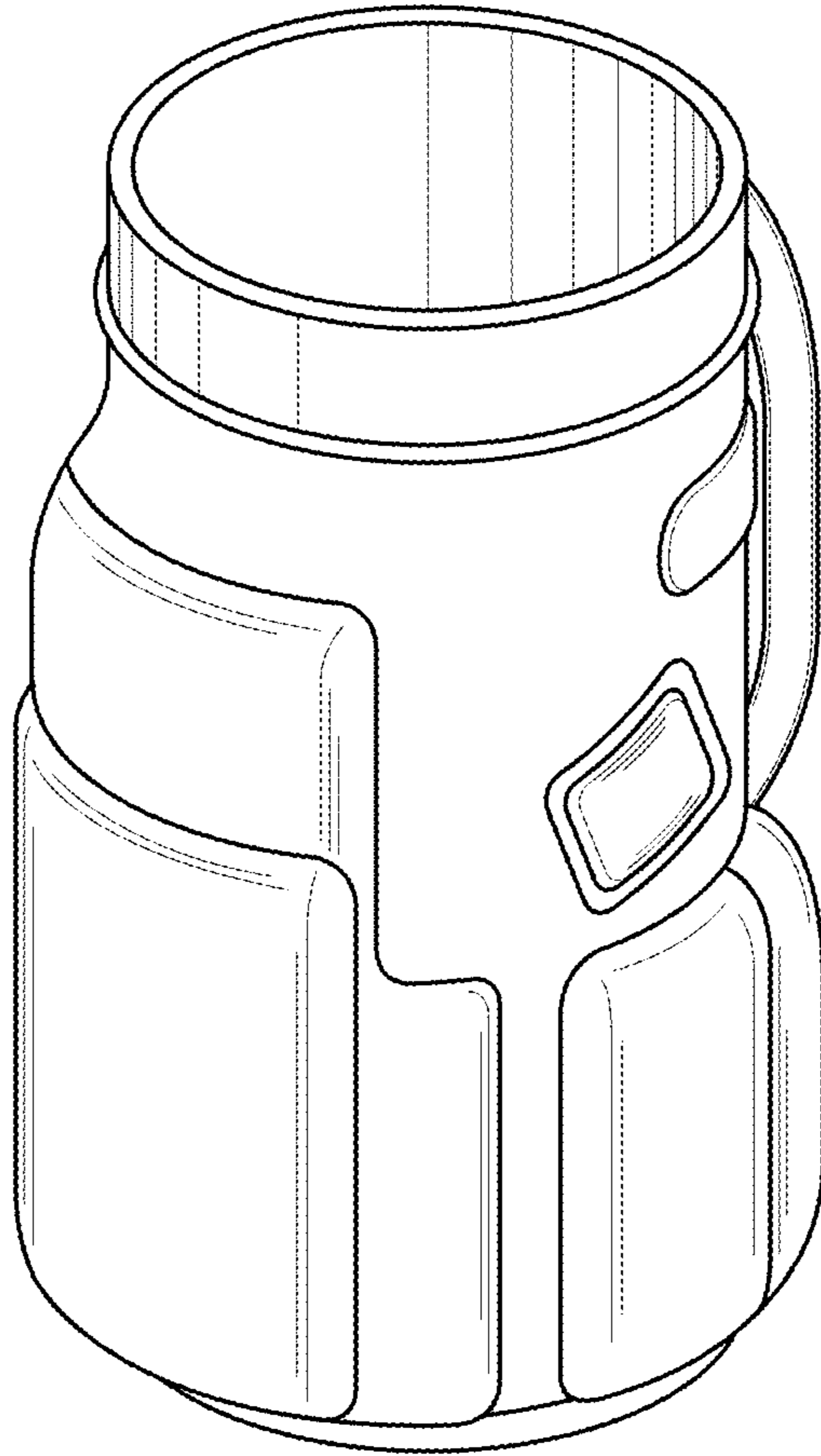


Fig. 1

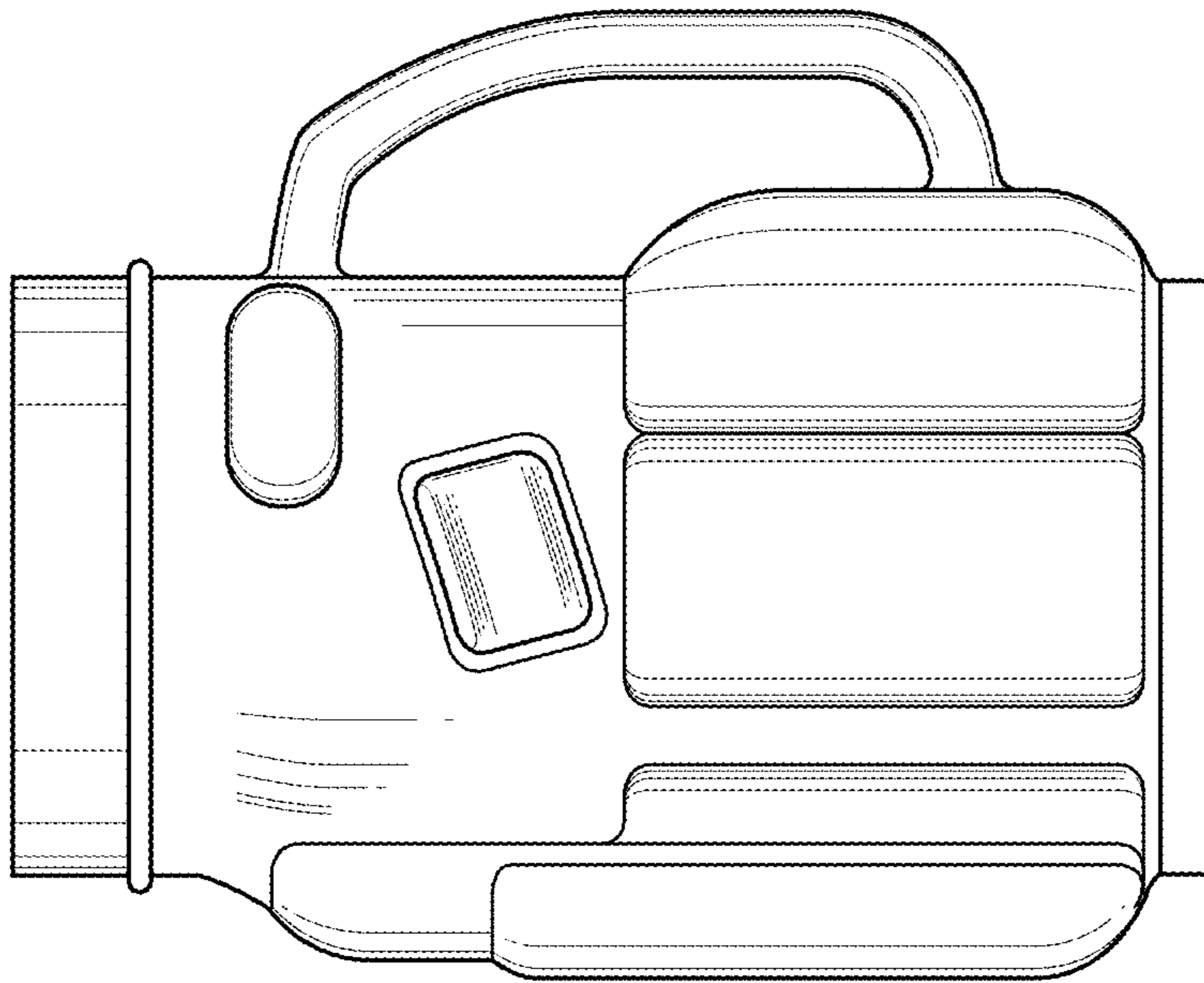


Fig. 3

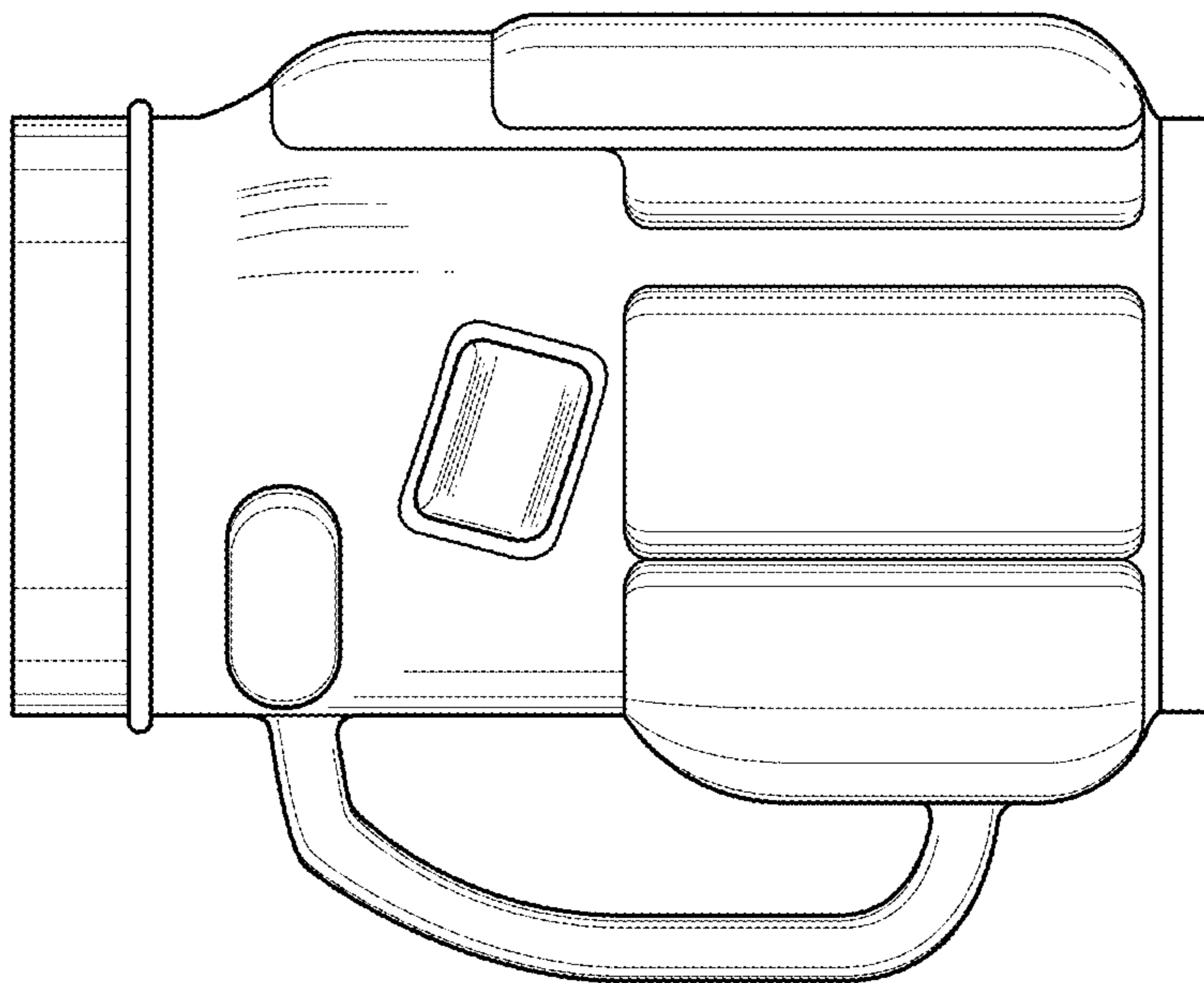


Fig. 2

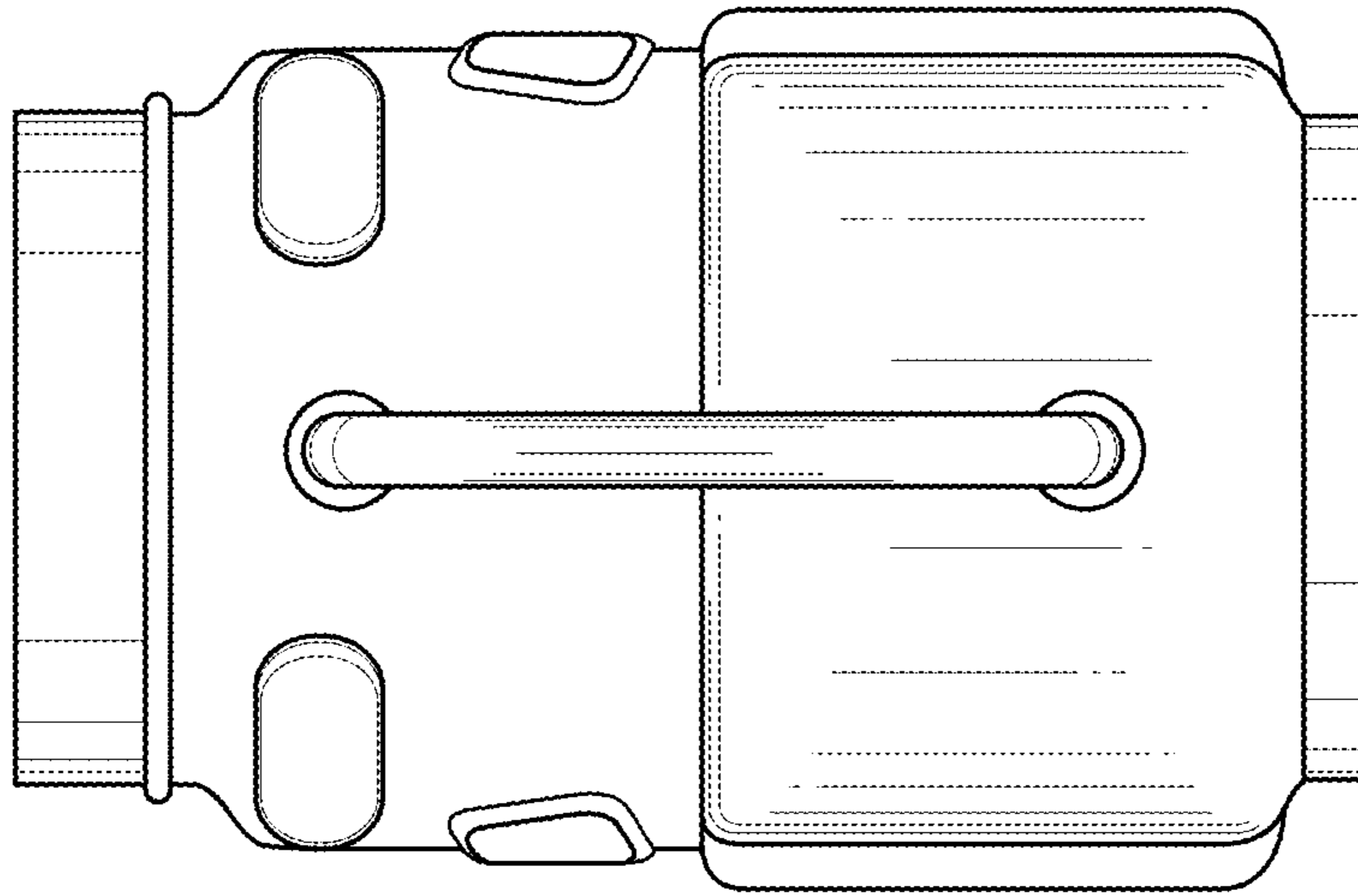


Fig. 5

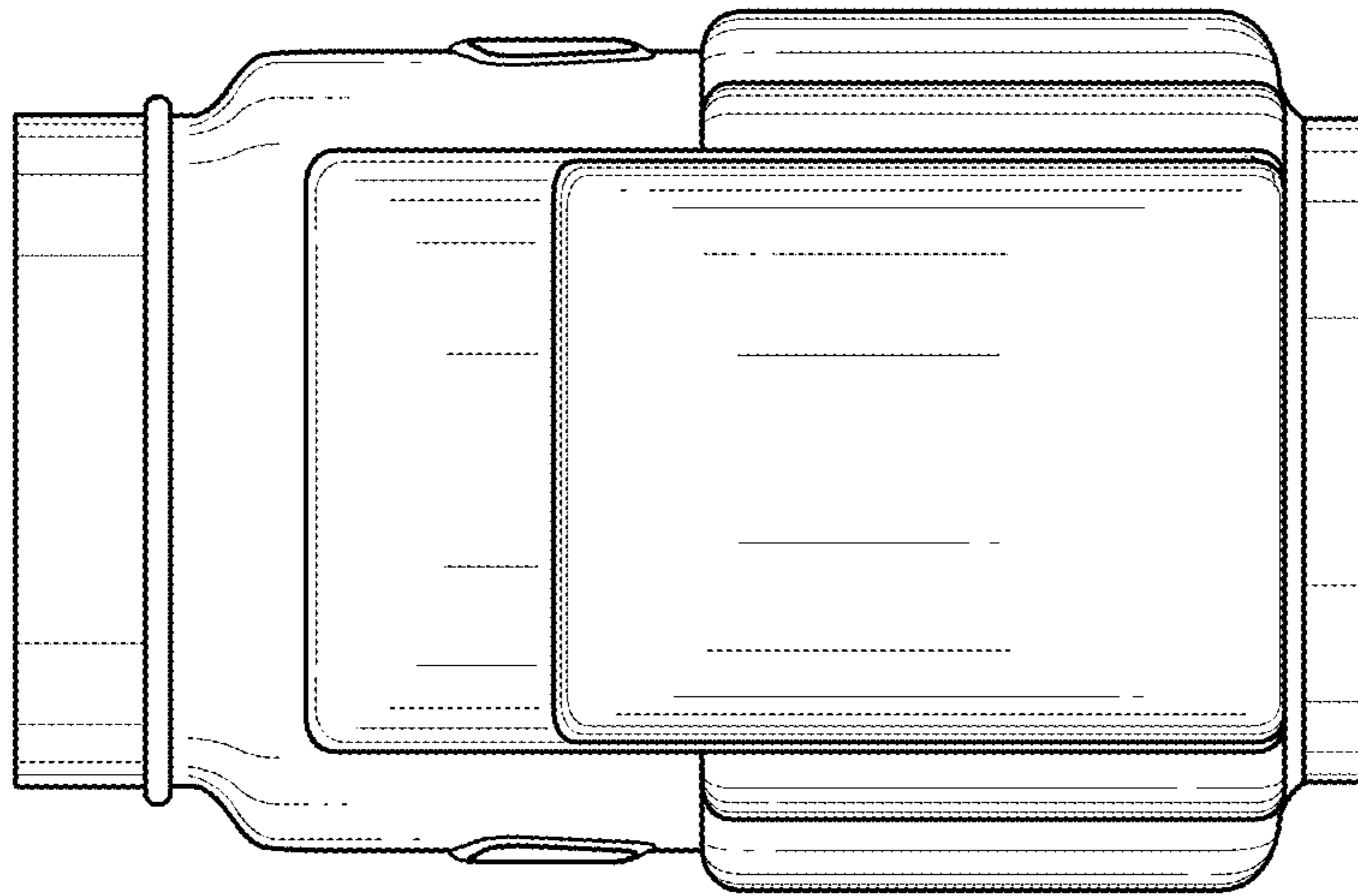


Fig. 4

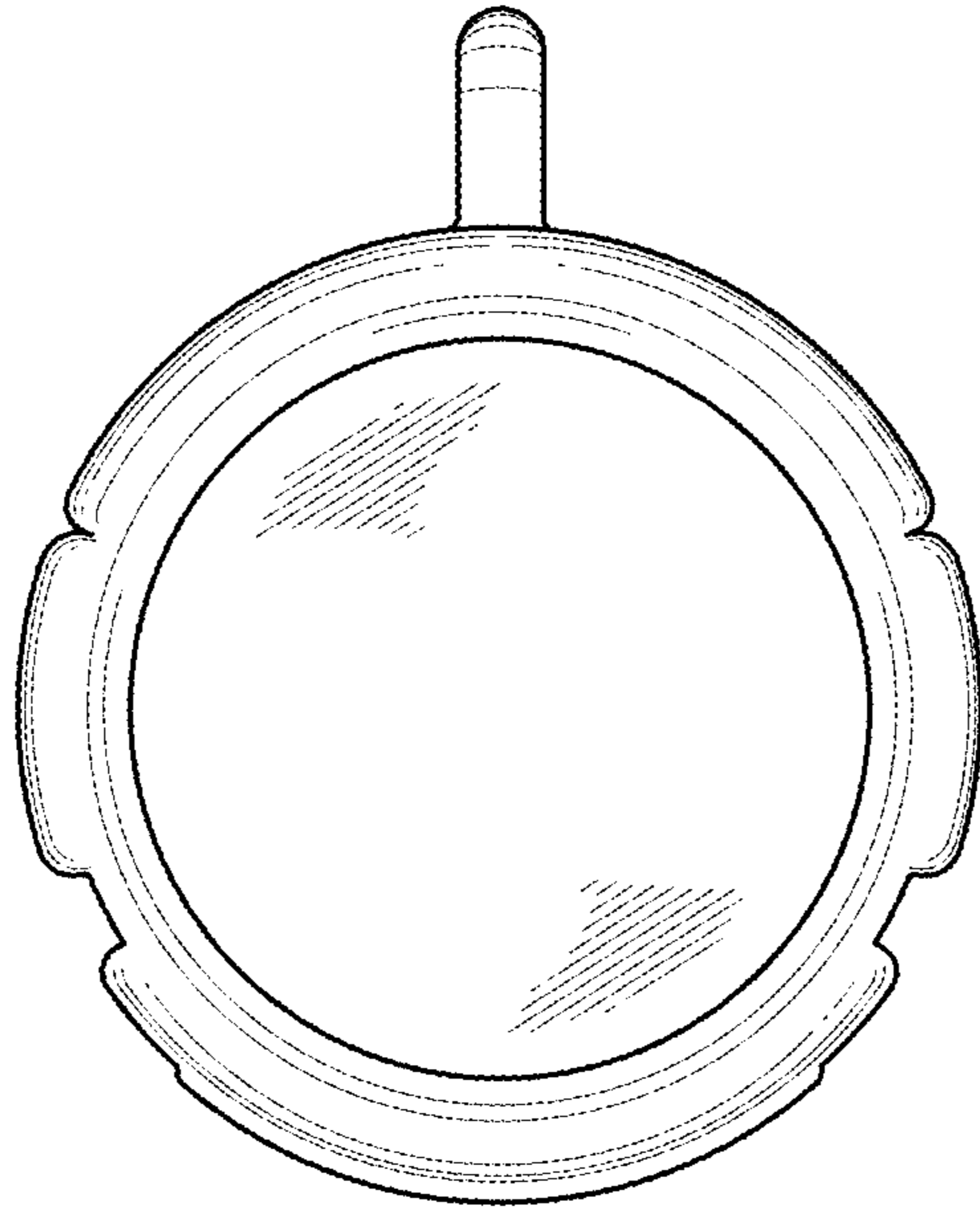


Fig. 7

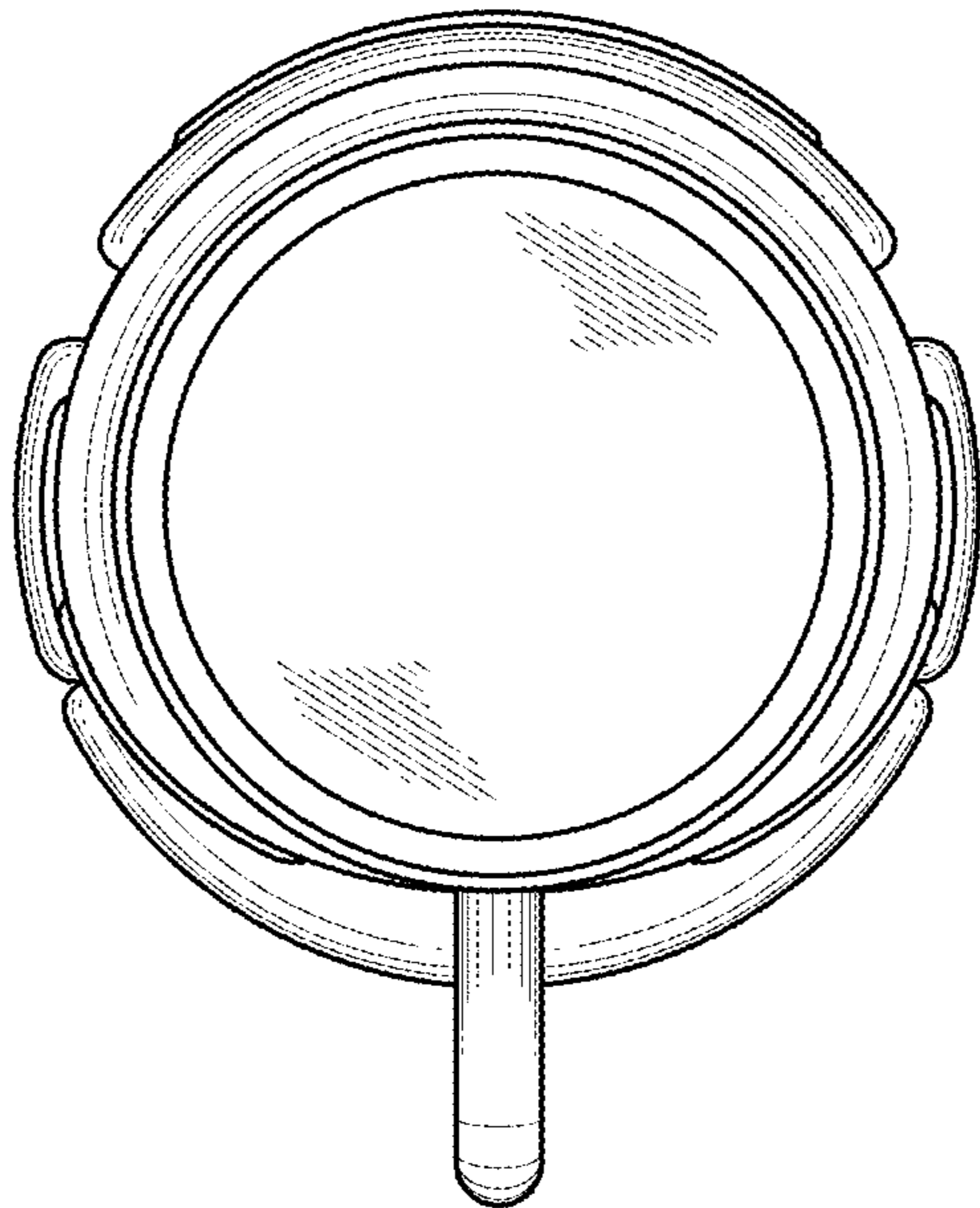


Fig. 6