

US00D803623S

(12) **United States Design Patent**  
**Bodum**

(10) **Patent No.:** **US D803,623 S**

(45) **Date of Patent:** **\*\* Nov. 28, 2017**

(54) **TRAVEL MUG**

(71) Applicant: **PI-Design AG**, Triengen (CH)

(72) Inventor: **Jorgen Bodum**, Meggen (CH)

(73) Assignee: **PI-Design AG**, Triengen (CH)

(\*\*) Term: **15 Years**

(21) Appl. No.: **29/560,439**

(22) Filed: **Apr. 6, 2016**

(30) **Foreign Application Priority Data**

Oct. 7, 2015 (WO) ..... DM/087819

(51) **LOC (10) Cl.** ..... **07-01**

(52) **U.S. Cl.**  
USPC ..... **D7/510; D7/511; D7/532**

(58) **Field of Classification Search**  
USPC ..... D7/507, 509, 510, 511, 523, 529, 530,  
D7/532, 392.1, 396.2, 608, 599, 598, 397;  
D9/444, 567, 552, 554, 555, 565, 568,  
D9/571; 220/592.16, 592.17, 200  
CPC ..... A47G 19/22; A47G 19/2205; A45F 3/16;  
Y10S 220/903  
See application file for complete search history.

(56) **References Cited**

**U.S. PATENT DOCUMENTS**

D416,755 S	11/1999	Trombly	
D438,430 S	3/2001	Gabrhel	
D455,609 S *	4/2002	Mandel	D7/510
D550,033 S	9/2007	Bodum	
D550,034 S	9/2007	Bodum	
D552,926 S *	10/2007	Yelland	D7/392.1
D553,440 S	10/2007	Bodum	
D553,909 S *	10/2007	Bodum	D7/500
D568,103 S *	5/2008	Bodum	D7/509
D581,738 S *	12/2008	Bodum	D7/509

D642,472 S *	8/2011	Concin	D7/511
D649,881 S	12/2011	Rinderer et al.	
D651,467 S *	1/2012	Bodum	D7/509
D655,967 S *	3/2012	Bodum	D7/300.1
D657,251 S *	4/2012	Rinderer	D7/511
D669,736 S	10/2012	Bodum	
D691,416 S	10/2013	Eyal	
D698,603 S	2/2014	Huckestein	
D710,698 S	8/2014	Giraud	
D719,023 S *	12/2014	Hu	D9/449
D723,871 S *	3/2015	Khubani	D7/505
D742,176 S *	11/2015	Thun	D7/509
D755,013 S *	5/2016	Khubani	D7/507
D757,497 S *	5/2016	Bodum	D7/509
D779,884 S	2/2017	Karussi	

(Continued)

**OTHER PUBLICATIONS**

PI-Design, U.S. Appl. No. 29/539,885, filed Sep. 18, 2015.  
Select portions of Bodum Collection Catalogue, Jan. 2015, 4 pages.

*Primary Examiner* — Marianne Pandozzi  
*Assistant Examiner* — Jae Liang  
(74) *Attorney, Agent, or Firm* — McDonnell Boehnen  
Hulbert & Berghoff LLP

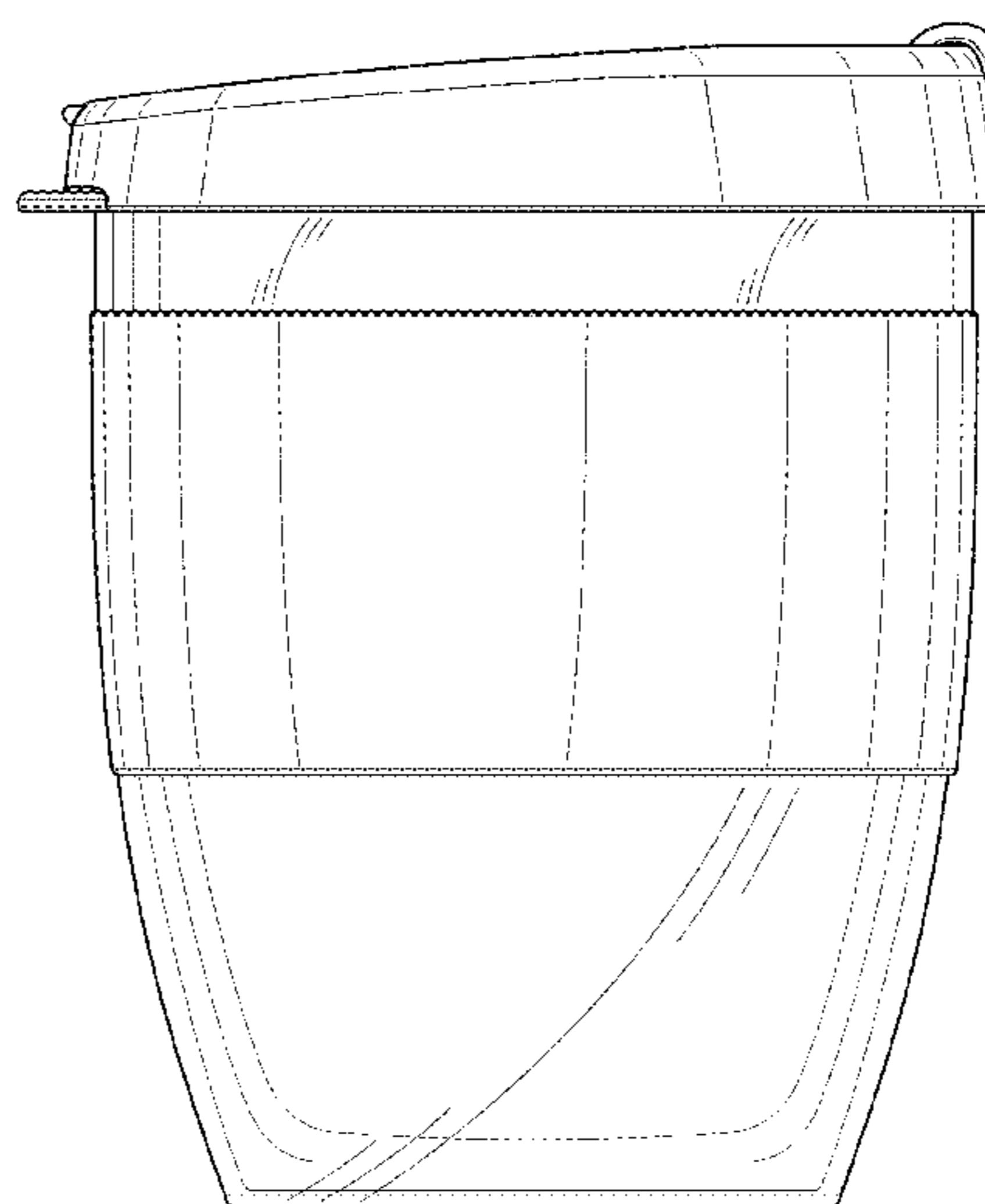
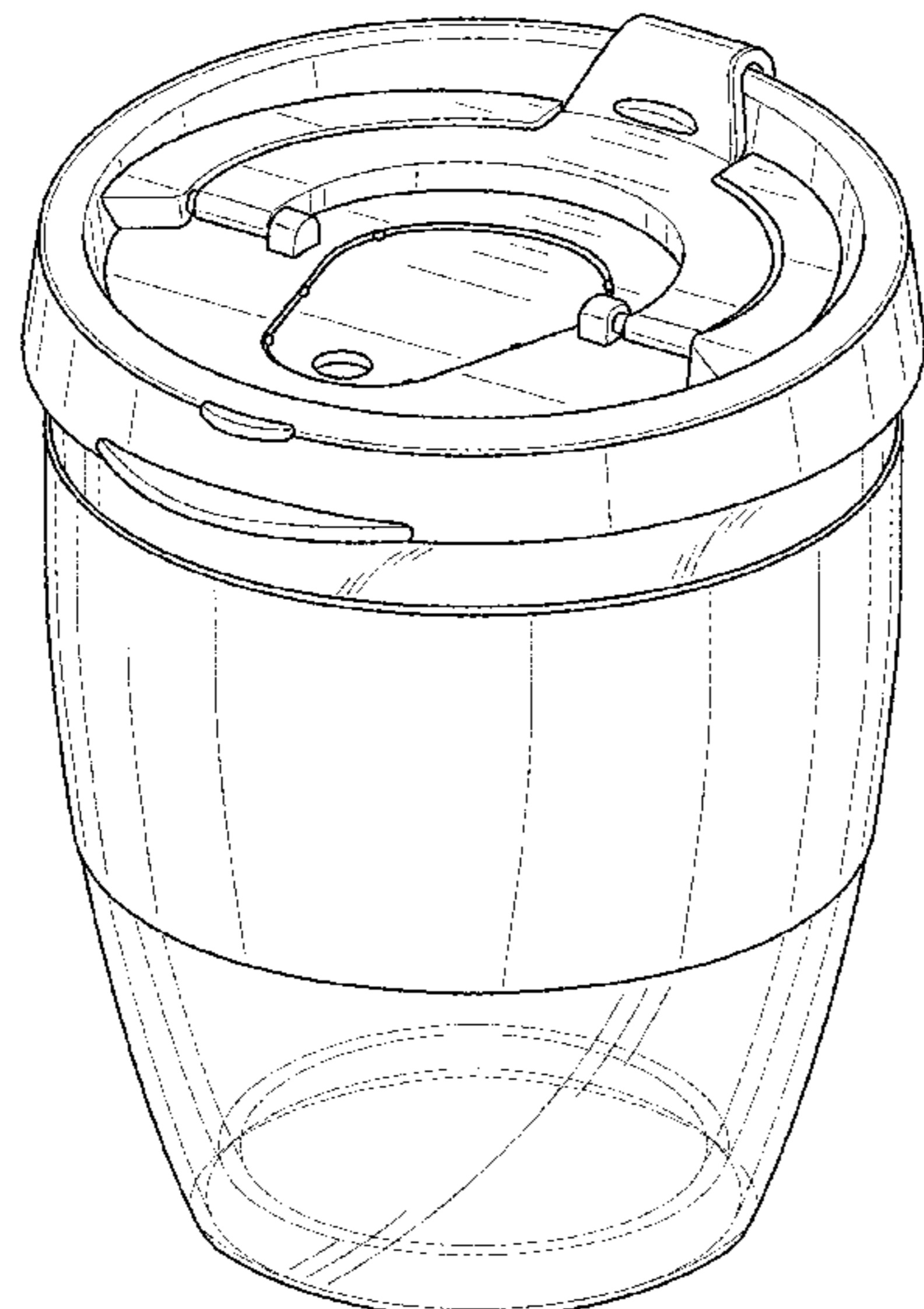
(57) **CLAIM**

The ornamental design for a travel mug, as shown and described.

**DESCRIPTION**

FIG. 1 is a perspective view of a travel mug showing my new design;  
FIG. 2 is a front view thereof;  
FIG. 3 is a rear view thereof;  
FIG. 4 is a left side view thereof;  
FIG. 5 is a right side view thereof;  
FIG. 6 is a top view thereof; and,  
FIG. 7 is a bottom view thereof.

**1 Claim, 7 Drawing Sheets**



(56)

**References Cited**

U.S. PATENT DOCUMENTS

2015/0313392 A1 \* 11/2015 Melton ..... A47G 19/2288  
220/592.17

\* cited by examiner

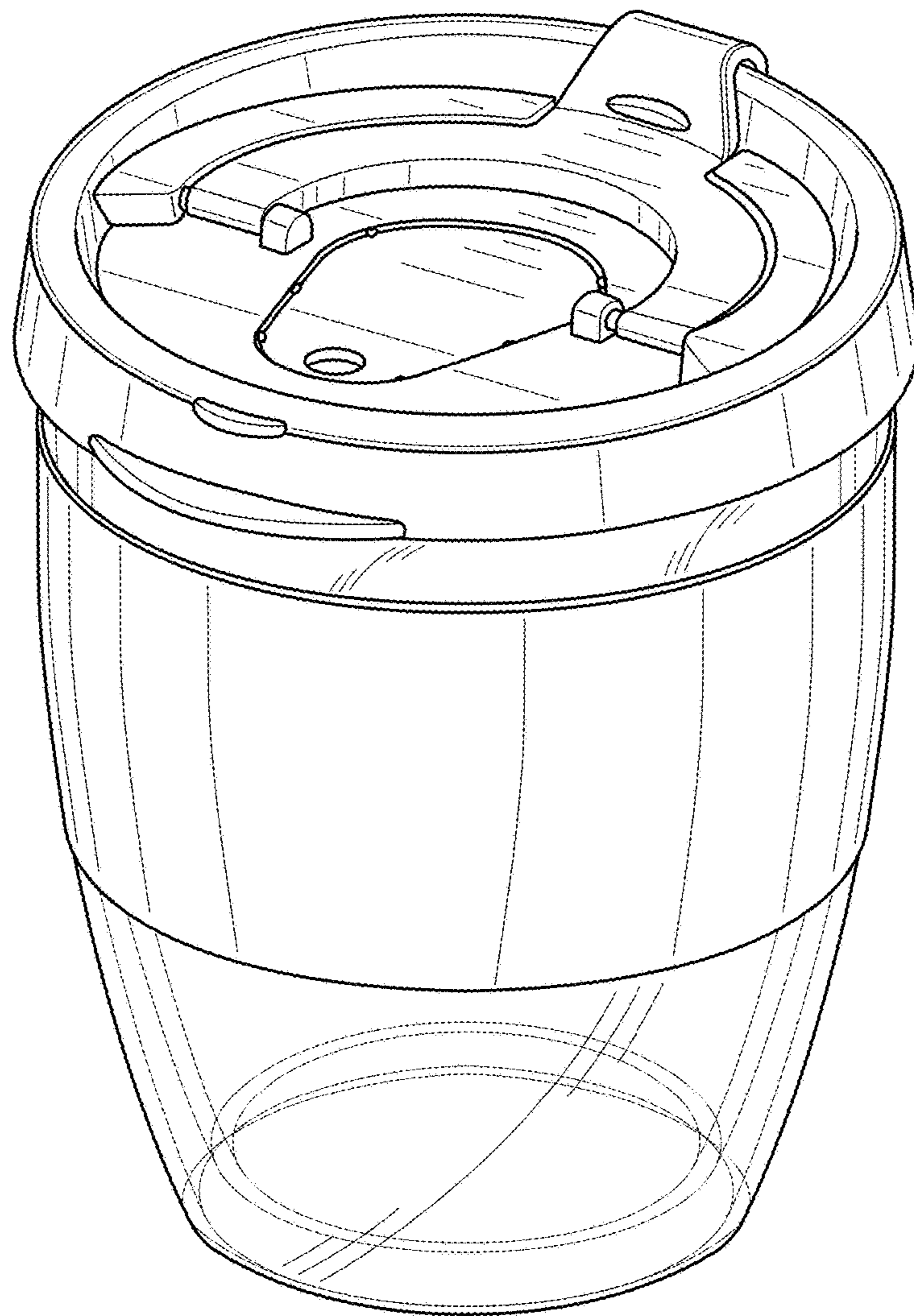


FIG. 1

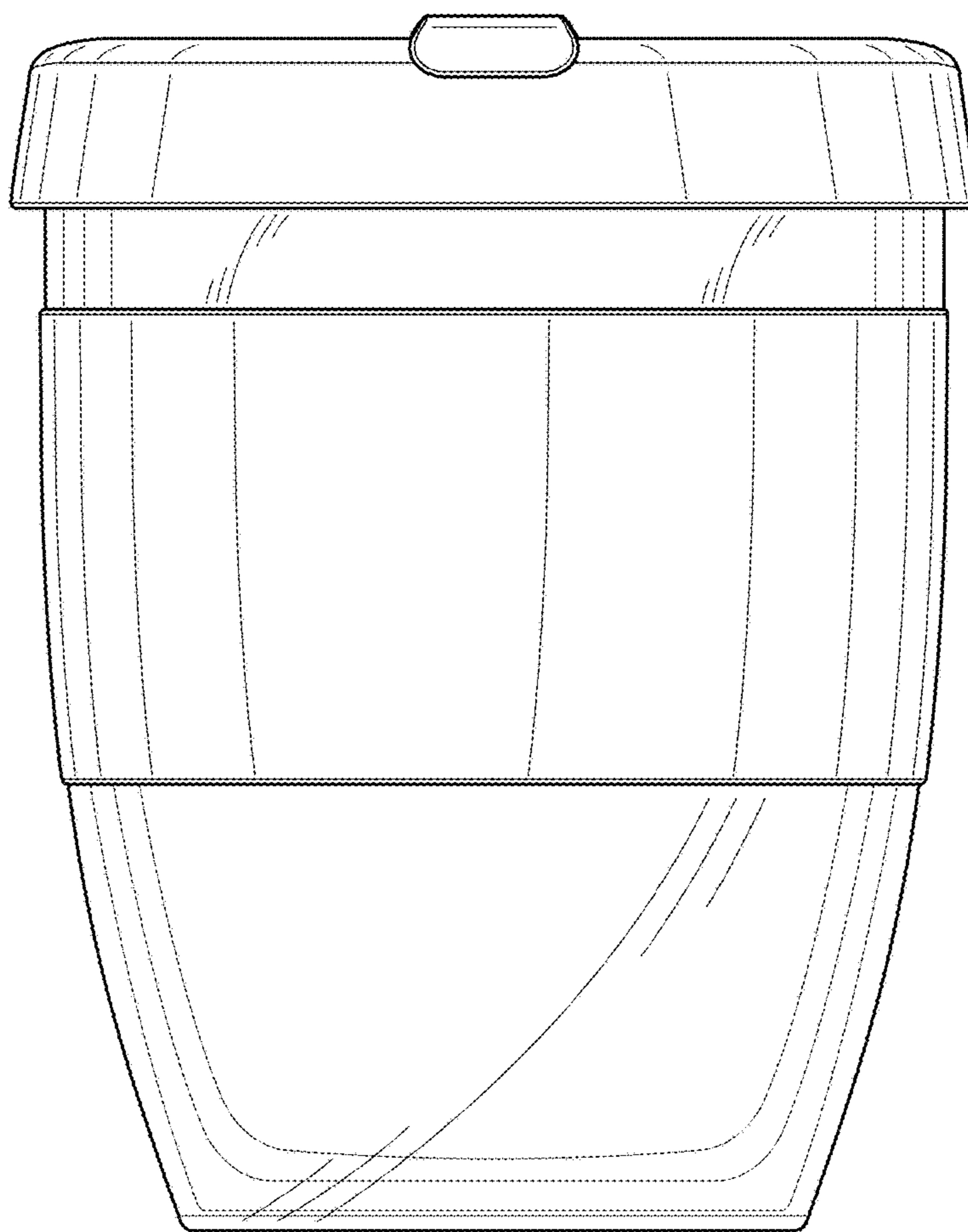


FIG. 2

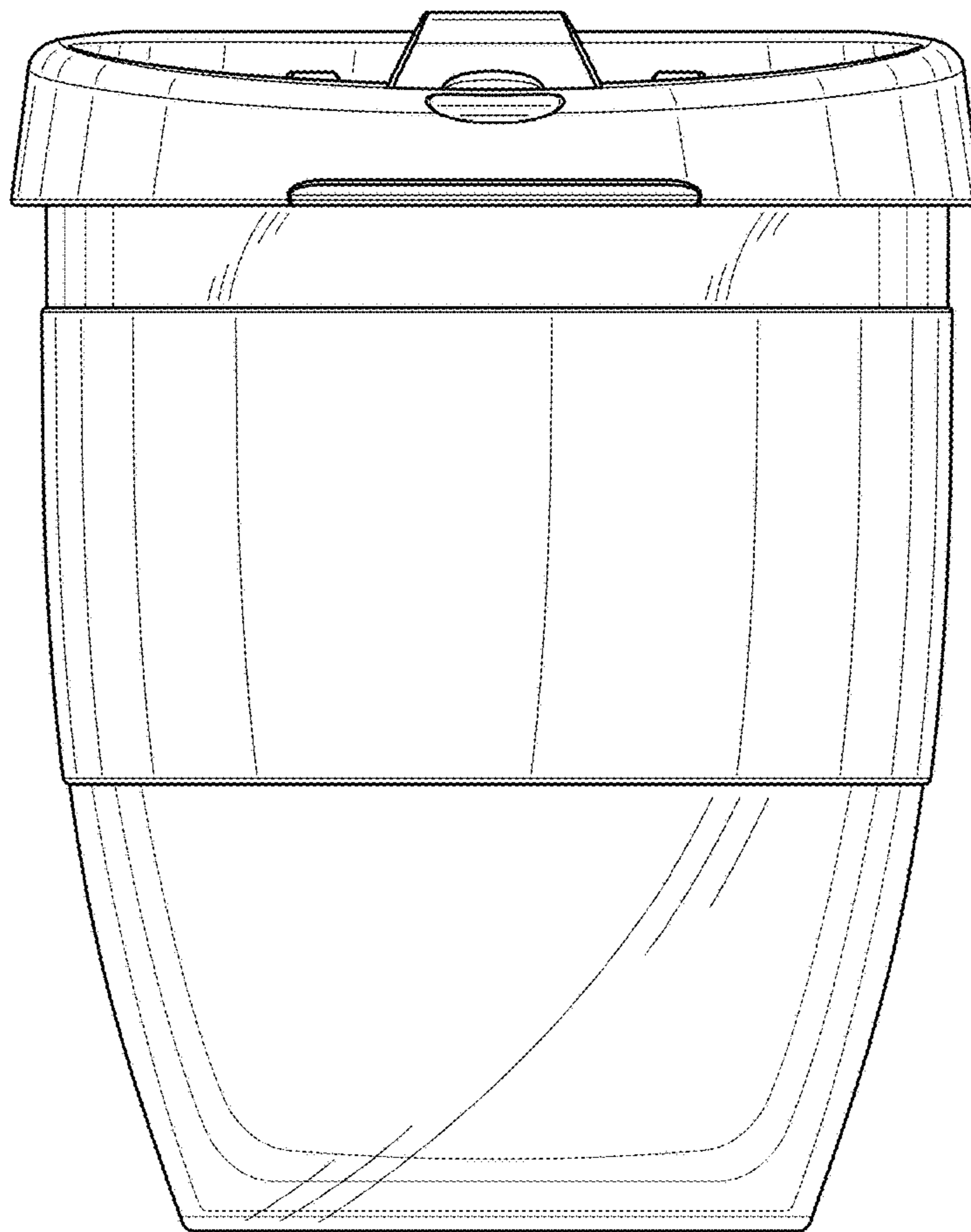


FIG. 3

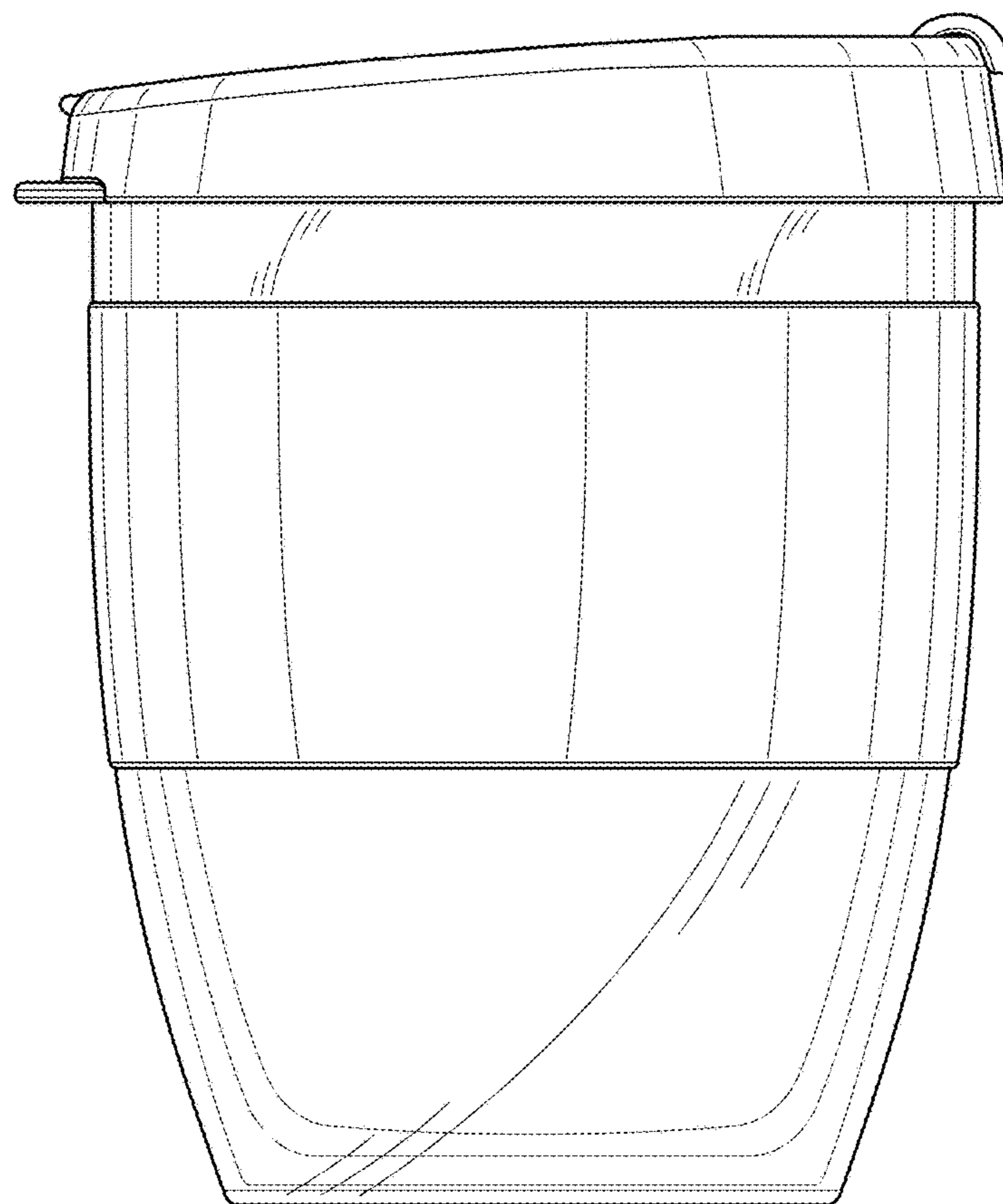


FIG. 4

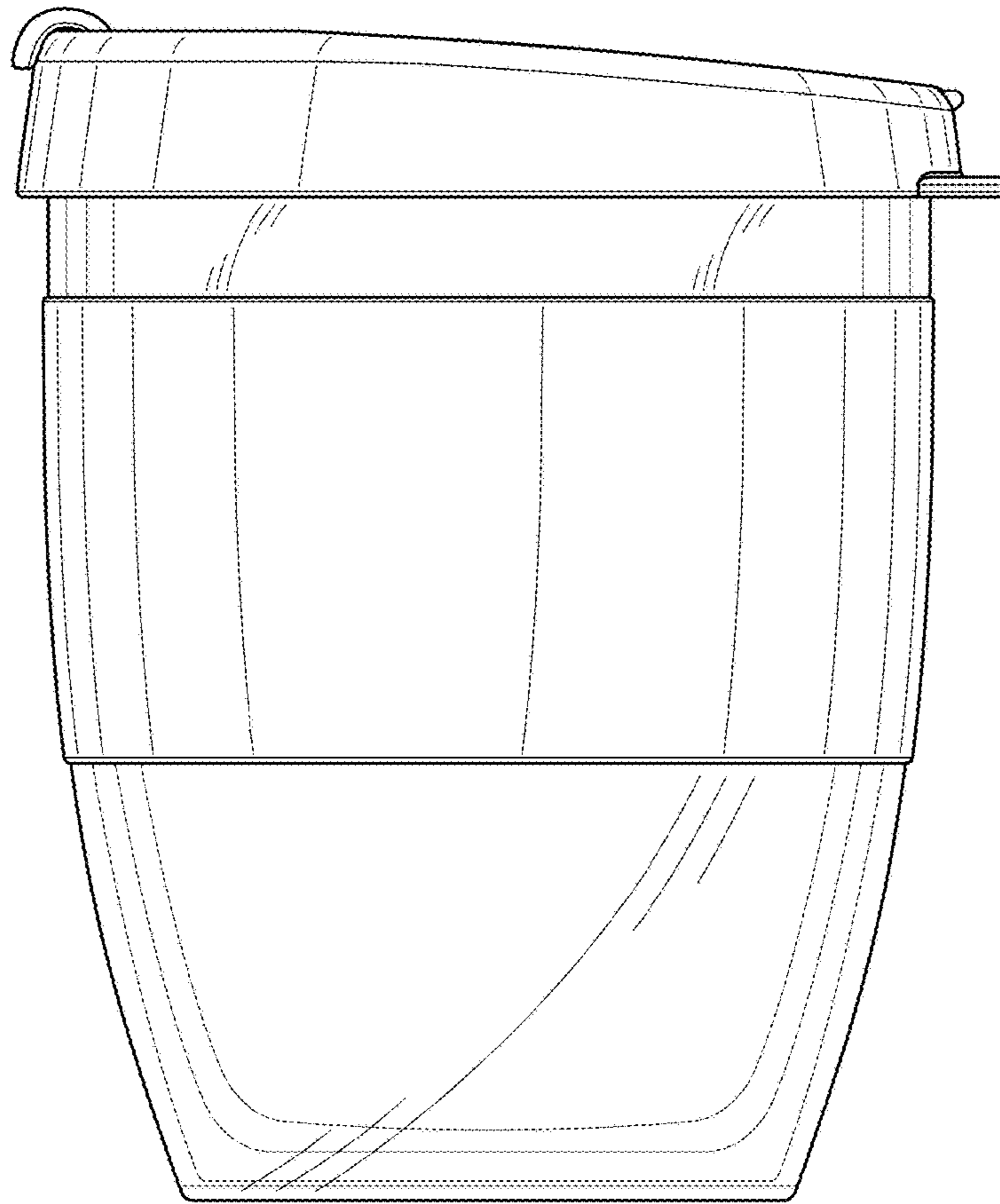


FIG. 5

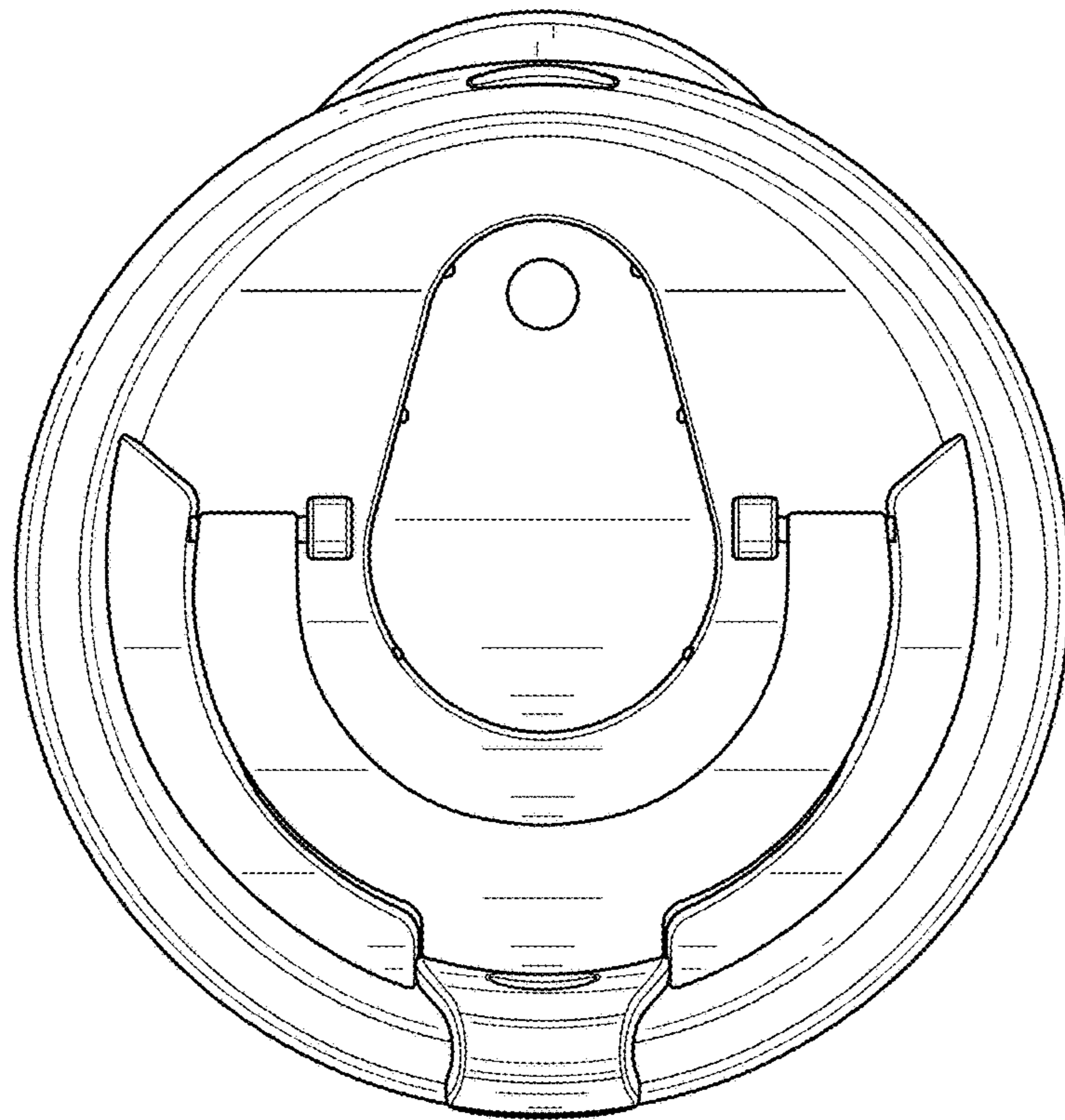


FIG. 6



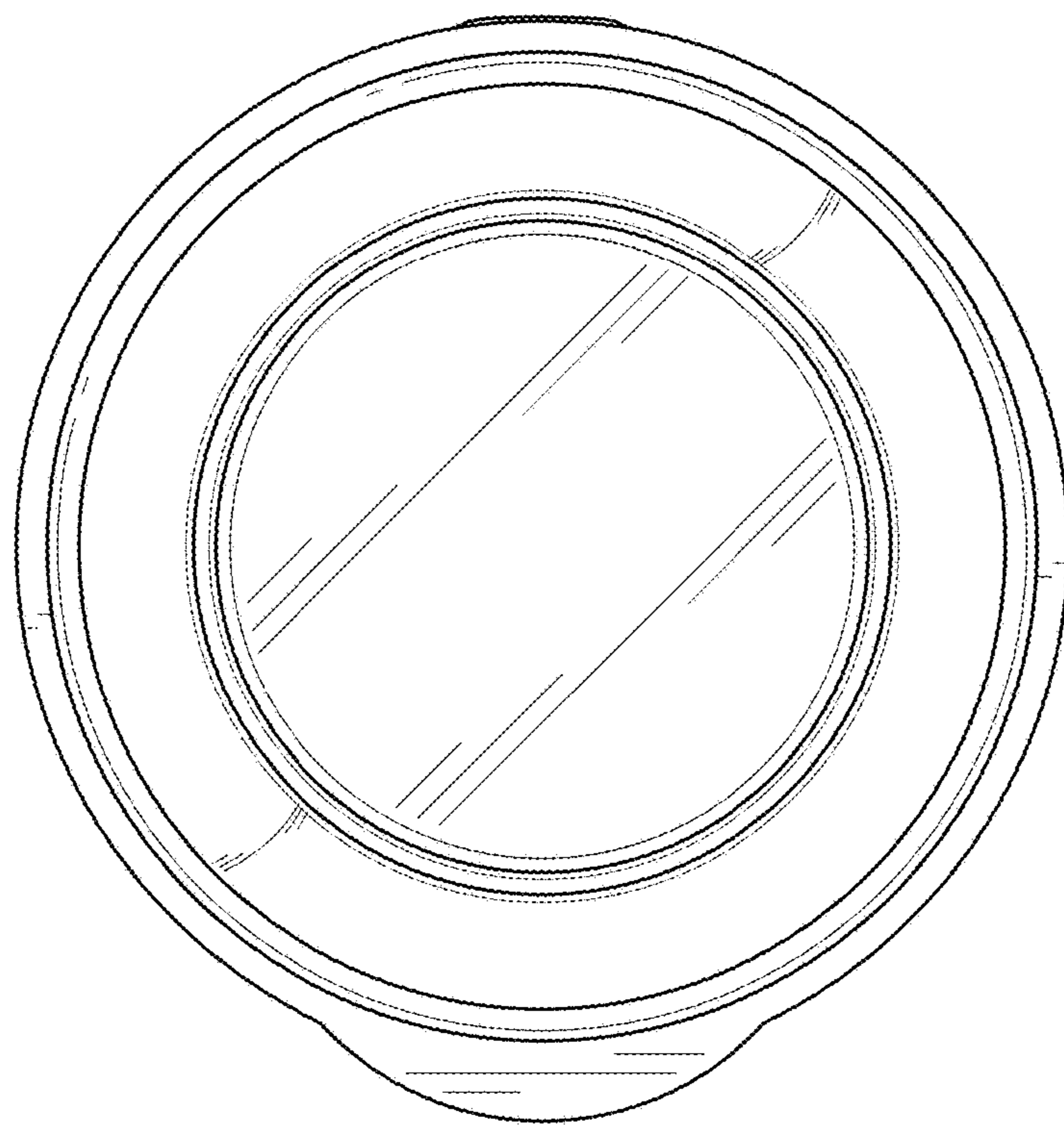


FIG. 7