



US00D803620S

(12) **United States Design Patent** (10) **Patent No.:** **US D803,620 S**
Yeh (45) **Date of Patent:** **** Nov. 28, 2017**

(54) **COFFEE FILTER WITH DUAL-LINING**

D764,864 S * 8/2016 Hertaus D7/400
9,629,379 B2 * 4/2017 Lown A23F 3/00
D790,915 S * 7/2017 Yeh D7/400
D791,535 S * 7/2017 Yeh D7/400

(71) Applicant: **YUKAWA ENTERPRISE CO., LTD.**,
Hemei Township, Changhua County
(TW)

* cited by examiner

(72) Inventor: **Chin-Chen Yeh**, Changhua (TW)

Primary Examiner — Daniel Bui

(73) Assignee: **YUKAWA ENTERPRISE CO., LTD.**,
Hemei Township, Changhua County
(TW)

Assistant Examiner — Andrew Kerr

(74) *Attorney, Agent, or Firm* — Egbert Law Offices,
PLLC

(**) Term: **15 Years**

(57) **CLAIM**

(21) Appl. No.: **29/589,235**

The ornamental design for a coffee filter with dual-lining, as shown and described.

(22) Filed: **Dec. 29, 2016**

(51) **LOC (10) Cl.** **07-99**

(52) **U.S. Cl.**

USPC **D7/400**

(58) **Field of Classification Search**

USPC D3/304; D7/399, 400, 401, 667;
D23/279

CPC A47J 47/00; B65B 39/00; B65B 39/02
See application file for complete search history.

DESCRIPTION

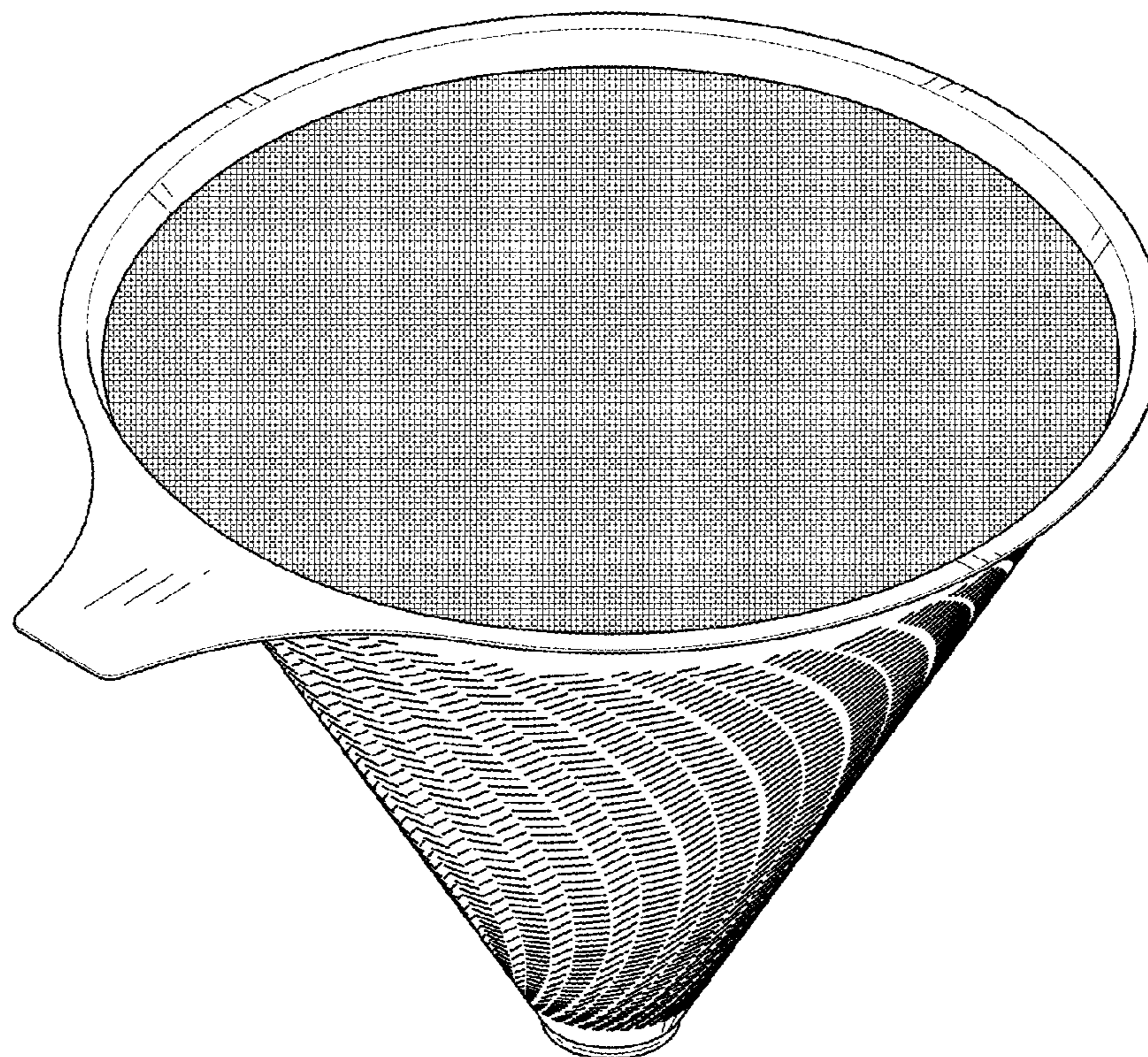
FIG. 1 is an upper perspective view of a coffee filter with dual-lining showing my new design.
FIG. 2 is a front elevation view thereof;
FIG. 3 is rear elevation view thereof;
FIG. 4 is a side elevation view thereof;
FIG. 5 is an opposite side elevation view thereof;
FIG. 6 is a top plan view thereof;
FIG. 7 is a bottom plan view thereof; and,
FIG. 8 is an enlarged view of the area identified as “8” in FIG. 2.

(56) **References Cited**

U.S. PATENT DOCUMENTS

D524,599 S * 7/2006 Bodum D7/400
D741,647 S * 10/2015 Boczkowski D7/399

1 Claim, 8 Drawing Sheets



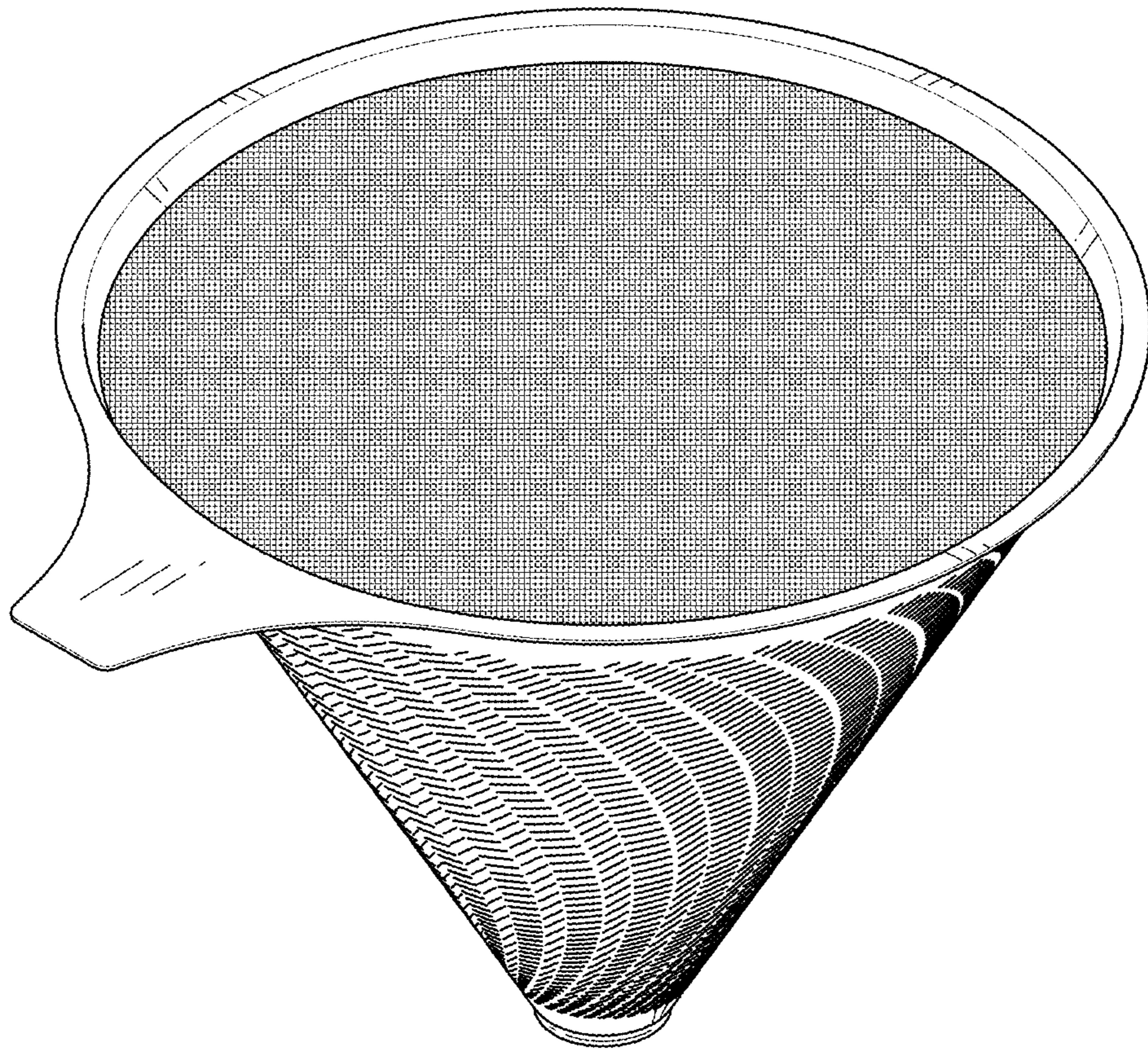


FIG. 1

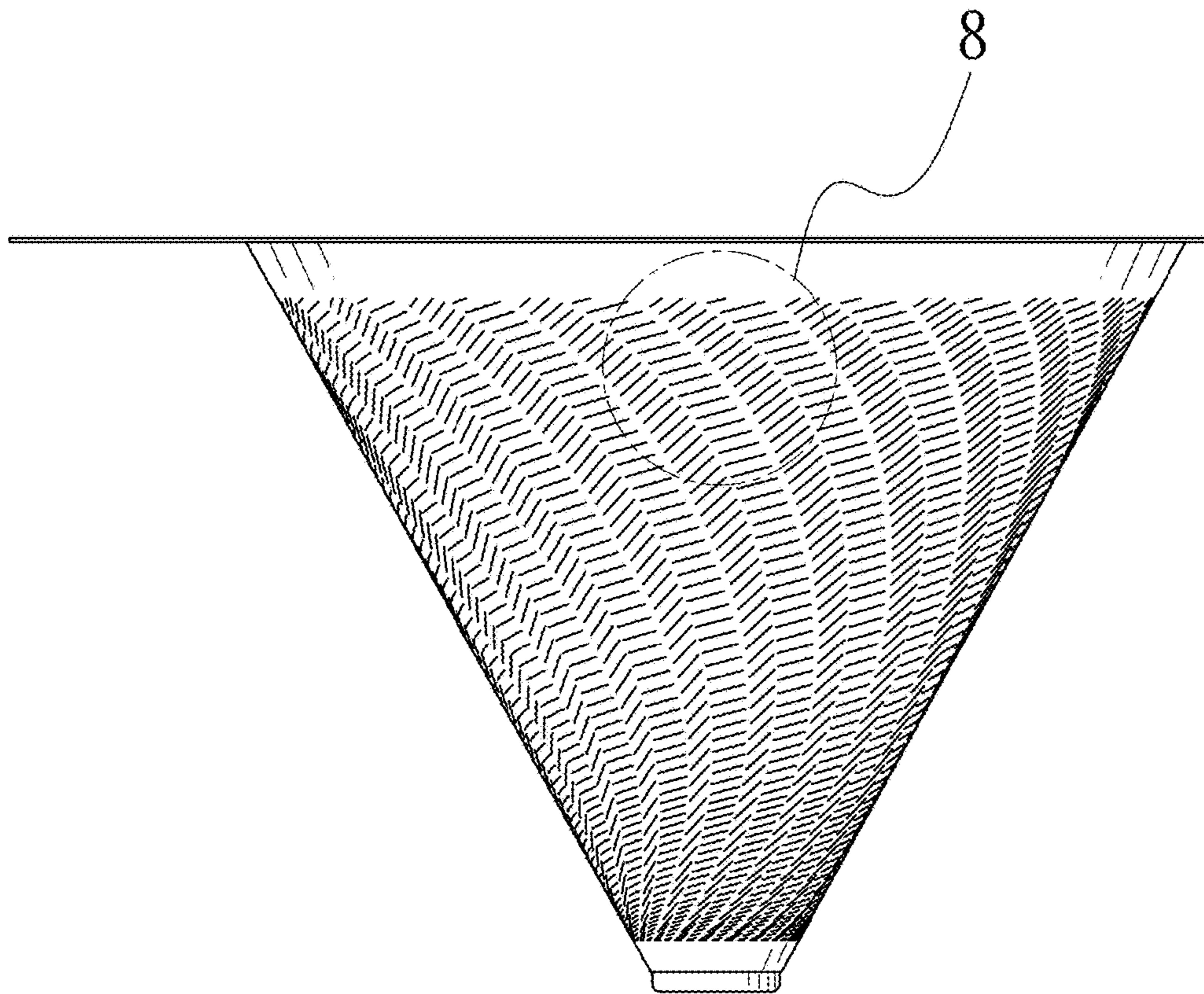


FIG. 2

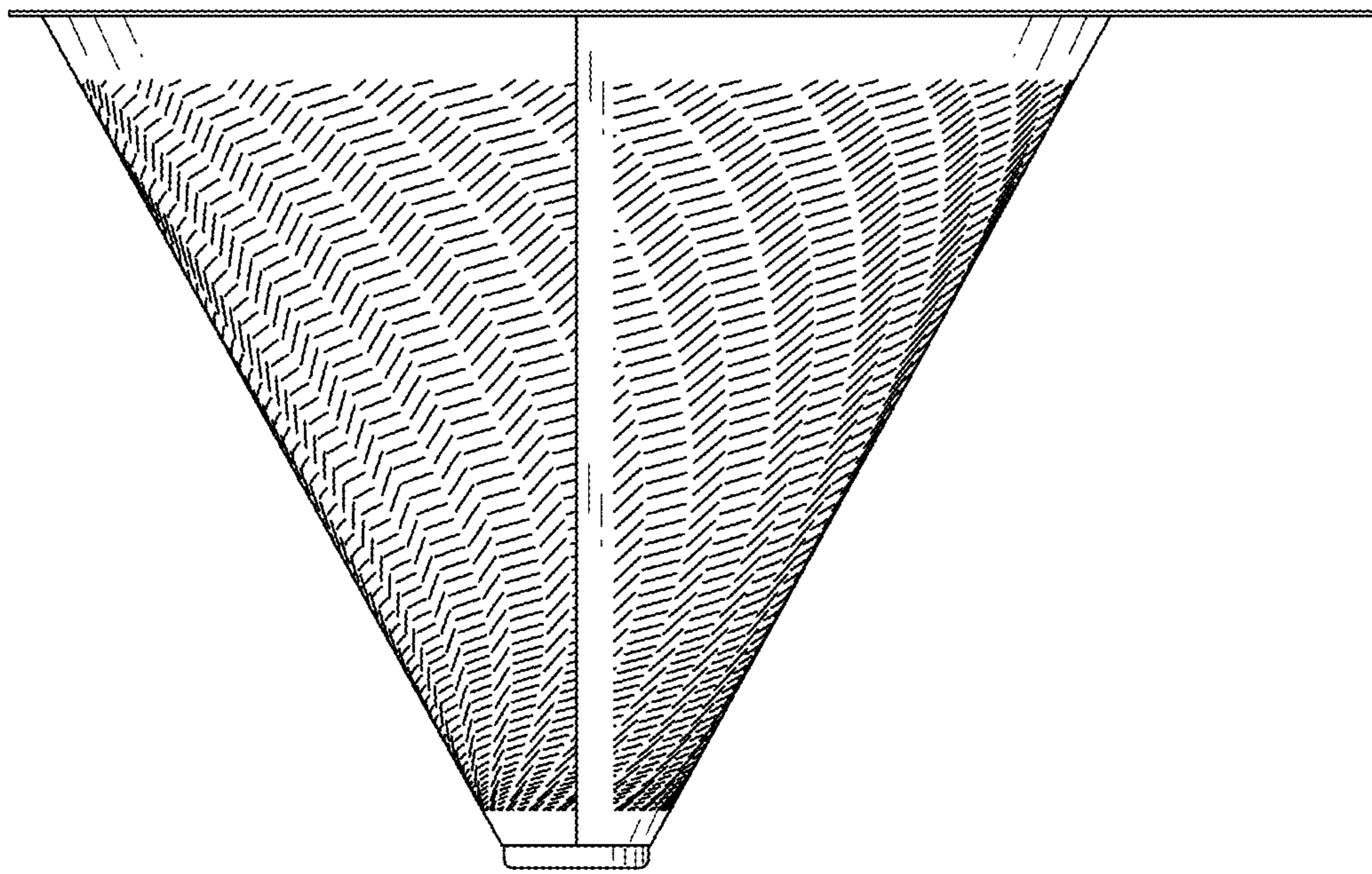


FIG. 3

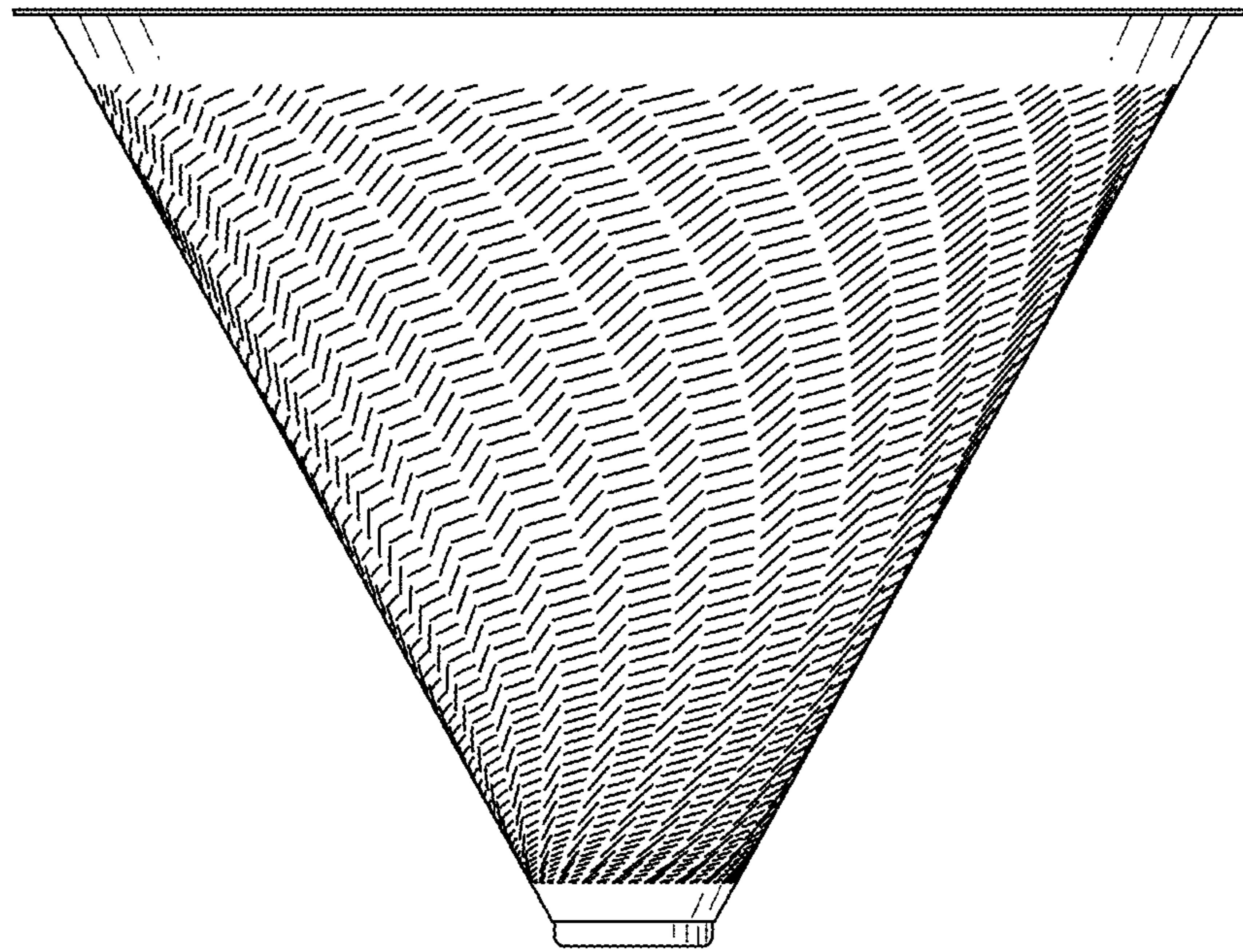


FIG. 4

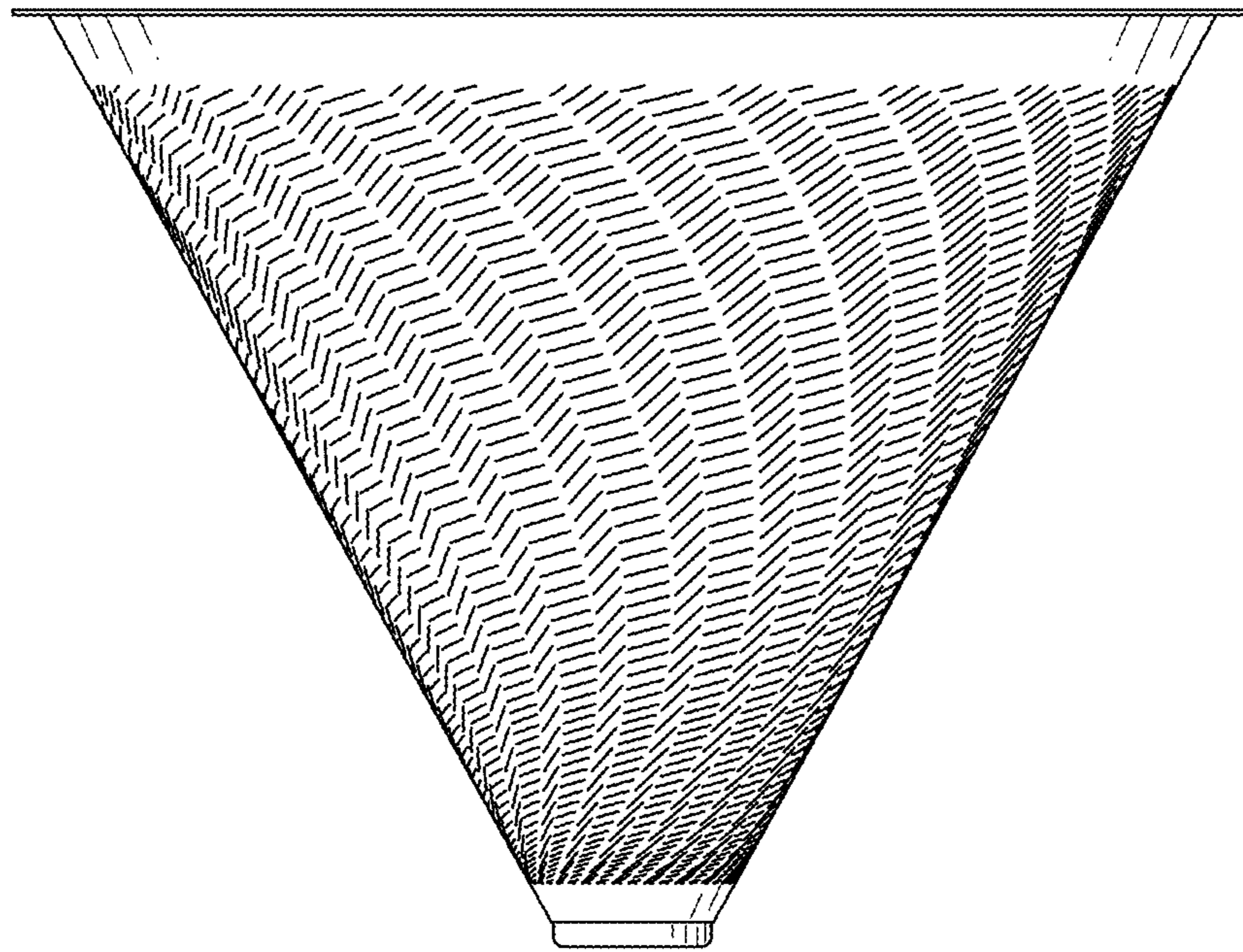


FIG. 5

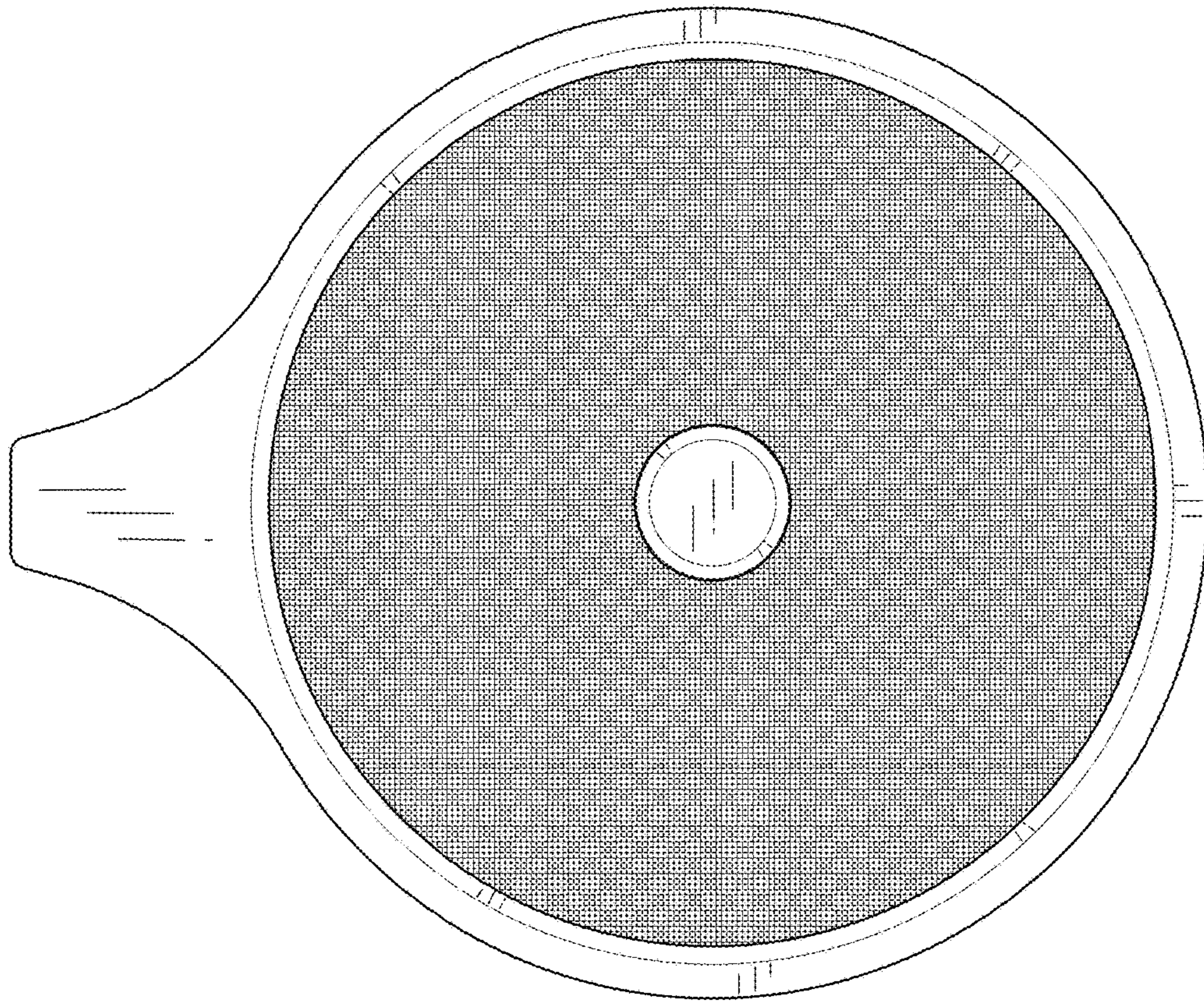


FIG. 6

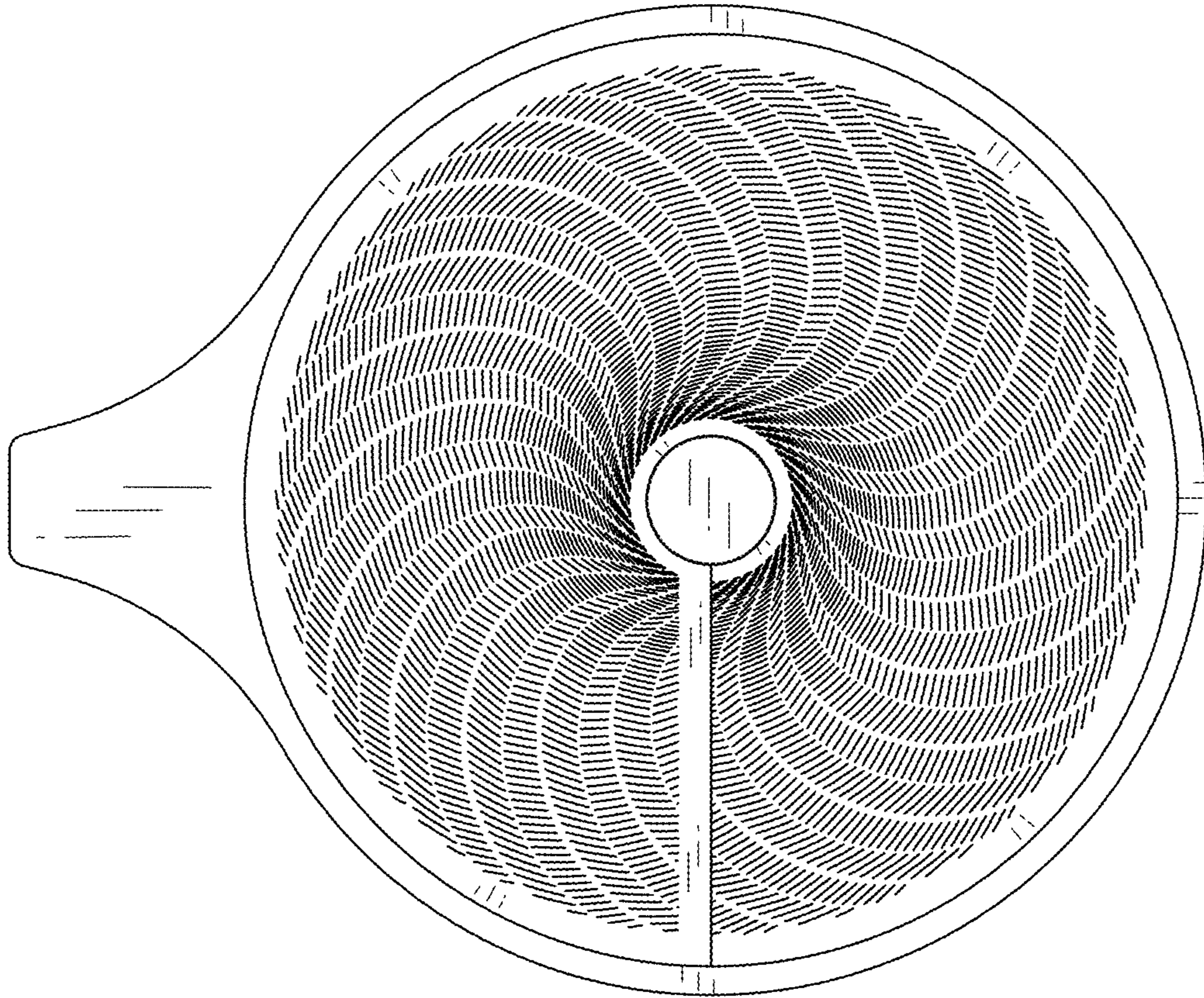


FIG. 7

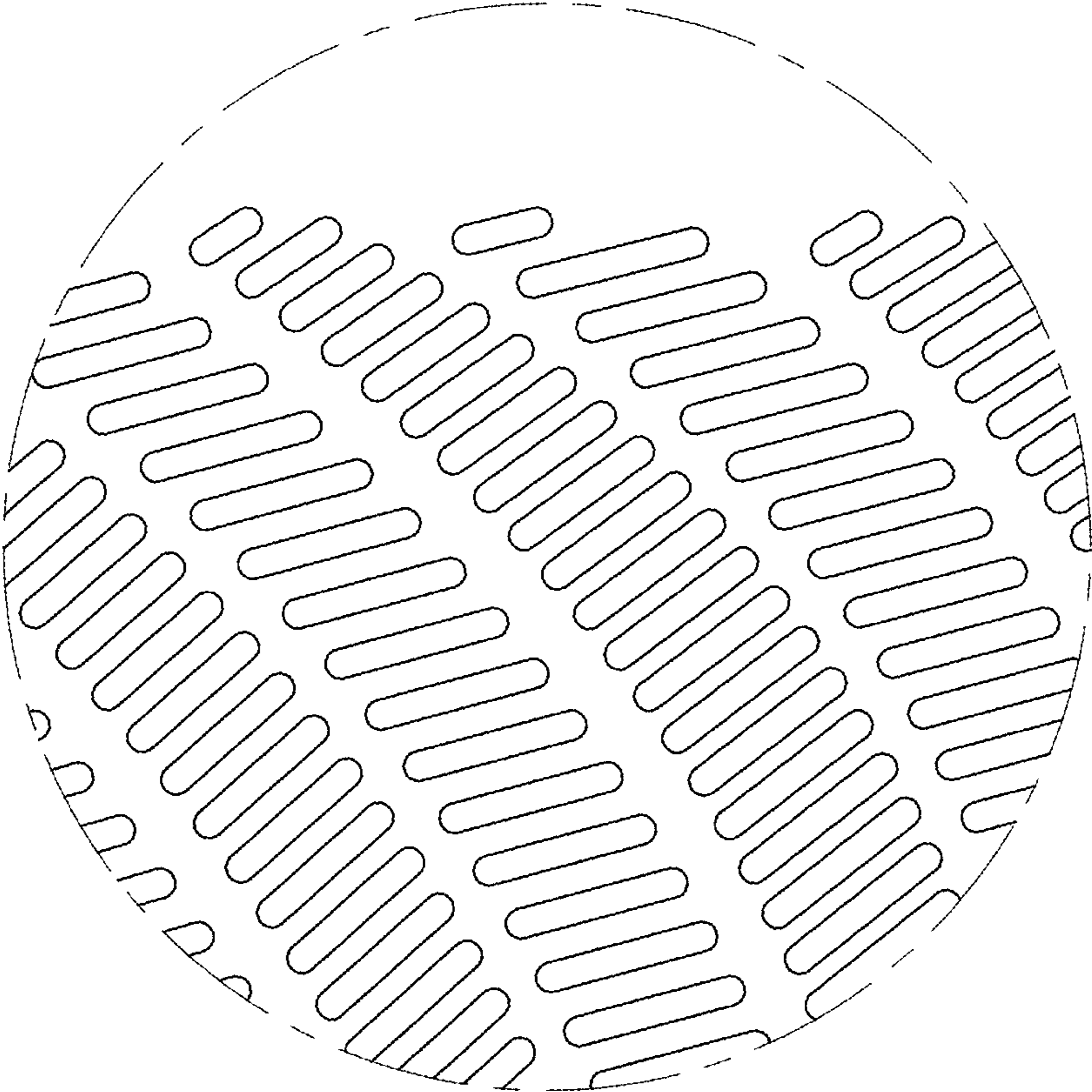


FIG. 8