



US00D803619S

(12) **United States Design Patent** (10) **Patent No.:** **US D803,619 S**
Seiders et al. (45) **Date of Patent:** **** Nov. 28, 2017**

(54) **LID**

(71) Applicant: **YETI Coolers, LLC**, Austin, TX (US)
(72) Inventors: **Roy Joseph Seiders**, Austin, TX (US); **Andy Bondhus**, Austin, TX (US); **Kyle Ellison**, Austin, TX (US); **Evan Goldberg**, Austin, TX (US)
(73) Assignee: **YETI Coolers, LLC**, Austin, TX (US)
(**) Term: **15 Years**
(21) Appl. No.: **29/568,690**

(22) Filed: **Jun. 20, 2016**

(51) **LOC (10) Cl.** **07-01**

(52) **U.S. Cl.**
USPC **D7/392.1**

(58) **Field of Classification Search**
USPC D7/391, 392, 392.1, 396.1, 396.2, 509, D7/510, 511, 514, 518; D9/435, 436, D9/440, 447, 451, 516, 530, 738
CPC B65D 47/122
See application file for complete search history.

(56) **References Cited**

U.S. PATENT DOCUMENTS

| | | | |
|---------------|---------|-------------|---------------------------|
| D192,192 S | 2/1962 | Tupper | |
| 4,090,660 A * | 5/1978 | Schram | B65D 47/0833 215/257 |
| 4,202,459 A * | 5/1980 | DeParales | B65D 43/0218 220/254.3 |
| 4,408,703 A * | 10/1983 | Libit | G01F 11/18 222/284 |
| D363,666 S | 10/1995 | Goto et al. | |
| D485,759 S * | 1/2004 | Janky | D7/392.1 |
| D504,796 S * | 5/2005 | Schuler | D7/392.1 |
| D544,749 S * | 6/2007 | Seum | D7/392.1 |
| D552,926 S | 10/2007 | Yelland | |
| D608,140 S * | 1/2010 | Gilbert | D7/392.1 |
| D627,600 S | 11/2010 | Eyal | |
| D643,245 S | 8/2011 | Minarsch | |
| D644,060 S | 8/2011 | Komeiji | |

(Continued)

OTHER PUBLICATIONS

“Contigo Extreme Stainless Steel Travel Mug”. Found online Mar. 9, 2017 at amazon.com. Page dated Sep. 13, 2016. Retrieved from https://www.amazon.com/Contigo-Extreme-Stainless-Insulated-Limited/dp/B01LZGBMKT/ref=pd_sim_79_3?_encoding=UTF8&psc=1&refRID=A4VHP8EG6AKH3BG73BMZ.*

(Continued)

Primary Examiner — Robert M Spear

Assistant Examiner — Kendra L Hamilton

(74) *Attorney, Agent, or Firm* — Banner & Witcoff, Ltd.

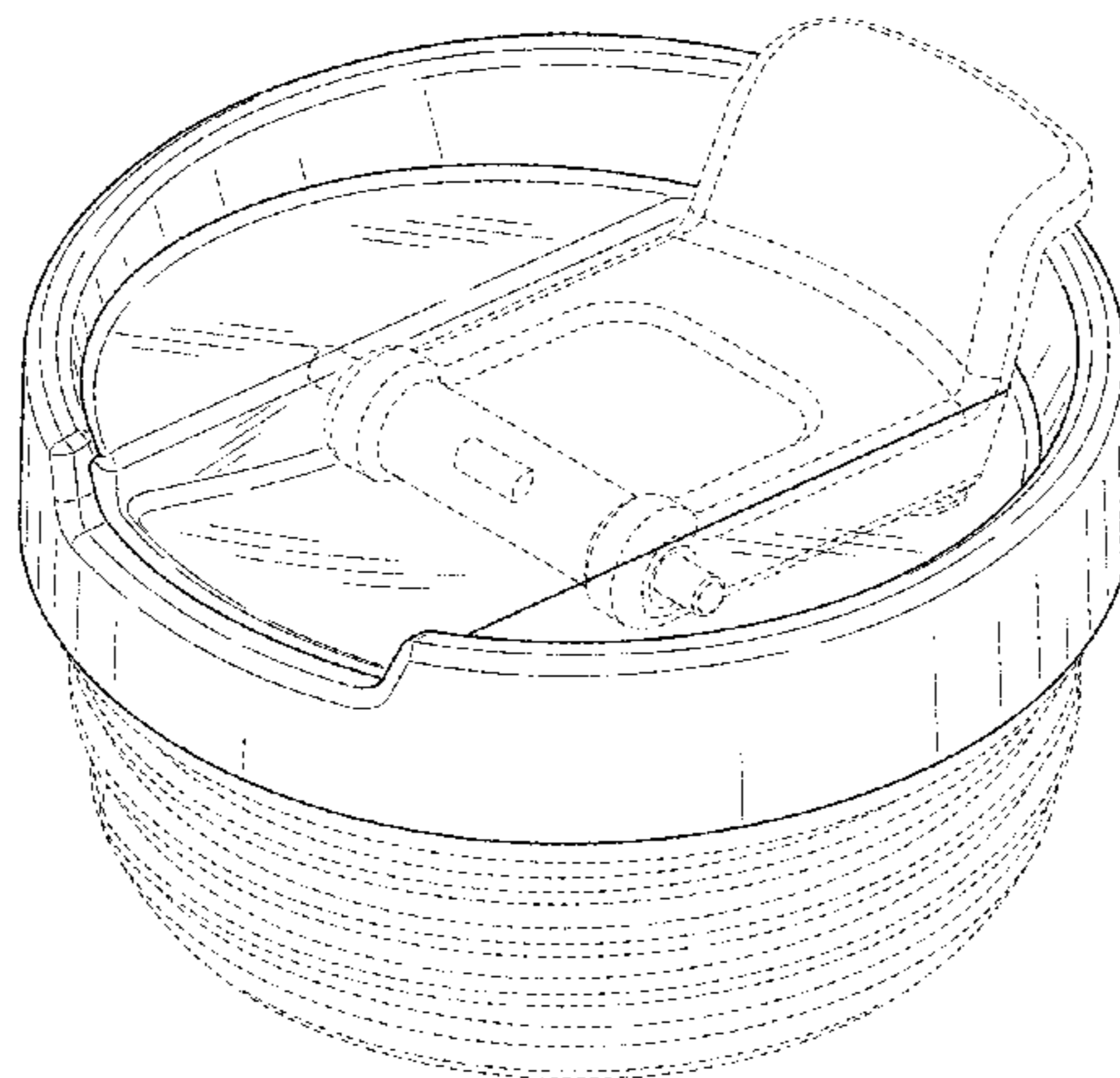
(57) **CLAIM**

The ornamental design for a lid, as shown and described.

DESCRIPTION

FIG. 1 is a top, front, right perspective view of a lid showing our new design;
FIG. 2 is a front view thereof;
FIG. 3 is a rear view thereof;
FIG. 4 is a left side view thereof;
FIG. 5 is a right side view thereof;
FIG. 6 is a top view thereof;
FIG. 7 is a top, front, right perspective view of a lid showing our new design in an alternate configuration;
FIG. 8 is a front view thereof;
FIG. 9 is a rear view thereof;
FIG. 10 is a left side view thereof;
FIG. 11 is a right side view thereof;
FIG. 12 is a top view thereof; and,
FIG. 13 is a top, front, right perspective view of a lid showing our new design in a second alternate configuration. The broken lines showing the remainder of the lid are for environmental purposes only and form no part of the claimed design.

1 Claim, 10 Drawing Sheets



(56)

References Cited

OTHER PUBLICATIONS

U.S. PATENT DOCUMENTS

D647,753 S * 11/2011 Lin D7/392.1
 D655,570 S 3/2012 Meehan
 D655,967 S 3/2012 Bodum
 D666,052 S 8/2012 Trombly
 D667,263 S * 9/2012 Gilbert D7/392.1
 8,276,776 B2 10/2012 Roth et al.
 D674,663 S * 1/2013 Cahen D7/510
 D691,416 S * 10/2013 Eyal D7/396.2
 D692,756 S 11/2013 McClellan et al.
 D715,100 S 10/2014 Eyal
 D717,115 S * 11/2014 Lane D7/511
 D721,540 S 1/2015 Grcic
 D732,337 S 6/2015 Coon et al.
 D747,199 S 1/2016 Phillips
 D751,340 S 3/2016 Seiders et al.
 D751,341 S 3/2016 Seiders et al.
 D752,381 S 3/2016 Wahl
 D761,618 S 7/2016 Lapsker
 D764,869 S 8/2016 Smrtnik et al.
 D772,651 S 11/2016 Leonard et al.
 D779,872 S 2/2017 Bergstrom
 2010/0288782 A1 11/2010 Lin
 2011/0114655 A1 * 5/2011 Bailey B65D 43/0214
 220/713
 2012/0125931 A1 5/2012 Roth et al.

“Bubba HERO Bottle Replacement Lid”. Found online Mar. 9, 2017 at amazon.com. Page dated Jan. 14, 2015. Retrieved from https://www.amazon.com/bubba-HERO-bottle-replacement-lid/dp/B00QQYDI44/ref=cm_cr_arp_d_product_top?ie=UTF8.*

“Hydro Flask Wide Mouth Hydro Flip Lid”. Found online Mar. 9, 2017 at amazon.com. Page dated Oct. 9, 2012. Retrieved from https://www.amazon.com/Hydro-Flask-Wide-Mouth-Black/dp/B01GW2H430/ref=cm_cr_arp_d_product_top?ie=UTF8.*

“Bubba Brands Classic Insulated Travel Mug”. Found online Mar. 9, 2017 at amazon.com. Page dated Sep. 30, 2010. Retrieved from https://www.amazon.com/Bubba-Brands-1953403-Classic-Insulated/dp/B01FB7IG8Y/ref=cm_cr_arp_d_product_top?ie=UTF8.*

Hydro Flask. Hydro Flip. 2015 [earliest online date], [site visited Apr. 28, 2017]. Available from Internet, <URL:<https://www.hydroflask.com/hydro-flip#92=57>>.

Jane. Spill Resistant Flip Lid and Yeti Accessories. Dec. 5, 2016 [earliest online date], [site visited Apr. 28, 2017]. Available from Internet, <URL:<https://jane.com/deal/263319/spill-resistant-flip-lid-and-yeti-accessories-30oz-many-colors>>.

* cited by examiner

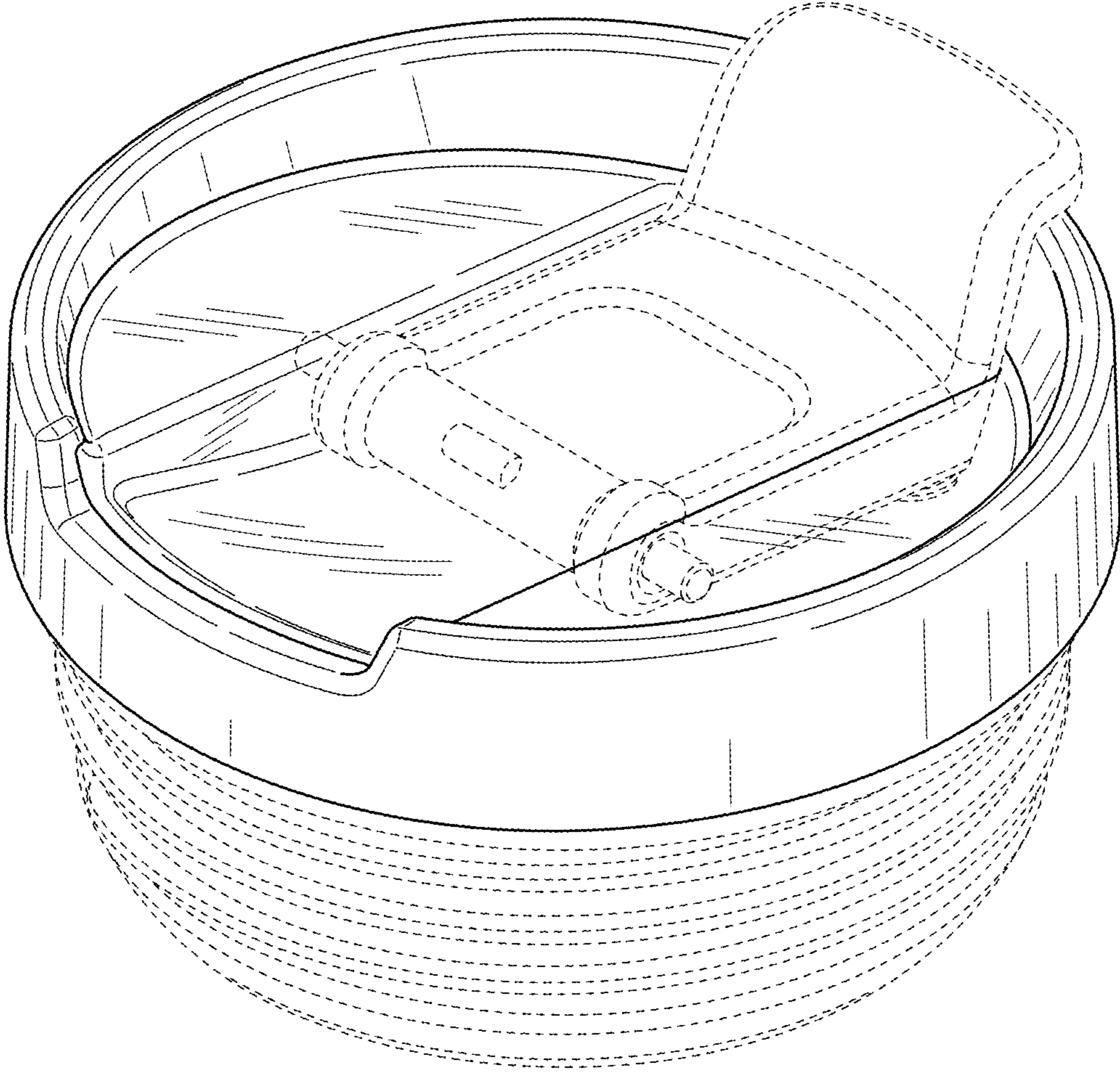


FIG. 1

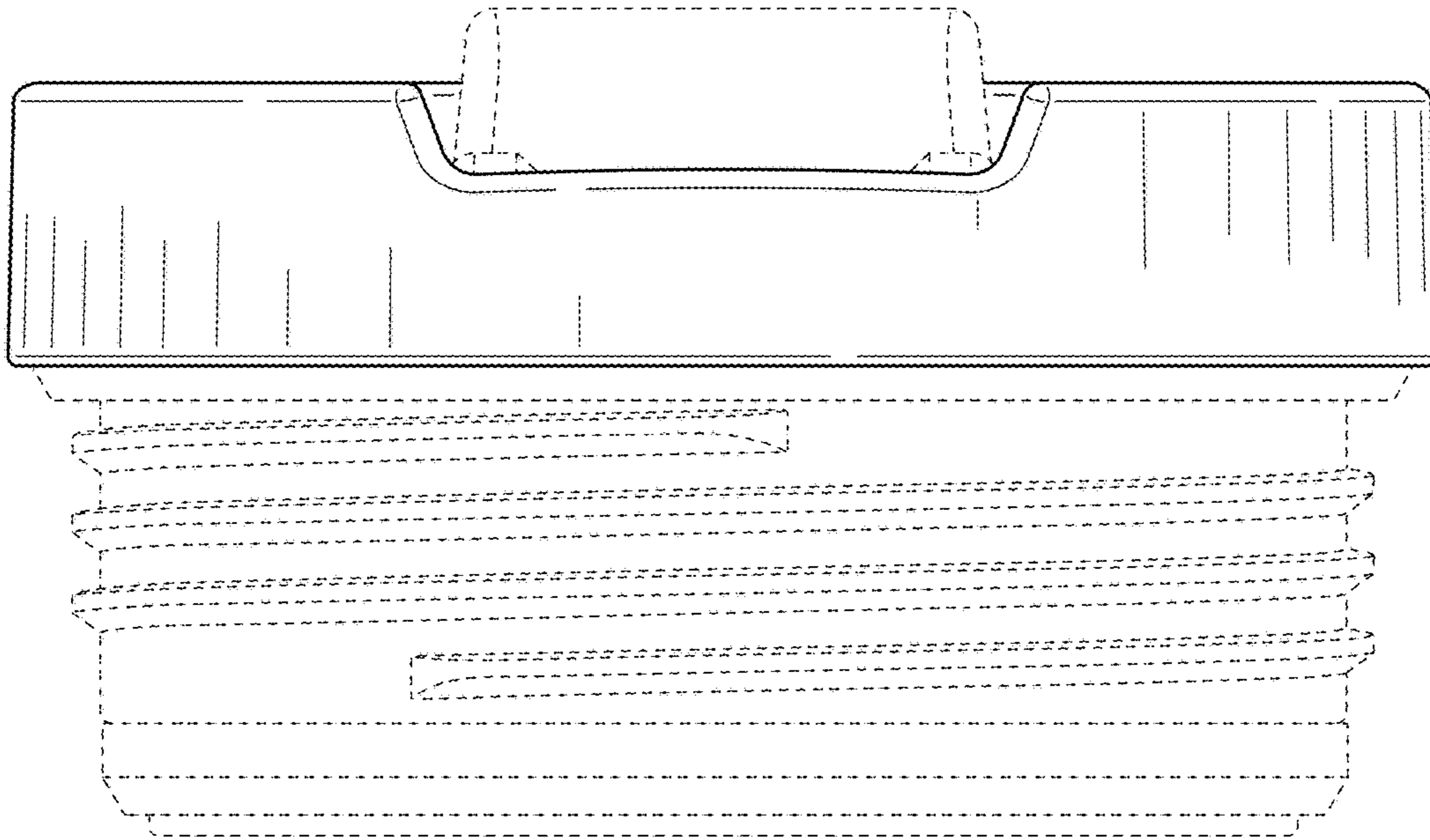


FIG. 2

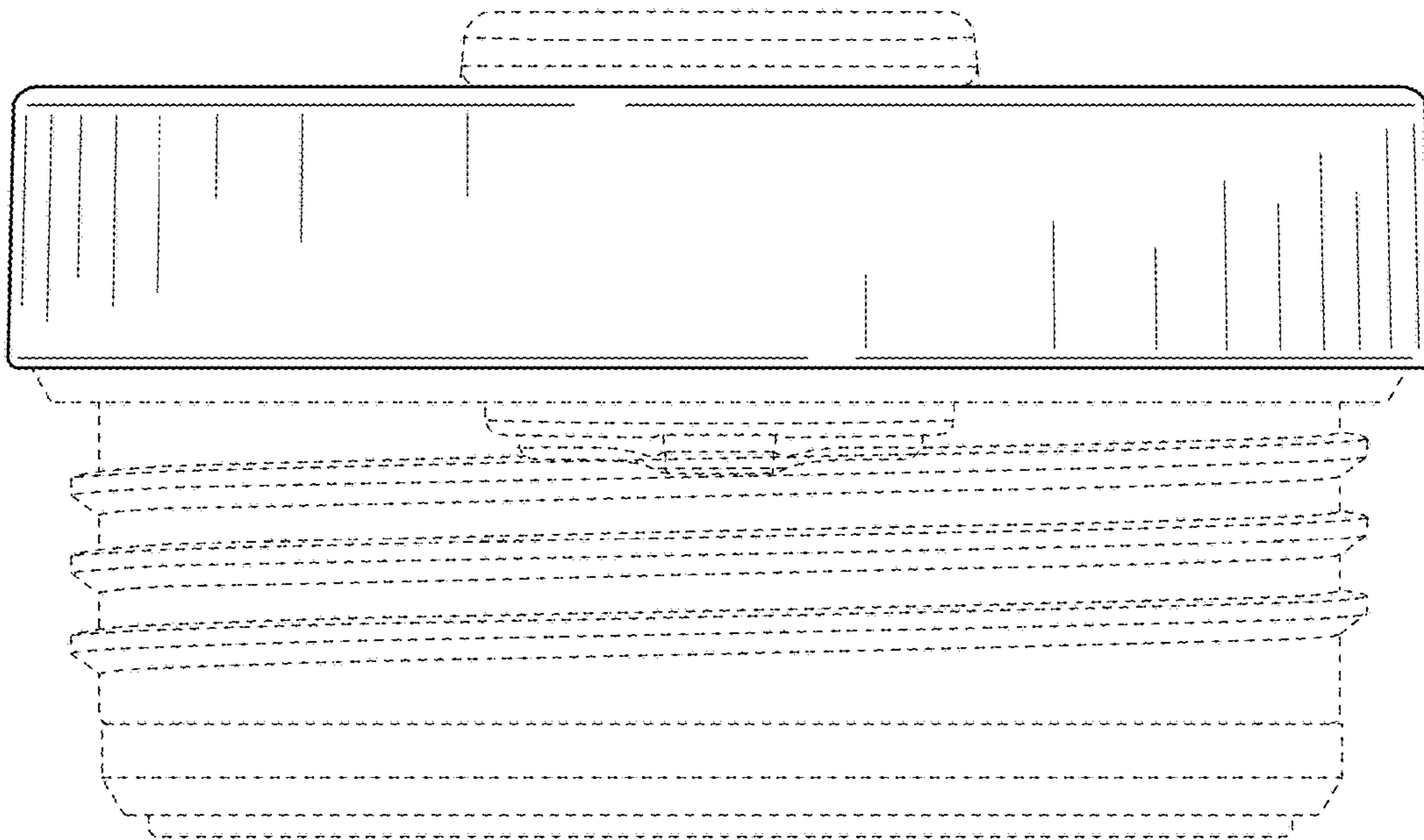


FIG. 3

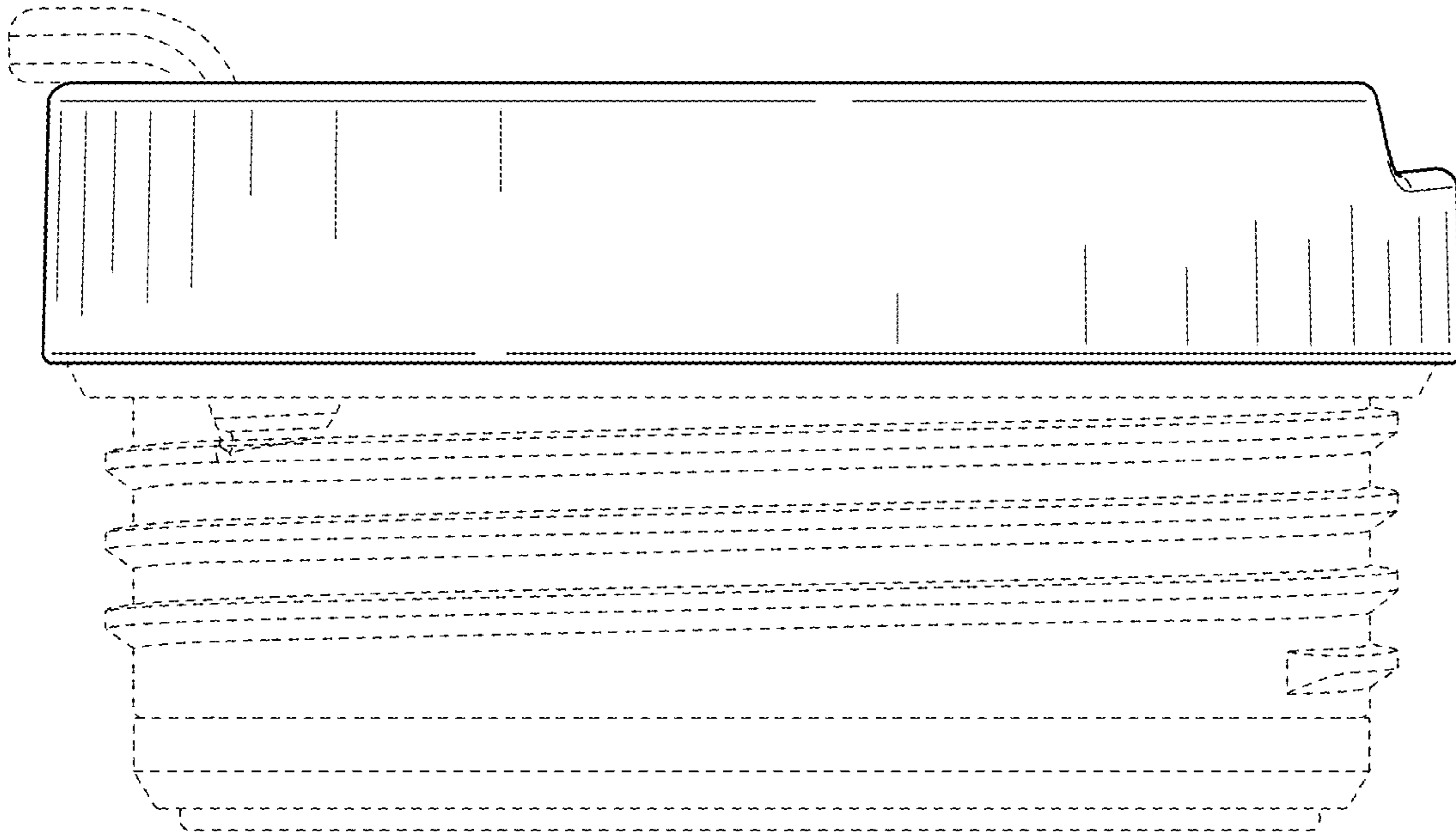


FIG. 4

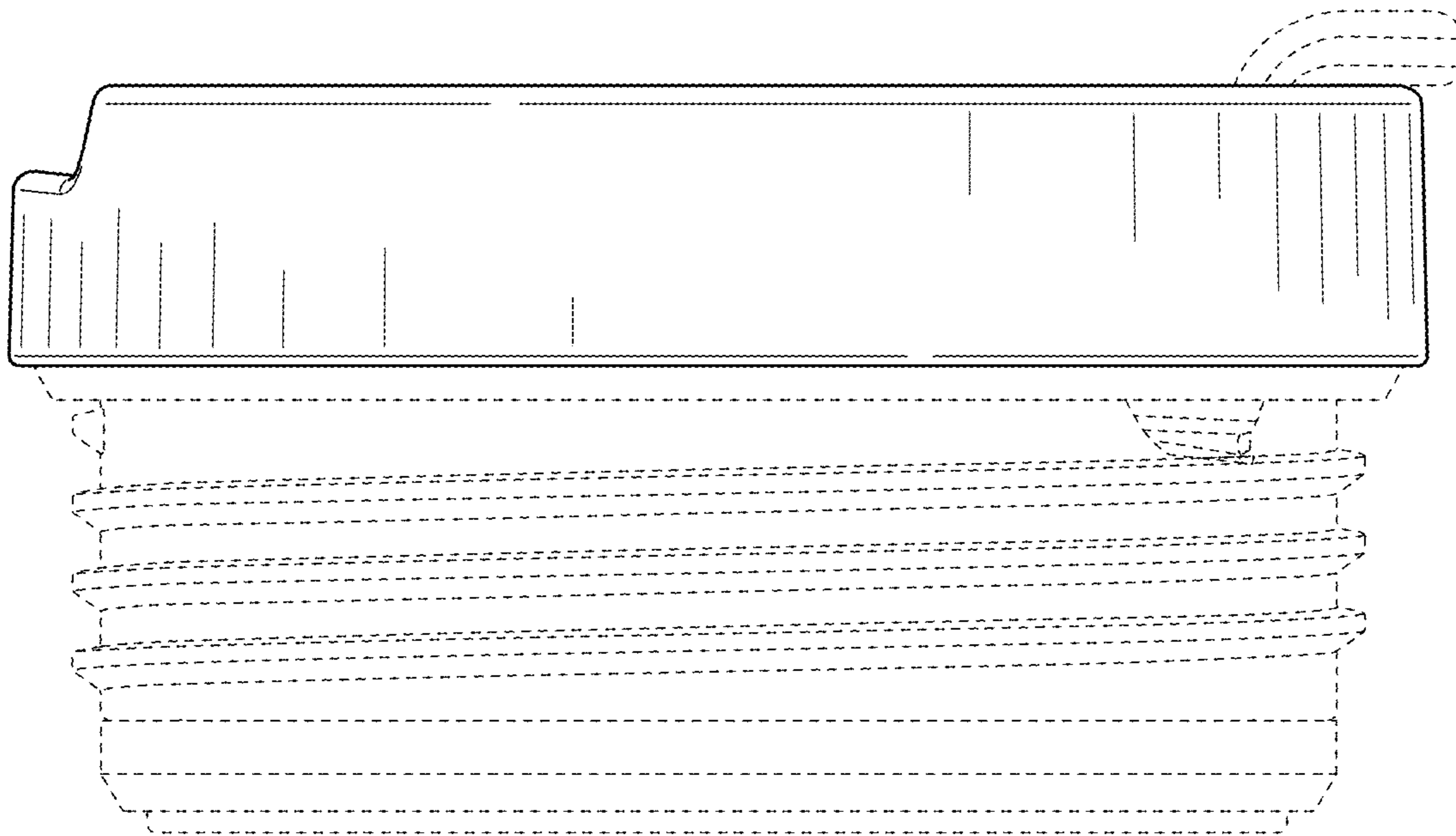


FIG. 5

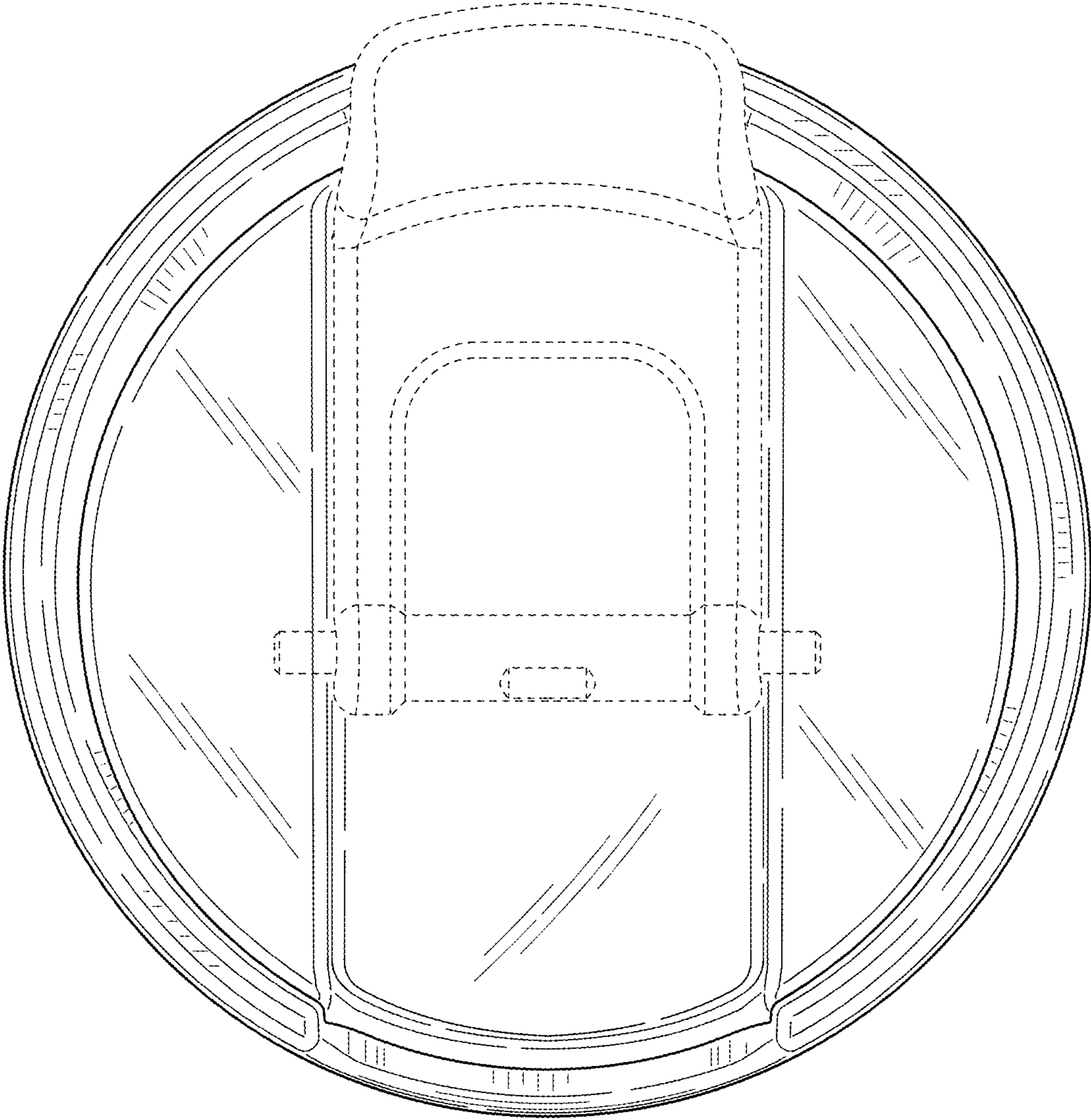


FIG. 6

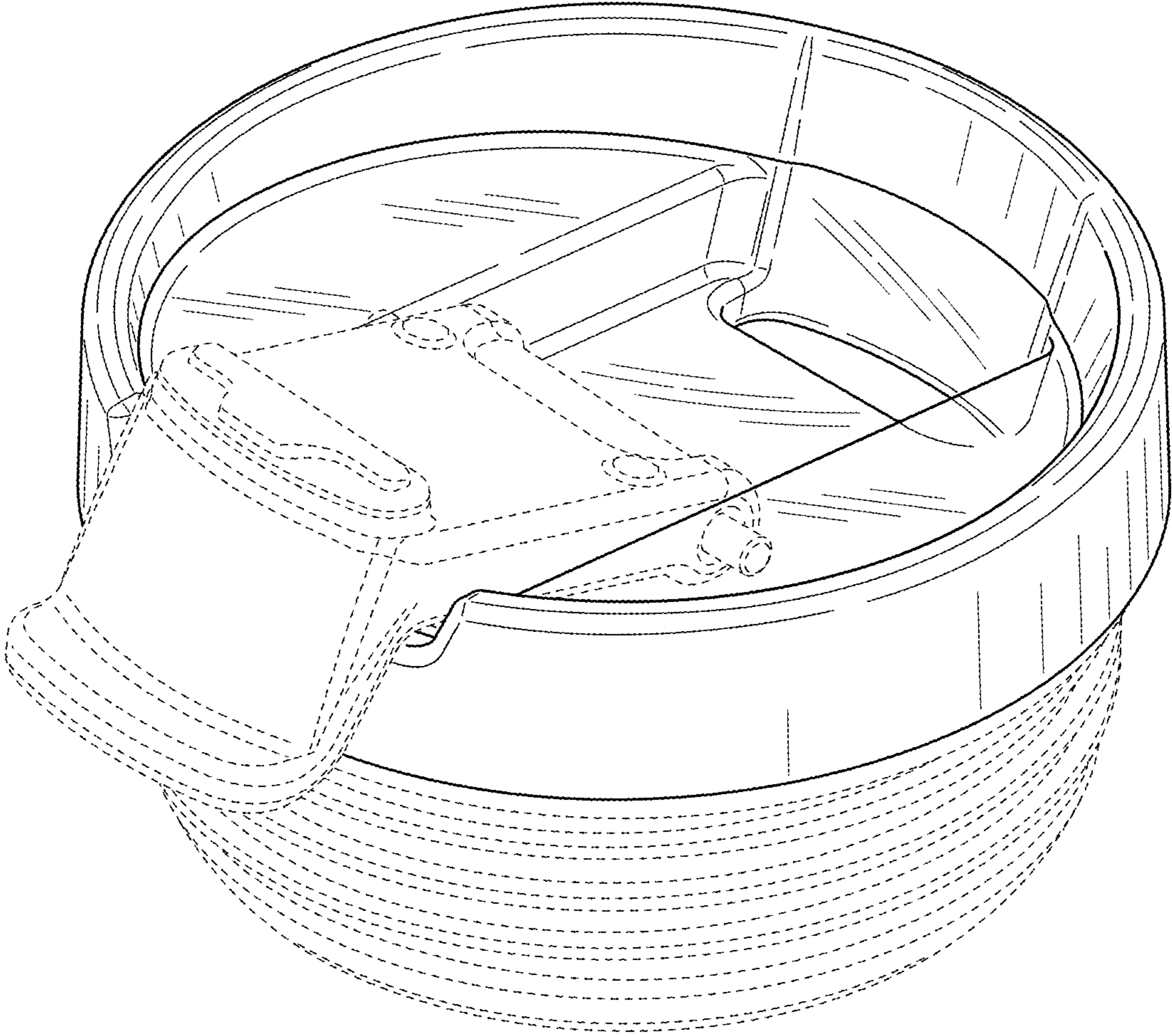


FIG. 7

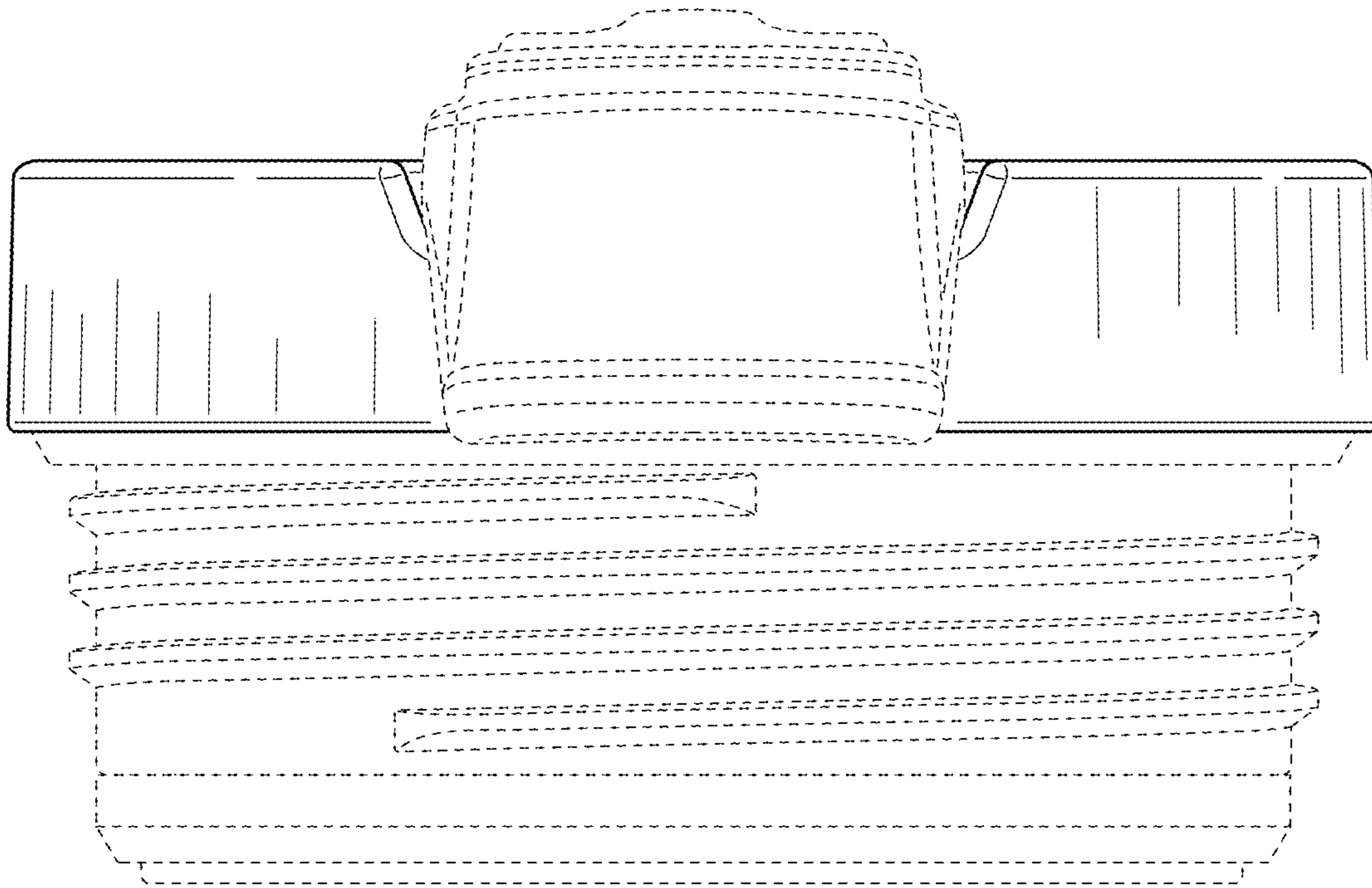


FIG. 8

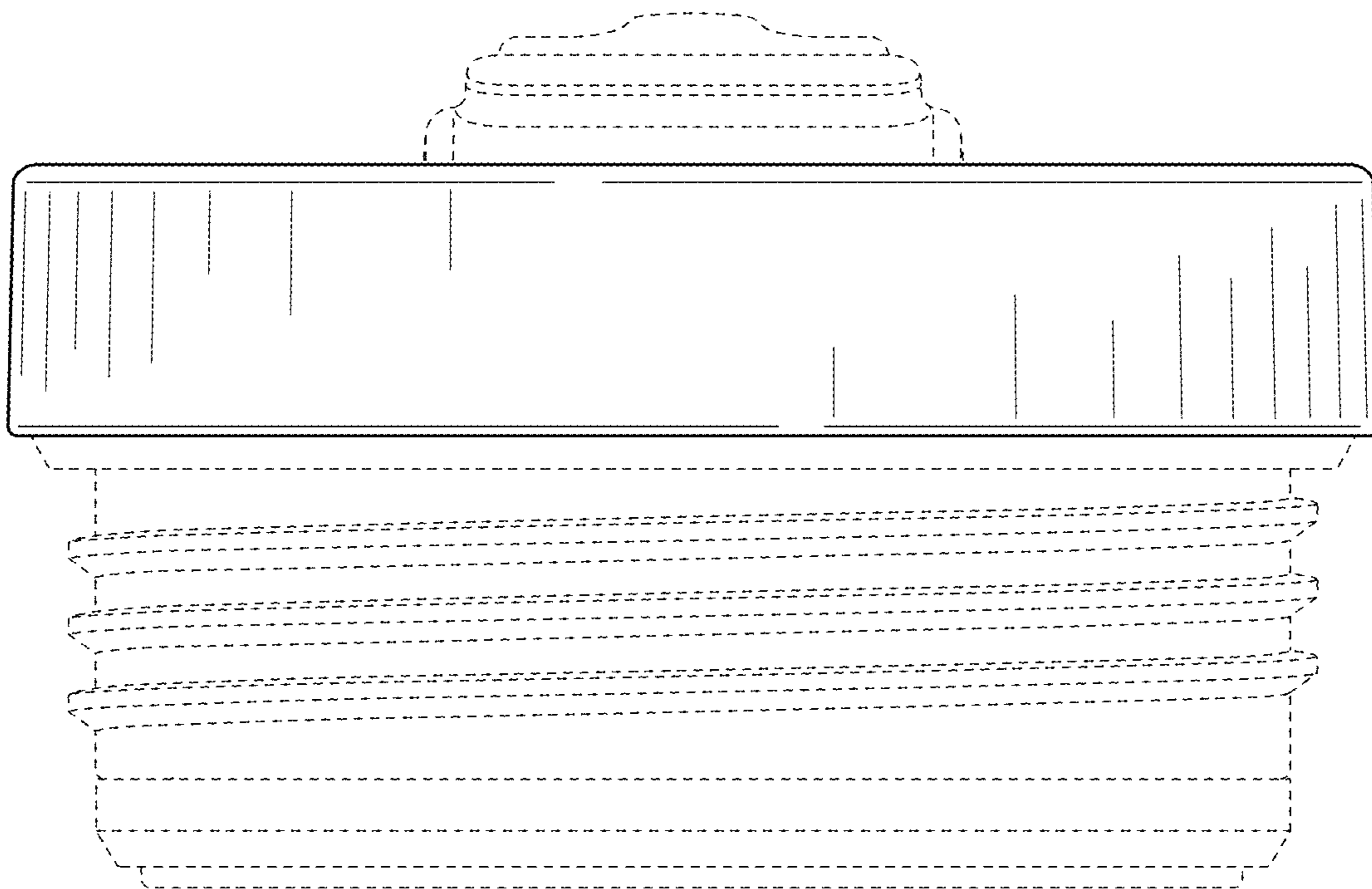


FIG. 9

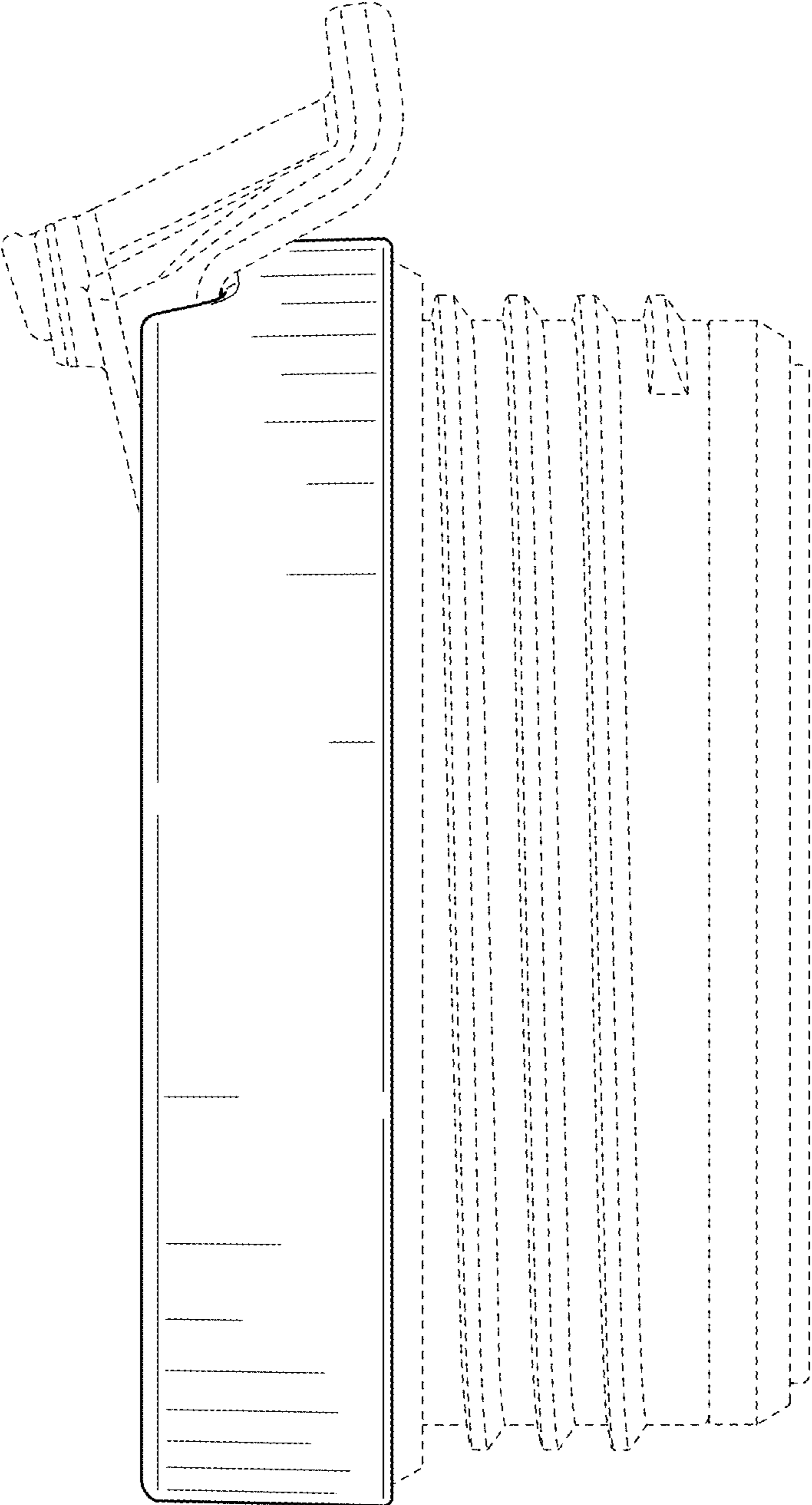


FIG.10

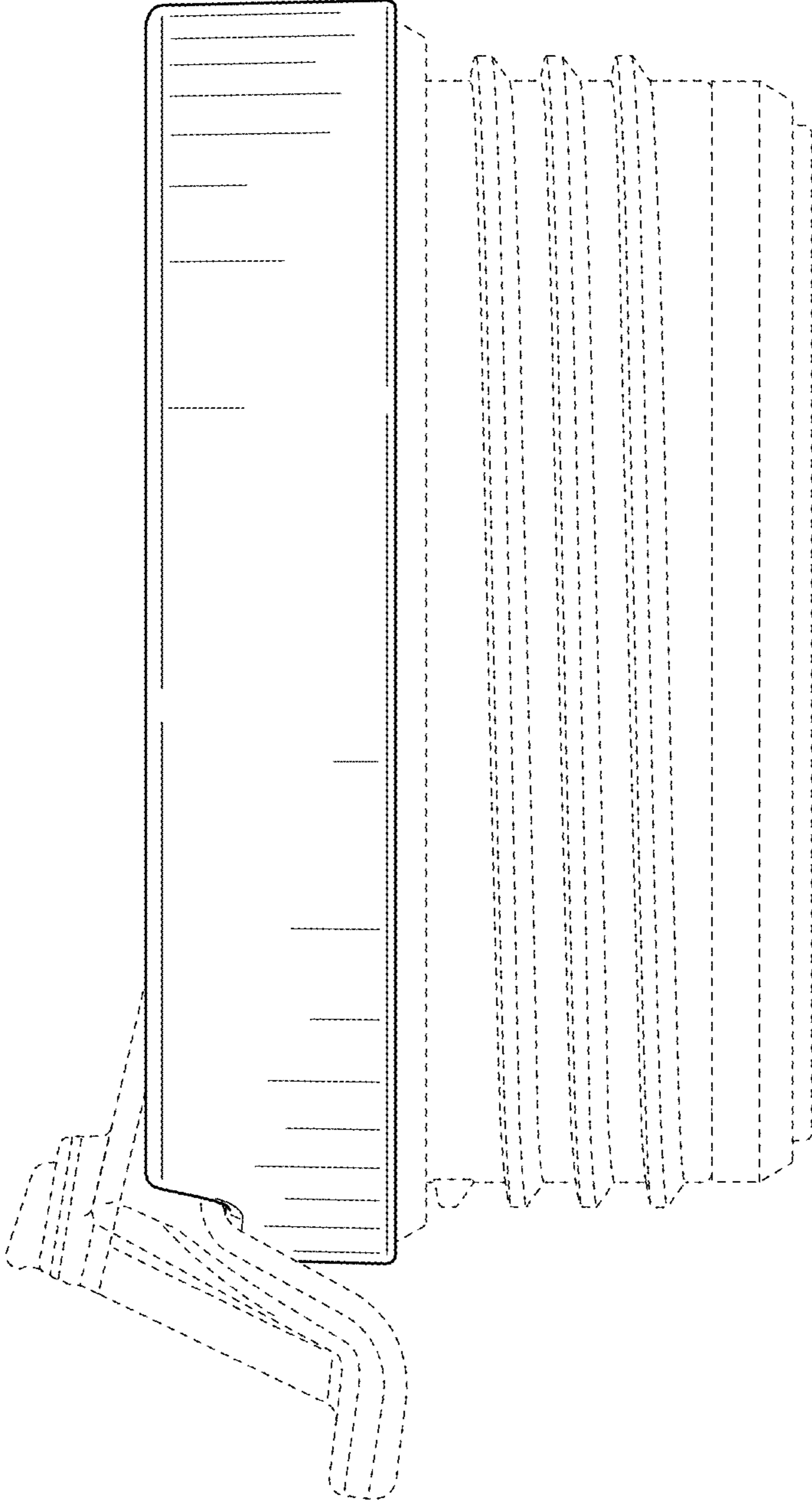


FIG.11

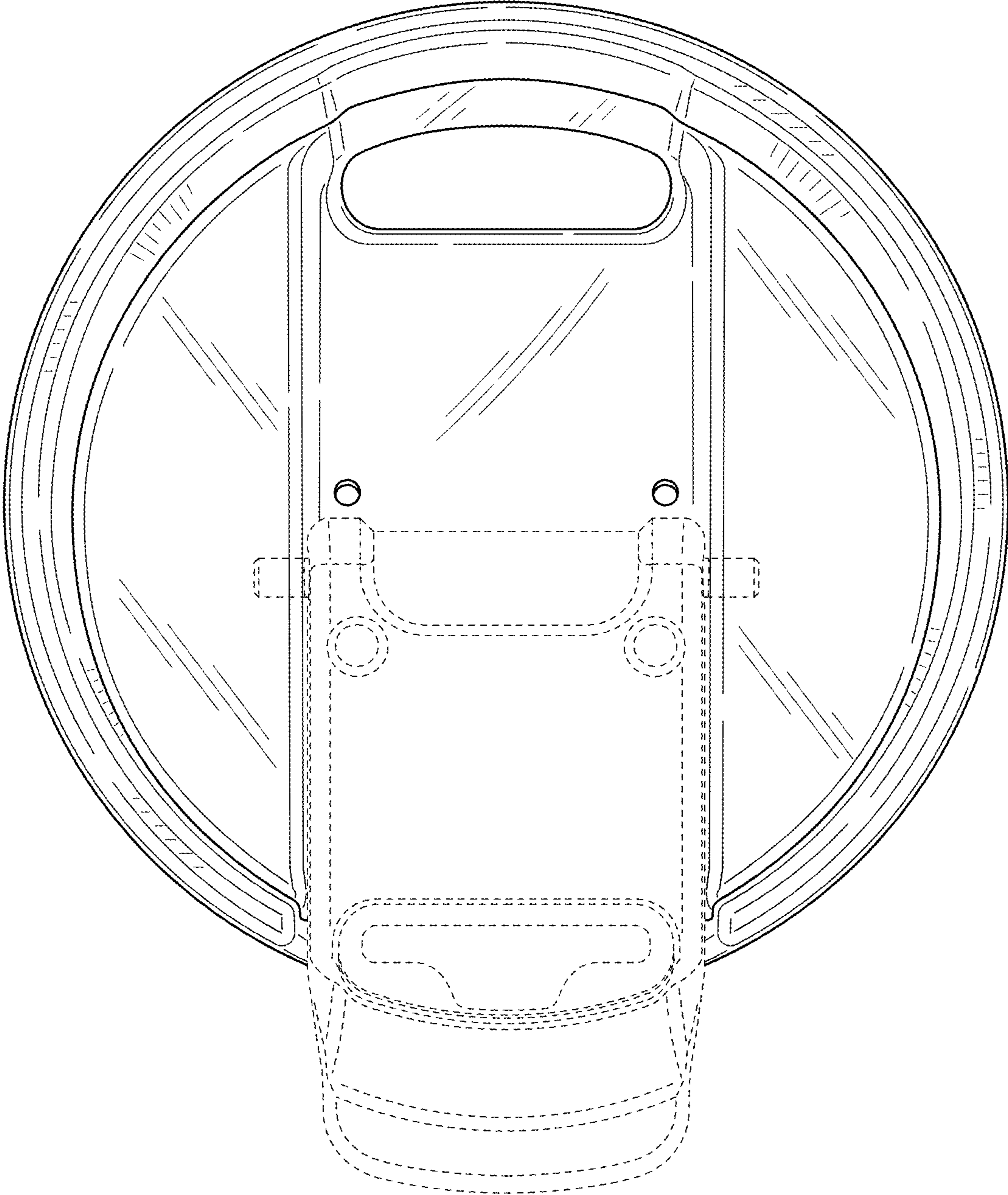


FIG. 12

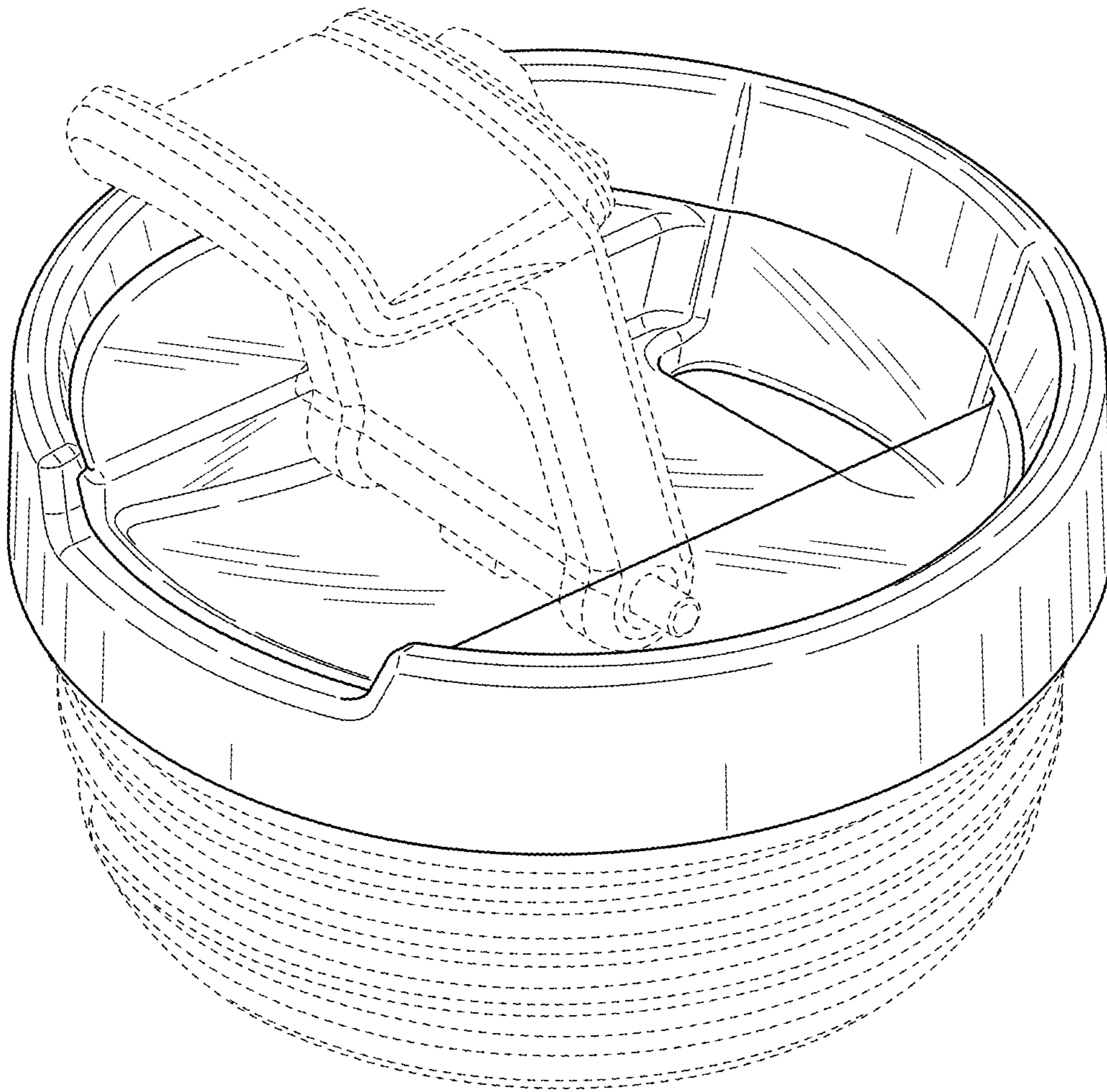


FIG. 13