



US00D803618S

(12) **United States Design Patent**  
**Blazquez et al.**

(10) **Patent No.:** **US D803,618 S**

(45) **Date of Patent:** **\*\* Nov. 28, 2017**

(54) **FOOD MIXER**

(71) Applicant: **SAMMIC, S.L.**, Azkoitia, Guipúzcoa (ES)

(72) Inventors: **Carlos Blazquez**, Guipúzcoa (ES);  
**Chao Chen**, Guipúzcoa (ES); **Javier Hidalgo**, Guipúzcoa (ES); **Aitor Gogorza**, Guipúzcoa (ES)

(73) Assignee: **SAMMIC, S.L.**, Azkoitia (ES)

(\*\*) Term: **15 Years**

(21) Appl. No.: **29/550,789**

(22) Filed: **Jan. 7, 2016**

(30) **Foreign Application Priority Data**

Nov. 26, 2015 (EM) ..... 002878454-0001  
Nov. 26, 2015 (EM) ..... 002878454-0002  
Nov. 26, 2015 (EM) ..... 002878454-0003  
Nov. 26, 2015 (EM) ..... 002878454-0004  
Nov. 26, 2015 (EM) ..... 002878454-0005  
Nov. 26, 2015 (EM) ..... 002878454-0006

(51) **LOC (10) Cl.** ..... **31-00**

(52) **U.S. Cl.**  
USPC ..... **D7/379; D7/376; D7/380**

(58) **Field of Classification Search**  
USPC ..... D7/372, 376, 378-381, 383, 393, 395, D7/669  
CPC .. A21C 1/02; A21C 1/04; A47J 43/044; A47J 43/042; A47J 43/04409; A47J 43/0722; A47J 43/0755; A47J 43/07; A47J 43/10; A47J 43/1056; A47J 43/04; B01F 3/00  
See application file for complete search history.

(56) **References Cited**

**U.S. PATENT DOCUMENTS**

D112,531 S \* 12/1938 Little ..... D7/380  
2,267,424 A \* 12/1941 Roos ..... A47J 43/1037  
366/129

D134,612 S \* 12/1942 Mayanrd ..... D7/380  
D145,940 S \* 11/1946 Kessel ..... D7/379  
D146,363 S \* 2/1947 Jagow ..... D7/380  
D151,312 S \* 10/1948 Zimmer ..... D7/380

(Continued)

**FOREIGN PATENT DOCUMENTS**

ES EP 1230883 A2 \* 8/2002 ..... A47J 43/06  
ES EP 1232712 A2 \* 8/2002 ..... A47J 43/0711

(Continued)

*Primary Examiner* — Caron D Veynar

*Assistant Examiner* — Mehri Bajoul

(74) *Attorney, Agent, or Firm* — Collard & Roe, P.C.

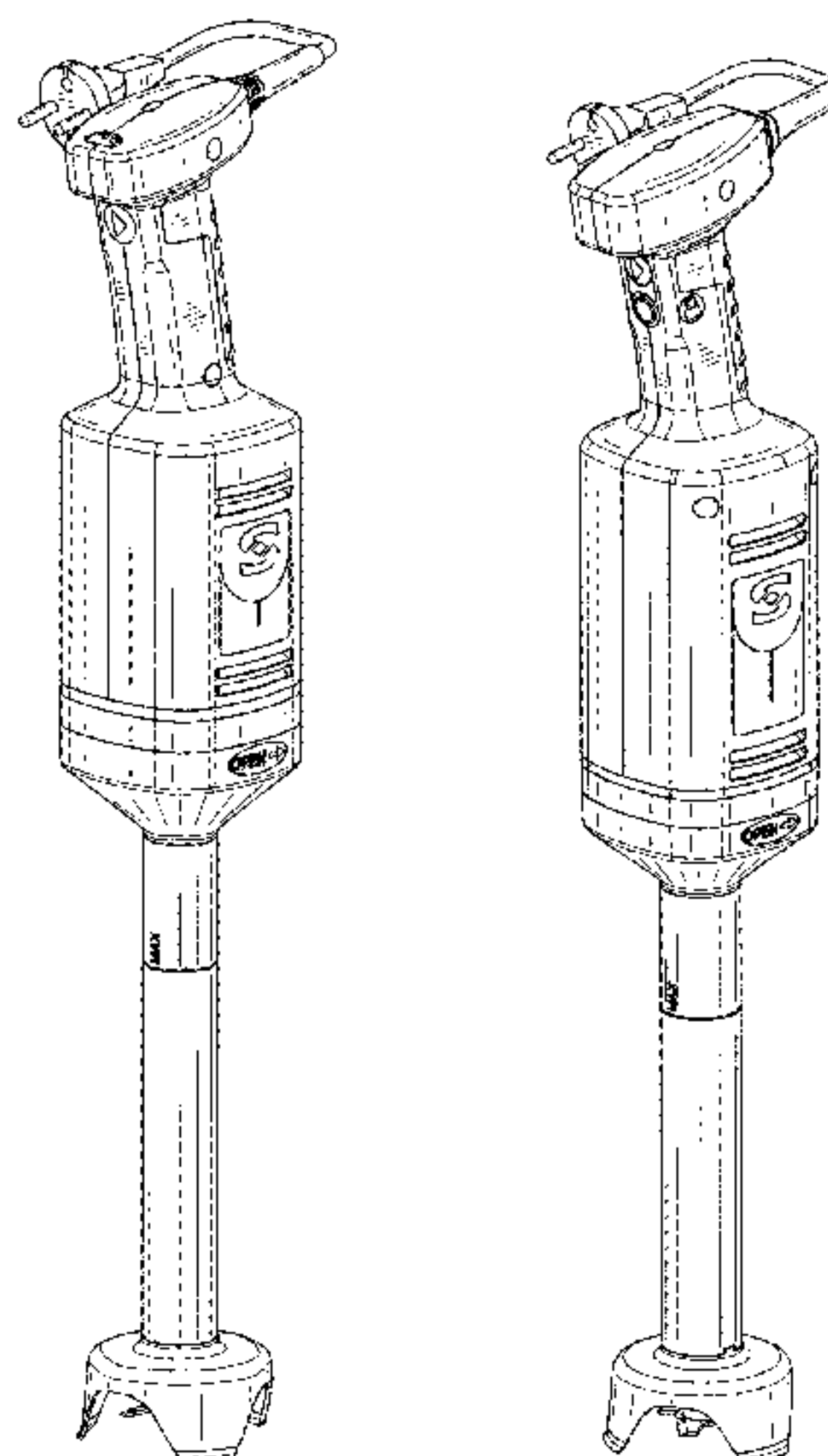
(57) **CLAIM**

The ornamental design for a food mixer, as shown.

**DESCRIPTION**

FIG. 1 is a first embodiment of a right perspective view of a food mixer showing our new design; FIG. 2 is a left perspective view thereof; FIG. 3 is a top view thereof; FIG. 4 is a bottom view thereof; FIG. 5 is a right side view thereof; FIG. 6 is a left side view thereof; FIG. 7 is a rear view thereof; and FIG. 8 is a front view thereof. FIG. 9 is a right perspective view of a second embodiment of a food mixer showing our new design; FIG. 10 is a left perspective view thereof; FIG. 11 is a top view thereof; FIG. 12 is a bottom view thereof; FIG. 13 is a right side view thereof; FIG. 14 is a left side view thereof; FIG. 15 is a rear view thereof; and, FIG. 16 is a front view thereof.

**1 Claim, 8 Drawing Sheets**



(56)

References Cited

U.S. PATENT DOCUMENTS

D156,792 S \* 1/1950 White ..... D7/380  
 D157,955 S \* 4/1950 Johnson ..... D7/380  
 D157,956 S \* 4/1950 Johnson ..... D7/380  
 D162,833 S \* 4/1951 Iannelli ..... D7/379  
 D177,775 S \* 5/1956 Talge ..... D7/380  
 2,863,332 A \* 12/1958 Maynard ..... A47J 43/1037  
 220/4.21  
 D185,970 S \* 8/1959 Eltham ..... D7/380  
 D187,038 S \* 1/1960 Hvale ..... D7/380  
 D192,812 S \* 5/1962 Havel ..... D7/380  
 D195,344 S \* 6/1963 Lindahl ..... D7/380  
 4,193,697 A \* 3/1980 Lebowitz ..... A47J 43/1037  
 366/129  
 D303,065 S \* 8/1989 Tsuji ..... D7/379  
 D314,489 S \* 2/1991 Van Deursen ..... D7/379  
 D327,603 S \* 7/1992 van Asten ..... D7/376  
 D358,293 S \* 5/1995 Sebastia ..... D7/376  
 D361,241 S \* 8/1995 Littmann ..... D7/376  
 D374,589 S \* 10/1996 Chan ..... D7/376  
 D392,504 S \* 3/1998 Lallemand ..... D7/376  
 D394,367 S \* 5/1998 Littmann ..... D7/376  
 D398,809 S \* 9/1998 Henderson ..... D7/376  
 D400,756 S \* 11/1998 Henderson ..... D7/376  
 D447,380 S \* 9/2001 Feil ..... D7/376  
 D456,206 S \* 4/2002 Feil ..... D7/376  
 D465,967 S \* 11/2002 Dalton ..... D7/379  
 D485,729 S \* 1/2004 Patton ..... D7/376  
 D494,410 S \* 8/2004 Stuart ..... D7/379  
 D506,102 S \* 6/2005 Ikegaki ..... D7/376  
 D510,837 S \* 10/2005 Lloyd ..... D7/376  
 D527,582 S \* 9/2006 Wilson ..... D7/368  
 D533,022 S \* 12/2006 Piret ..... D7/379  
 D534,032 S \* 12/2006 Lloyd ..... D7/380  
 7,172,334 B2 \* 2/2007 Chiappetta ..... A47J 43/0711  
 366/129

D572,075 S \* 7/2008 Wong ..... D7/376  
 D592,447 S \* 5/2009 Blaise ..... D7/376  
 D614,438 S \* 4/2010 Fukasawa ..... D7/376  
 D638,656 S \* 5/2011 Brinckerhoff ..... D7/376  
 D641,587 S \* 7/2011 Colburn ..... D7/376  
 D644,479 S \* 9/2011 Lownds ..... D7/376  
 D645,306 S \* 9/2011 Lownds ..... D7/376  
 D649,394 S \* 11/2011 Grabes ..... D7/376  
 D651,041 S \* 12/2011 Bachmann ..... D7/376  
 D651,846 S \* 1/2012 Roseby ..... D7/376  
 D659,466 S \* 5/2012 Wheeler ..... D7/395  
 D660,641 S \* 5/2012 Hoare ..... D7/376  
 D662,765 S \* 7/2012 Grabes ..... D7/376  
 D663,157 S \* 7/2012 Nordwall ..... D7/376  
 D667,682 S \* 9/2012 Agren ..... D7/376  
 D668,099 S \* 10/2012 Ferraby ..... D7/376  
 D668,911 S \* 10/2012 Bachmann ..... D7/376  
 D681,391 S \* 5/2013 Agren ..... D7/376  
 D695,565 S \* 12/2013 Verbrugge ..... D7/376  
 D695,566 S \* 12/2013 Egger ..... D7/376  
 D700,798 S \* 3/2014 Wu ..... D7/376  
 D724,373 S \* 3/2015 Ji ..... D7/376  
 D724,374 S \* 3/2015 Sanguinetti ..... D7/376  
 D731,236 S \* 6/2015 Yin ..... D7/376  
 D751,858 S \* 3/2016 Zhang ..... D7/378  
 2006/0291325 A1 \* 12/2006 Garcia ..... A47J 43/0755  
 366/129  
 2007/0054744 A1 \* 3/2007 Garcia ..... A47J 43/0755  
 464/160

FOREIGN PATENT DOCUMENTS

ES EP 1733665 A2 \* 12/2006 ..... A47J 43/0755  
 ES EP 1747745 A1 \* 1/2007 ..... A47J 43/0755  
 ES EP 2116162 A1 \* 11/2009 ..... A47J 43/07  
 FR EP 2116162 A1 \* 11/2009 ..... A47J 43/07  
 KR 20110002028 U \* 3/2011

\* cited by examiner



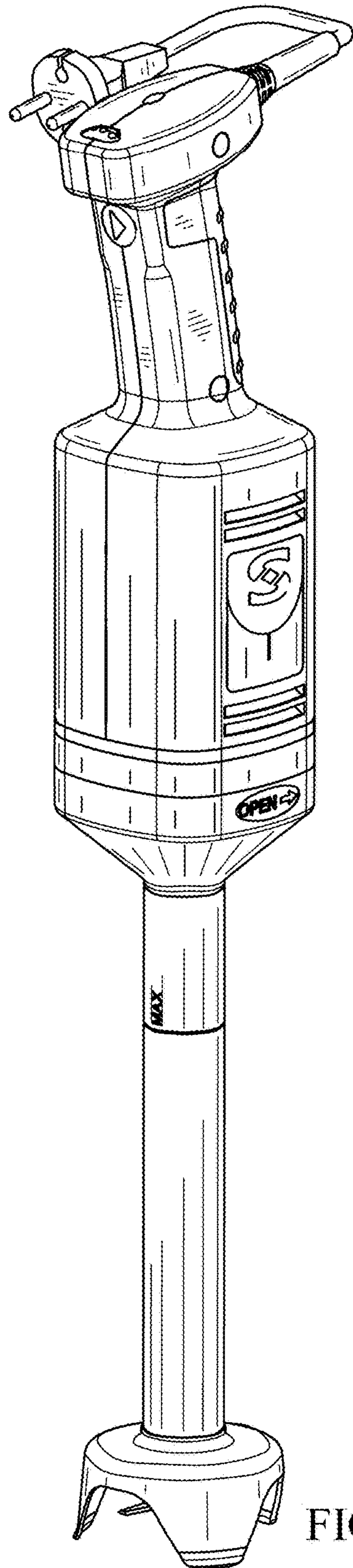


FIG. 1

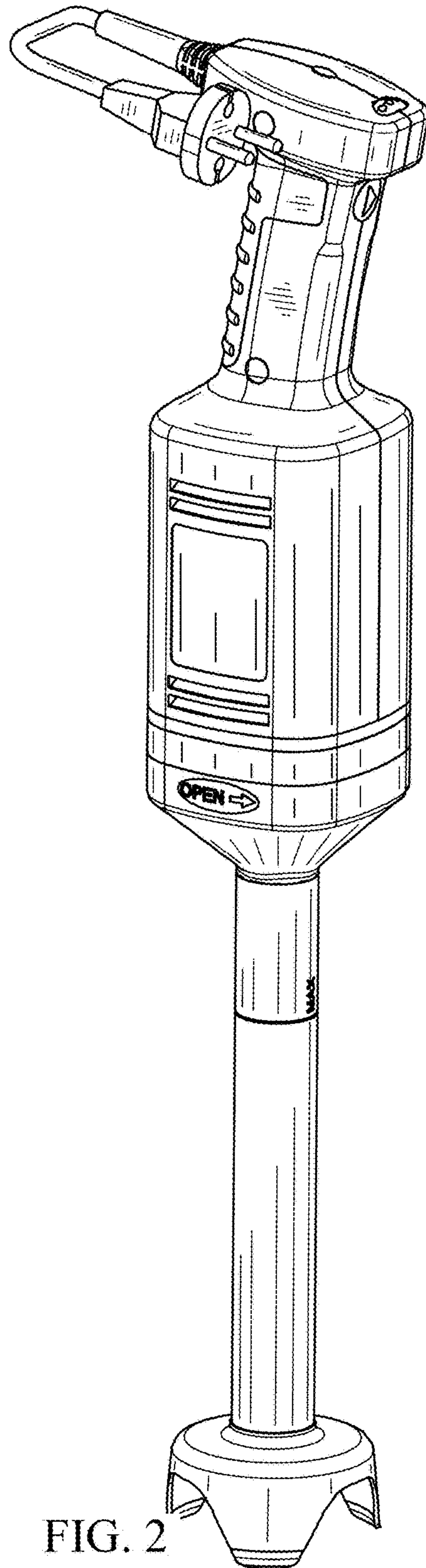


FIG. 2

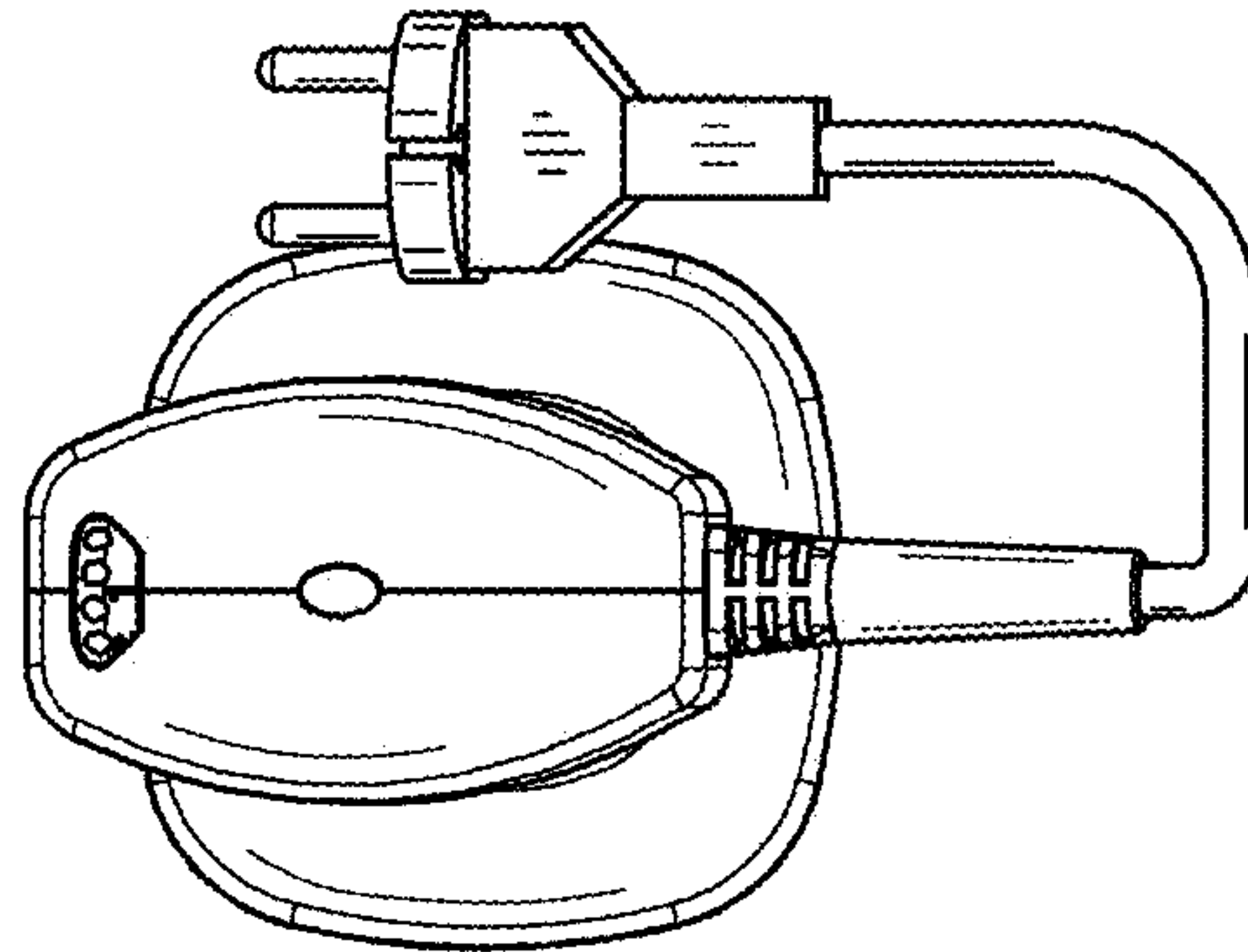


FIG. 3

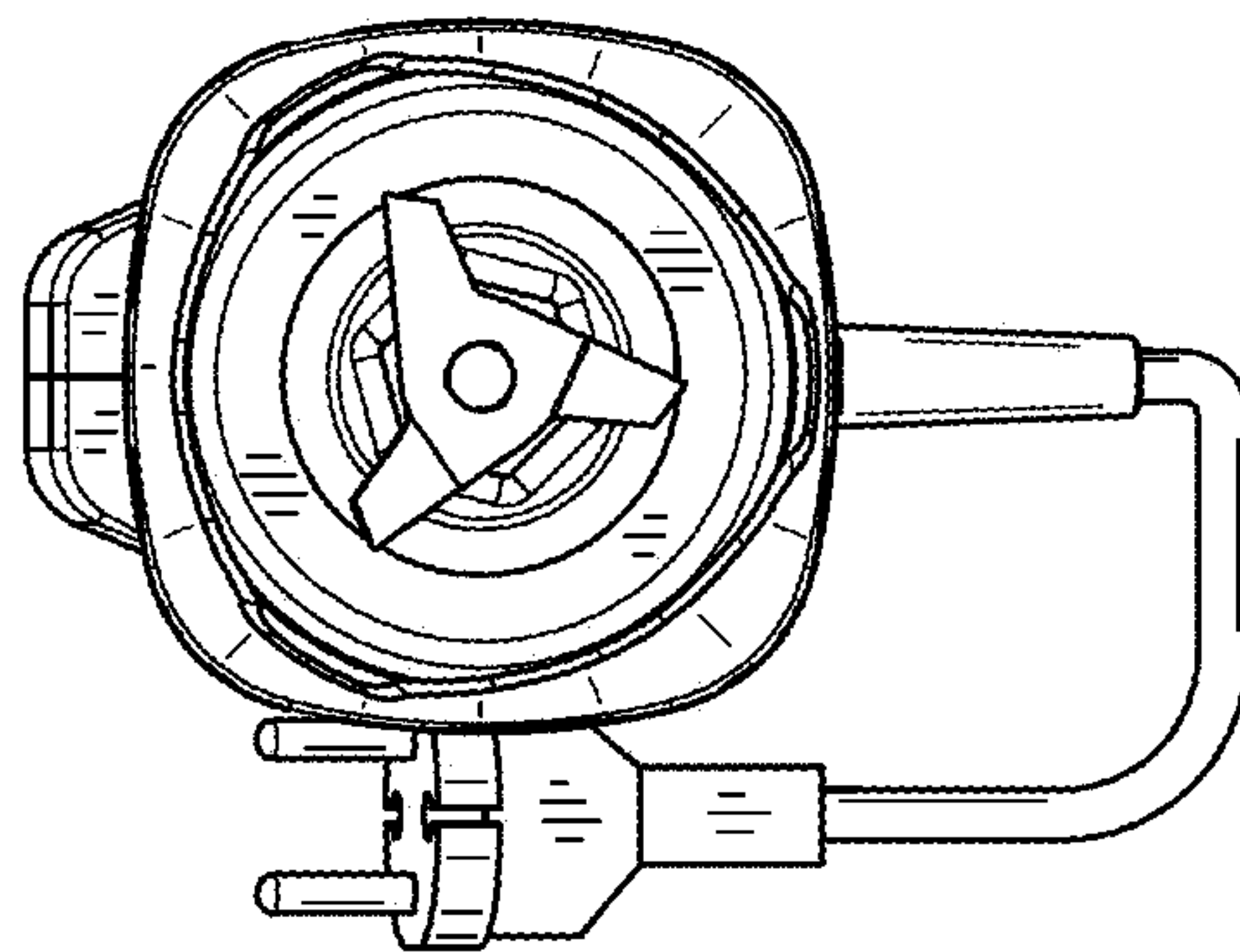


FIG. 4

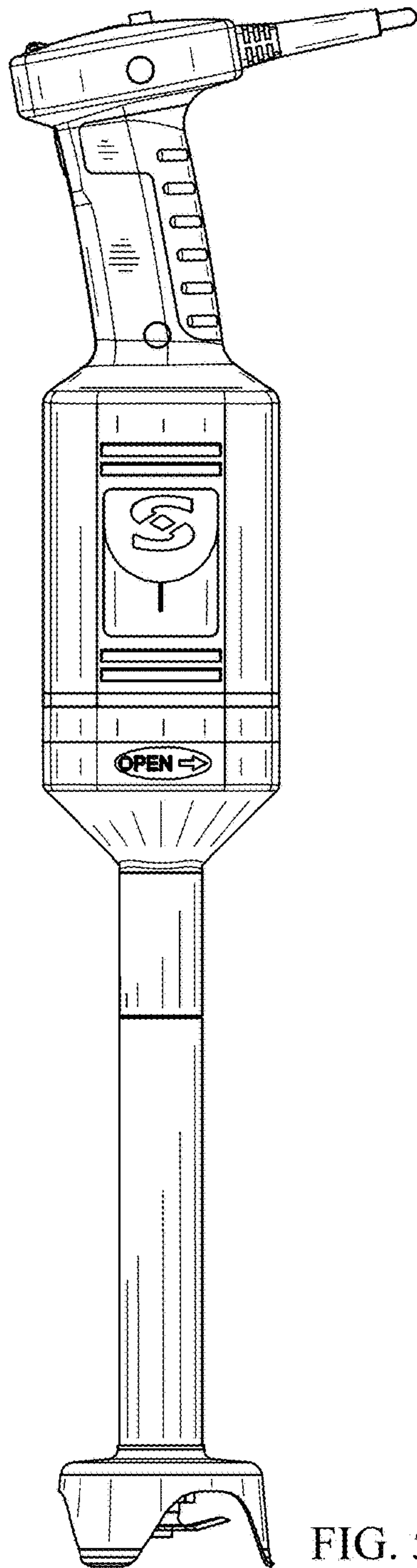


FIG. 5

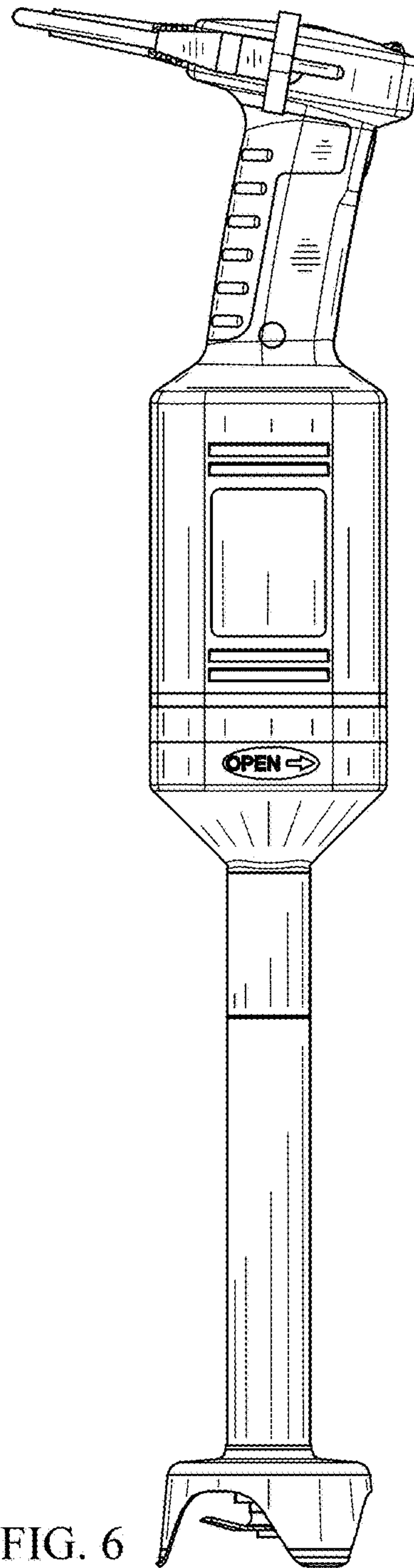
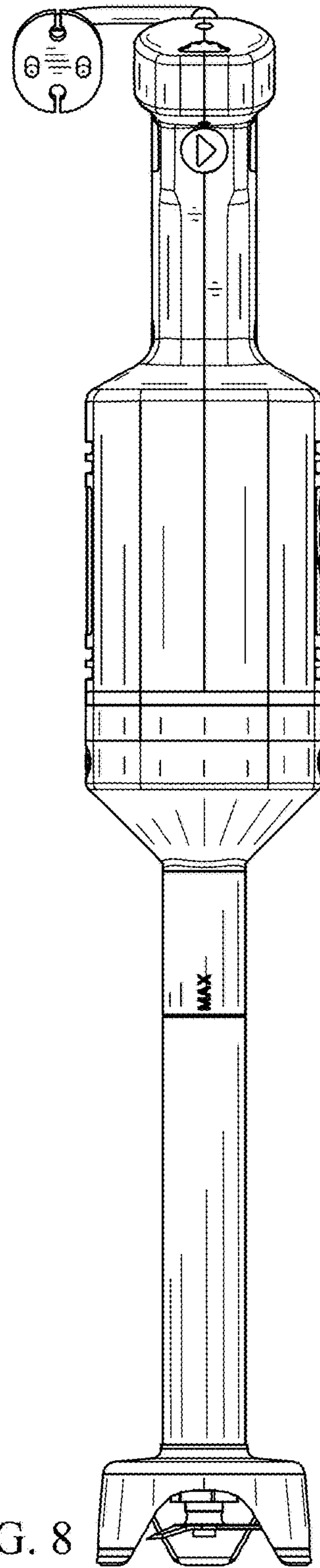
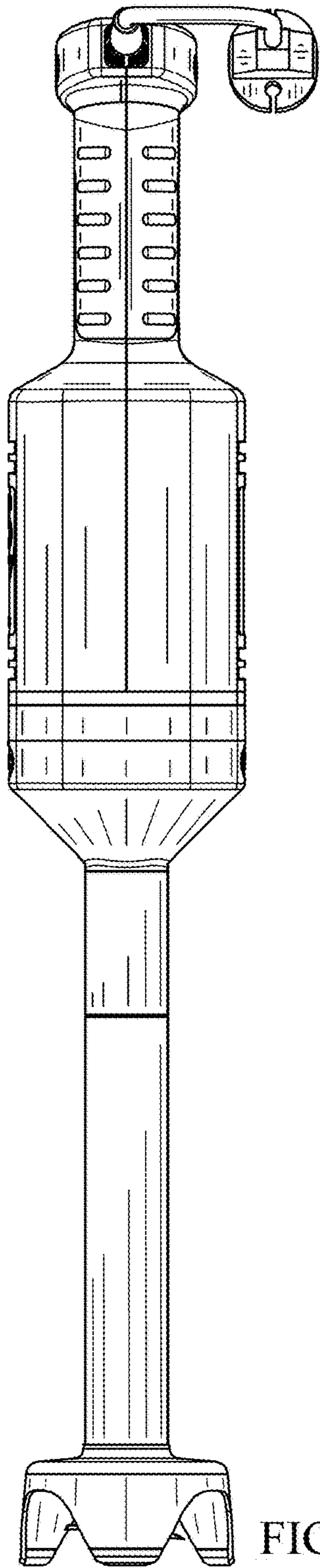


FIG. 6





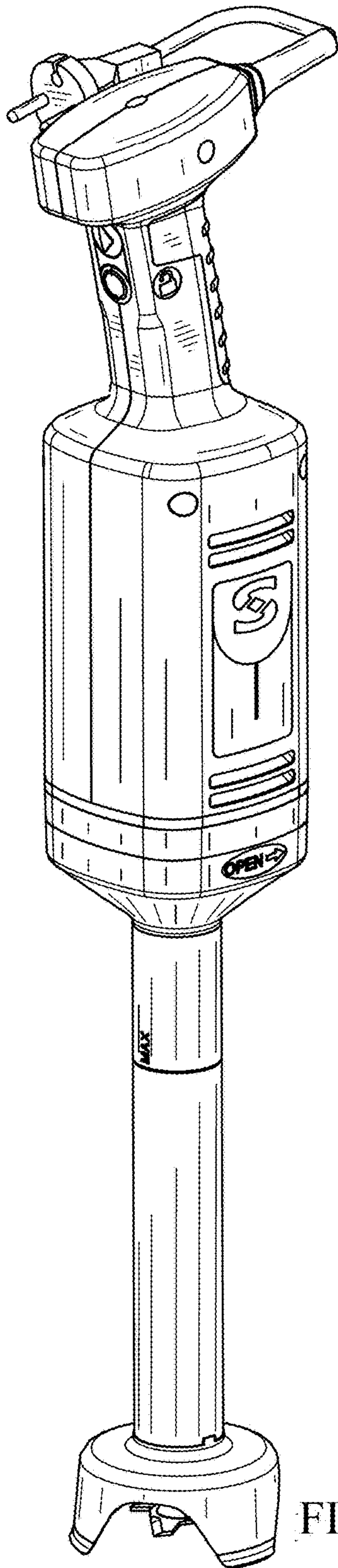


FIG. 9

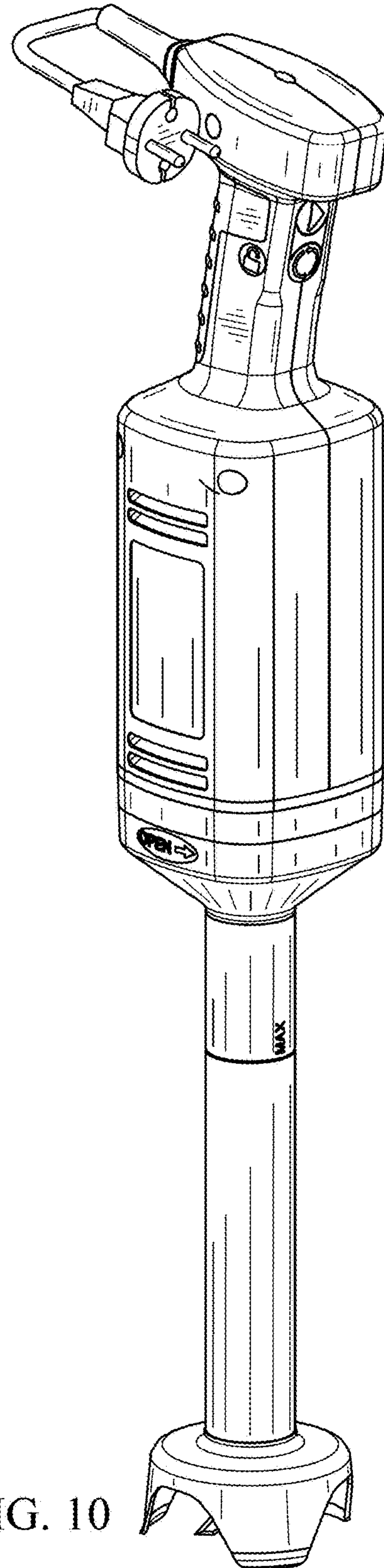


FIG. 10

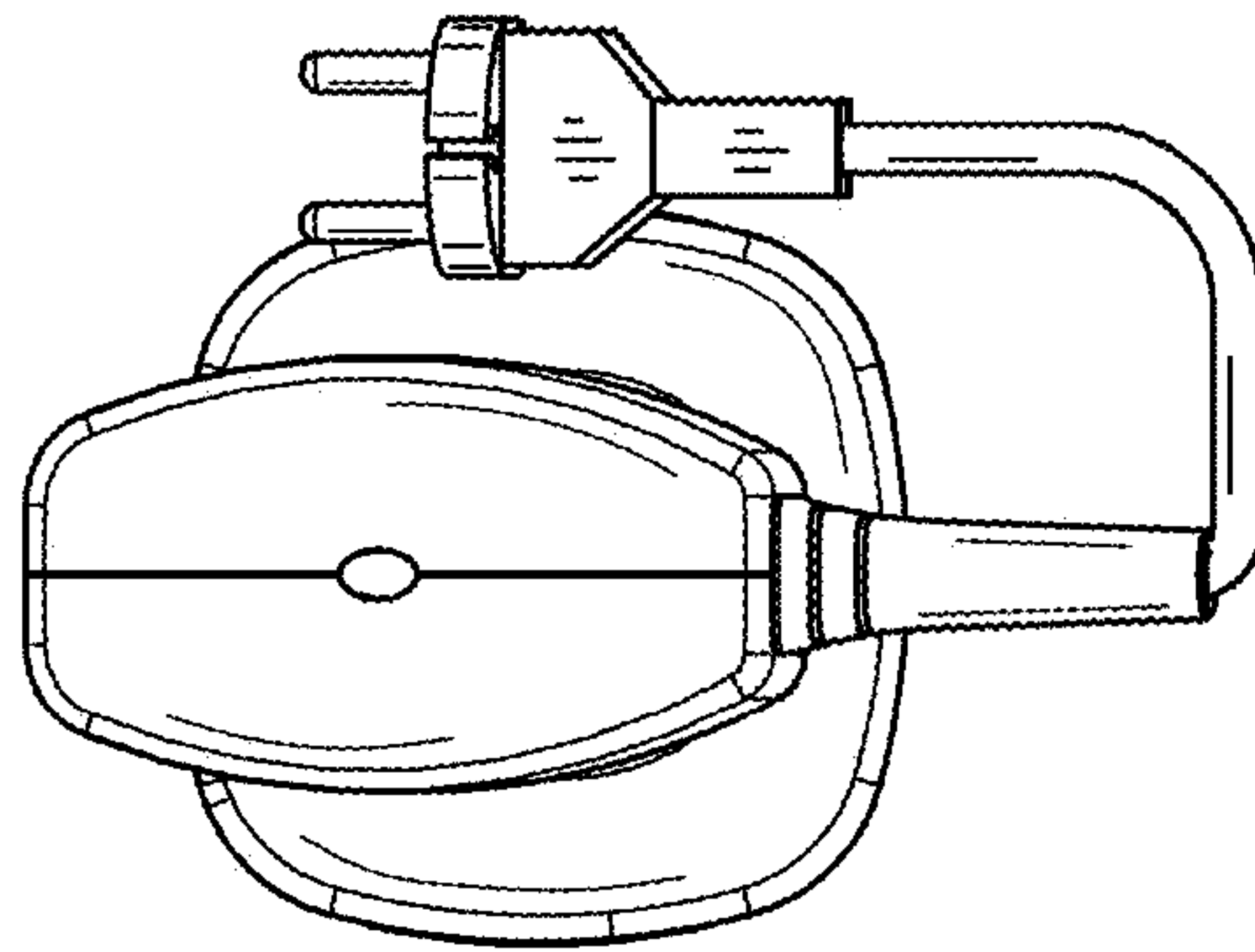


FIG. 11

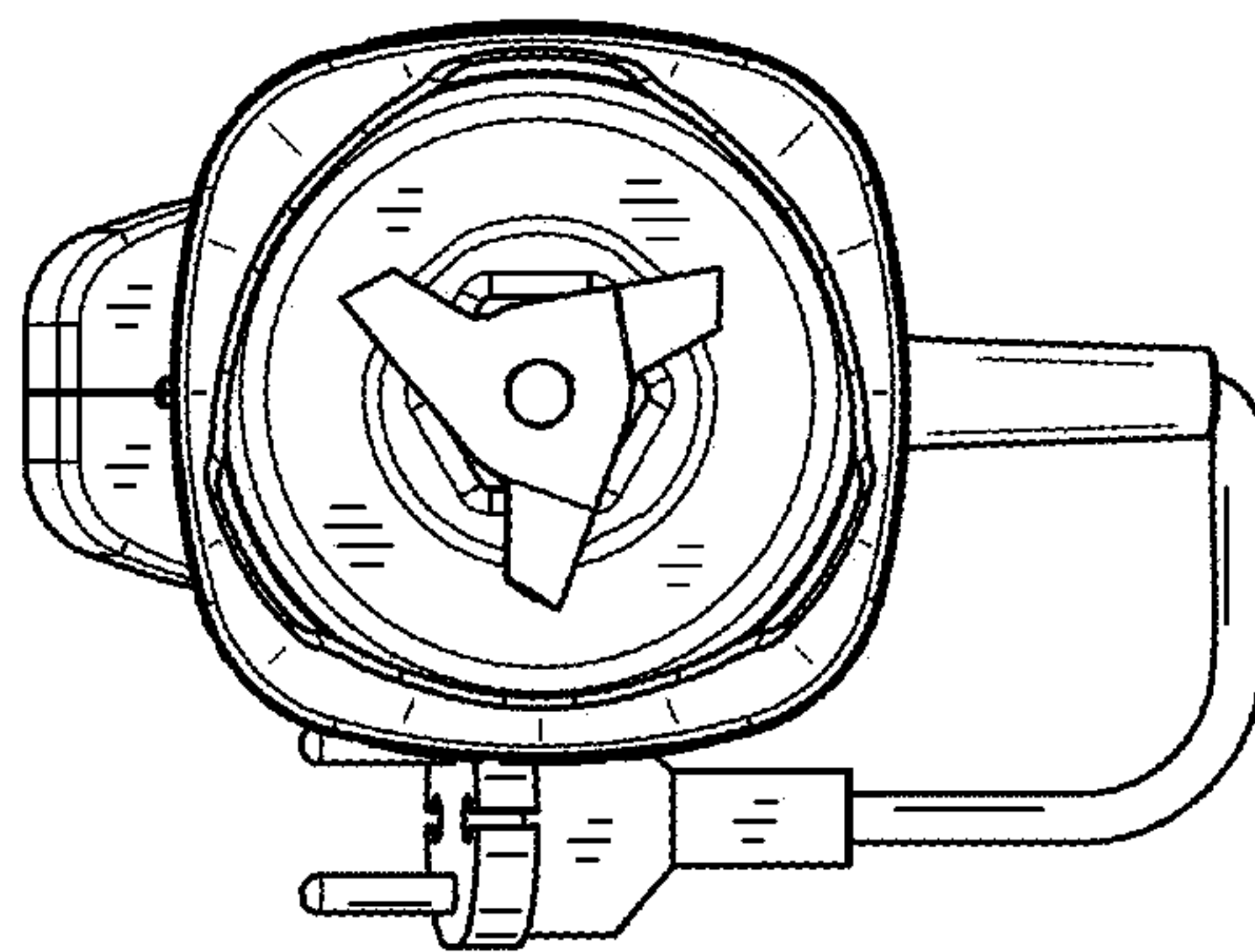


FIG. 12



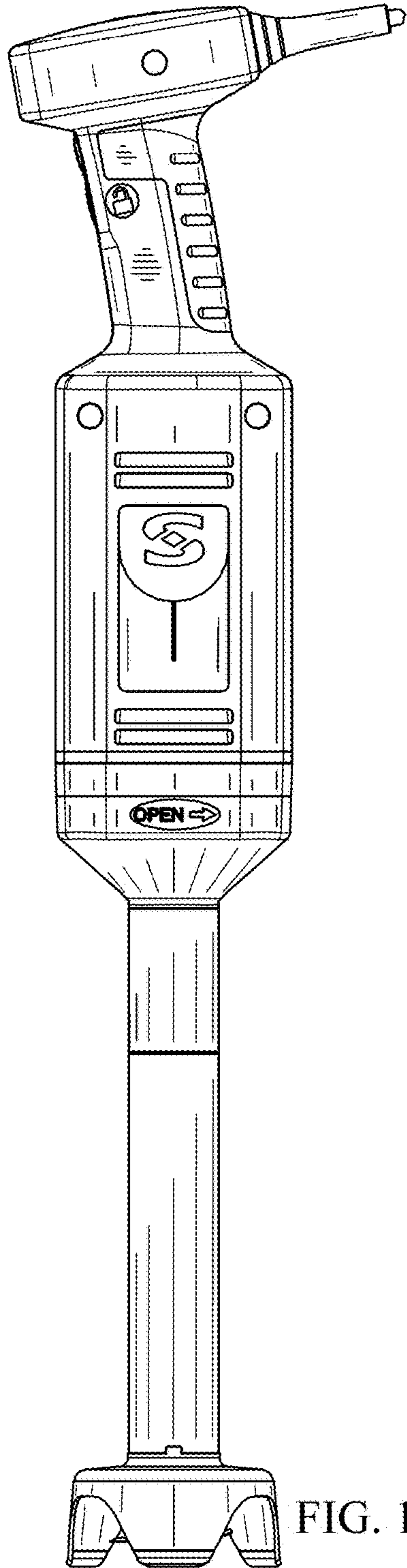


FIG. 13

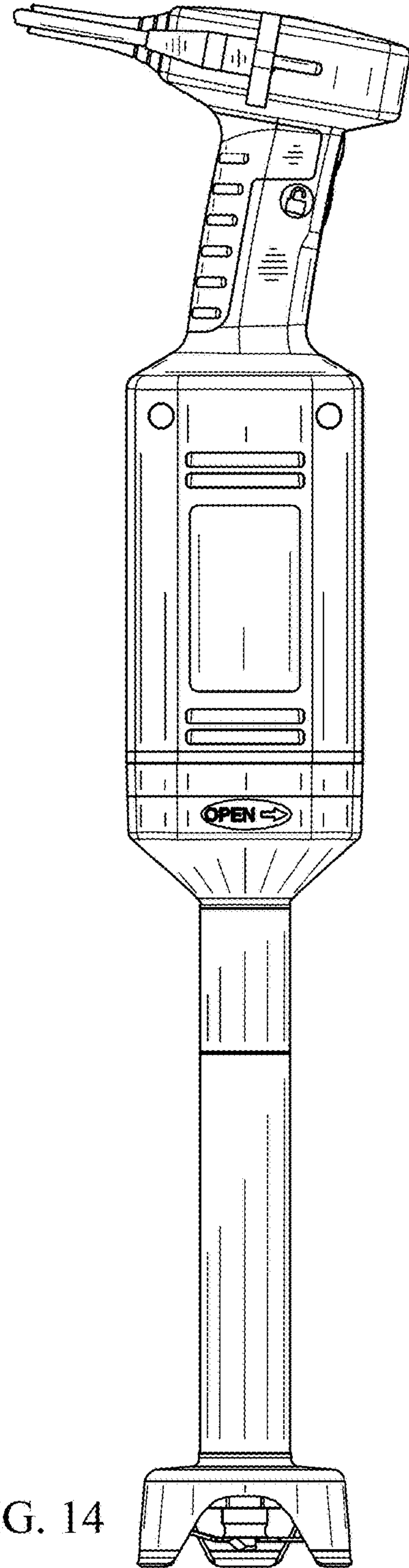


FIG. 14

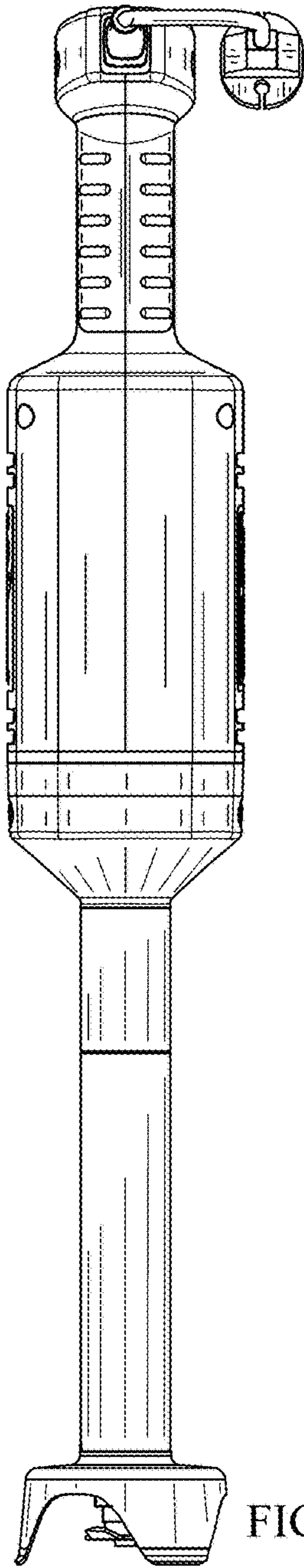


FIG. 15

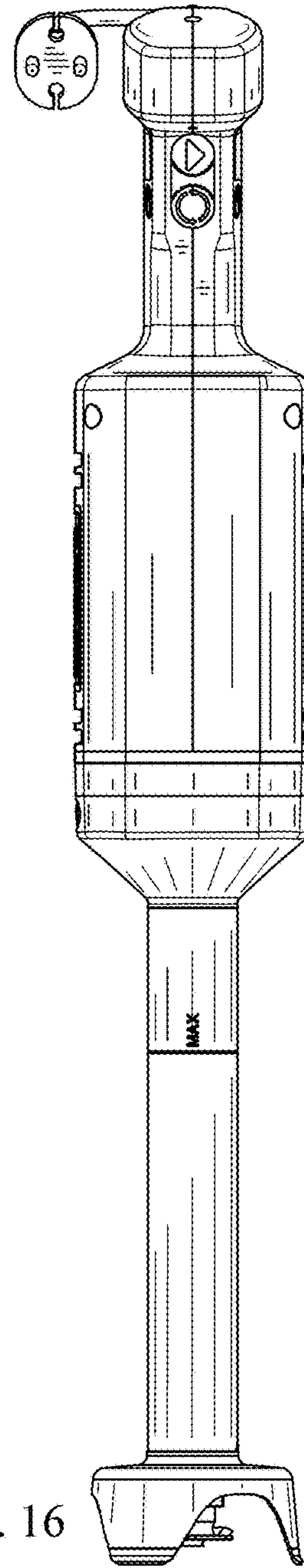


FIG. 16