



US00D803616S

(12) **United States Design Patent** (10) **Patent No.:** **US D803,616 S**  
**Day et al.** (45) **Date of Patent:** **\*\* Nov. 28, 2017**

(54) **FOOD PREPARATION APPLIANCE**

(71) Applicant: **Sunbeam Products, Inc.**, Boca Raton, FL (US)

(72) Inventors: **Adam Day**, Boynton Beach, FL (US); **Daniel Phipps**, Round Rock, TX (US)

(73) Assignee: **Sunbeam Products, Inc.**, Boca Raton, FL (US)

(\*\*) Term: **15 Years**

(21) Appl. No.: **29/558,101**

(22) Filed: **Mar. 15, 2016**

(51) **LOC (10) Cl.** ..... **07-02**

(52) **U.S. Cl.**  
USPC ..... **D7/360**

(58) **Field of Classification Search**  
USPC ..... D7/323, 337, 339-341, 352, 354-358, D7/360, 362-367, 393, 402-403, D7/407-411, 601, 605; D3/276  
CPC ..... A21B 1/06; A21B 1/50; A21B 1/52; A47J 37/04; A47J 37/06; A47J 37/015; A47J 37/067; A47J 37/0611; A47J 37/0629; A47J 37/0676; A47J 37/108; F24C 7/06; F24C 7/083; F24C 15/02; F24C 15/66; H05B 3/20; H05B 3/40

See application file for complete search history.

(56) **References Cited**

**U.S. PATENT DOCUMENTS**

D329,570	S	*	9/1992	Gerlach	.....	D7/354
D420,246	S	*	2/2000	Alonge	.....	D7/360
D425,360	S	*	5/2000	Dobson	.....	D7/360
D433,869	S	*	11/2000	Wong	.....	D7/360
D434,940	S	*	12/2000	Hlava	.....	D7/354
D556,504	S	*	12/2007	Averty	.....	D7/360
D568,676	S	*	5/2008	Steiner	.....	D7/354
D635,818	S	*	4/2011	Tse	.....	D7/354

D641,202	S	*	7/2011	Bock	.....	D7/354
D682,009	S	*	5/2013	Day	.....	D7/354
D701,416	S	*	3/2014	Day	.....	D7/354
D730,107	S	*	5/2015	MacInnis	.....	D7/354

**OTHER PUBLICATIONS**

New! Crock-Pot® Single Hand Cook & Carry® 6-Quart Oval Slow Cooker, posted at Crock-pot.com, posted on © 2017, site visited Feb. 24, 2017, <<http://www.crock-pot.com/slow-cookers/portable-slow-cookers/new-crock-pot-single-hand-cook-and-carry-6-quart-oval-slow-cooker/SCCPVS600ECP-S.html#start=2>>.\*  
Crockpot SCCPVS600ECP-S Cook and Carry Cooker with Digital Control, 6 quart, Silver, posted at Amazon.com, posted on Jul. 8, 2015, site visited Feb. 24, 2017, <<https://www.amazon.com/Crockpot-SCCPVS600ECP-S-Cooker-Digital-Control/dp/B011L1VOTM?th=1>>.\*

(Continued)

*Primary Examiner* — Barbara Fox  
*Assistant Examiner* — Messina L Smith  
(74) *Attorney, Agent, or Firm* — Seth Blum

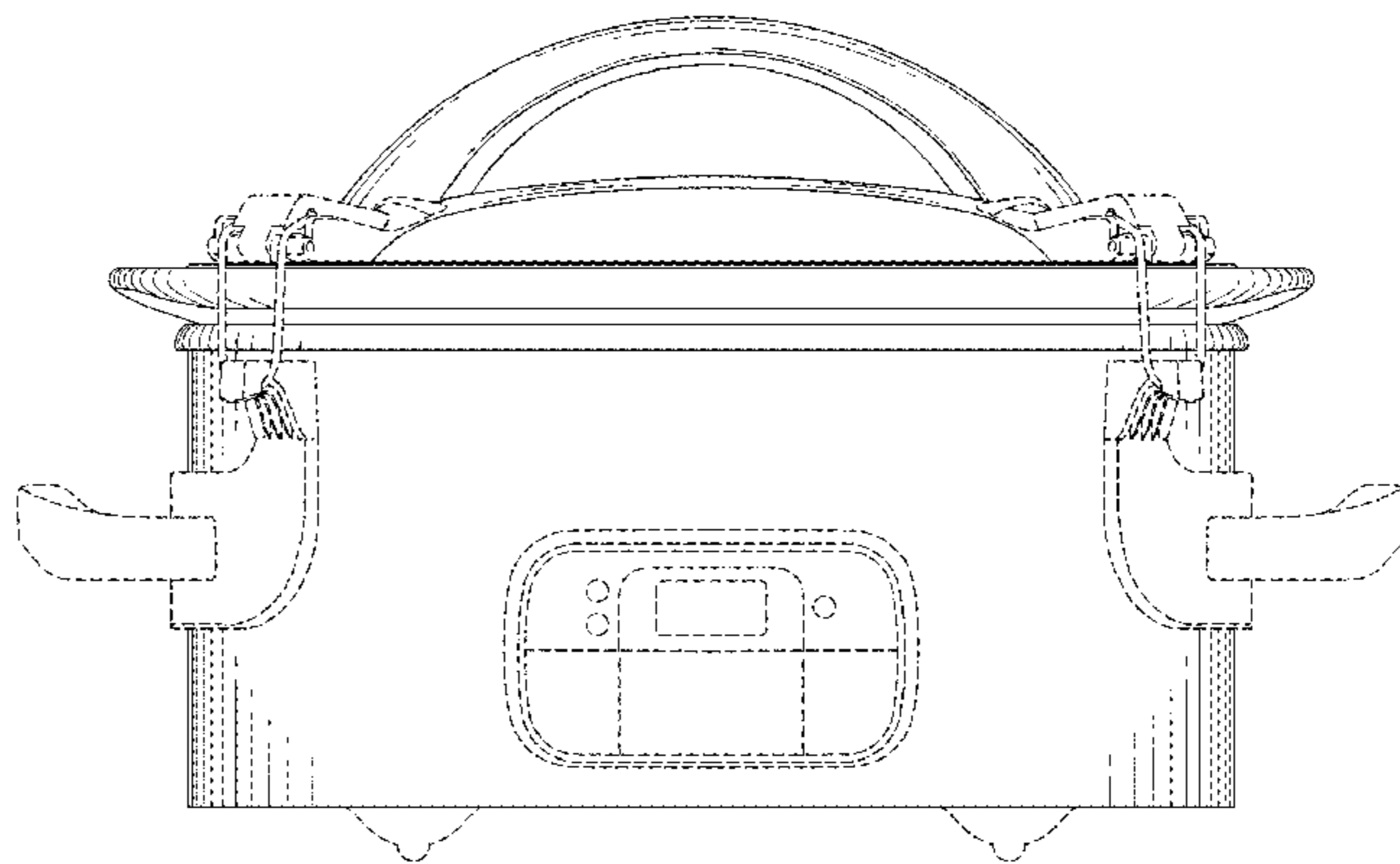
(57) **CLAIM**

The ornamental design for a food preparation appliance, as shown and described.

**DESCRIPTION**

FIG. 1 is a front perspective view of a food preparation appliance showing our new design;  
FIG. 2 is a front view thereof;  
FIG. 3 is a rear view thereof;  
FIG. 4 is a left side view thereof;  
FIG. 5 is a right side view thereof; and,  
FIG. 6 is a top plan view thereof.  
The broken lines in the drawings illustrate portions of the food preparation appliance that form no part of the claimed design.

**1 Claim, 3 Drawing Sheets**



(56)

**References Cited**

OTHER PUBLICATIONS

Crock-Pot® Single Hand Cook & Carry® 6 Qt.Oval Slow Cooker, posted at Target.com, posted on © 2017, site visited Feb. 24, 2017, <<http://www.target.com/p/crock-pot-single-hand-cook-carry-6-quart-oval-slow-cooker-sccpvz600ec-s/-/A-49112044>>.\*

Crock-Pot® Single Hand Cook & Carry® 6 Qt.Oval Slow Cooker, posted at Ebay.com, posted on Nov. 7, 2016, site visited Feb. 24, 2017, <<http://www.ebay.com/itm/Crock-Pot-Single-Hand-Cook-amp-Carry-6-Qt-Oval-Slow-Cooker-SCCPVZ-/272246633973>>.\*

\* cited by examiner

FIG. 1

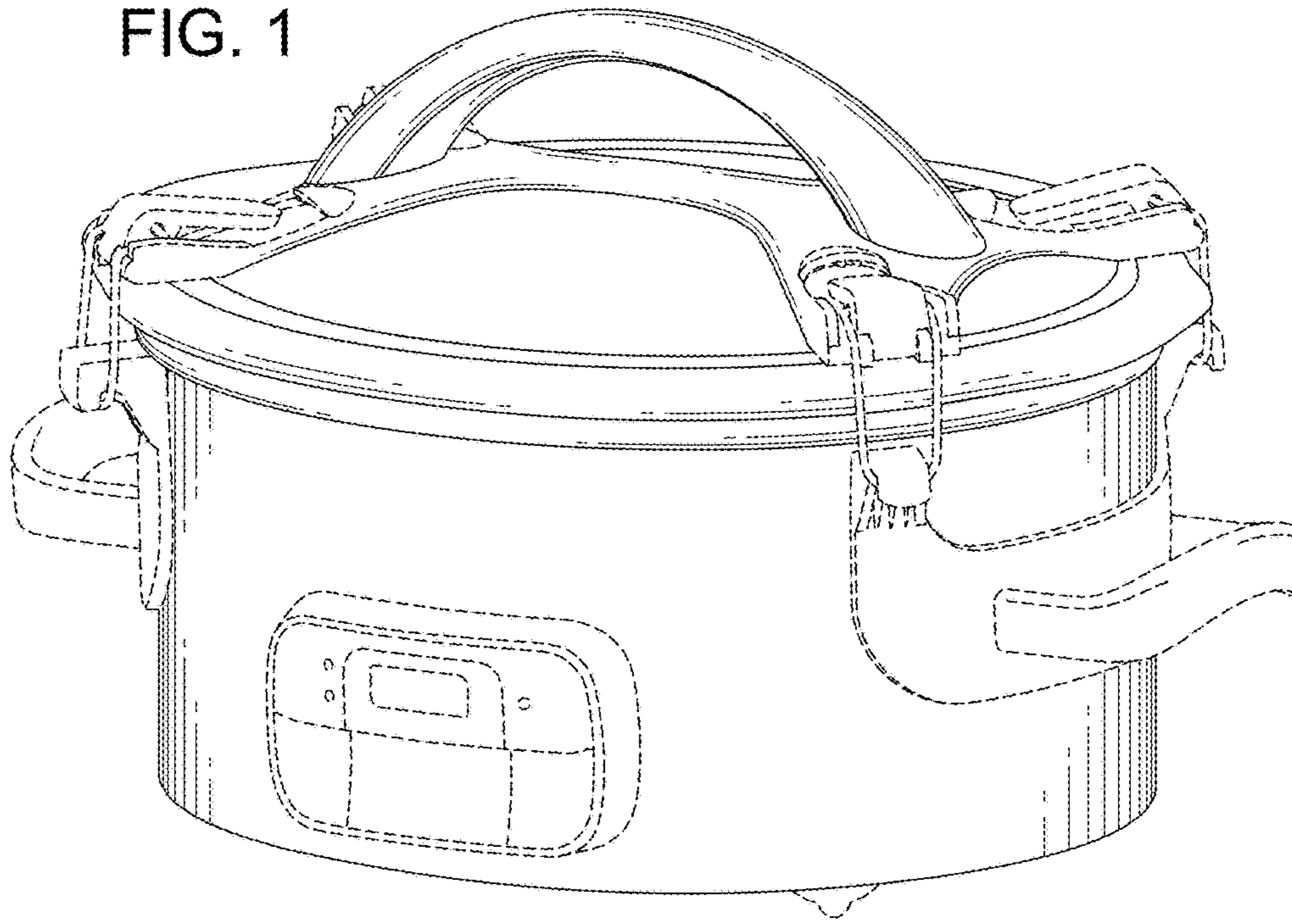


FIG. 6

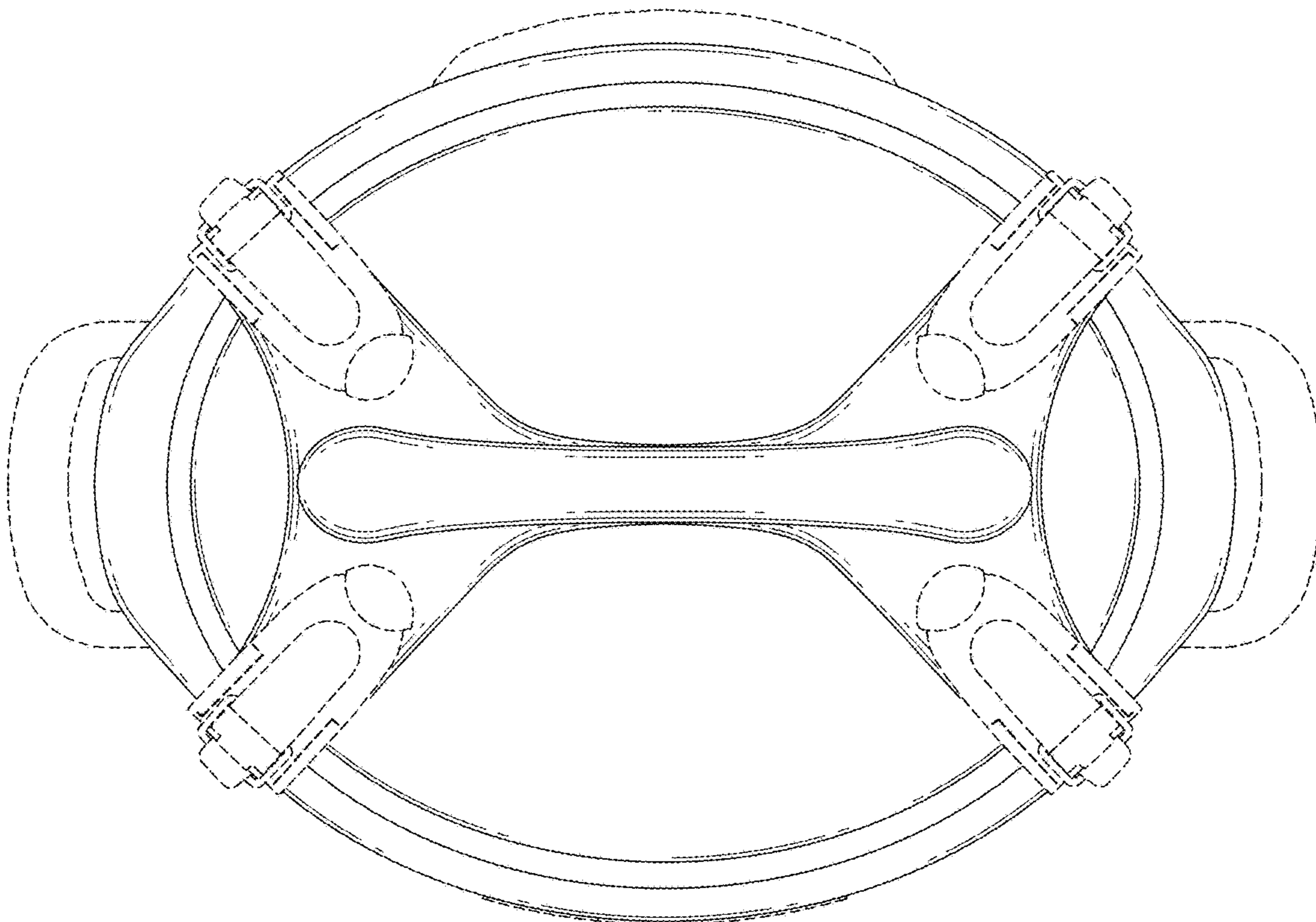


FIG. 2

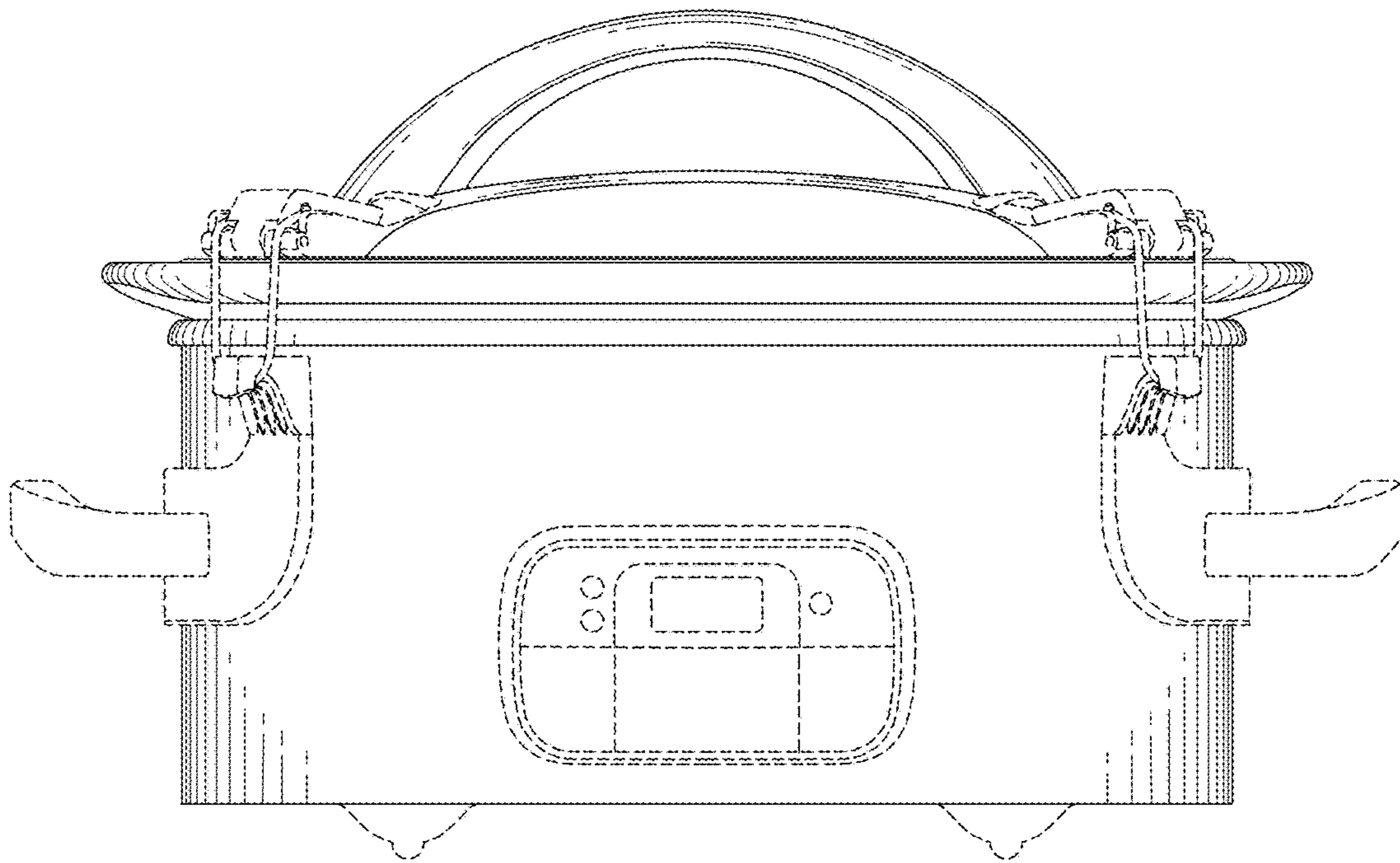


FIG. 3

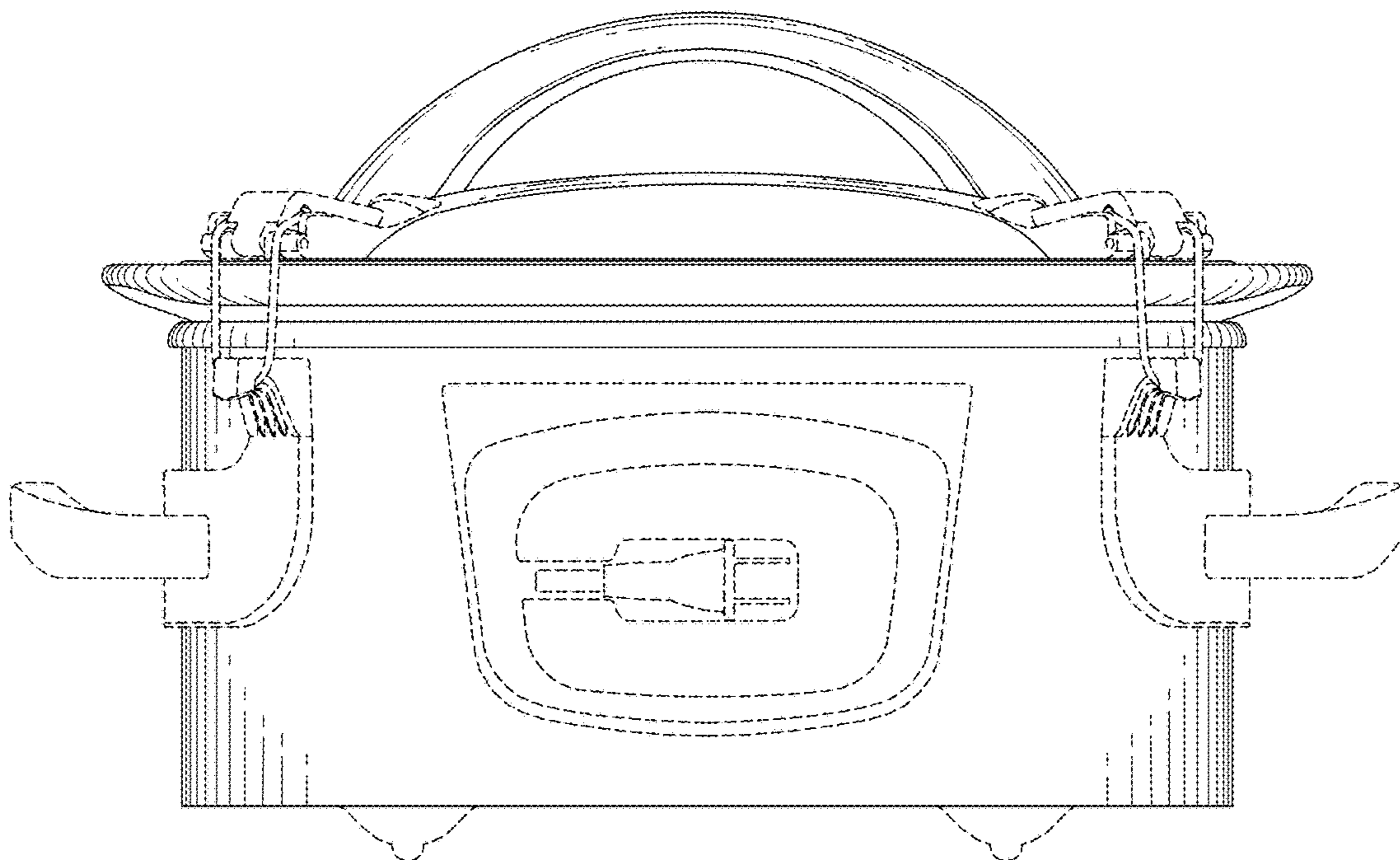


FIG. 4

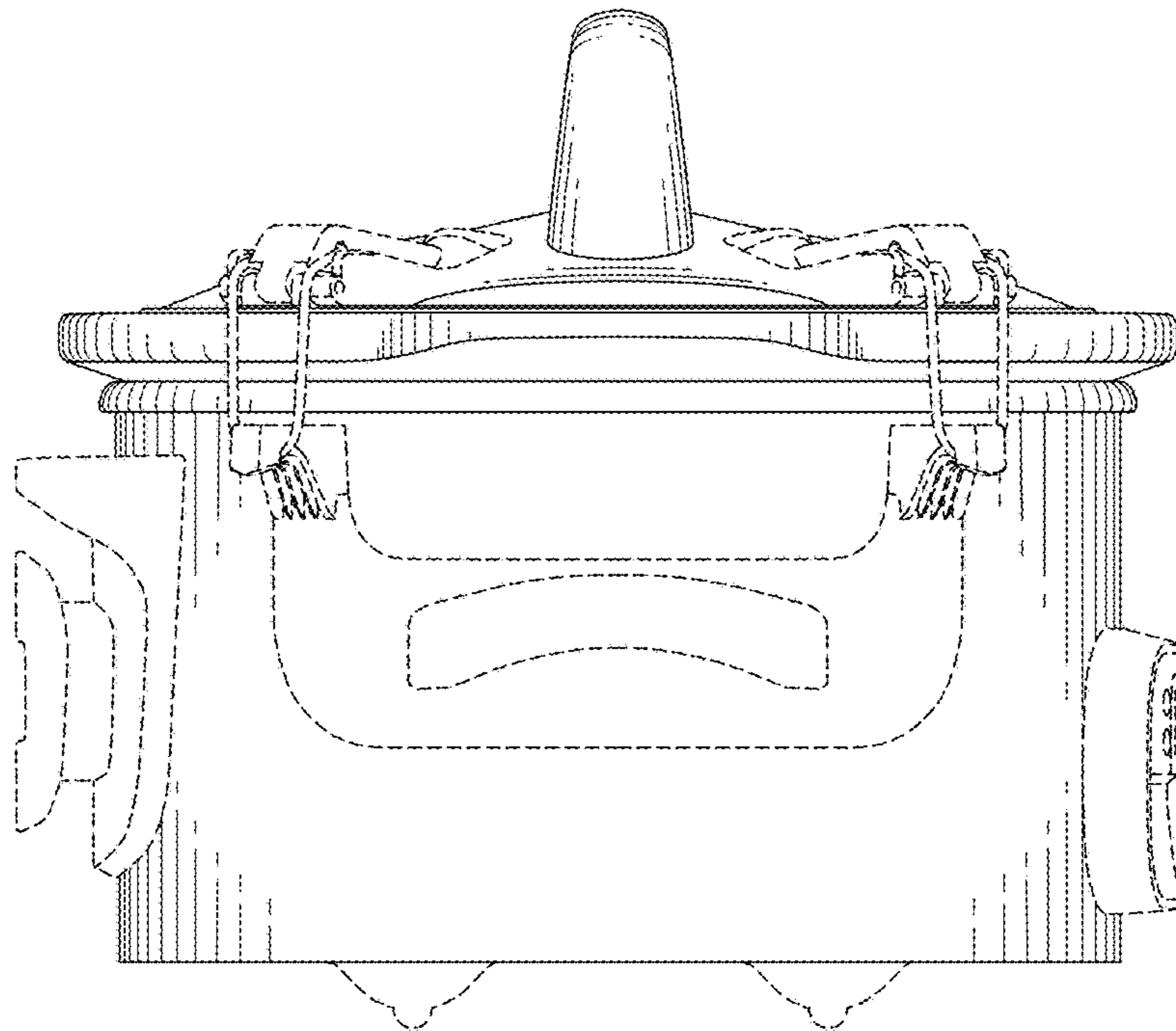


FIG. 5

