



US00D803615S

(12) **United States Design Patent** (10) **Patent No.:** **US D803,615 S**
Zhang et al. (45) **Date of Patent:** **** Nov. 28, 2017**

(54) **FRYER**

37/1295; G07F 17/0064; G07F 17/0078;
G07F 17/0085; H05B 6/02; H05B 6/06;
H05B 6/12

(71) Applicant: **KONINKLIJKE PHILIPS N.V.**,
Eindhoven (NL)

See application file for complete search history.

(72) Inventors: **Mingshuo Zhang**, Eindhoven (NL);
Andreas Kowalewski, Eindhoven (NL)

(56) **References Cited**

(73) Assignee: **KONINKLIJKE PHILIPS N.V.**,
Eindhoven (NL)

U.S. PATENT DOCUMENTS

(**) Term: **15 Years**

D360,804 S *	8/1995	Hamada	D7/323
D436,795 S *	1/2001	Martres	D7/354
D532,248 S *	11/2006	Allende Fritsch	D7/354
D557,552 S *	12/2007	Matras	D7/354
D611,757 S *	3/2010	Reiner	D7/354
D620,743 S *	8/2010	Hsiao	D7/354
D692,718 S *	11/2013	Verbrugge	D7/354
D719,397 S *	12/2014	Krooshof	D7/354
D738,671 S *	9/2015	Ha	D7/323
D750,418 S *	3/2016	Allende Fritsch	D7/354
D750,419 S *	3/2016	Hu	D7/354
D770,843 S *	11/2016	Chung	D7/354
D787,258 S *	5/2017	Chung	D7/354

(21) Appl. No.: **29/597,738**

(22) Filed: **Mar. 20, 2017**

Related U.S. Application Data

(63) Continuation of application No. 35/501,199, filed on
Jan. 11, 2016 (U.S. filing date under 35 U.S.C. 384),
and having an international filing date of Jan. 11,
2016.

* cited by examiner

Primary Examiner — Ricky Pham

(51) **LOC (10) Cl.** **07-02**

(57) **CLAIM**

The ornamental design for a fryer, as shown and described.

(52) **U.S. Cl.**
USPC **D7/354**

DESCRIPTION

(58) **Field of Classification Search**
USPC D7/323, 354-361
CPC A23L 1/01; A23L 1/0107; A23L 1/0114;
A47J 27/00; A47J 27/08; A47J 27/09;
A47J 27/092; A47J 36/025; A47J 36/06;
A47J 36/08; A47J 36/10; A47J 36/12;
A47J 36/165; A47J 36/18; A47J 36/20;
A47J 36/22; A47J 37/00; A47J 37/12;
A47J 37/1204; A47J 37/1209; A47J
37/1214; A47J 37/1219; A47J 37/1266;
A47J 37/1285; A47J 37/129; A47J

FIG. 1 is a perspective view of a fryer showing our new
design;

FIG. 2 is a front elevational view thereof;

FIG. 3 is a rear elevational view thereof;

FIG. 4 is a right side elevational view thereof;

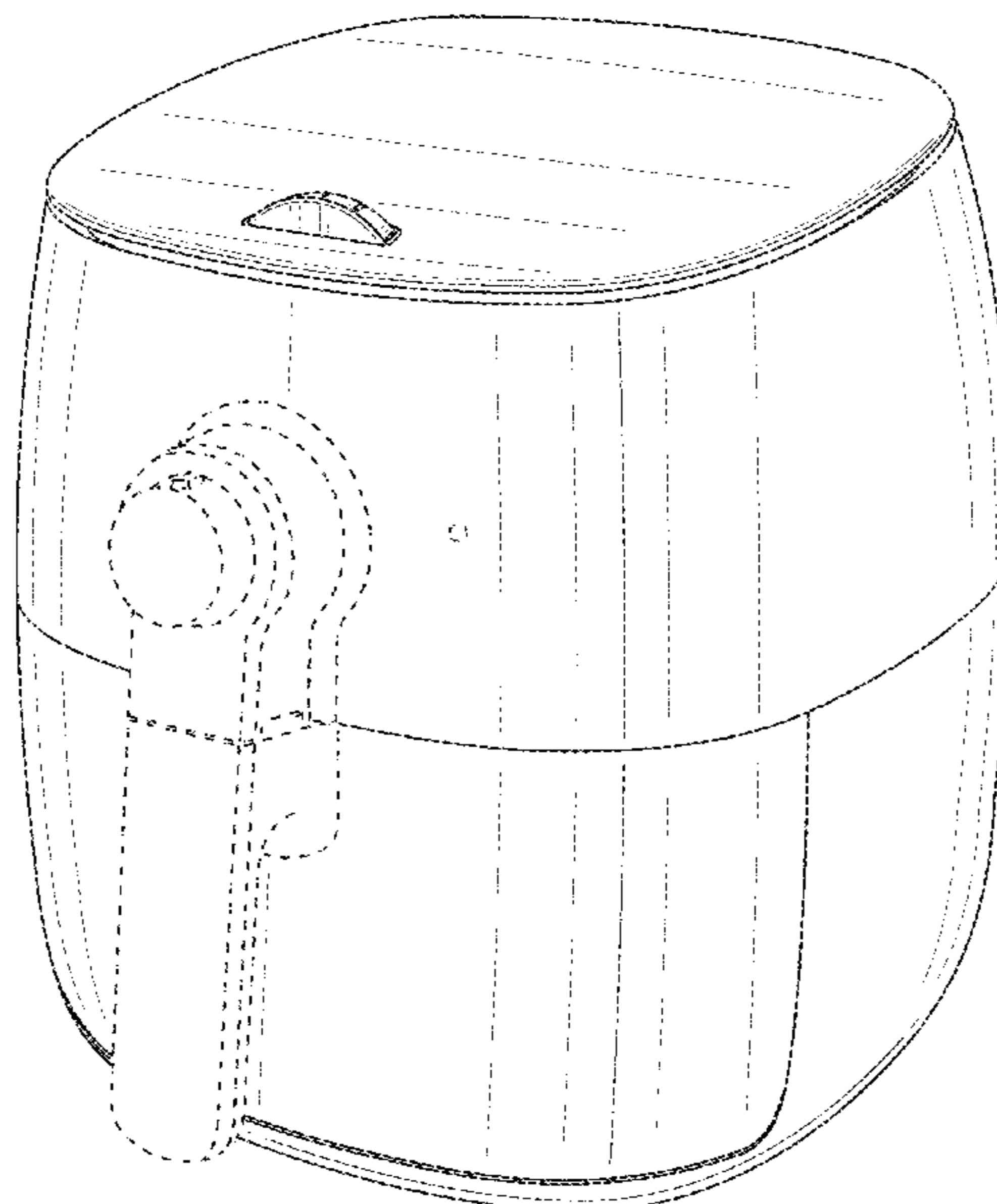
FIG. 5 is a left side elevational view thereof;

FIG. 6 is a top plan view thereof; and,

FIG. 7 is a bottom plan view thereof.

The broken lines shown in the drawings are for illustrative
purposes only and form no part of the claimed design.

1 Claim, 7 Drawing Sheets



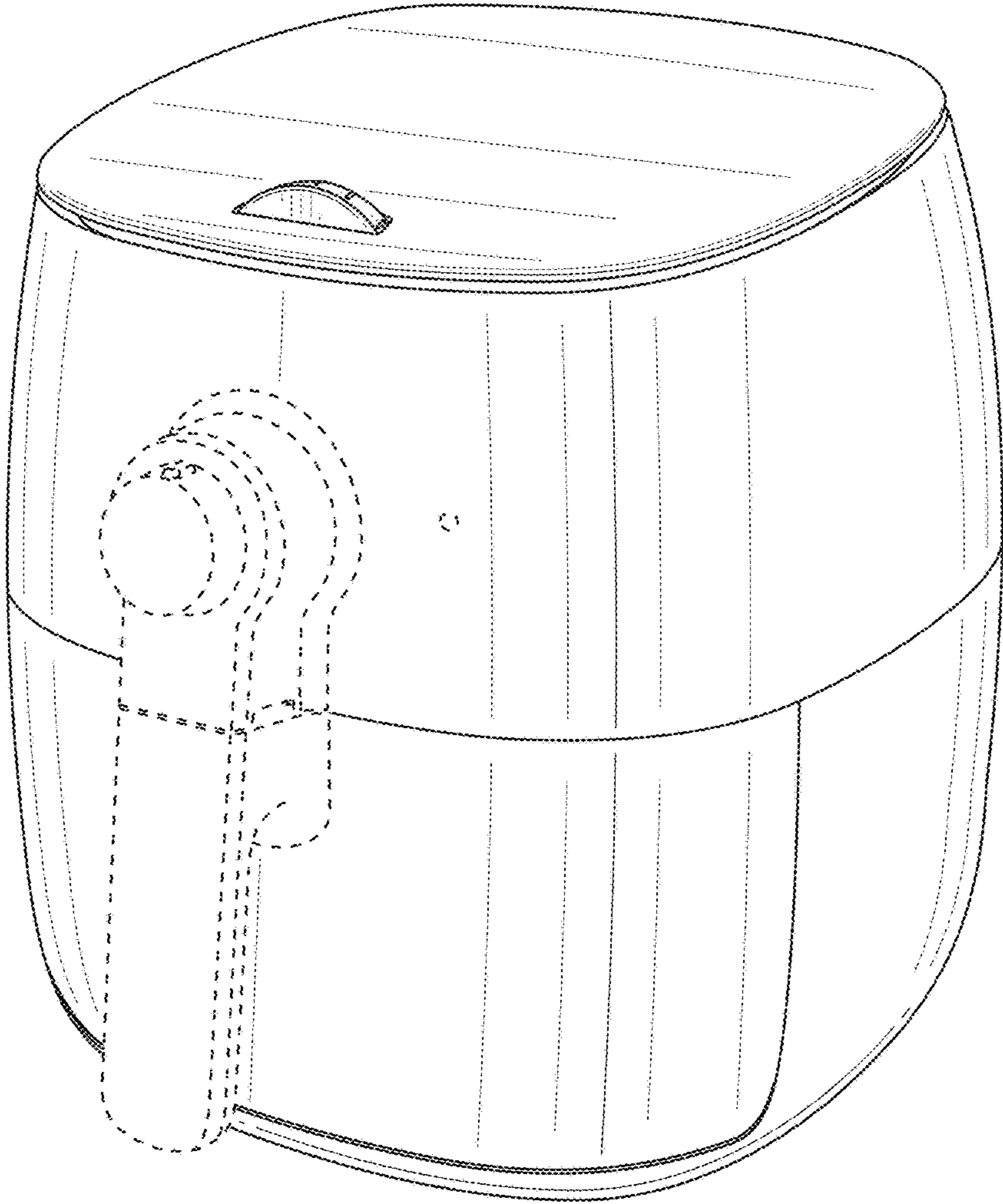


FIG. 1

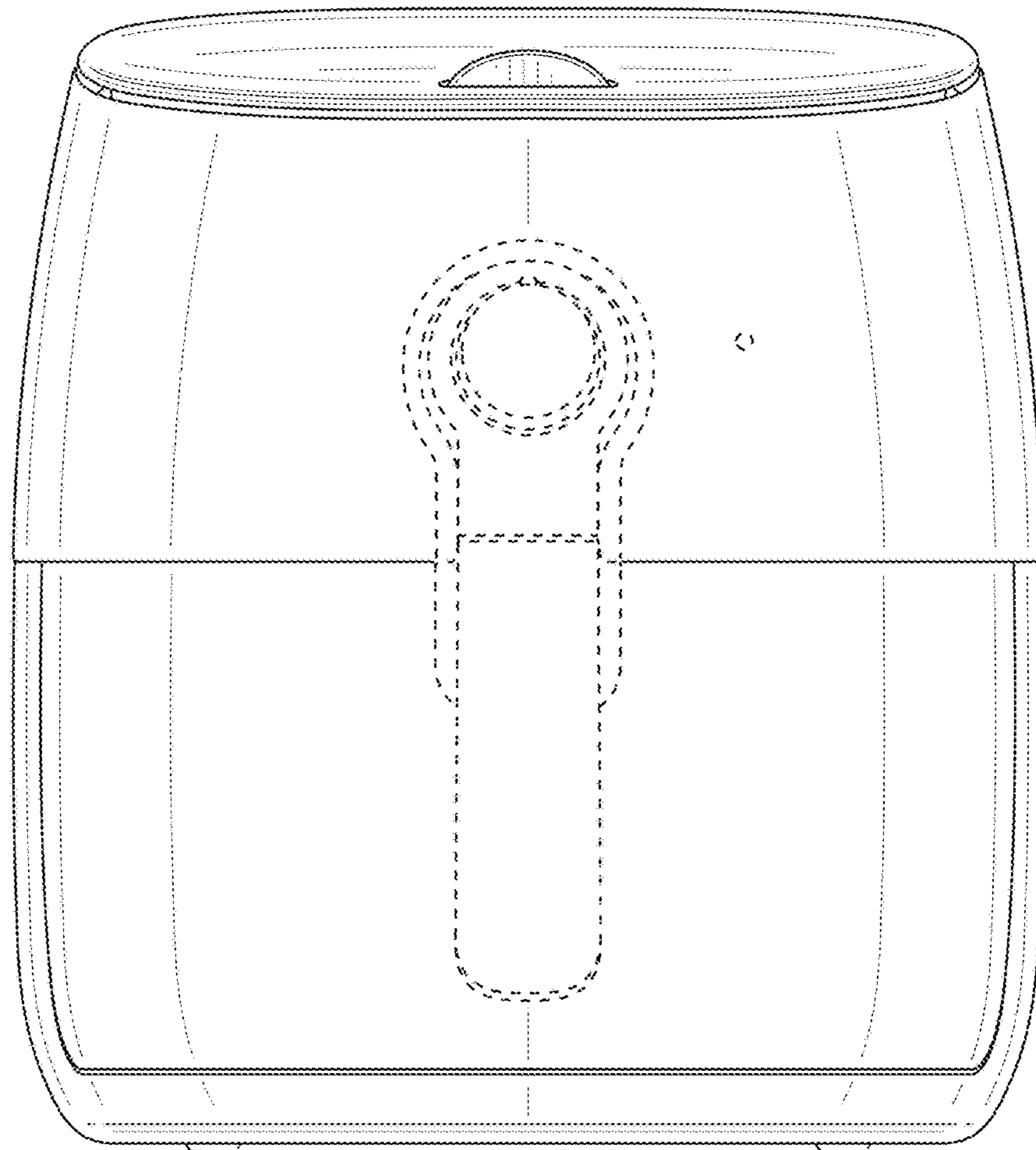


FIG. 2

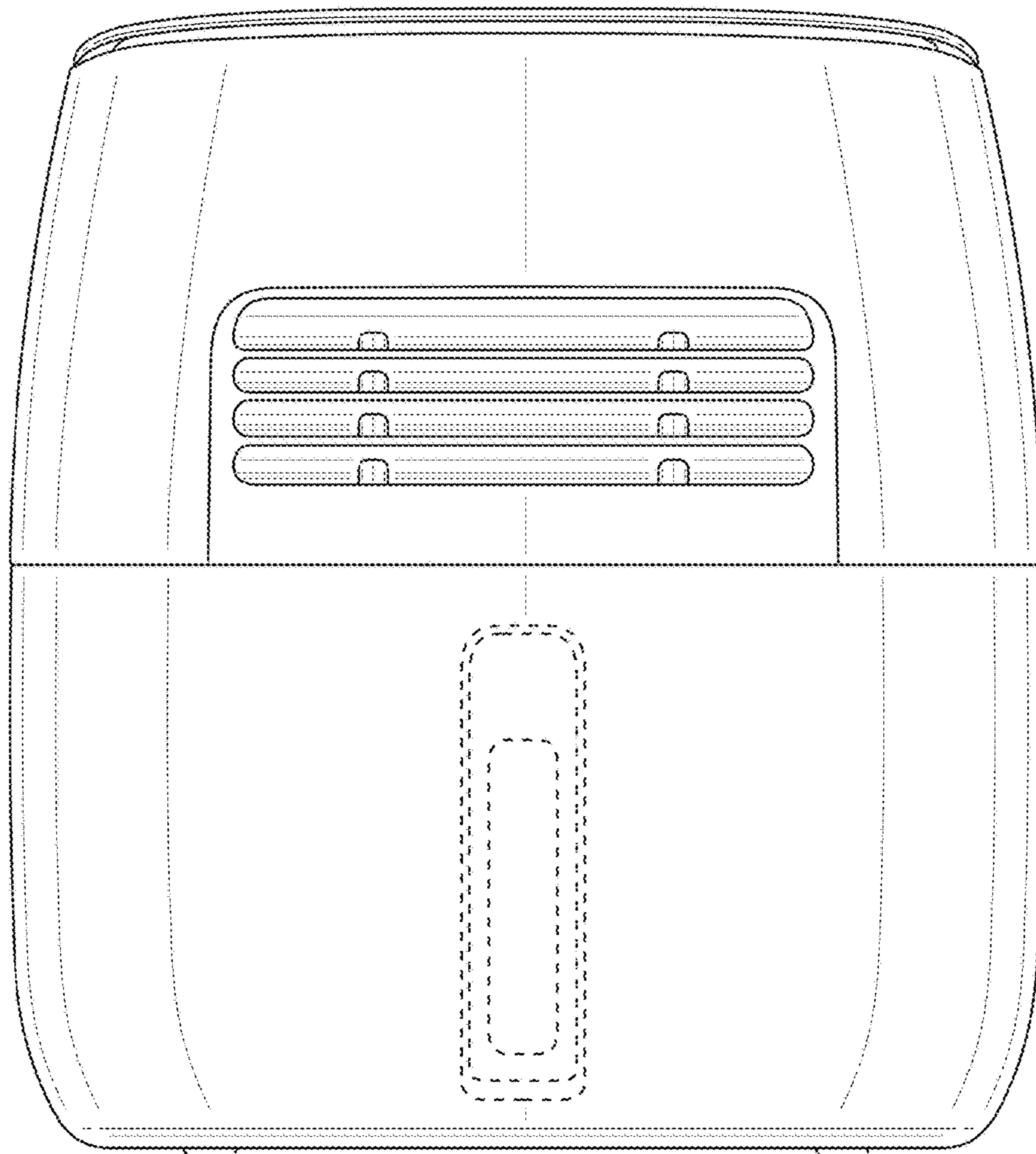


FIG. 3

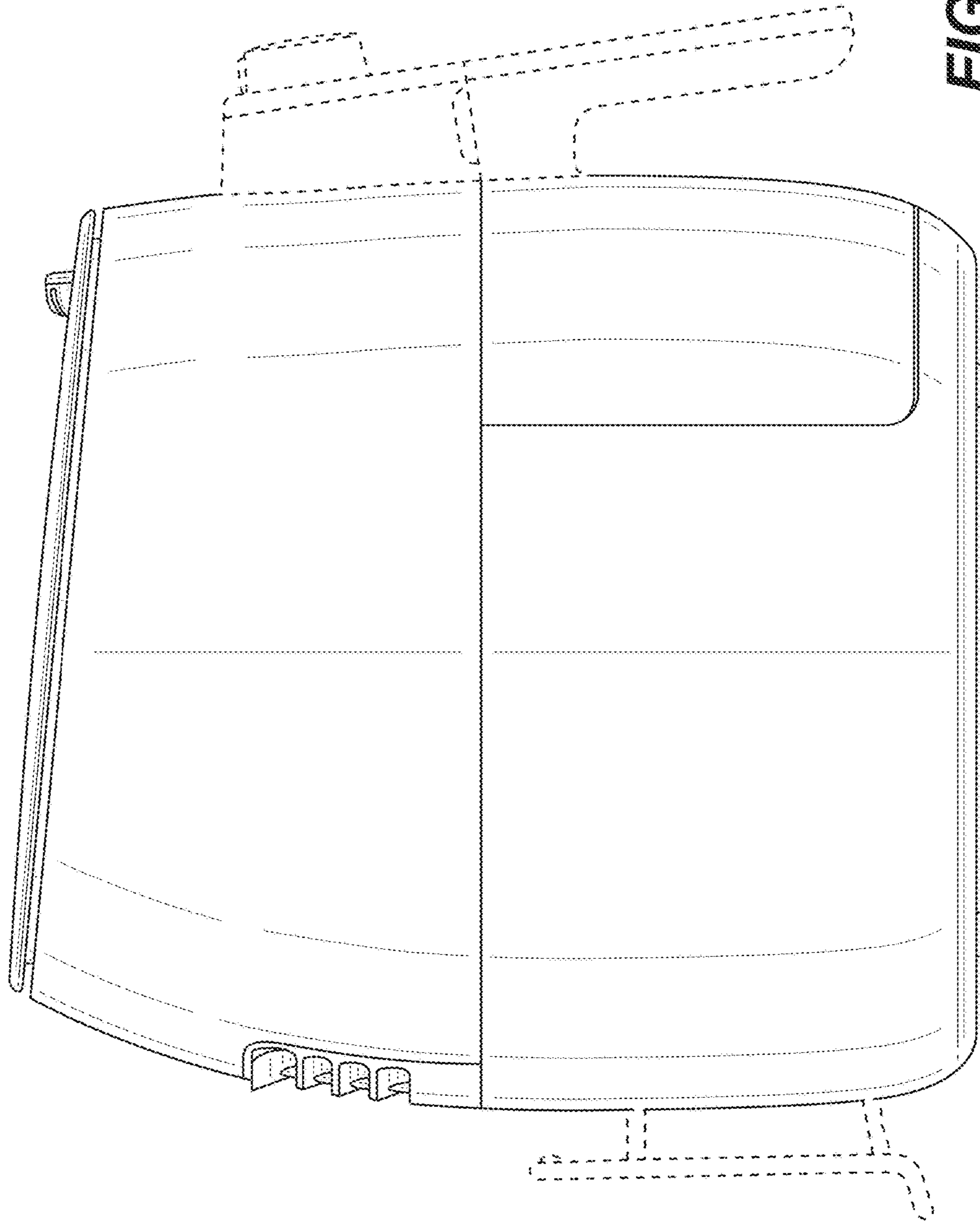


FIG. 4

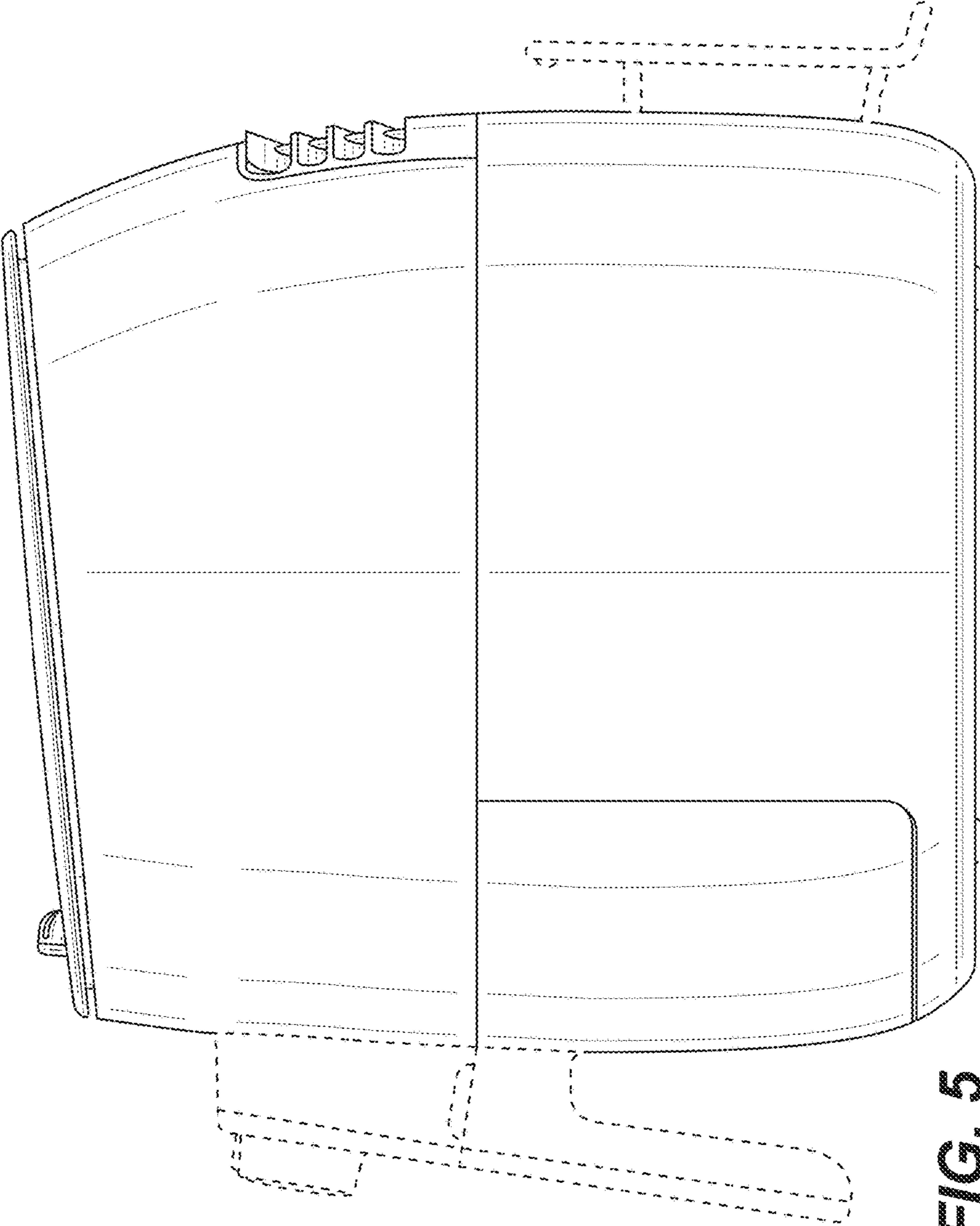


FIG. 5

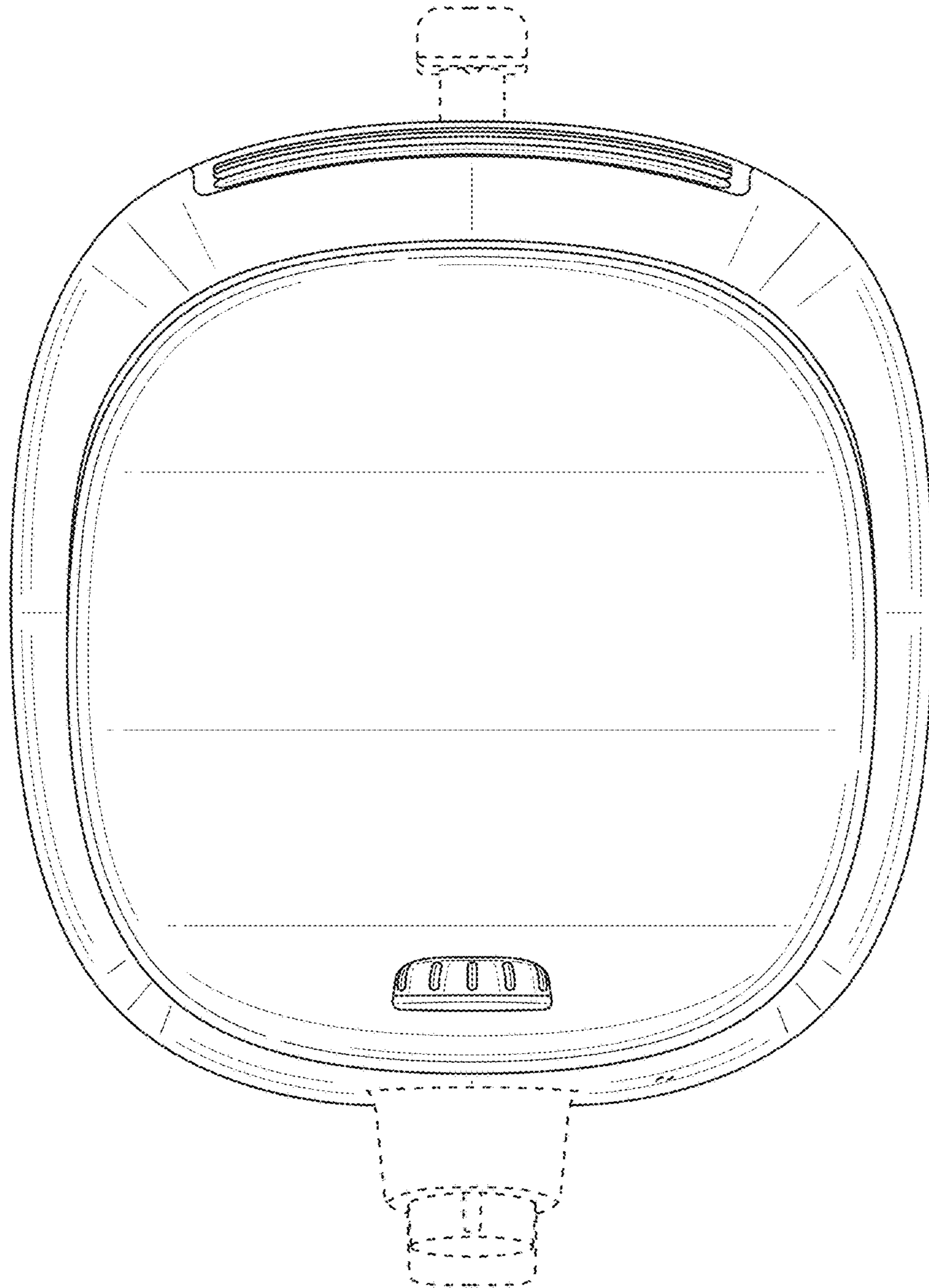


FIG. 6

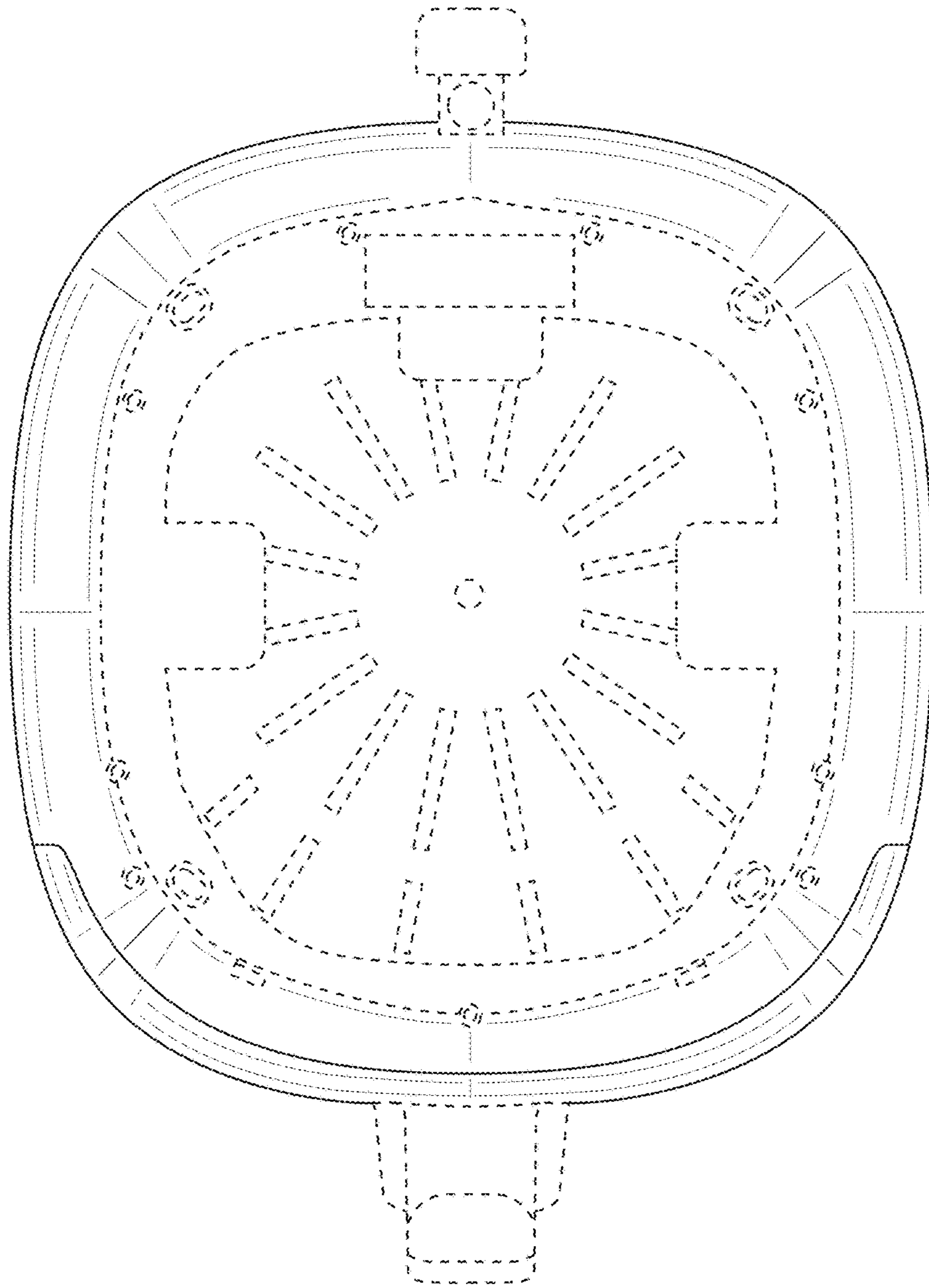


FIG. 7