



US00D803614S

(12) **United States Design Patent**
Choi et al.

(10) **Patent No.:** **US D803,614 S**

(45) **Date of Patent:** **** Nov. 28, 2017**

(54) **ELECTRIC RICE COOKER AND WARMER**

(71) Applicant: **Dayou Winia Co., Ltd.**, Asani-si (KR)

(72) Inventors: **Hun Jung Choi**, Goyang-si (KR);
Young Joon Choi, Goyang-si (KR); **Ho Gyu Lee**, Seoul (KR)

(73) Assignee: **Dayou Winia Co., Ltd.** (KR)

(**) Term: **15 Years**

(21) Appl. No.: **29/571,969**

(22) Filed: **Jul. 22, 2016**

(30) **Foreign Application Priority Data**

Apr. 8, 2016 (KR) 30-2016-0016598

(51) **LOC (10) Cl.** **07-02**

(52) **U.S. Cl.**
USPC **D7/354**

(58) **Field of Classification Search**

USPC D7/323, 354-361
CPC .. A47J 27/00; A47J 27/04; A47J 27/05; A47J
27/08; A47J 27/09; A47J 27/092; A47J
36/025; A47J 36/06; A47J 36/08; A47J
36/10; A47J 36/12; A47J 37/12; A47J
37/1204; A47J 37/1209; H05B 6/02;
H05B 6/06; H05B 6/12

See application file for complete search history.

(56) **References Cited**

U.S. PATENT DOCUMENTS

D347,353 S * 5/1994 Piret D7/354
D489,223 S * 5/2004 Jung D7/354

D498,115 S * 11/2004 Shin D7/354
D505,293 S * 5/2005 Jung D7/354
D604,092 S * 11/2009 Kotani D7/354
D632,128 S * 2/2011 Lam D7/354
D641,586 S * 7/2011 Martin D7/354
D698,593 S * 2/2014 Ishikawa D7/354
D698,594 S * 2/2014 Ishikawa D7/354
D704,500 S * 5/2014 Kim D7/354
D715,088 S * 10/2014 Kim D7/354

* cited by examiner

Primary Examiner — Ricky Pham

(74) *Attorney, Agent, or Firm* — Thomas J. Engellenner;
Reza Mollaaghababa; Pepper Hamilton LLP

(57) **CLAIM**

The ornamental design for an electric rice cooker and warmer, as shown and described.

DESCRIPTION

FIG. 1 is a perspective view of an electric rice cooker and warmer according to the invention.

FIG. 2 is a front view of the electric rice cooker and warmer shown in FIG. 1.

FIG. 3 is a rear view of the electric rice cooker and warmer shown in FIG. 1.

FIG. 4 is a left side view of the electric rice cooker and warmer shown in FIG. 1.

FIG. 5 is a right side view of the electric rice cooker and warmer shown in FIG. 1.

FIG. 6 is a top view of the electric rice cooker and warmer shown in FIG. 1; and,

FIG. 7 is a bottom view of the electric rice cooker and warmer shown in FIG. 1.

1 Claim, 7 Drawing Sheets

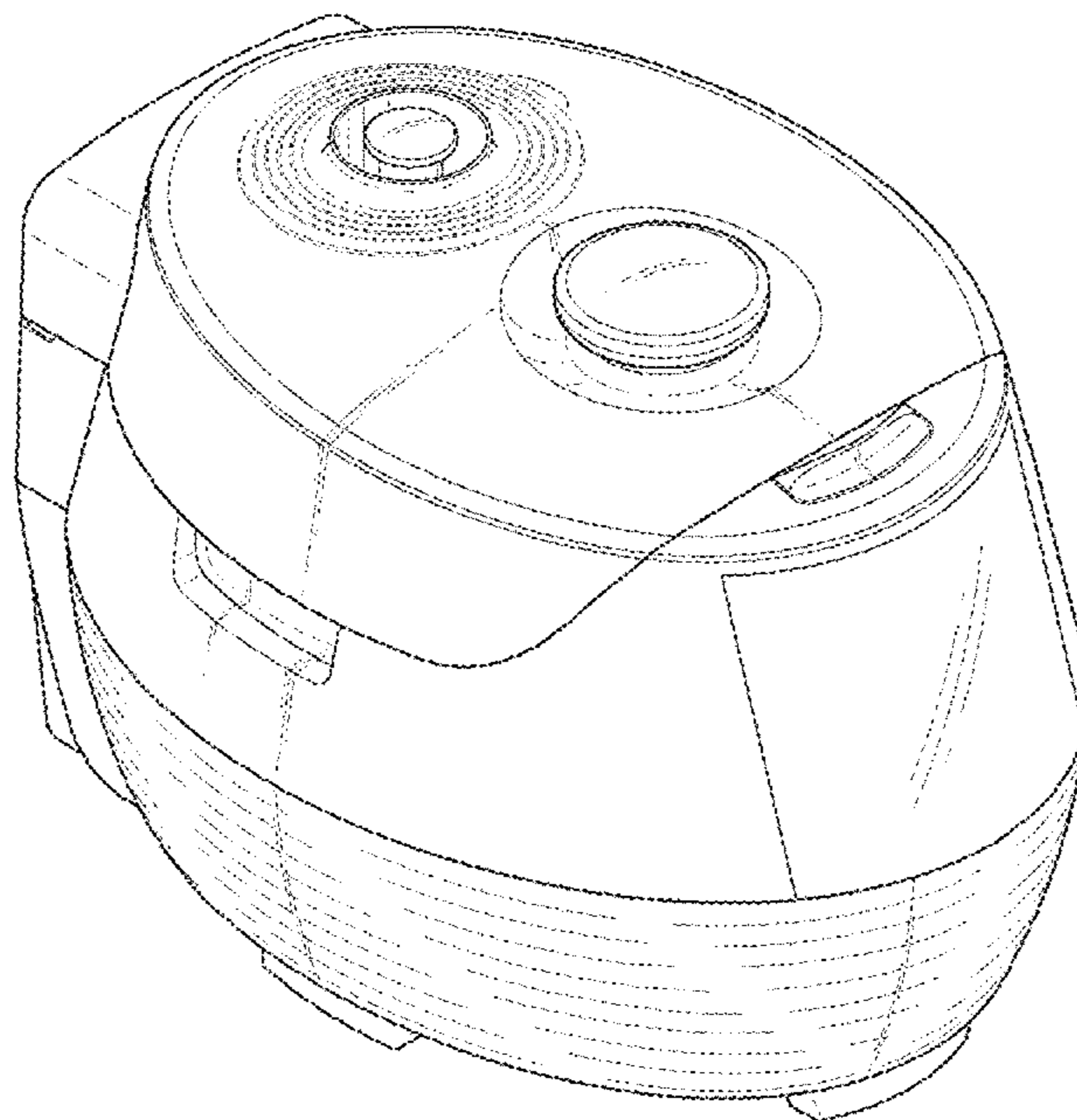


FIG. 1

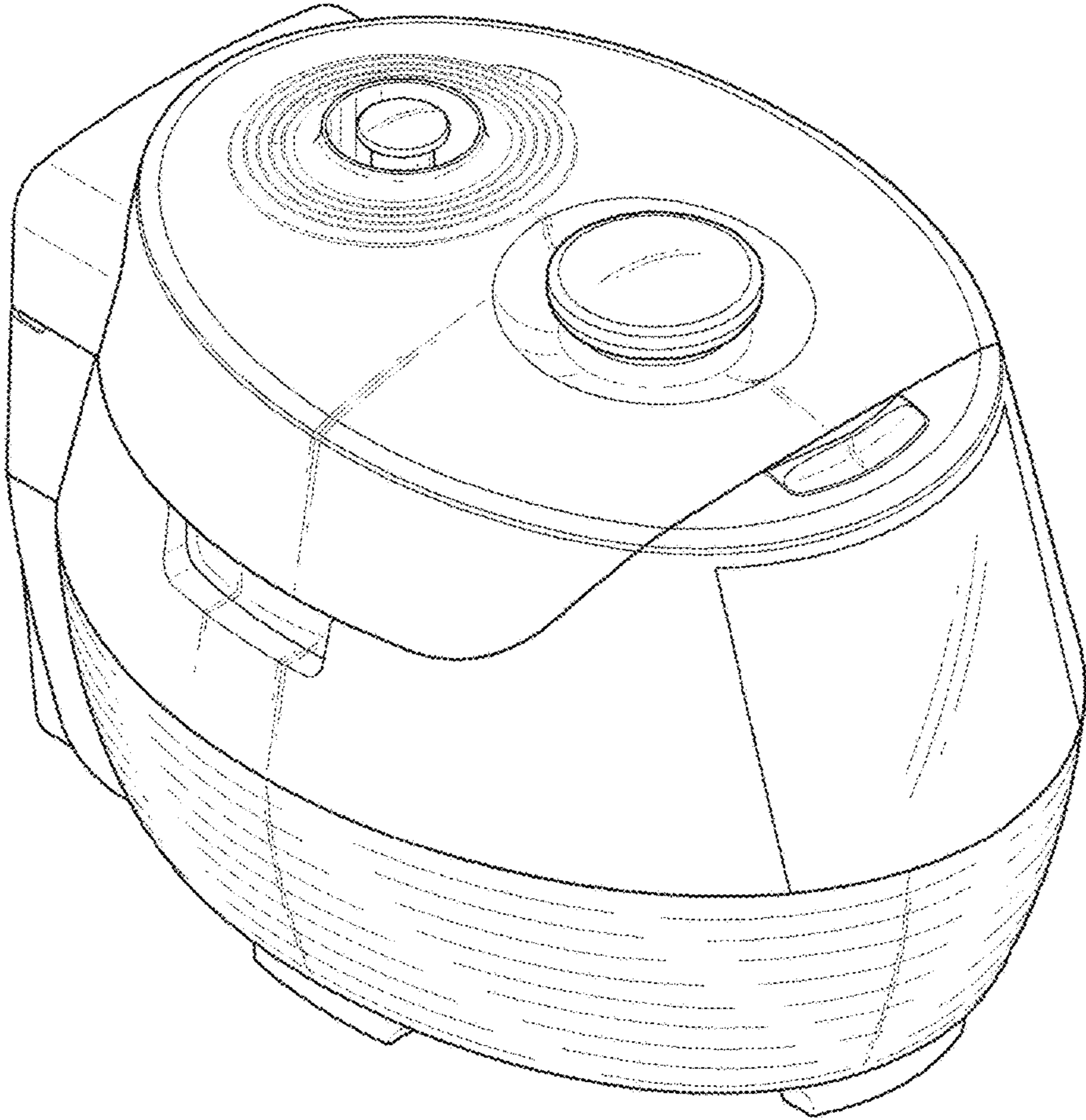


FIG. 2

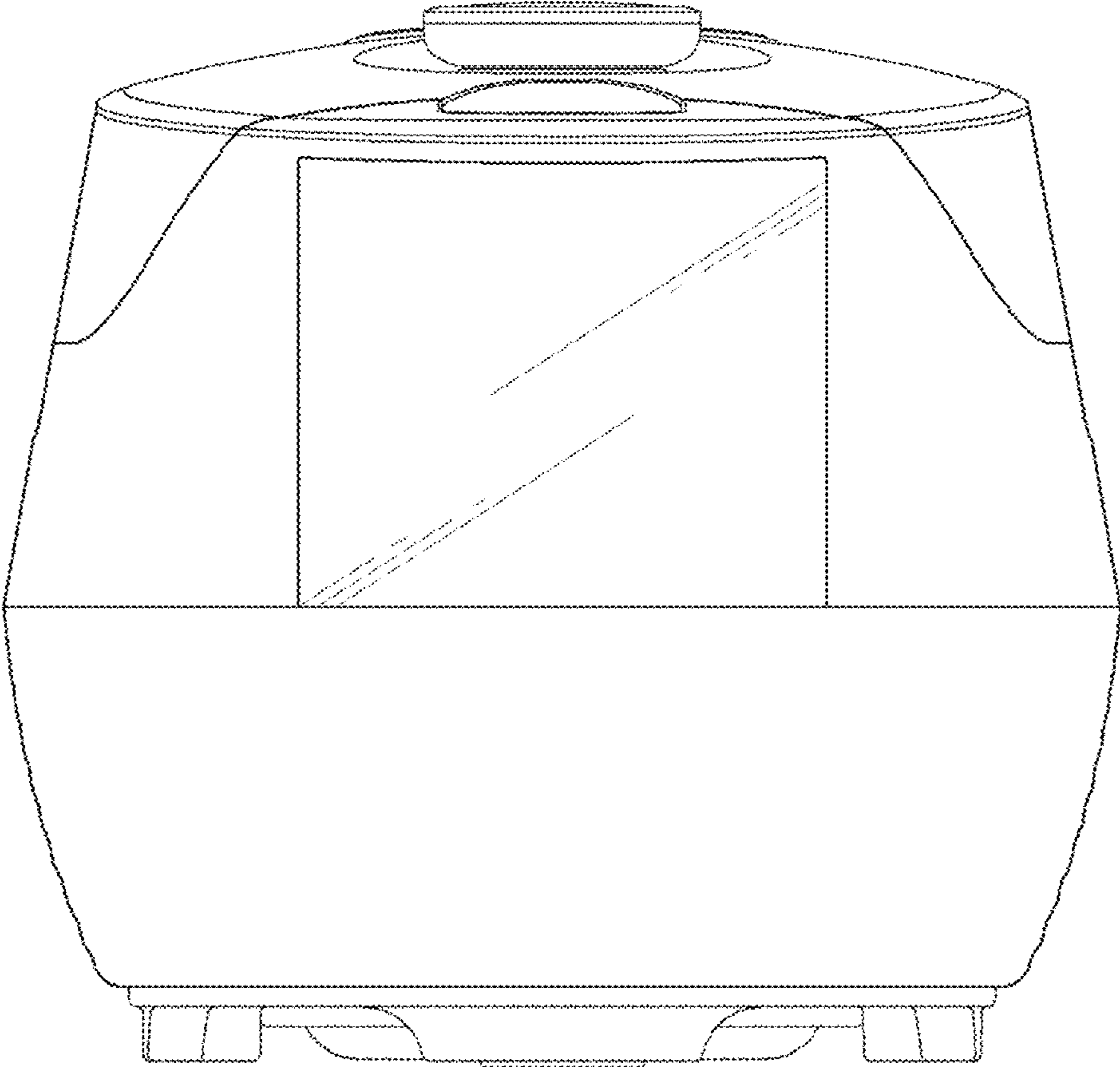


FIG. 3

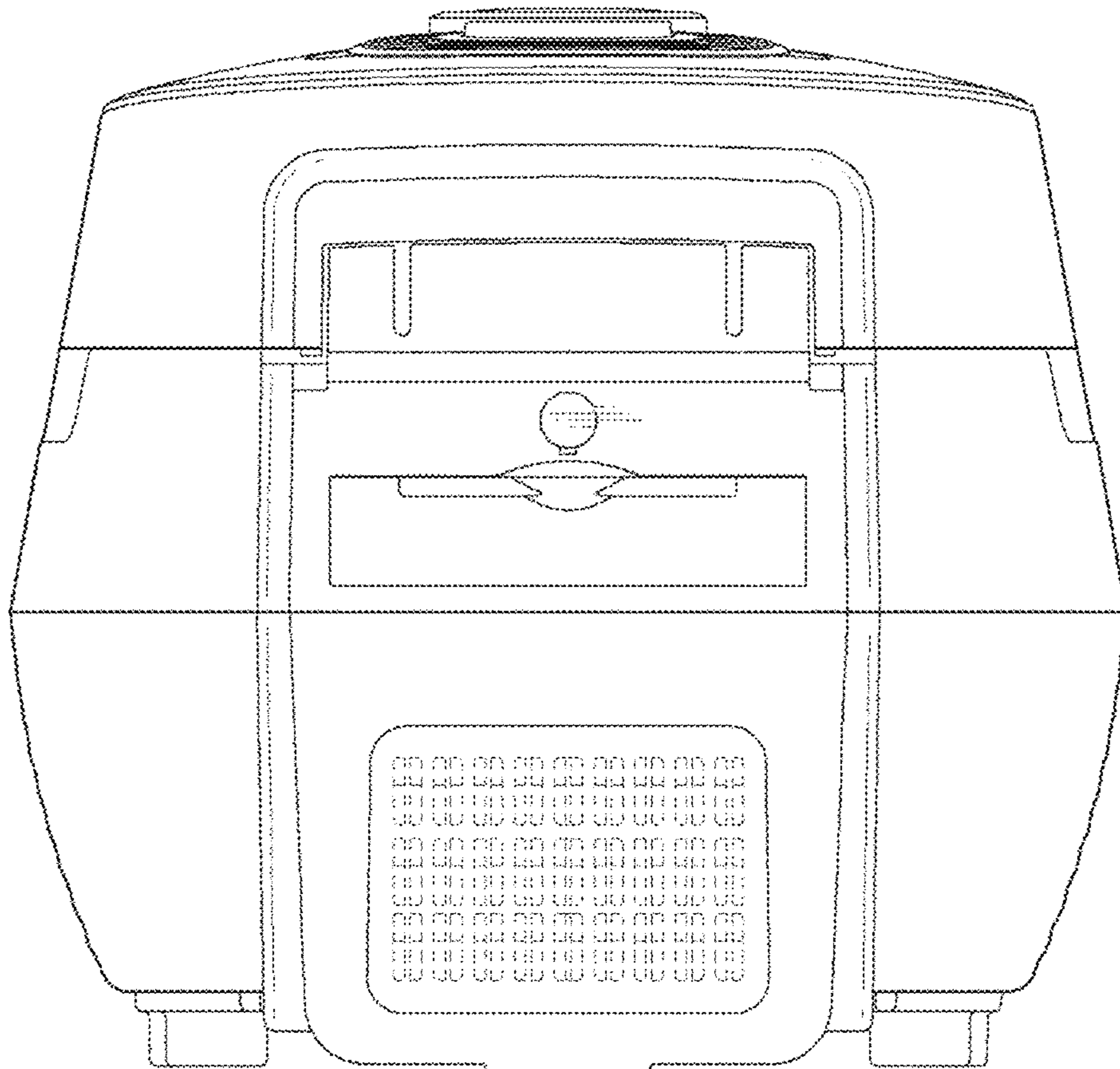


FIG. 4

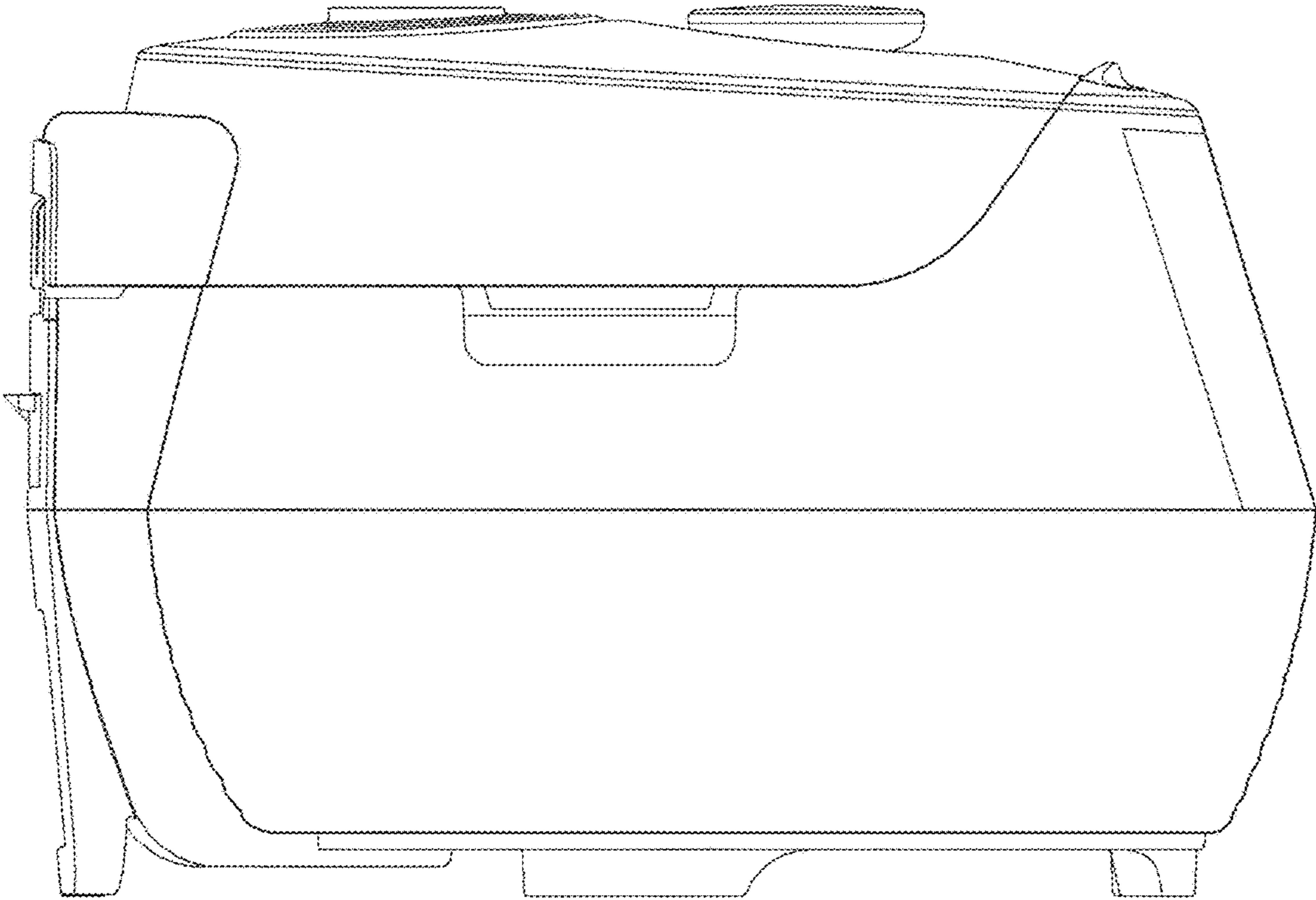


FIG. 5

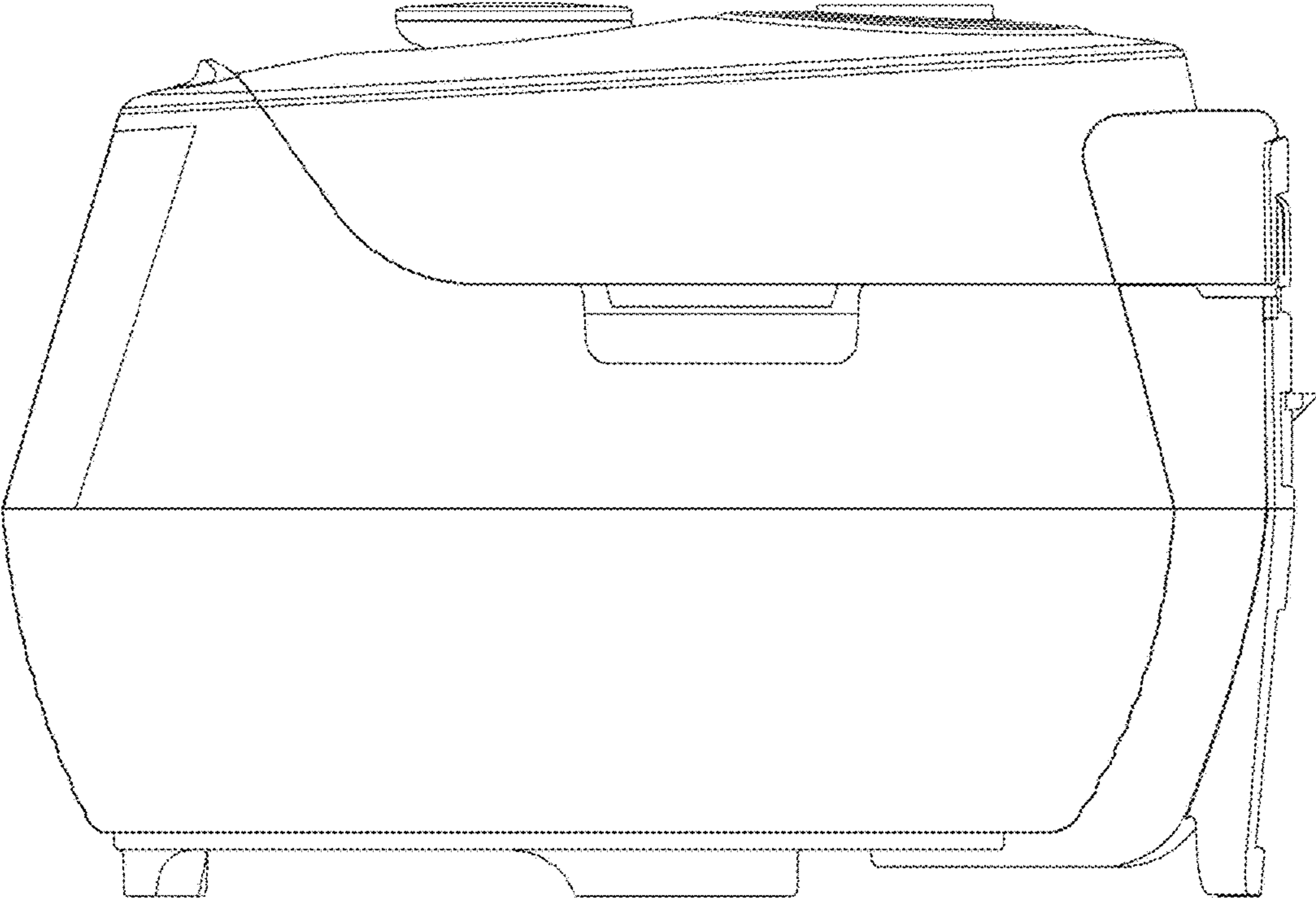


FIG. 6

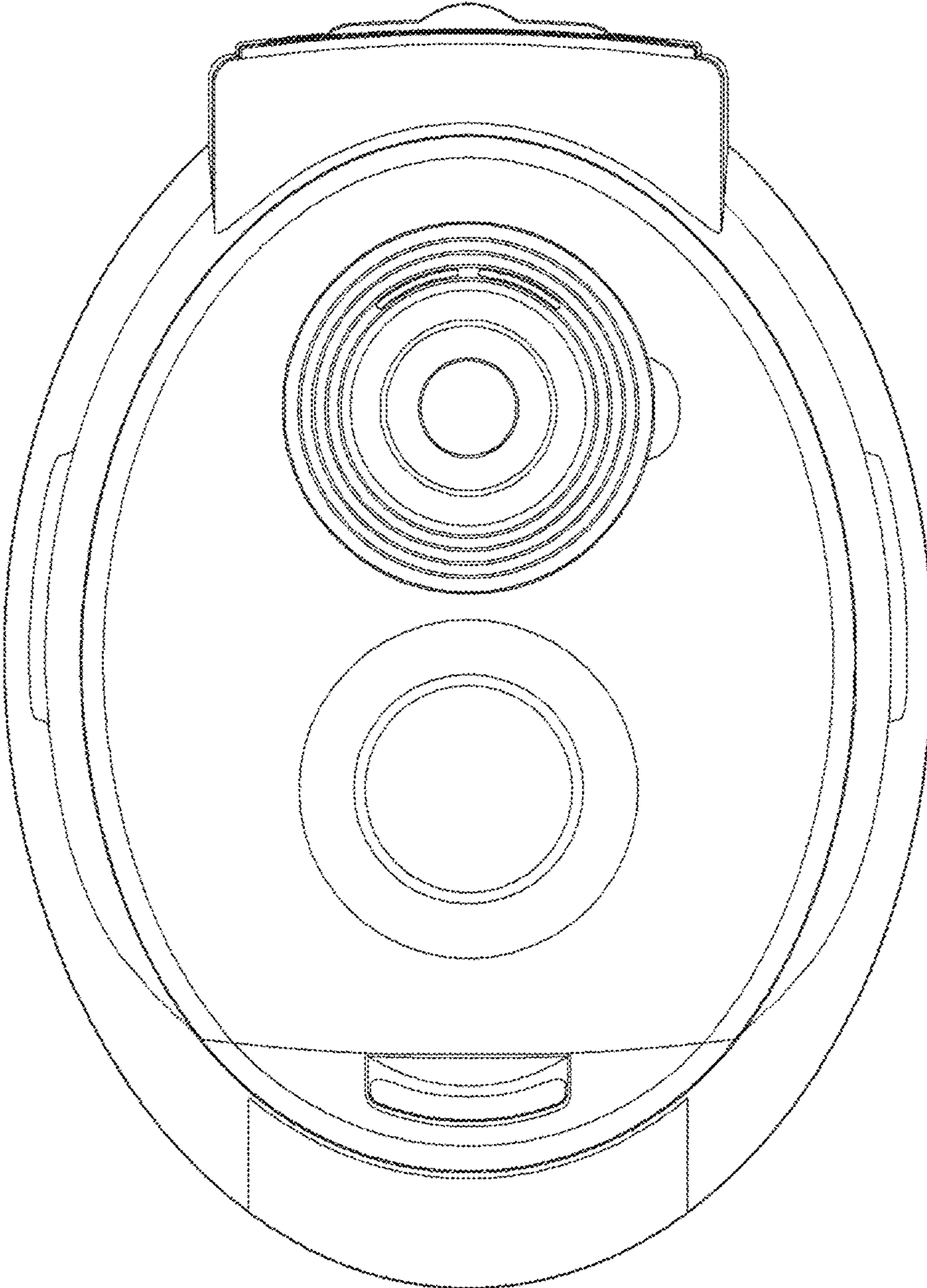


FIG. 7

