



US00D803613S

(12) **United States Design Patent** (10) **Patent No.:** **US D803,613 S**
Dominique (45) **Date of Patent:** **** Nov. 28, 2017**

(54) **COMBINATION GAS COOKER AND FRYER**

(71) Applicant: **Edward Dominique**, Plaquemine, LA (US)

(72) Inventor: **Edward Dominique**, Plaquemine, LA (US)

(**) Term: **15 Years**

(21) Appl. No.: **29/547,740**

(22) Filed: **Dec. 7, 2015**

(51) **LOC (10) Cl.** **07-02**

(52) **U.S. Cl.**
USPC **D7/347; D7/334**

(58) **Field of Classification Search**
USPC D7/323, 328, 332-334, 336, 337, 347, D7/354, 402-405, 407-408
CPC A47J 37/04; A47J 37/041; A47J 36/26; F24C 1/00; F24C 3/00; F24C 15/00
See application file for complete search history.

(56) **References Cited**

U.S. PATENT DOCUMENTS

- 3,314,416 A * 4/1967 Wagner A47J 27/0817
126/369
- 3,722,498 A * 3/1973 Kimbrough A47J 37/1242
126/38
- D229,661 S * 12/1973 Lambertson D7/334
- 4,299,579 A * 11/1981 Swiatosz G09B 19/00
434/226
- 4,717,809 A * 1/1988 Schwizer A47J 27/004
219/421
- D305,971 S * 2/1990 Janssens D7/360
- D335,420 S * 5/1993 Moore D7/339
- 5,253,566 A * 10/1993 McCabe A47J 37/1247
126/343.5 R
- 5,402,712 A * 4/1995 King A47J 27/0817
99/404
- D372,630 S * 8/1996 Lewis D7/346
- D372,631 S * 8/1996 Athanasiadis D7/347

- 5,979,431 A * 11/1999 Hamilton A47J 37/0682
126/304 A
- D421,694 S * 3/2000 Kitabayashi D7/346
- D460,320 S * 7/2002 Becker F24C 15/107
D7/408
- D465,383 S * 11/2002 Mosher D7/402
- D468,964 S * 1/2003 Becker F24C 15/107
D7/408
- 6,588,325 B1 * 7/2003 Savage A47J 37/1219
99/336

(Continued)

Primary Examiner — Caron D Veynar

Assistant Examiner — Mehri Bajoul

(74) *Attorney, Agent, or Firm* — Hinshaw & Culbertson LLP

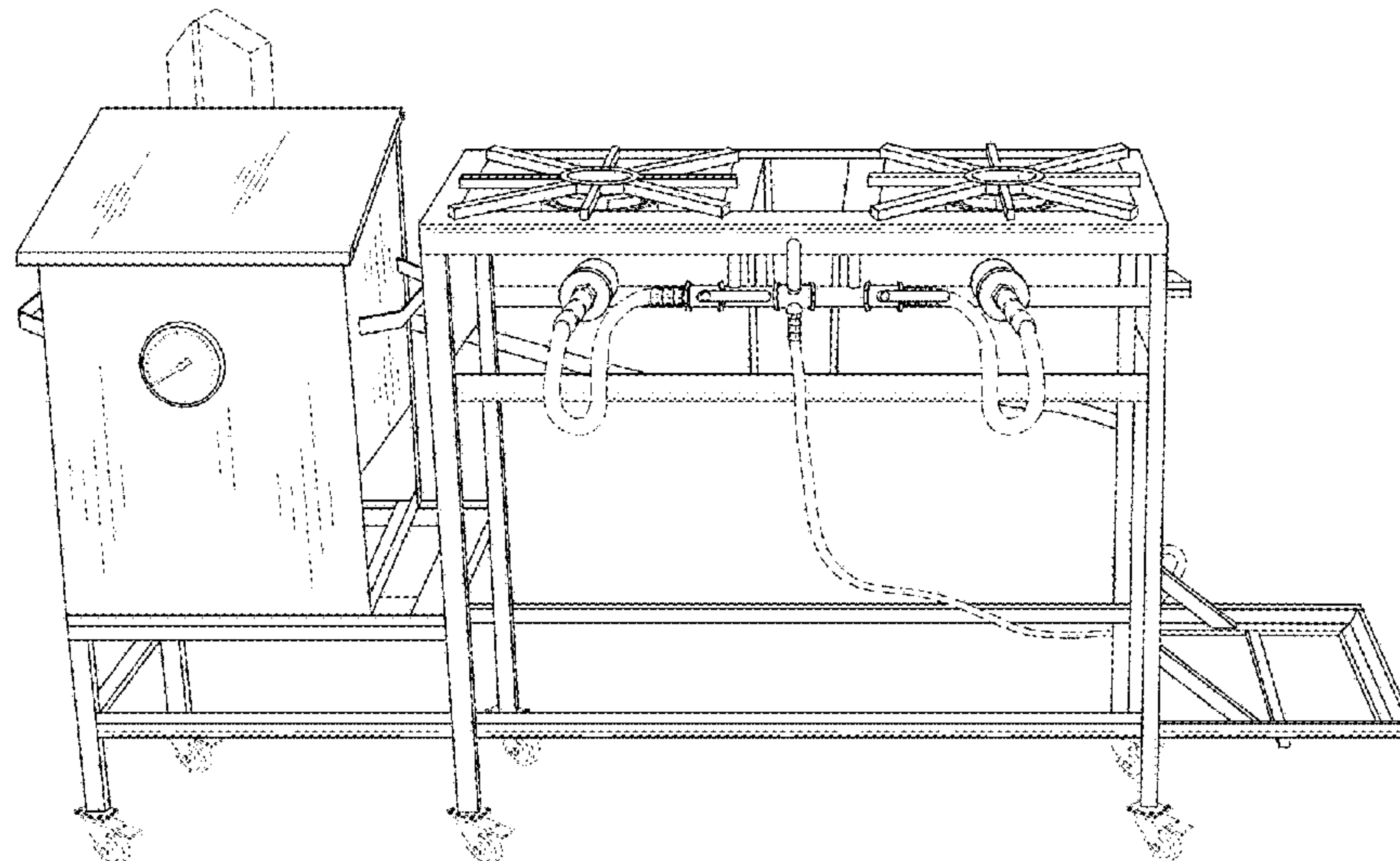
(57) **CLAIM**

I claim the ornamental design for a combination gas cooker and fryer, as shown.

DESCRIPTION

FIG. 1 is a front perspective view of the combination gas cooker and fryer of the invention.
 FIG. 2 is a right side perspective view of the combination gas cooker and fryer of the invention.
 FIG. 3 is a top plan view of the combination gas cooker and fryer of the invention.
 FIG. 4 is a front elevation view of the combination gas cooker and fryer of the invention.
 FIG. 5 is a right side elevation view of the combination gas cooker and fryer of the invention.
 FIG. 6 is a left side elevation view of the combination gas cooker and fryer of the invention; and,
 FIG. 7 is a rear elevation view of the combination gas cooker and fryer of the invention.
 In the drawings, the broken lines showing gas pipes, wheels and the wheel housing in FIGS. 1-7 form no part of the claimed design.

1 Claim, 7 Drawing Sheets



(56)

References Cited

U.S. PATENT DOCUMENTS

6,595,198 B2 * 7/2003 Mosher F24C 3/085
126/304 A
D481,589 S * 11/2003 Becker F24C 15/107
D7/408
D486,350 S * 2/2004 Nichols D7/346
D486,690 S * 2/2004 Becker F24C 15/107
D7/408
D496,820 S * 10/2004 Wilder D7/334
D536,568 S * 2/2007 Ostlund D7/340
D560,420 S * 1/2008 Roth D7/334
D586,608 S * 2/2009 May D7/332
D591,915 S * 5/2009 Lee D32/8
D604,093 S * 11/2009 Moussu D7/360
D637,373 S * 5/2011 Benning D34/19
D656,773 S * 4/2012 May D7/334
D667,253 S * 9/2012 Warren D7/335
D694,056 S * 11/2013 Dahle D7/334
D704,508 S * 5/2014 Nordwall D7/346
D708,001 S * 7/2014 Measom D7/332

* cited by examiner

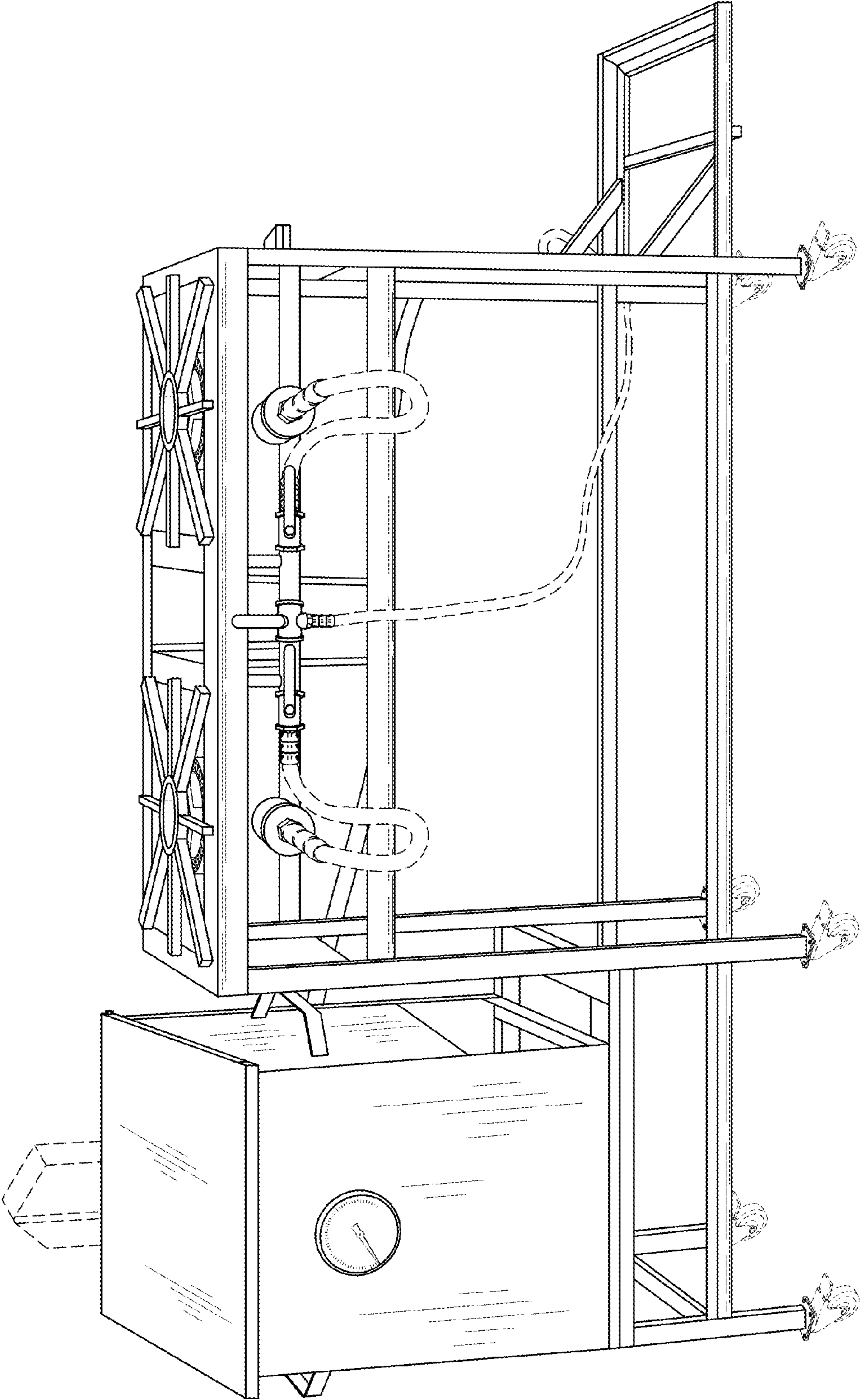


FIG. 1

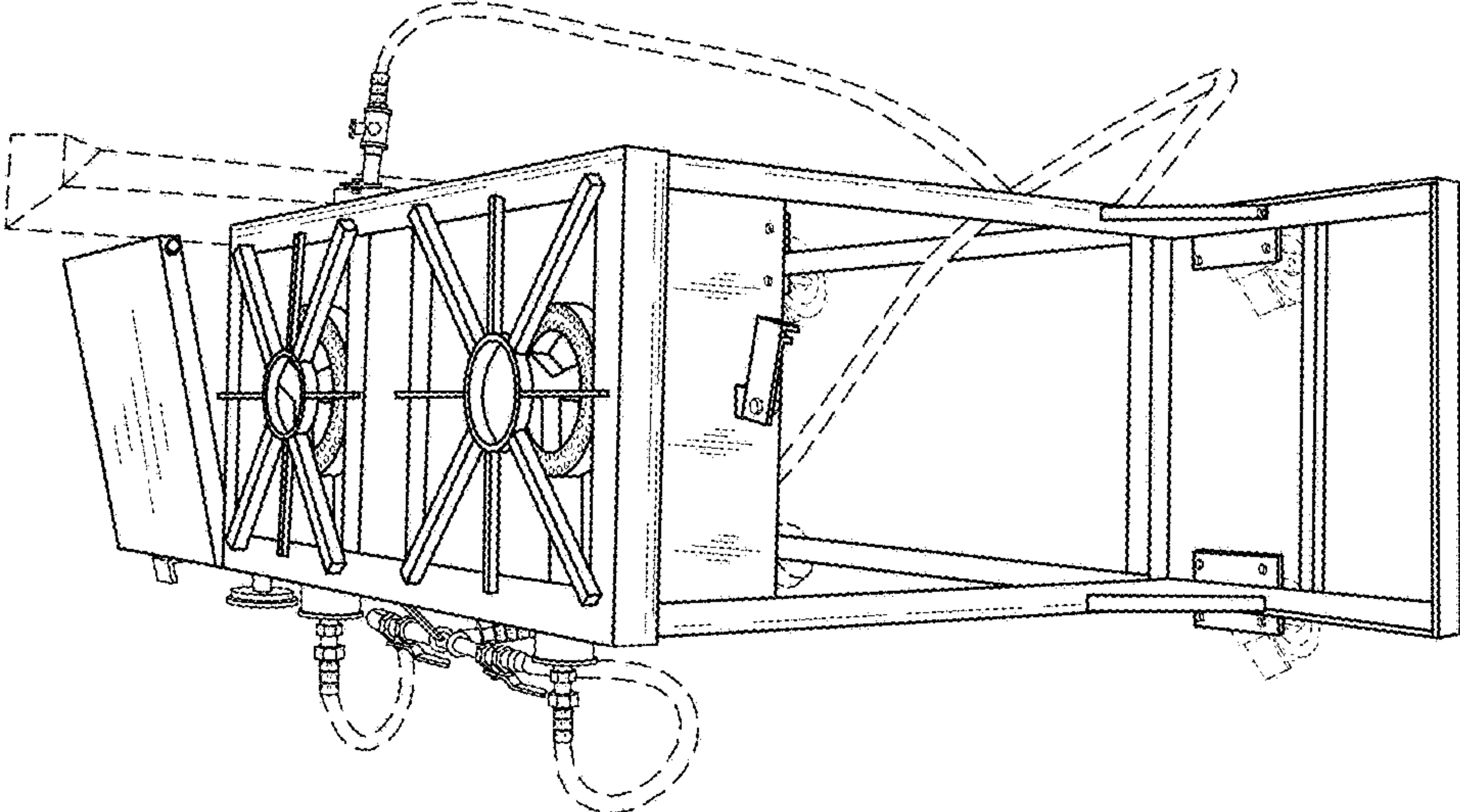


FIG. 2

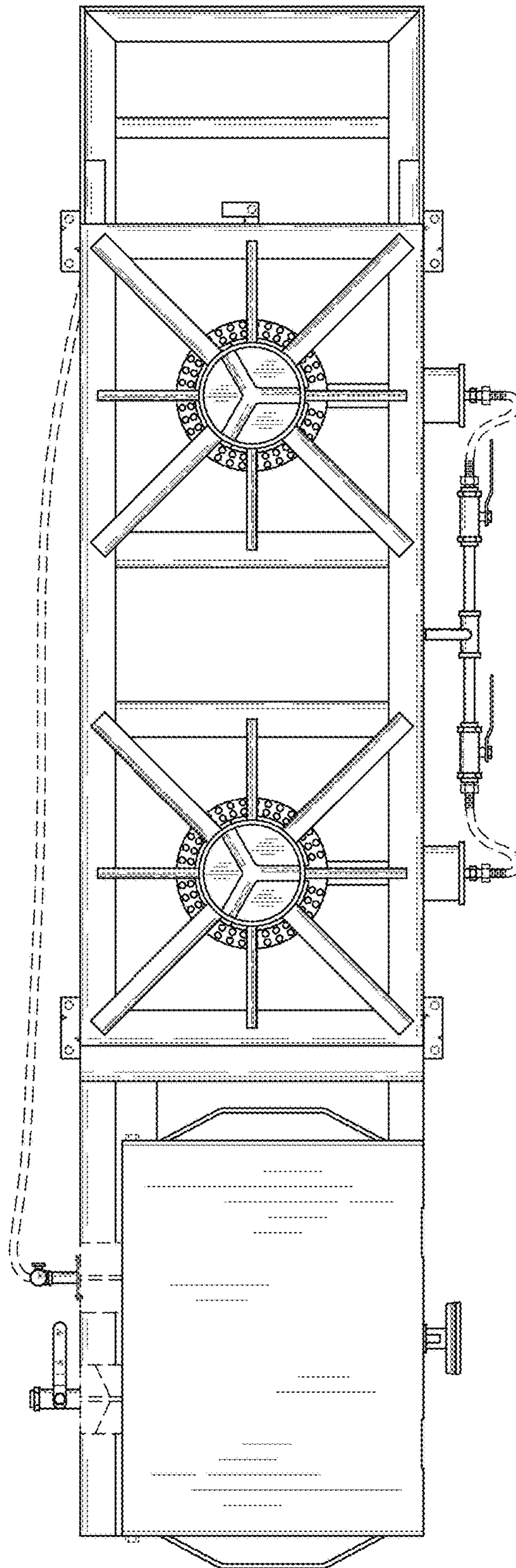


FIG. 3

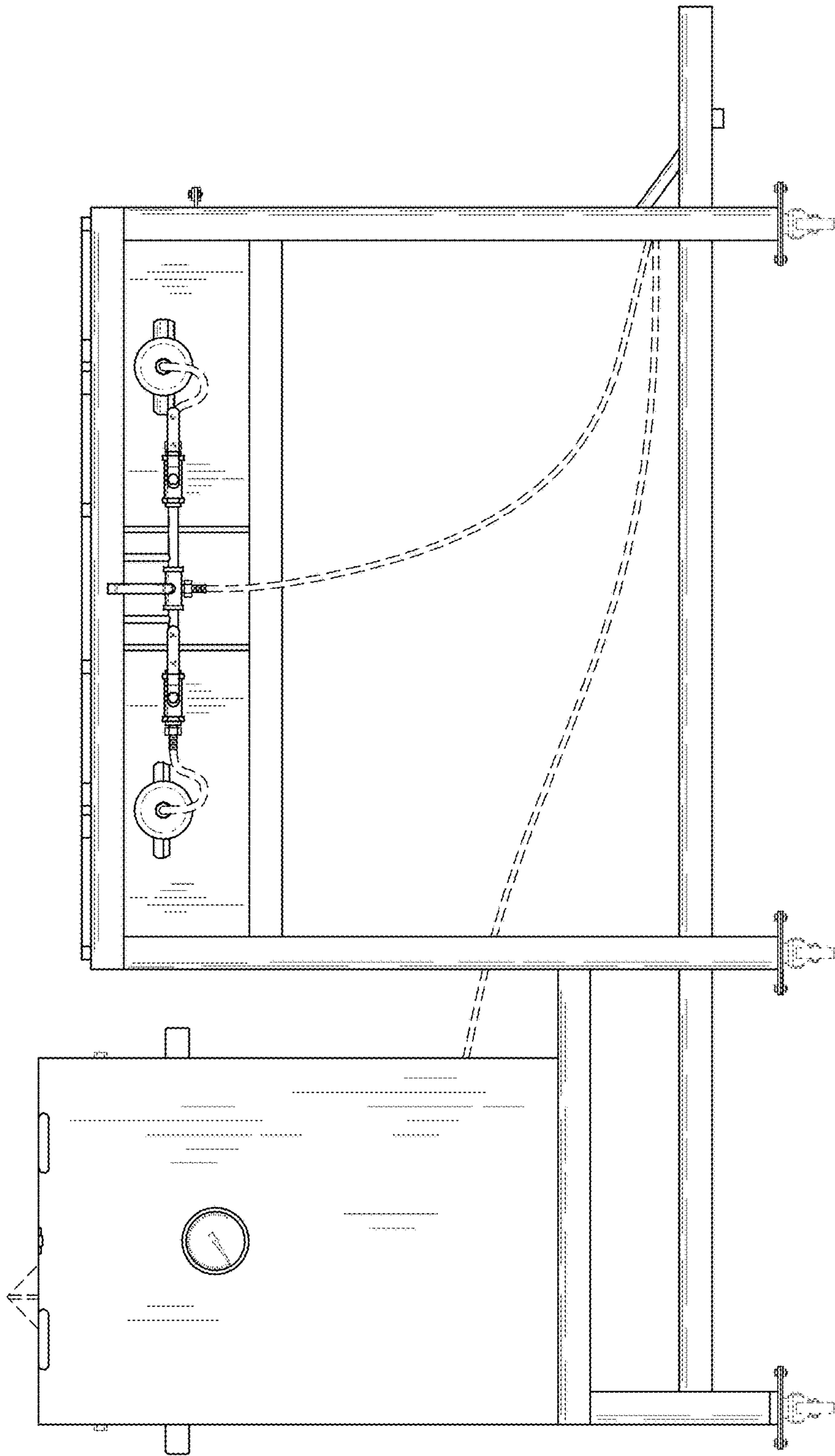


FIG. 4

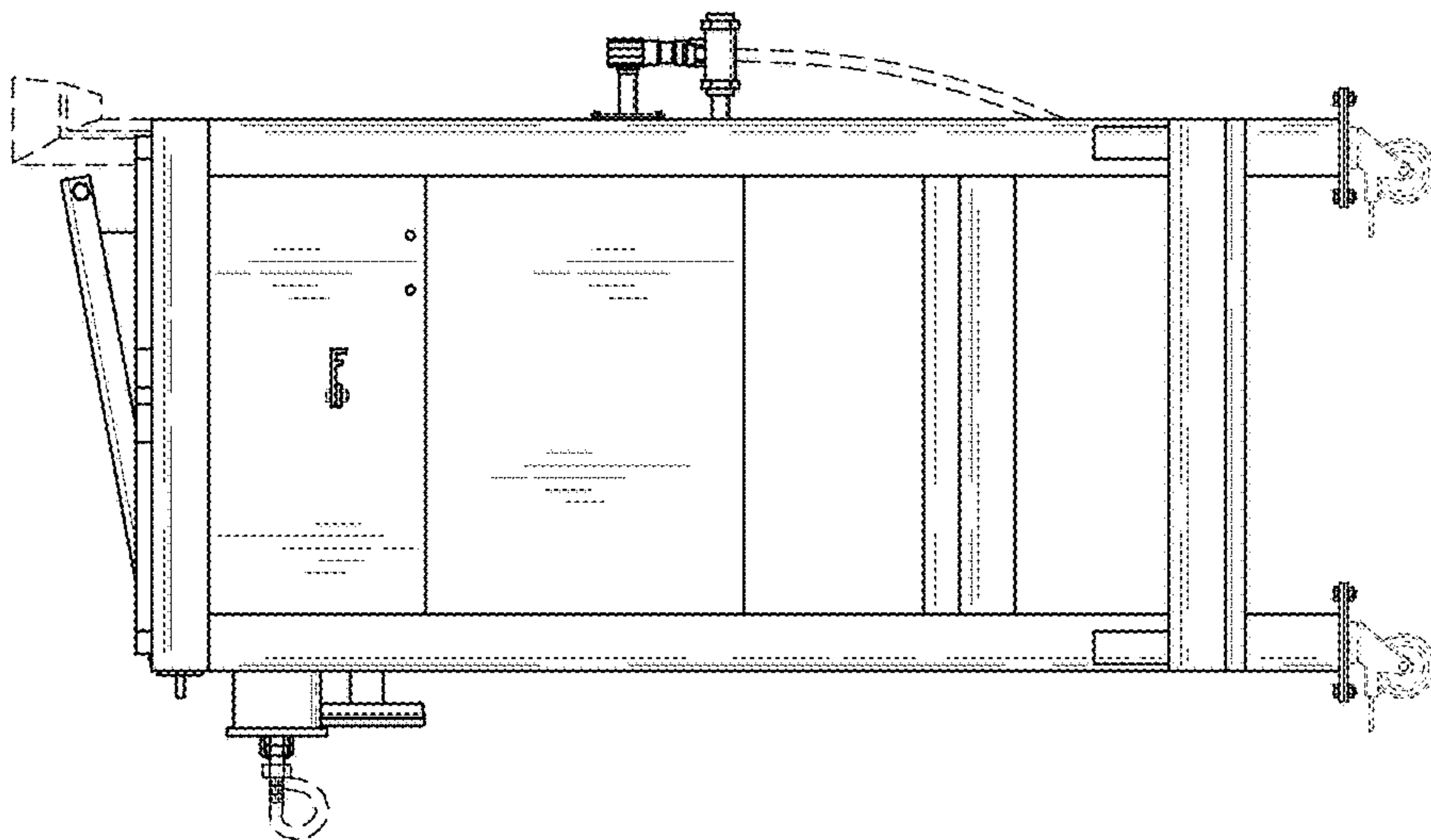


FIG. 5

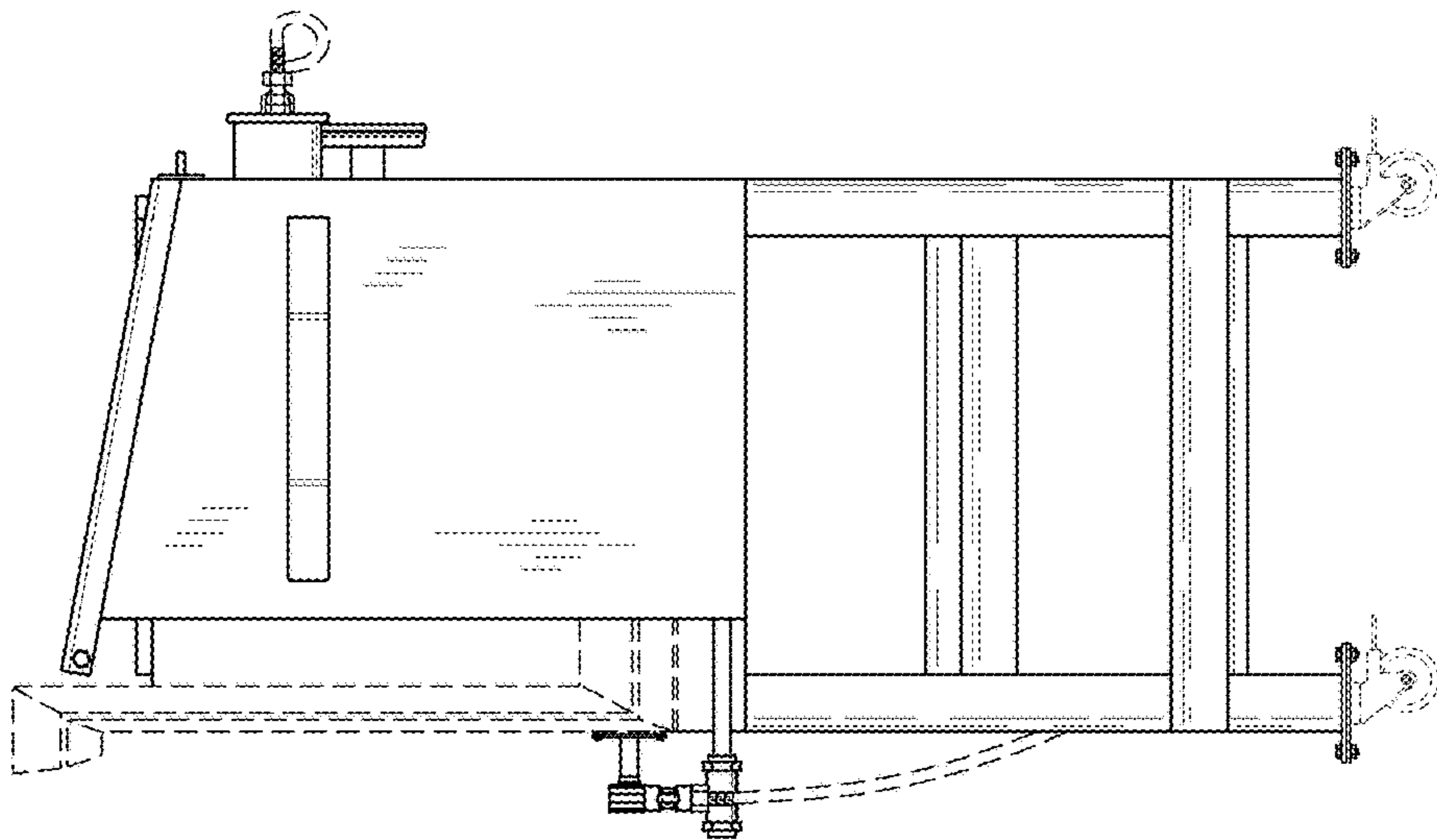


FIG. 6

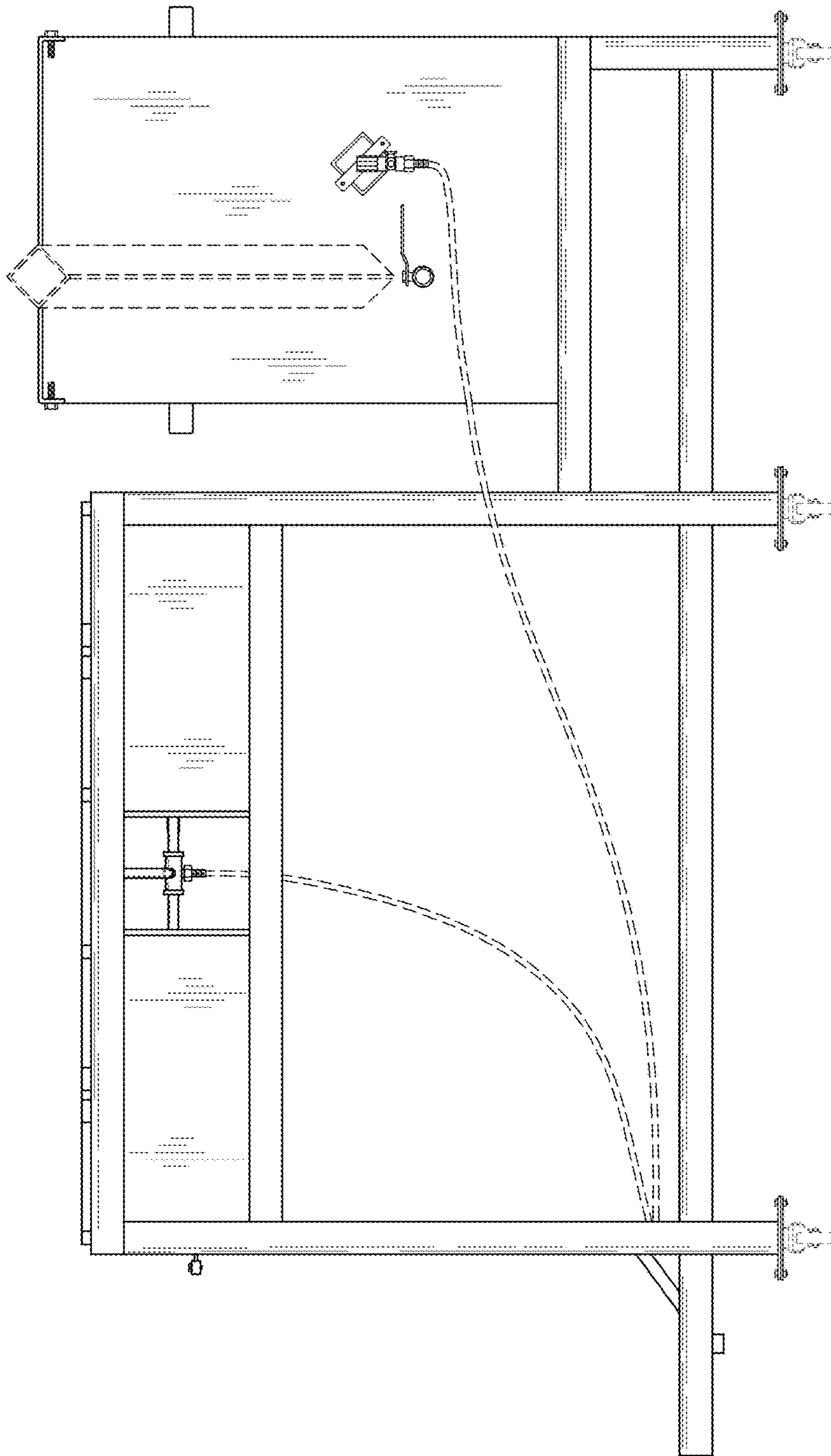


FIG. 7