



US00D803612S

(12) **United States Design Patent** (10) **Patent No.:** **US D803,612 S**
Byun (45) **Date of Patent:** **** Nov. 28, 2017**

(54) **COFFEE MAKER**

(71) Applicant: **Societe des Produits Nestlé S.A.,**
Vevey (CH)

(72) Inventor: **Da-Mi Byun,** Lausanne (CH)

(73) Assignee: **SOCIETE DES PRODUITS NESTLE**
S.A., Vevey (CH)

(**) Term: **15 Years**

(21) Appl. No.: **29/553,021**

(22) Filed: **Jan. 28, 2016**

(30) **Foreign Application Priority Data**

Jul. 29, 2015 (CH) 141666

(51) **LOC (10) Cl.** **07-01**

(52) **U.S. Cl.**
USPC **D7/309; D7/311**

(58) **Field of Classification Search**
USPC D7/305-311, 313; D15/82; 222/129.1,
222/146.6; 99/295

CPC A47J 31/44; A47J 31/4403; A47J 31/46;
A47J 31/4482; A47J 31/369; A47J
31/407; A47J 31/10; A47J 31/467; A47J
31/0615; B67D 1/36; B67D 2210/0065;
B67D 1/0864; B67D 3/0061

See application file for complete search history.

(56) **References Cited**

U.S. PATENT DOCUMENTS

D258,455 S * 3/1981 Stafford D20/4
D283,779 S * 5/1986 Beeren D7/308

D300,595 S * 4/1989 Boxall D15/85
D321,107 S * 10/1991 Laws D7/308
D338,365 S * 8/1993 Meelen D7/309
D407,594 S * 4/1999 Jones D7/307
D448,600 S * 10/2001 Sandor D7/307
D556,495 S * 12/2007 Davenport D7/309
D630,880 S * 1/2011 Zimmermann D7/309
D785,393 S * 5/2017 Palermo D7/306

* cited by examiner

Primary Examiner — Marianne Pandozzi

(74) *Attorney, Agent, or Firm* — Finnegan, Henderson,
Farabow, Garrett & Dunner, LLP

(57) **CLAIM**

The ornamental design for a coffee maker, as shown and described.

DESCRIPTION

FIG. 1 is a top, right, front perspective view of a coffee maker showing my new design.

FIG. 2 is a bottom, right, front perspective view thereof;

FIG. 3 is a front elevation view thereof;

FIG. 4 is a rear elevation view thereof;

FIG. 5 is a left side view thereof;

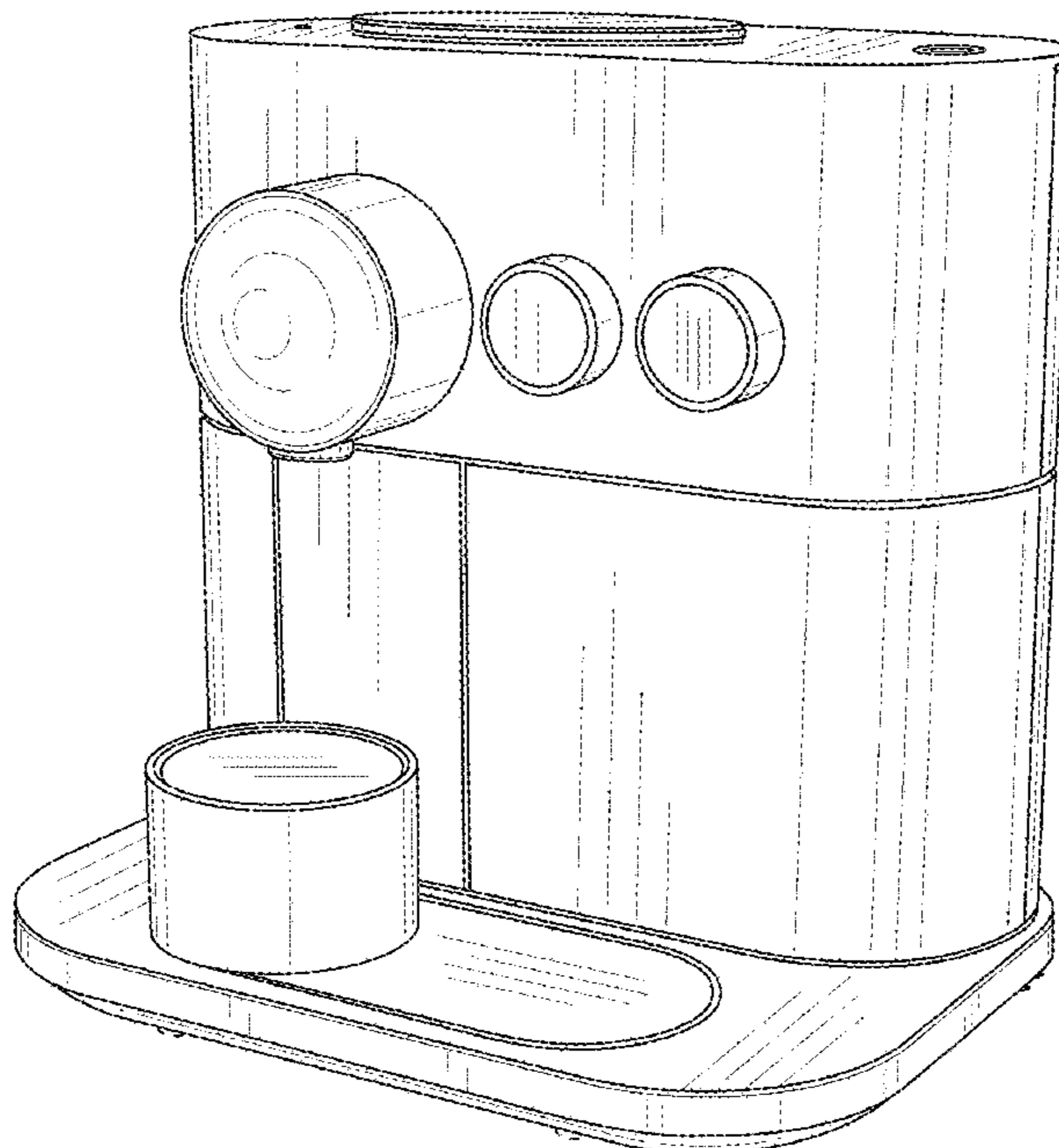
FIG. 6 is a right side view thereof;

FIG. 7 is a top plan view thereof; and,

FIG. 8 is a bottom view thereof.

The even length broken lines in the drawing depict portions of the coffee maker that form no part of the claimed design.

1 Claim, 8 Drawing Sheets



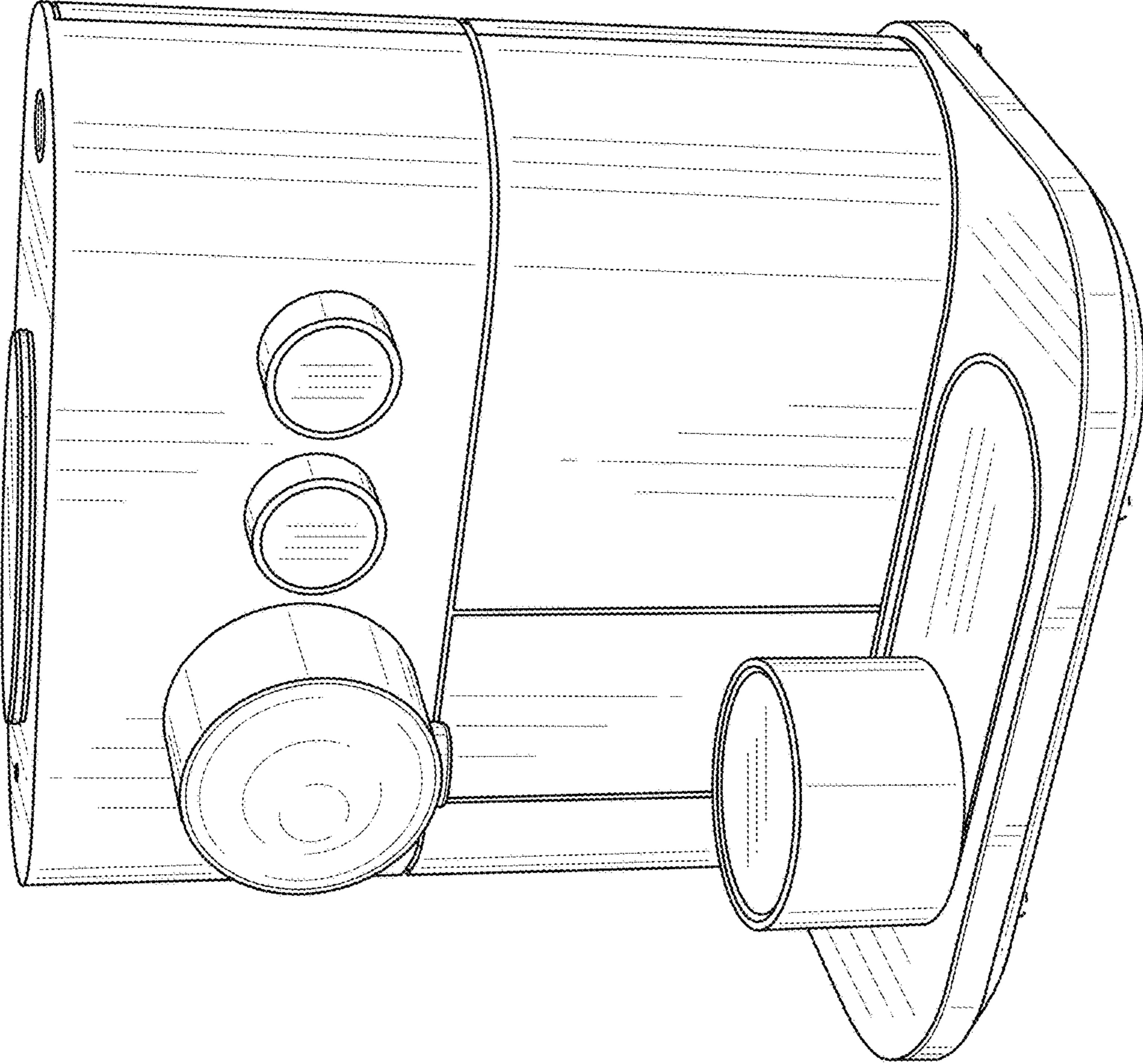


FIG. 1

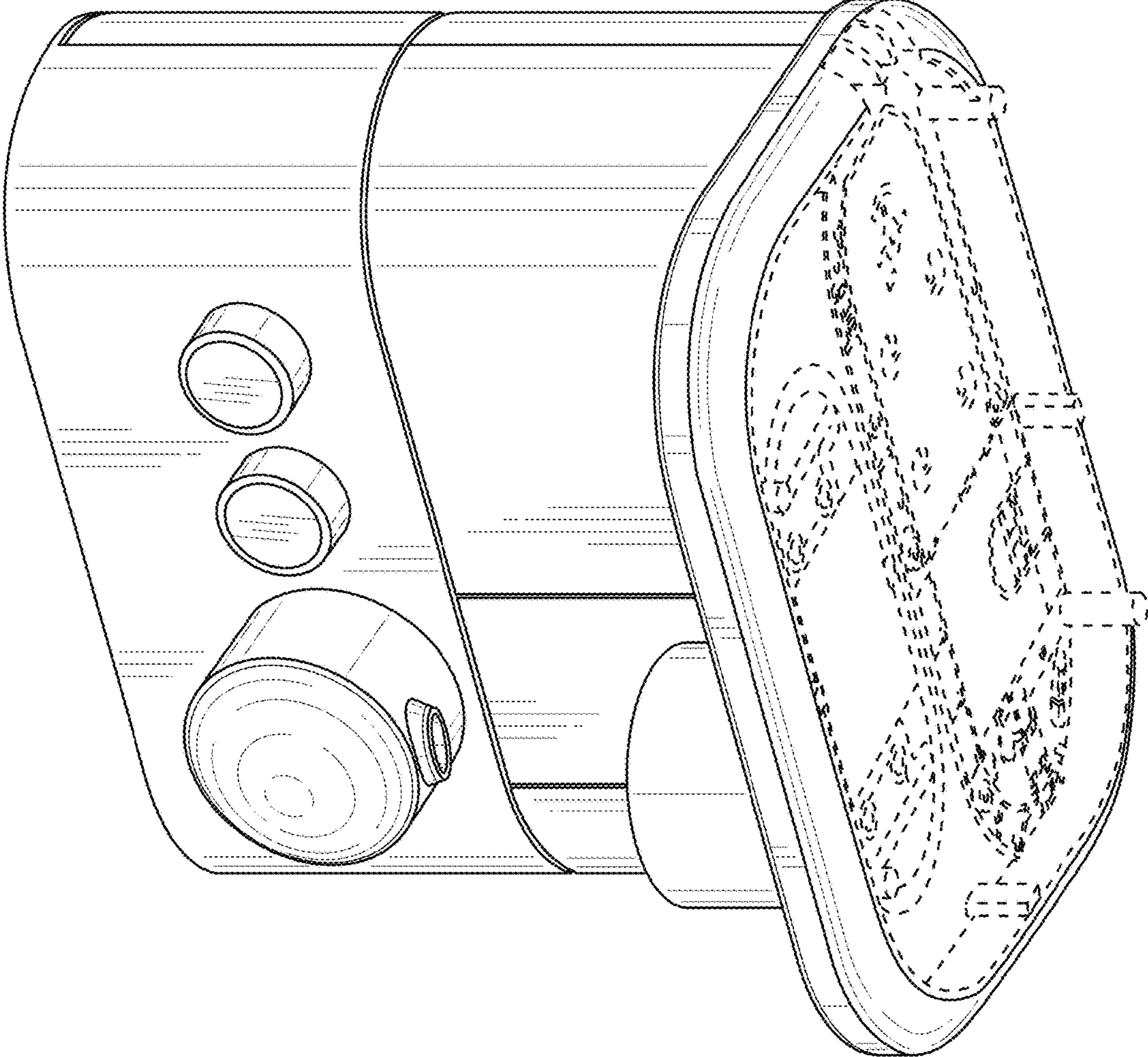


FIG. 2

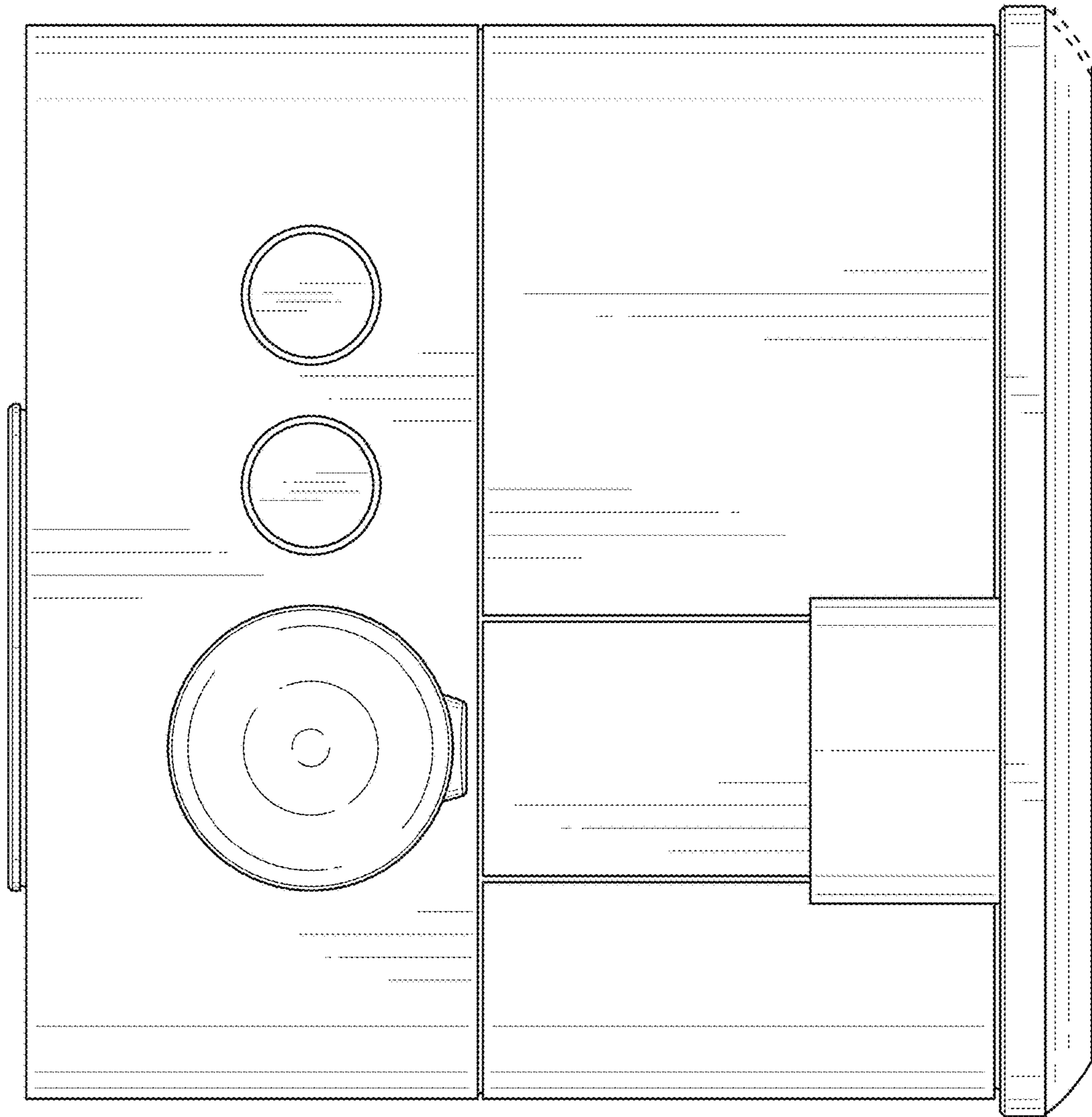


FIG. 3

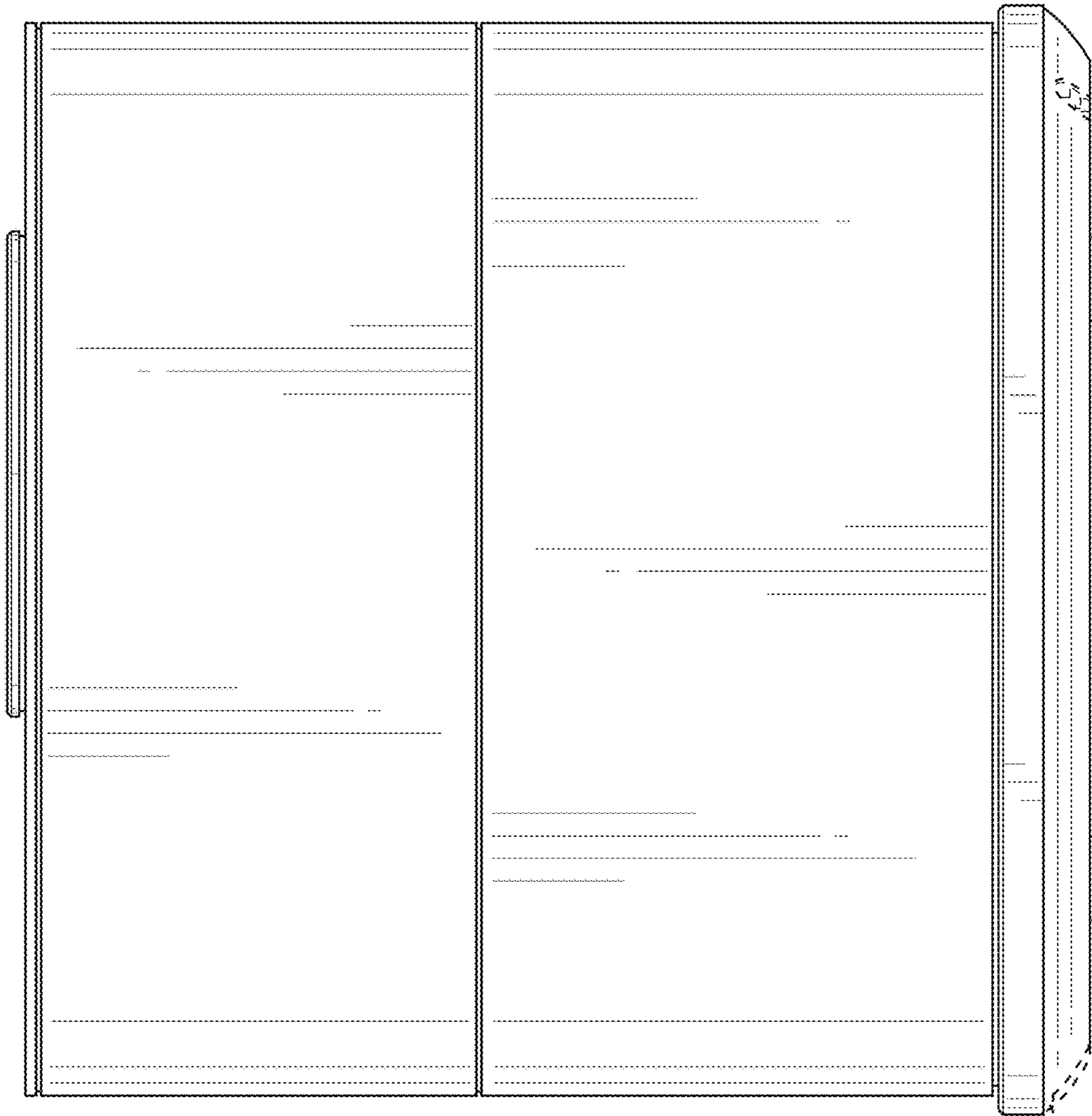


FIG. 4

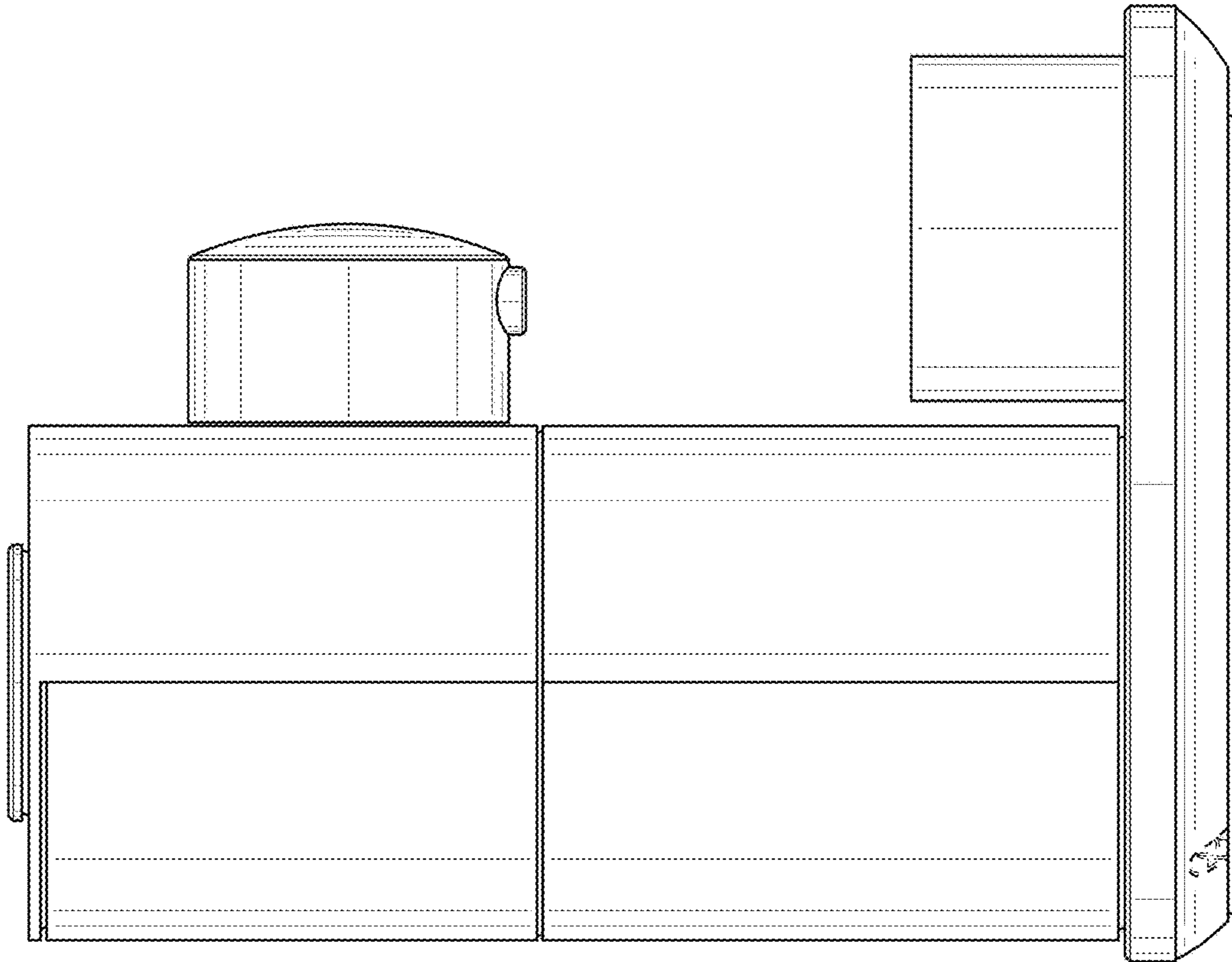


FIG. 5

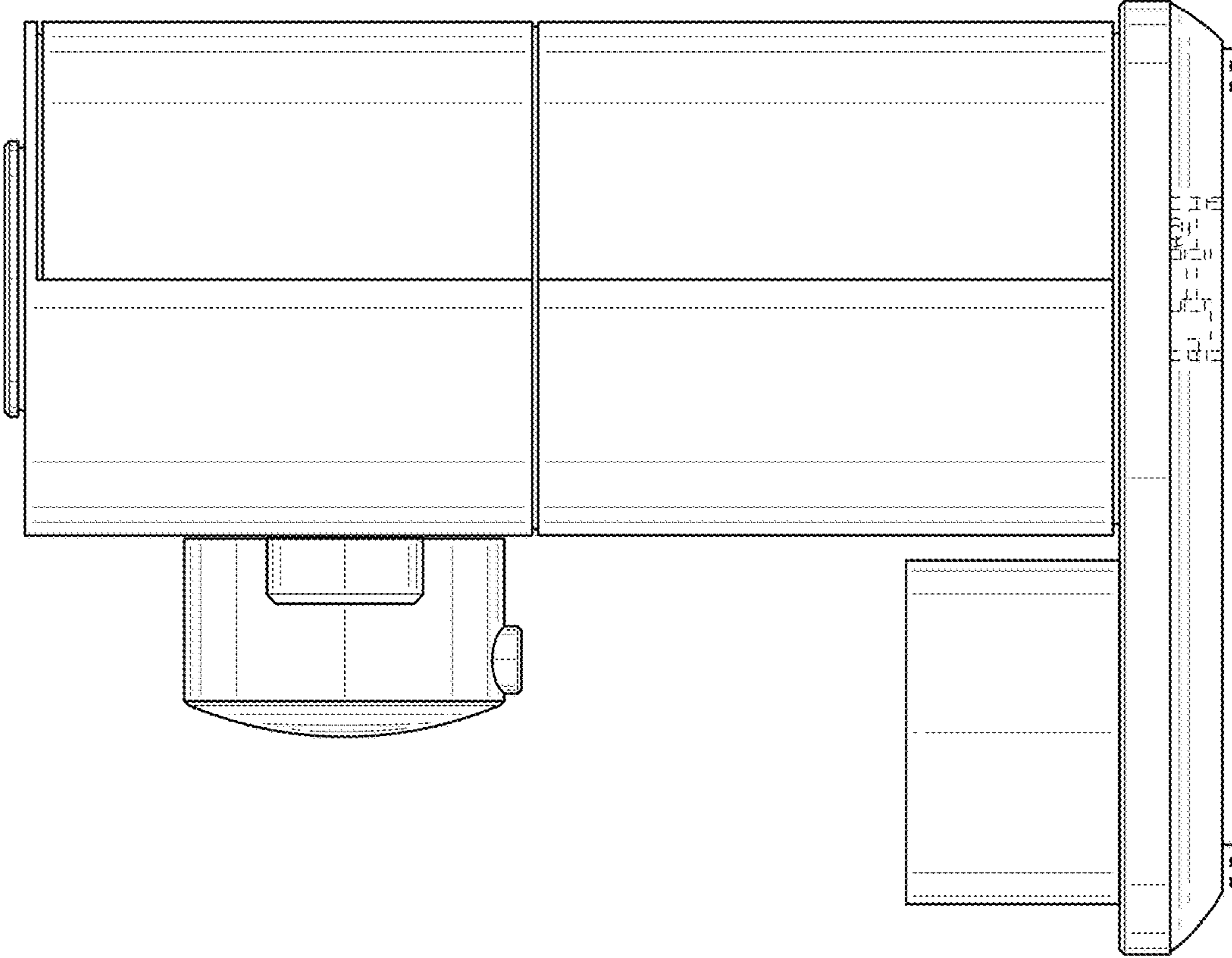


FIG. 6

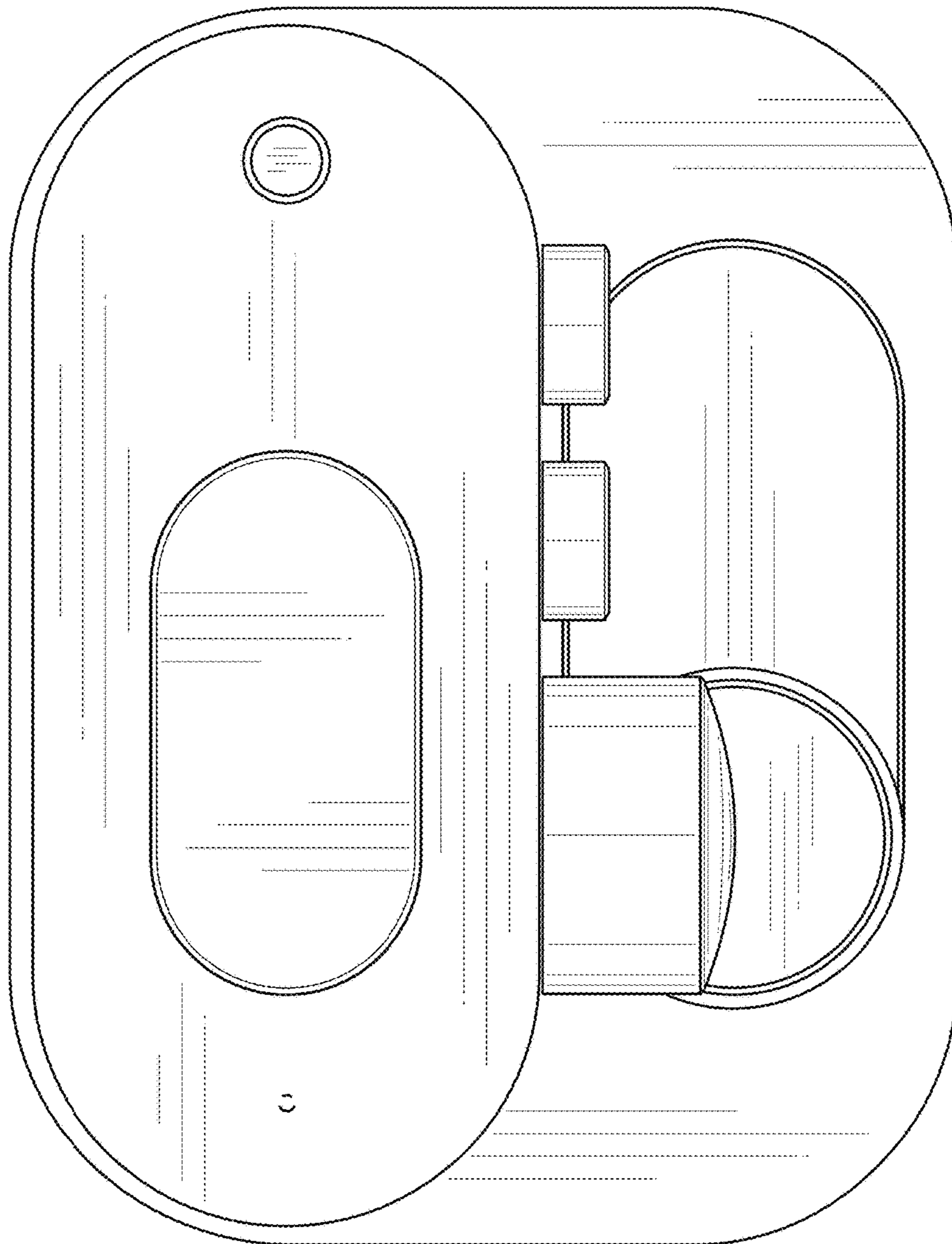


FIG. 7

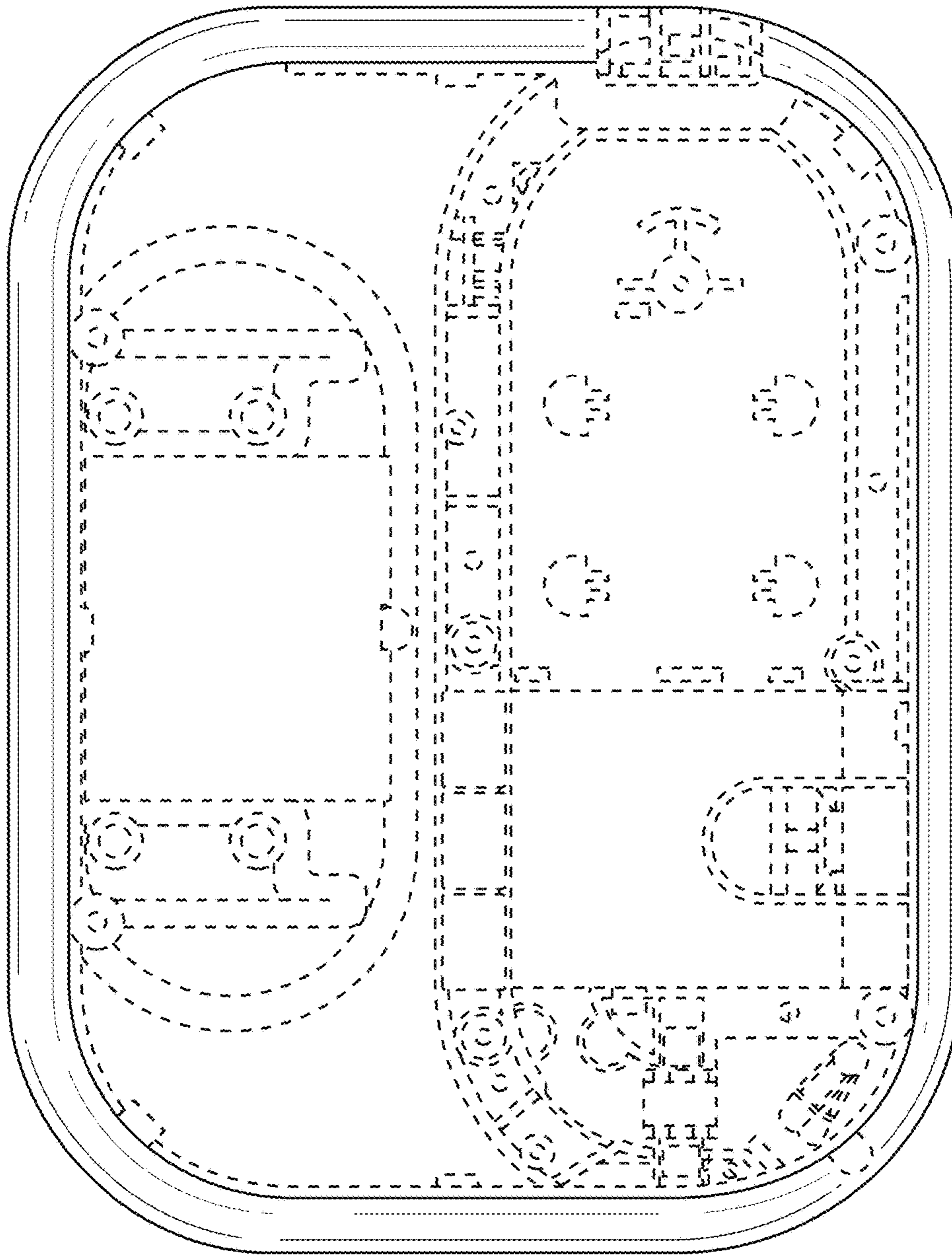


FIG. 8