



US00D803611S

(12) **United States Design Patent** (10) **Patent No.:** **US D803,611 S**  
**Hanneson et al.** (45) **Date of Patent:** **\*\* Nov. 28, 2017**

(54) **BEVERAGE MACHINE**

(71) Applicant: **2266170 Ontario Inc.**, Mississauga (CA)

(72) Inventors: **Scott Jeffrey Hanneson**, Mississauga (CA); **Thomas Joseph Pfeifer**, Louisville, KY (US); **John Thomas Quesenberry**, Crestwood, KY (US); **Charles Curtiss Hunt**, Wake Forest, NC (US); **Christopher Todd Collins**, Morrow, OH (US)

(73) Assignee: **2266170 Ontario Inc.** (CA)

(\*\*) Term: **15 Years**

(21) Appl. No.: **29/552,291**

(22) Filed: **Jan. 21, 2016**

(30) **Foreign Application Priority Data**

Jul. 22, 2015 (CA) ..... 163474

(51) **LOC (10) Cl.** ..... **07-01**

(52) **U.S. Cl.**  
USPC ..... **D7/306**; D7/311; D7/309

(58) **Field of Classification Search**  
USPC ..... D7/305-311, 313; D15/82; 222/129.1, 222/146.6; 99/295  
CPC ..... A47J 31/44; A47J 31/4403; A47J 31/46; A47J 31/4482; A47J 31/369; A47J 31/407; A47J 31/10; A47J 31/467; A47J 31/0615; B67D 1/36; B67D 2210/0065; B67D 1/0864; B67D 3/0061

See application file for complete search history.

(56) **References Cited**

**U.S. PATENT DOCUMENTS**

D525,070 S \* 7/2006 Moreno ..... D7/309  
D582,714 S \* 12/2008 Hensel ..... D7/309

D594,688 S \* 6/2009 Hammad ..... D7/306  
D604,985 S \* 12/2009 Taylor ..... D7/309  
D626,368 S \* 11/2010 De Pra' ..... D7/309  
D634,963 S \* 3/2011 Romandy ..... D7/306  
D667,674 S \* 9/2012 Wilder ..... D7/306  
D738,149 S \* 9/2015 Ye ..... D7/306  
D756,157 S \* 5/2016 Murphy ..... D7/306  
D756,696 S \* 5/2016 Murphy ..... D7/306  
D756,697 S \* 5/2016 Burrows ..... D7/309  
D760,008 S \* 6/2016 Moon, II ..... D7/306  
D760,009 S \* 6/2016 Moammer ..... D7/309  
D763,030 S \* 8/2016 Priley ..... D7/306  
D786,602 S \* 5/2017 Palermo ..... D7/306

(Continued)

*Primary Examiner* — Marianne Pandozzi

(74) *Attorney, Agent, or Firm* — Saidman DesignLaw Group, LLC

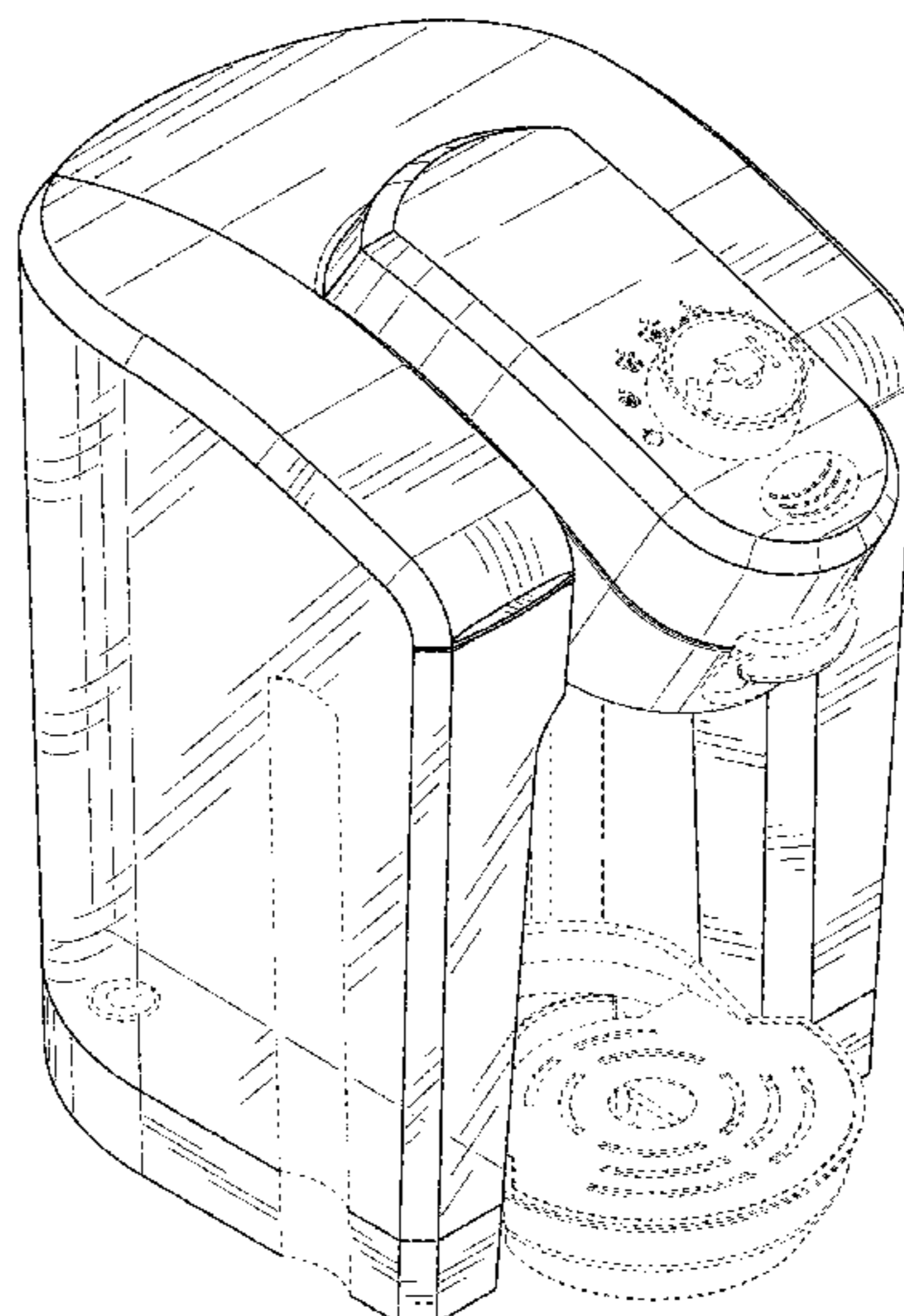
(57) **CLAIM**

The ornamental design for a beverage machine, as shown and described.

**DESCRIPTION**

FIG. 1 is a perspective view of a beverage machine showing our new design;  
FIG. 2 is another perspective view thereof, with a portion of the beverage machine in an open position;  
FIG. 3 is a front view thereof;  
FIG. 4 is a rear view thereof;  
FIG. 5 is a left side view thereof;  
FIG. 6 is a right side view thereof;  
FIG. 7 is a top view thereof; and,  
FIG. 8 is a bottom view thereof.  
The broken lines in the drawing depict portions of the beverage machine that form no part of the claimed design. FIGS. 1-8 include transparent surfaces on the left portion of the claimed design, which are indicated by surface shading and lines that are visible through the transparent surfaces.

**1 Claim, 8 Drawing Sheets**



(56)

**References Cited**

U.S. PATENT DOCUMENTS

2013/0004629 A1\* 1/2013 Clark ..... A47J 31/4467  
426/231

\* cited by examiner

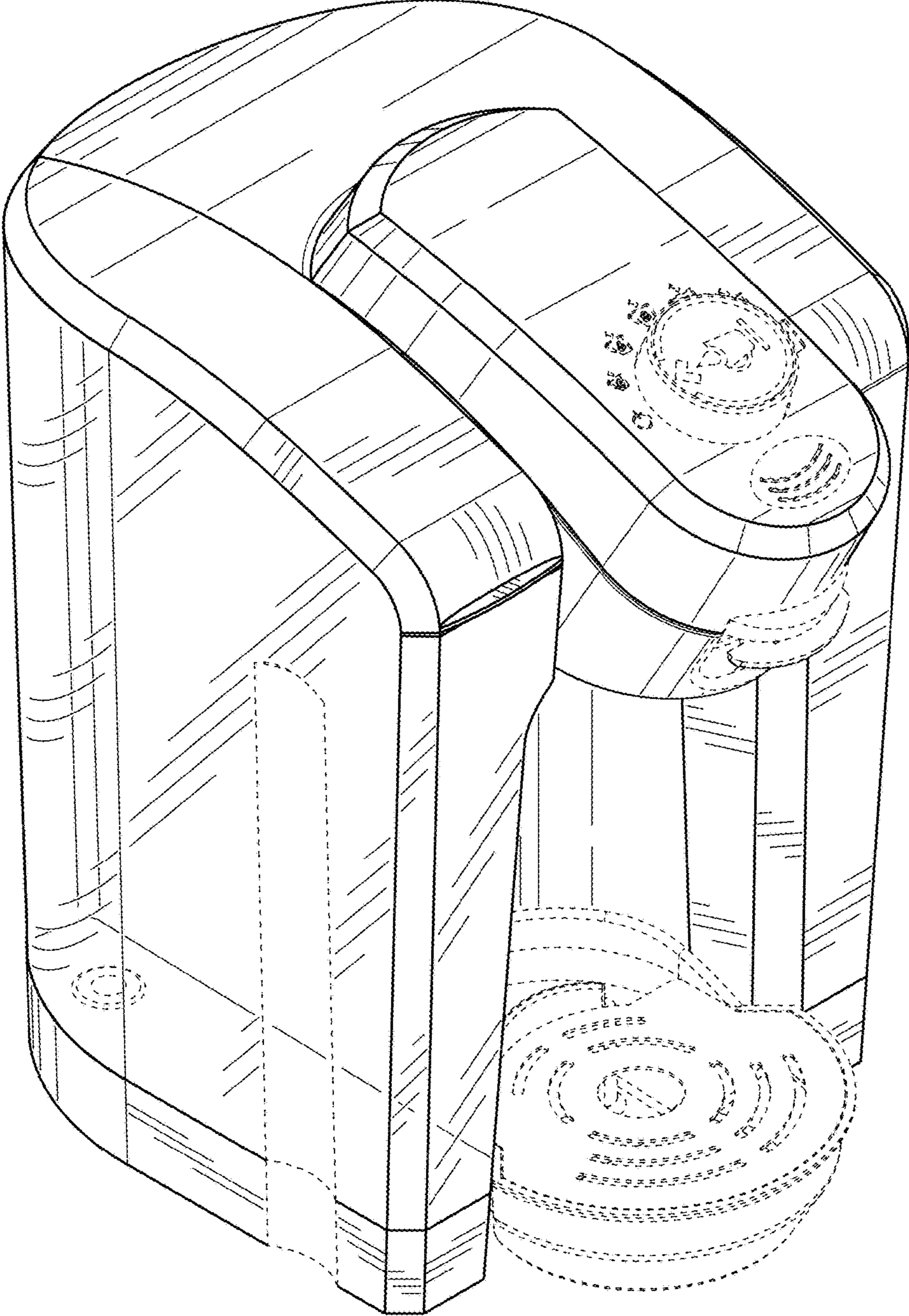


FIG. 1

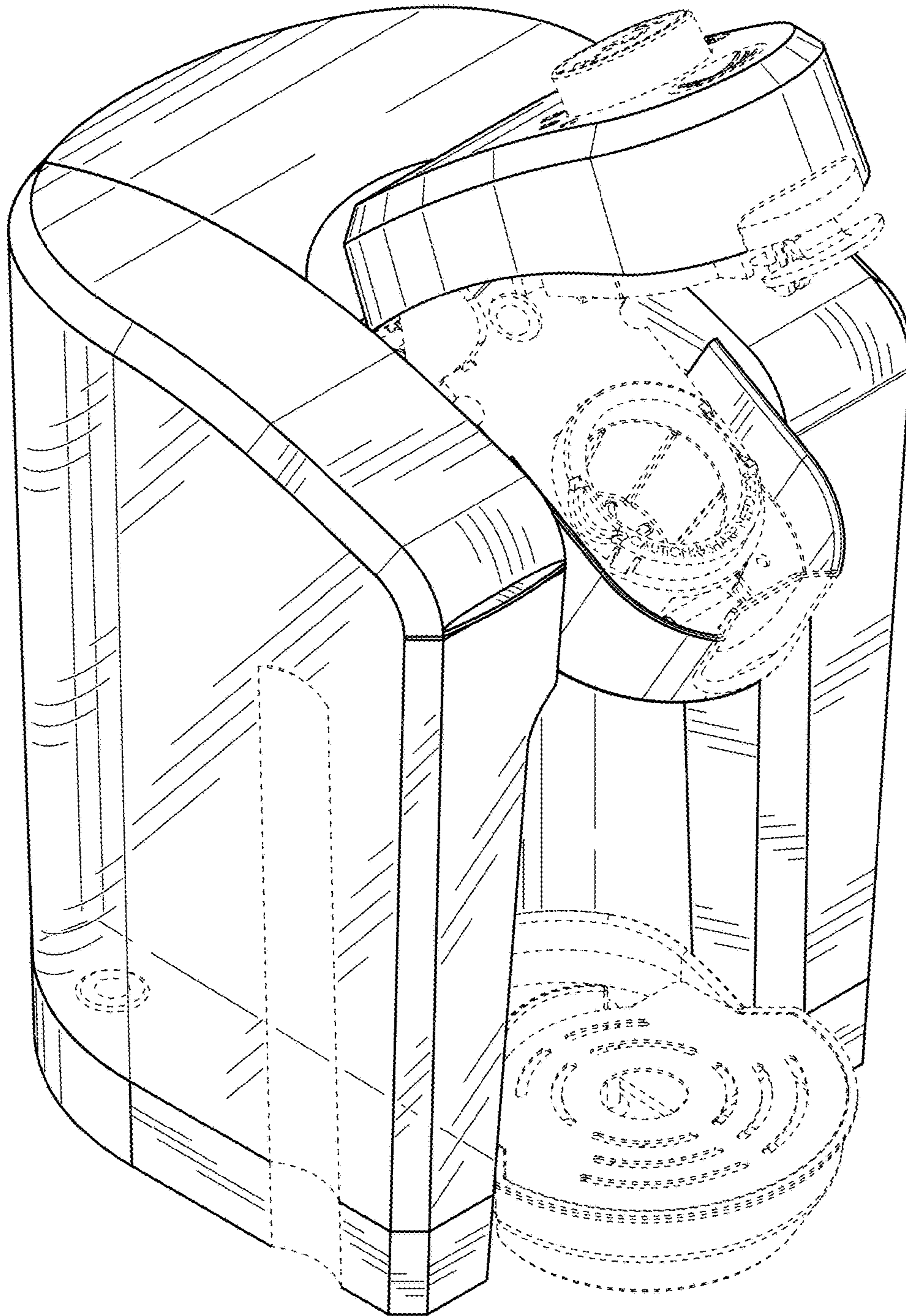


FIG. 2

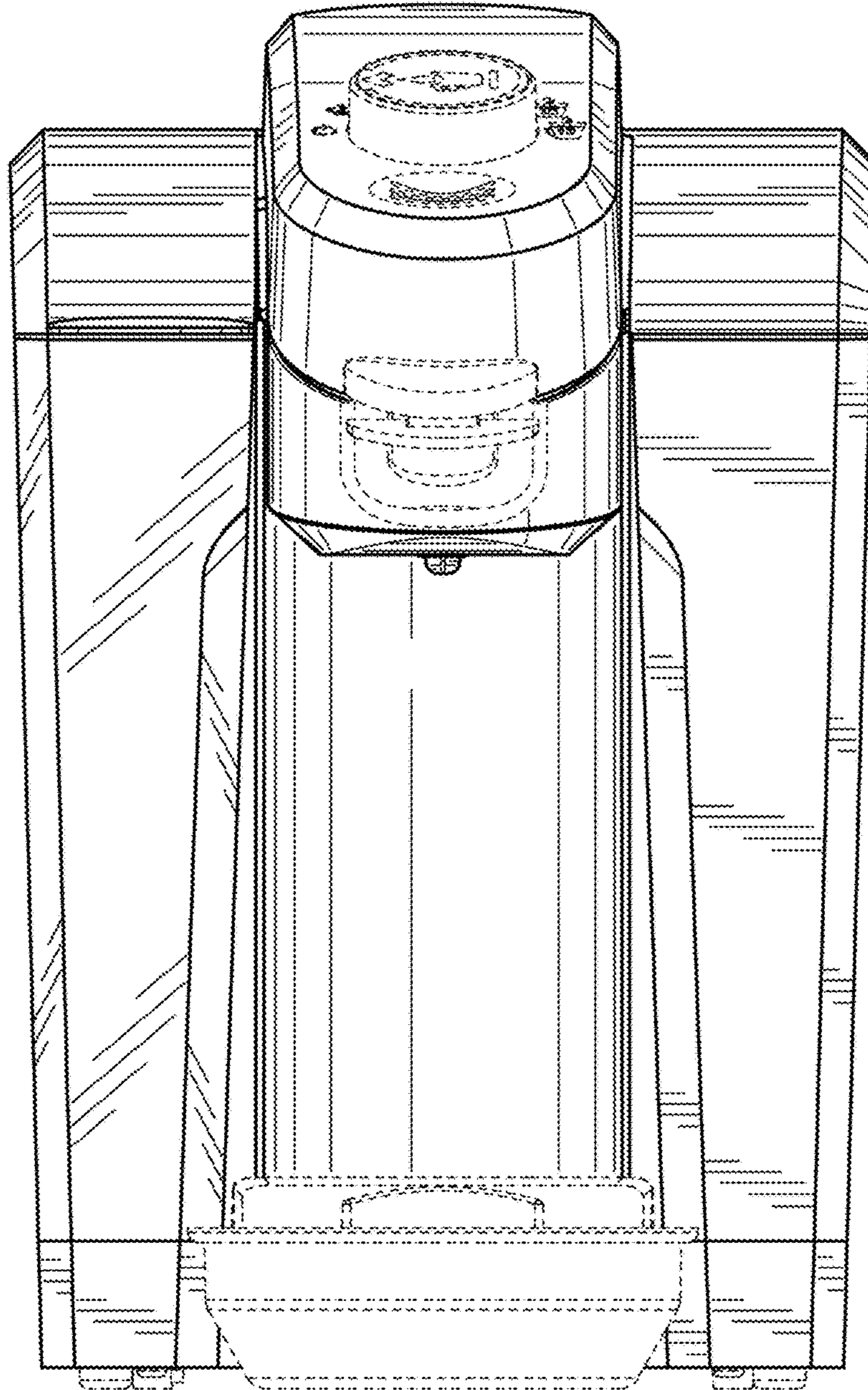


FIG. 3

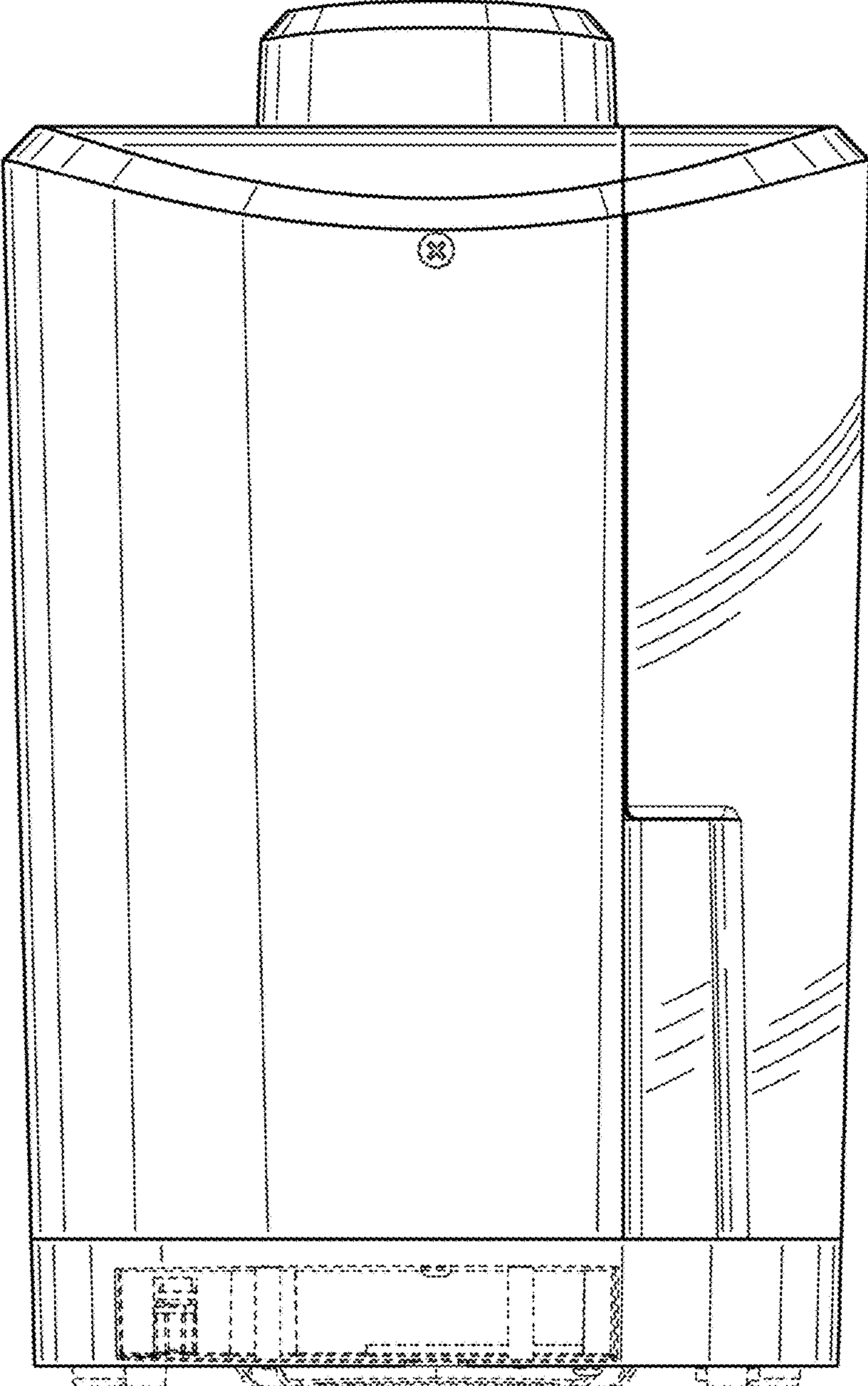


FIG. 4

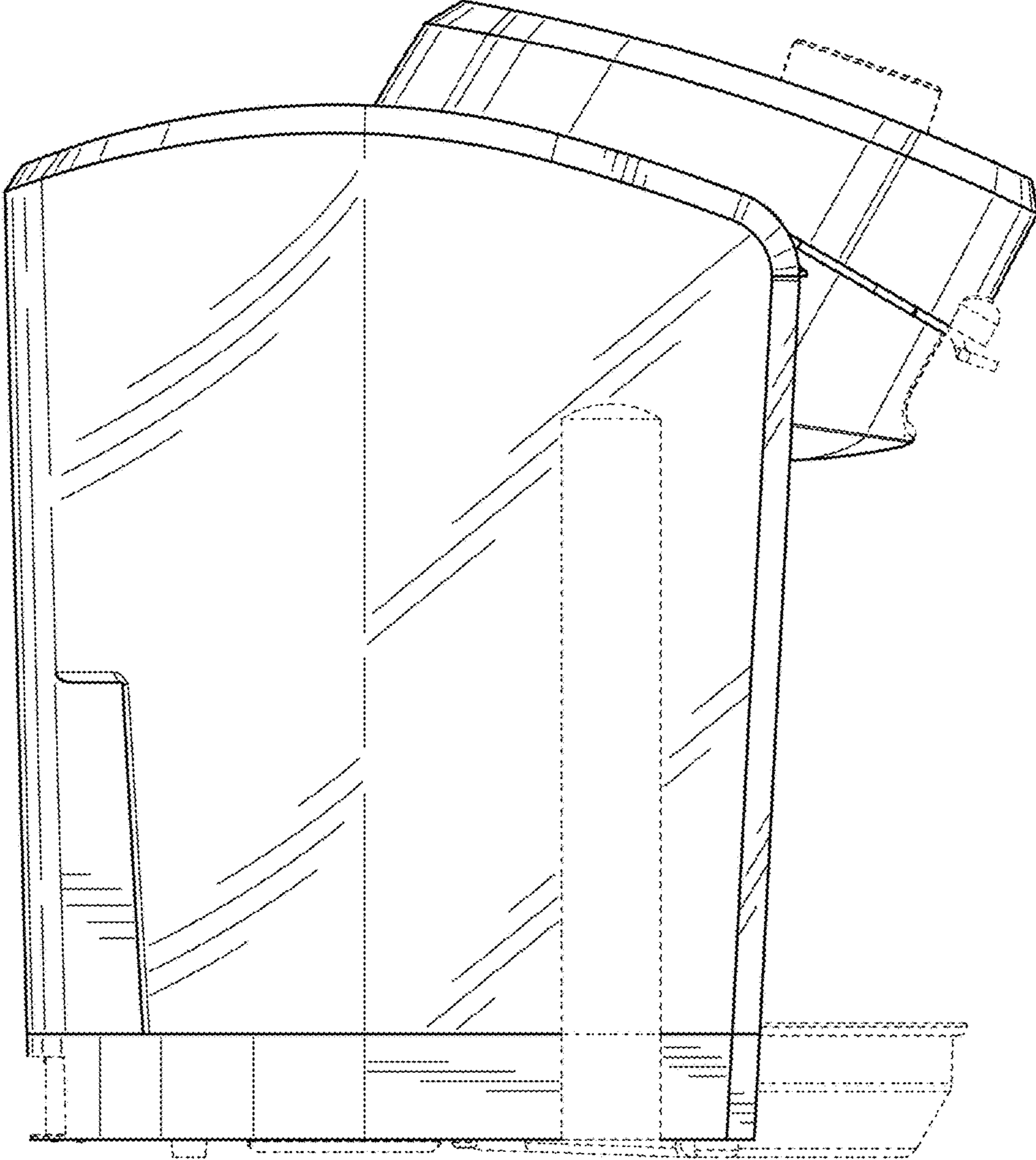


FIG. 5

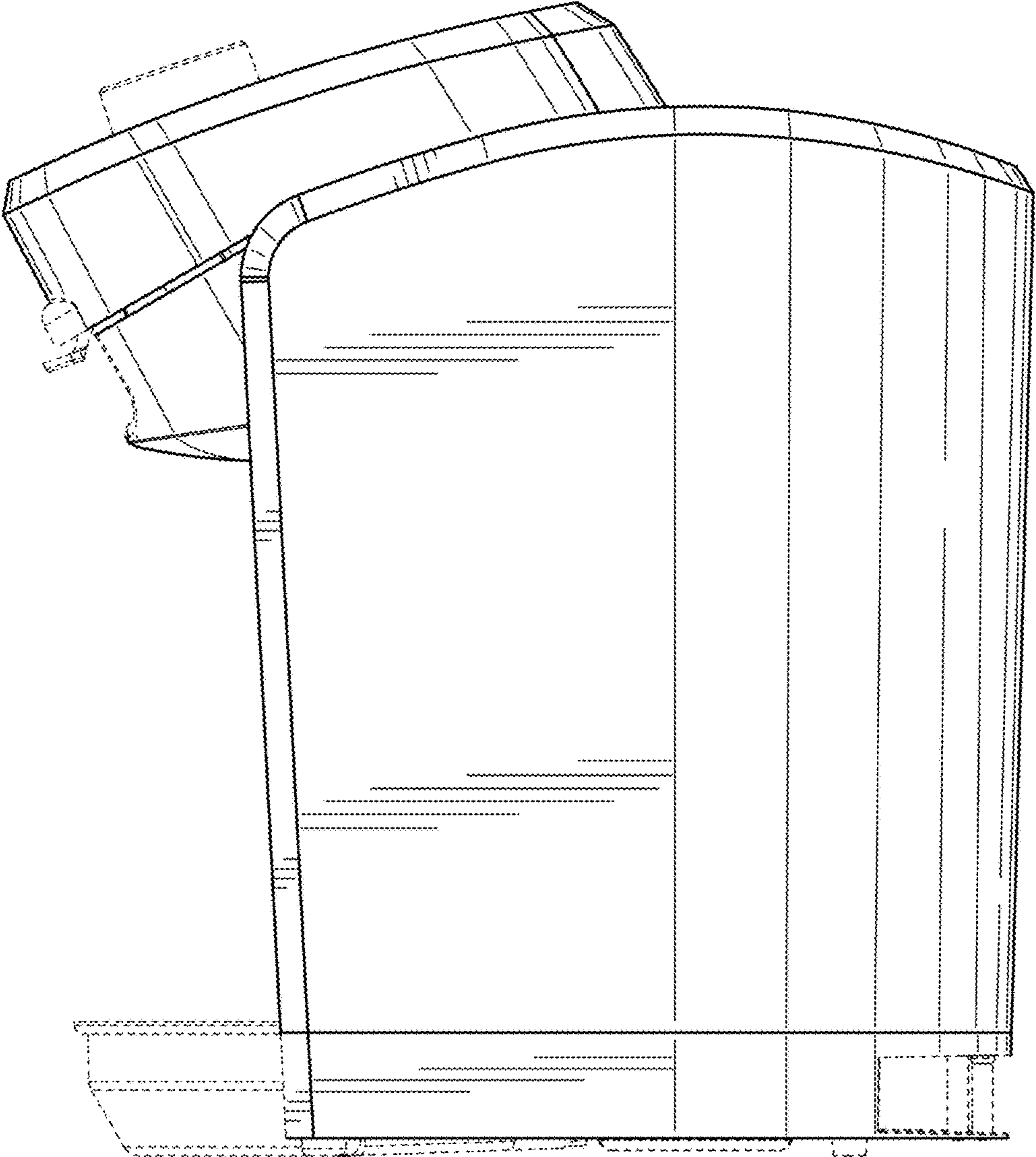


FIG. 6



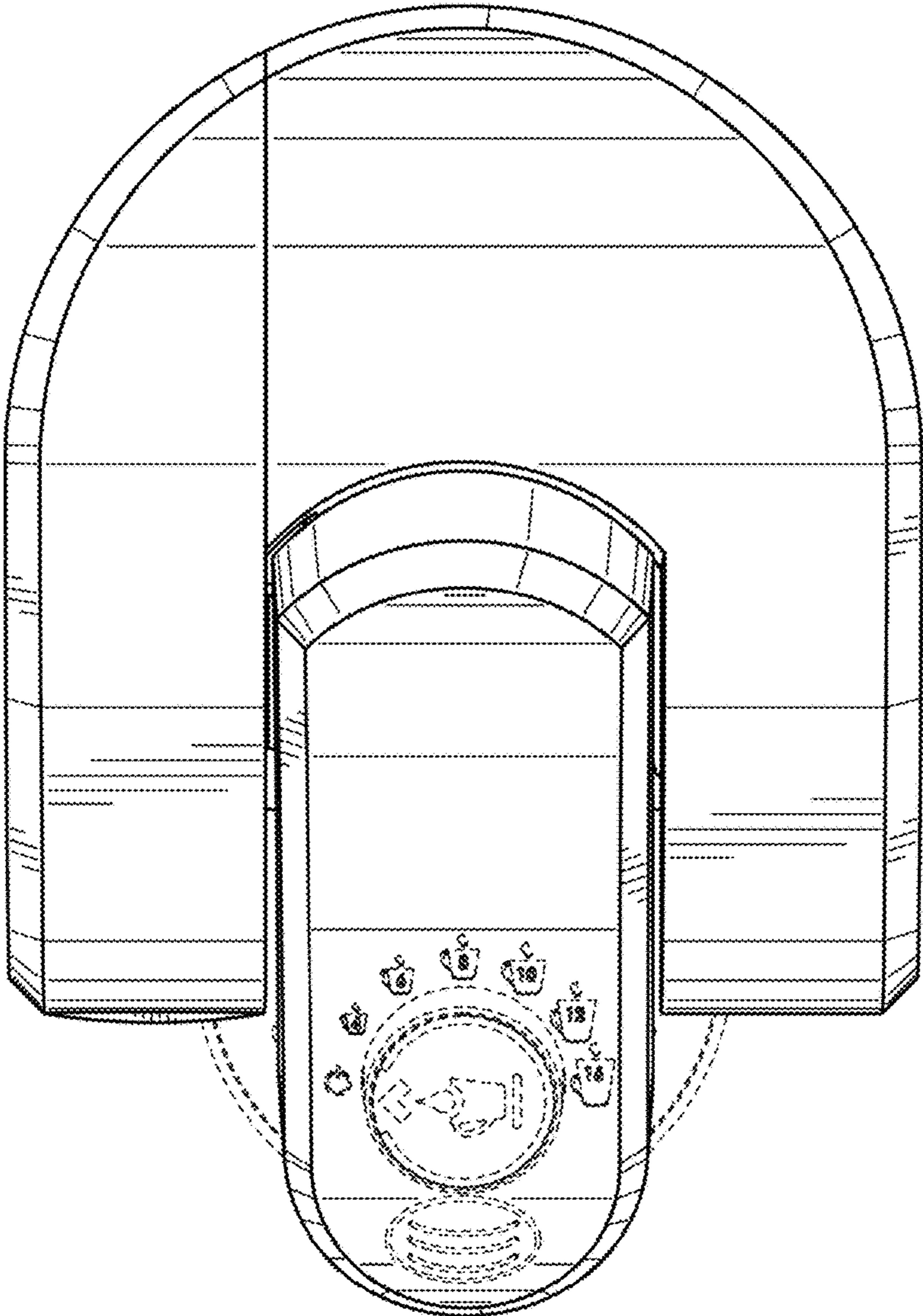


FIG. 7

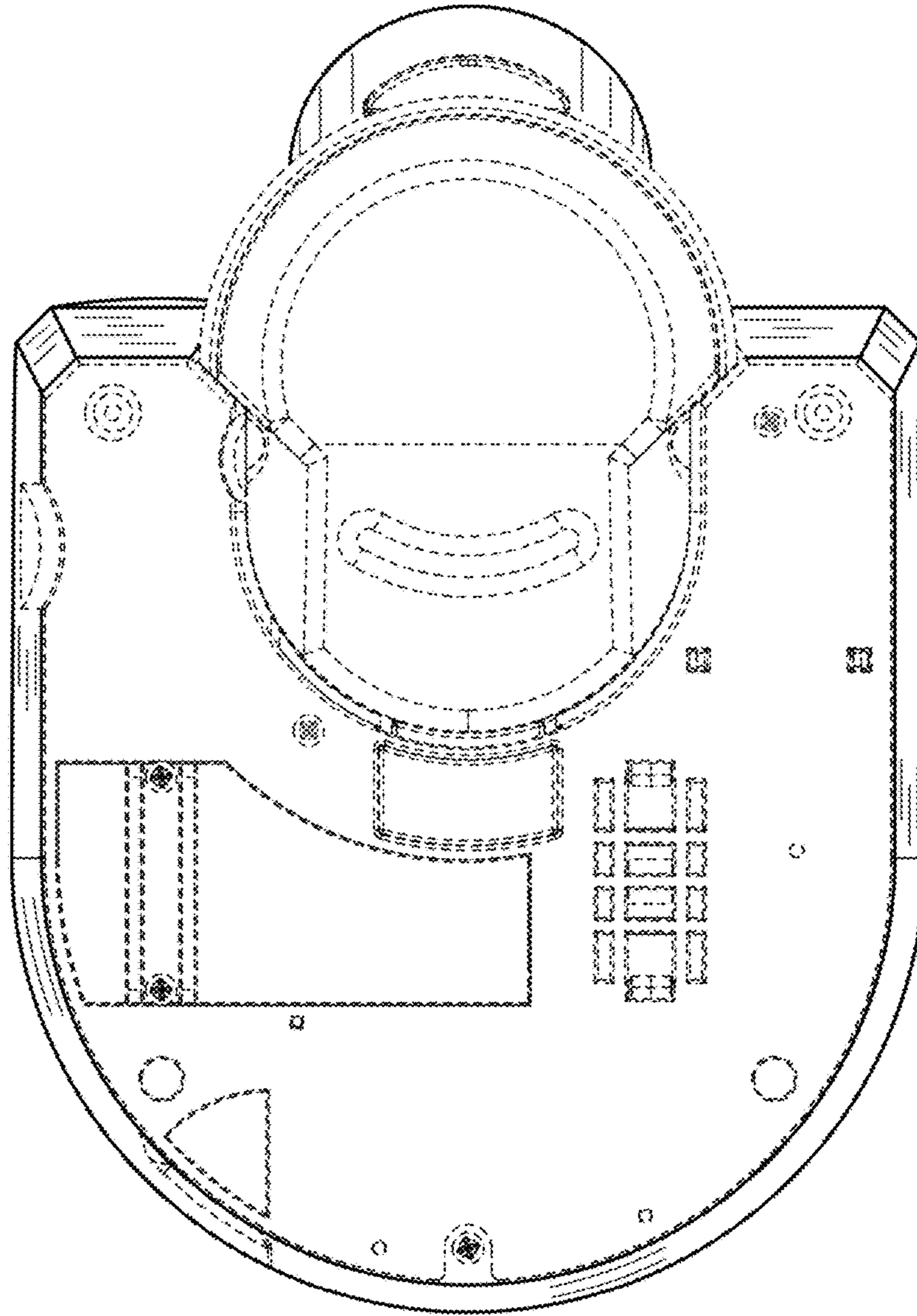


FIG. 8