



US00D803610S

(12) **United States Design Patent**
Jackow

(10) **Patent No.:** **US D803,610 S**

(45) **Date of Patent:** **** Nov. 28, 2017**

(54) **PORTABLE HEADREST**

(71) Applicant: **Kaz Julian Jackow**, Kailua Kona, HI (US)

(72) Inventor: **Kaz Julian Jackow**, Kailua Kona, HI (US)

(**) Term: **15 Years**

(21) Appl. No.: **29/583,305**

(22) Filed: **Nov. 3, 2016**

(51) **LOC (10) Cl.** **06-01**

(52) **U.S. Cl.**
USPC **D6/716.5**

(58) **Field of Classification Search**
USPC D6/334-336, 356, 364, 365, 367, 716, D6/716.4, 716.5
CPC B60N 2/48; B60N 2/4805; B60N 2/2851; B60N 2/4879; A47C 7/36; A47C 7/38; A47C 7/383; A47C 20/00; A47C 20/02; A01N 1/02

See application file for complete search history.

(56) **References Cited**

U.S. PATENT DOCUMENTS

4,440,443 A * 4/1984 Nordskog A47C 7/38 297/397
D343,080 S * 1/1994 Kentner D6/716.5

6,601,804 B2 * 8/2003 Bisch A47C 7/383 297/397
6,648,416 B2 11/2003 O'Connor et al.
D498,097 S * 11/2004 Schwyzer D6/716.5
7,080,886 B2 * 7/2006 Bauer A47C 7/38 297/217.6
8,931,836 B2 * 1/2015 Cheng B60N 2/2851 297/216.11
9,150,130 B2 10/2015 Jackow
9,226,587 B2 * 1/2016 Halimi A47C 7/383
9,498,056 B1 * 11/2016 Mills A47C 7/383
9,656,581 B2 * 5/2017 Brecht B60N 2/4879

* cited by examiner

Primary Examiner — Mimosa De

(74) *Attorney, Agent, or Firm* — Mastrogiacomo PLLC

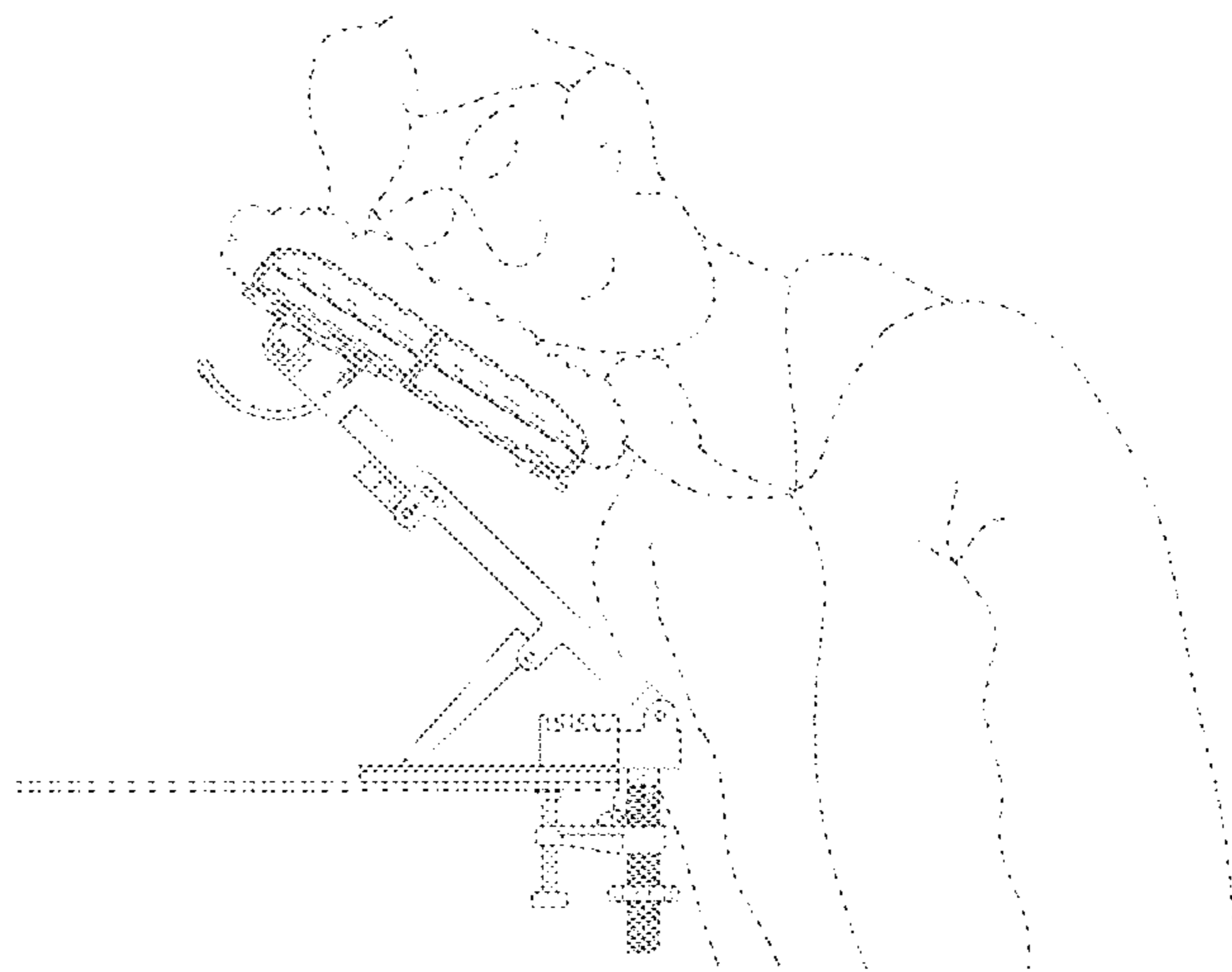
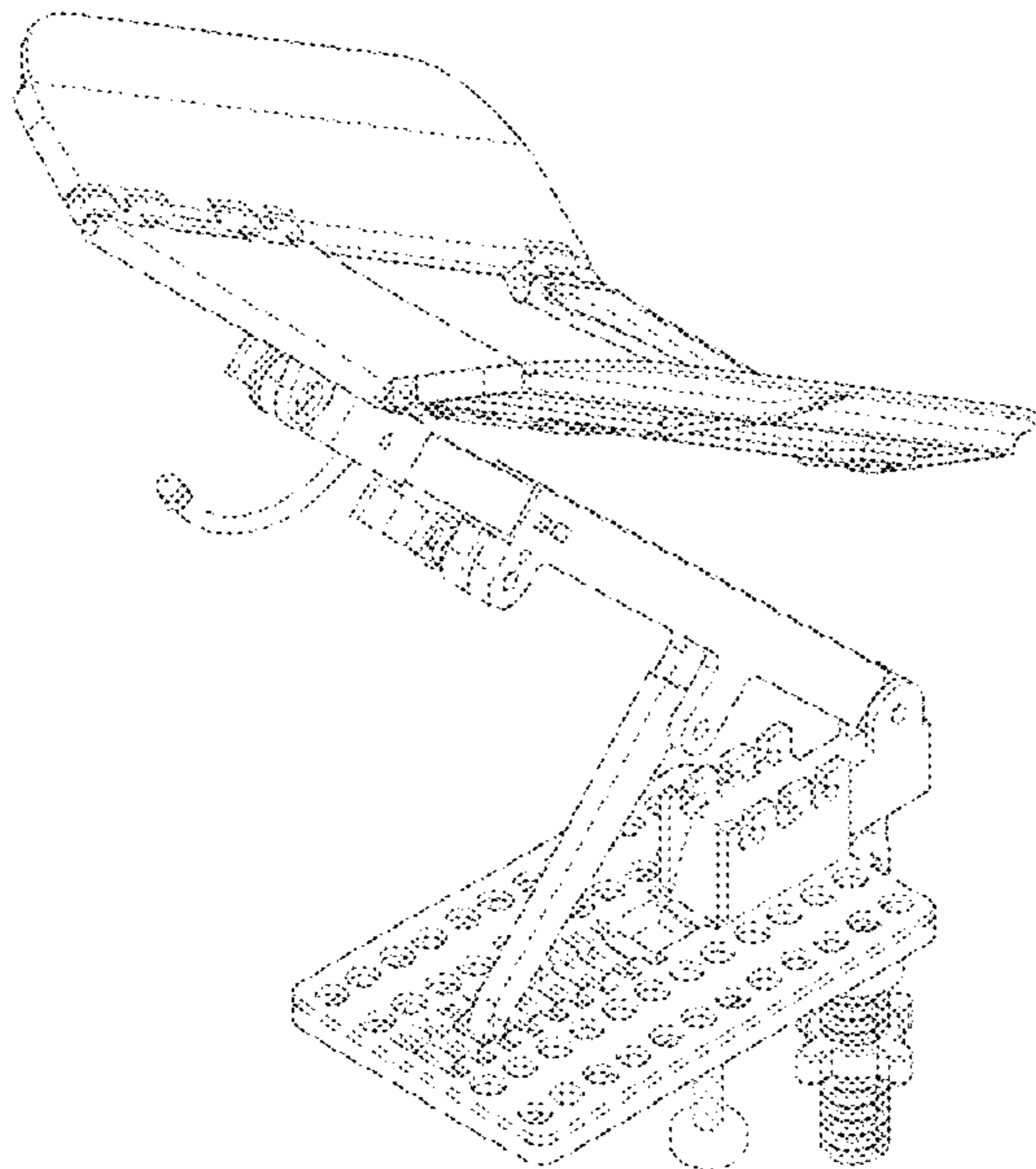
(57) **CLAIM**

The ornamental design for a portable headrest, as shown and described.

DESCRIPTION

FIG. 1 is a perspective view of a portable headrest;
FIG. 2 is a first side view of the portable headrest;
FIG. 3 is a second side view of the portable headrest;
FIG. 4 is top view of the portable headrest;
FIG. 5 is a bottom view of the portable headrest;
FIG. 6 is a front view of the portable headrest;
FIG. 7 is a rear view of the portable headrest; and,
FIG. 8 is another first side view of the portable headrest.

1 Claim, 8 Drawing Sheets



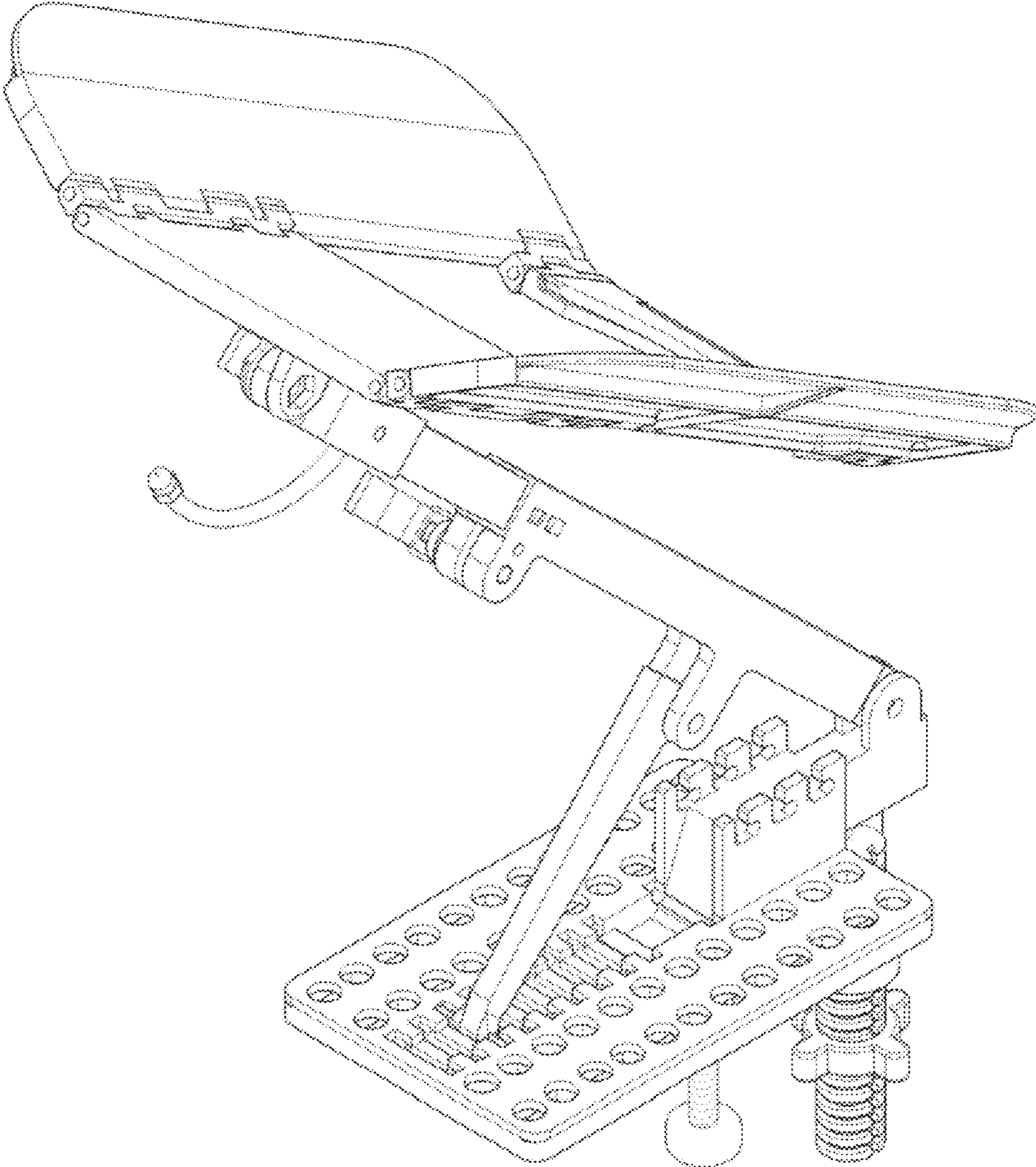


FIG. 1

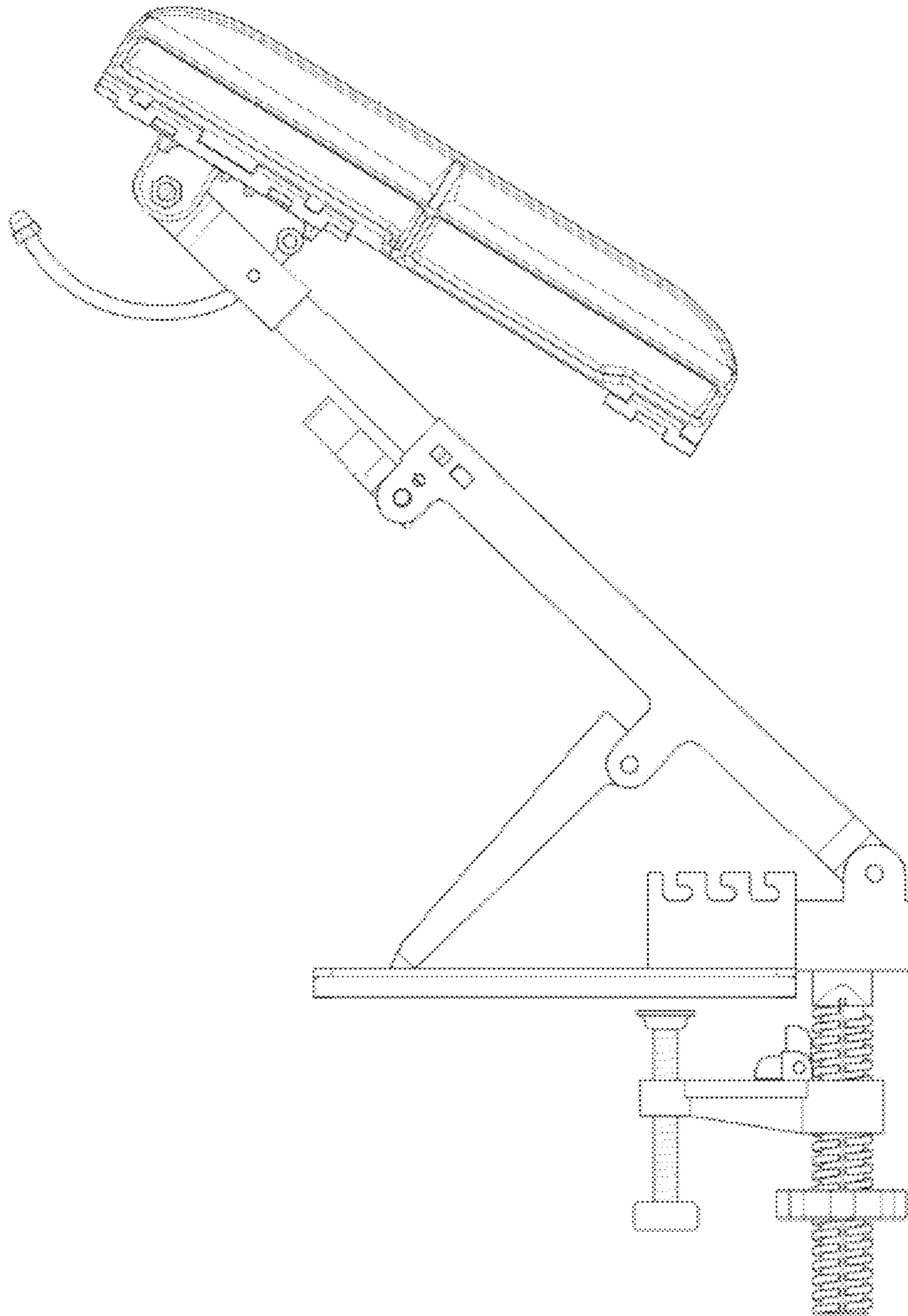


FIG. 2

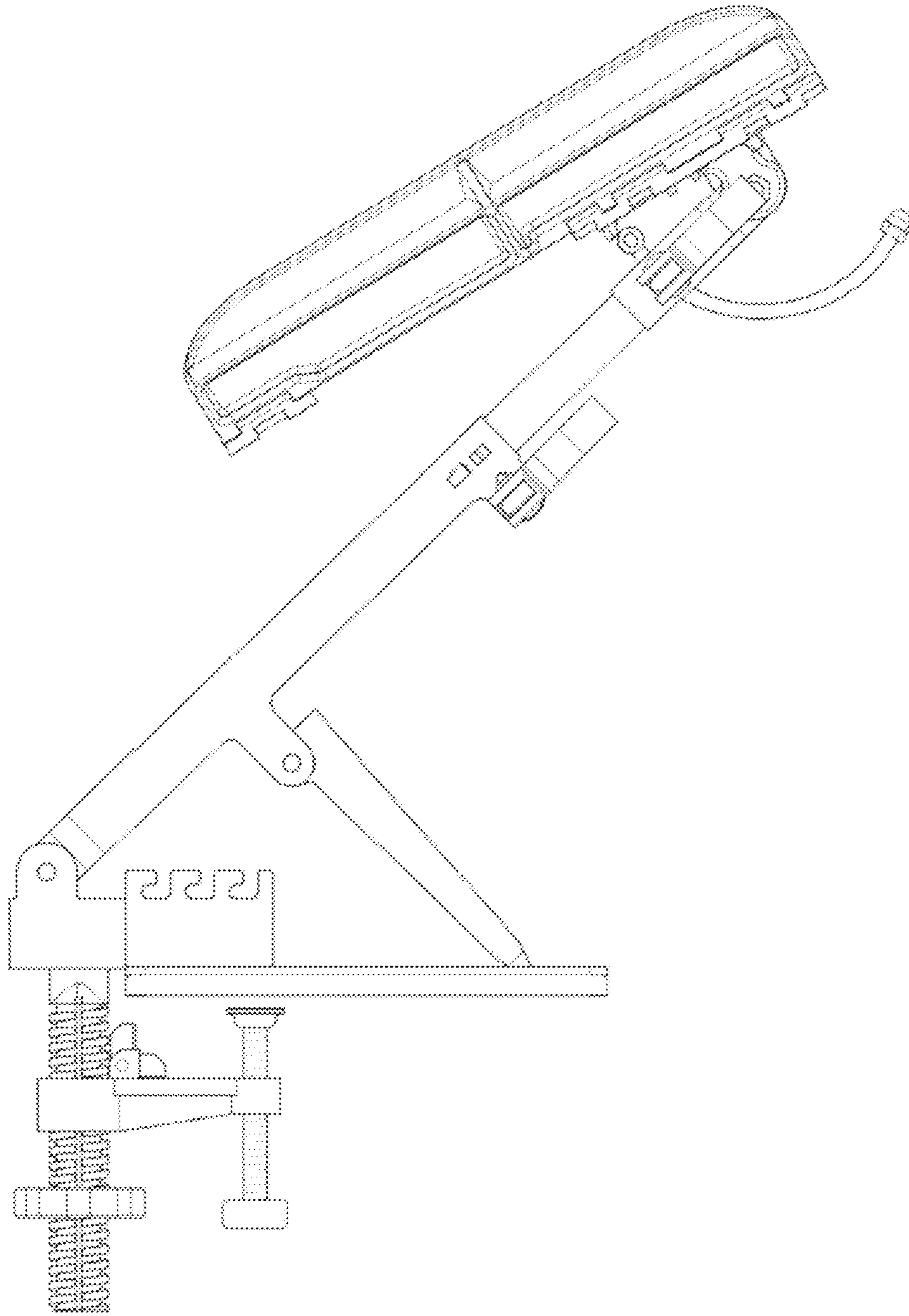


FIG. 3

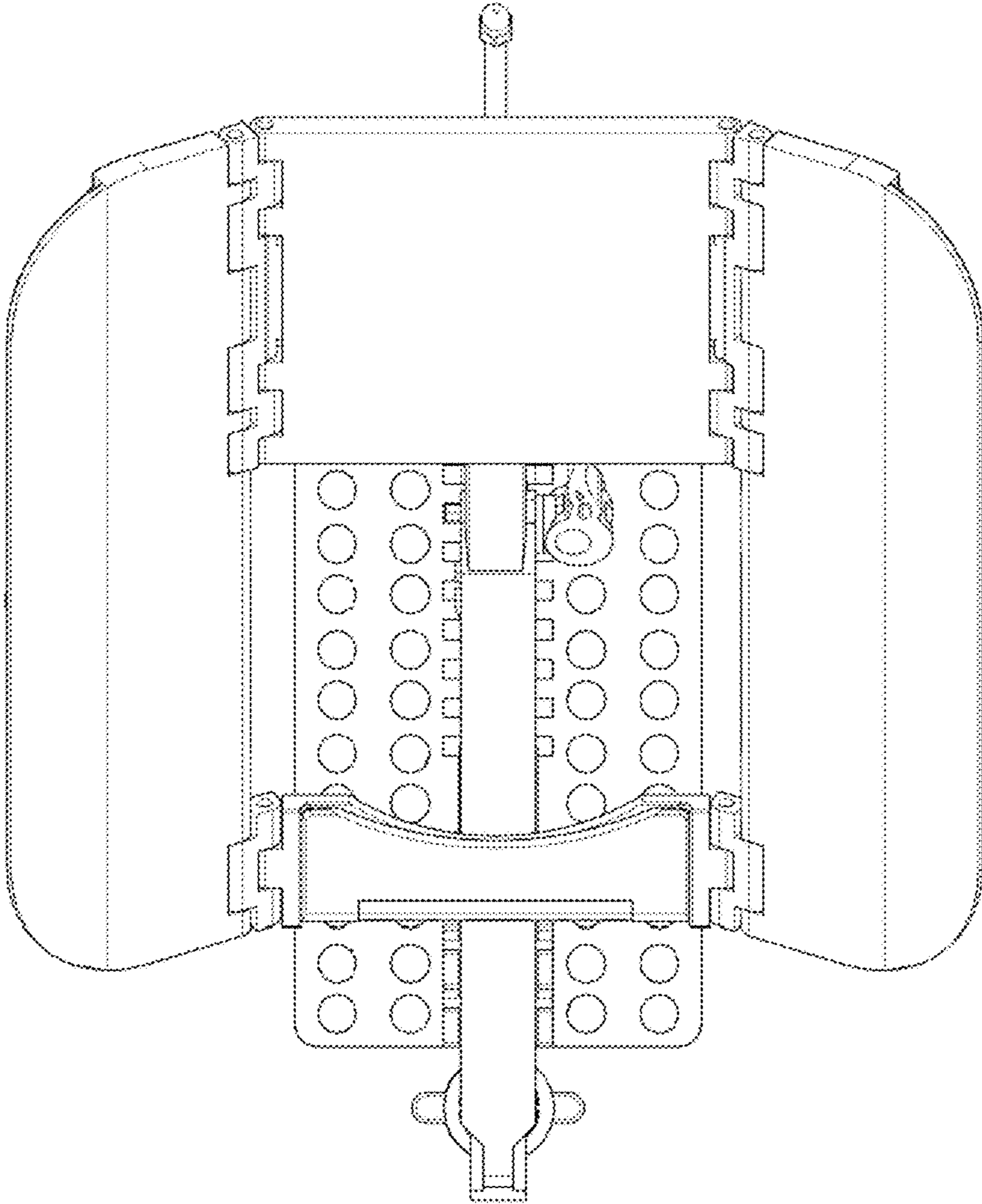


FIG. 4

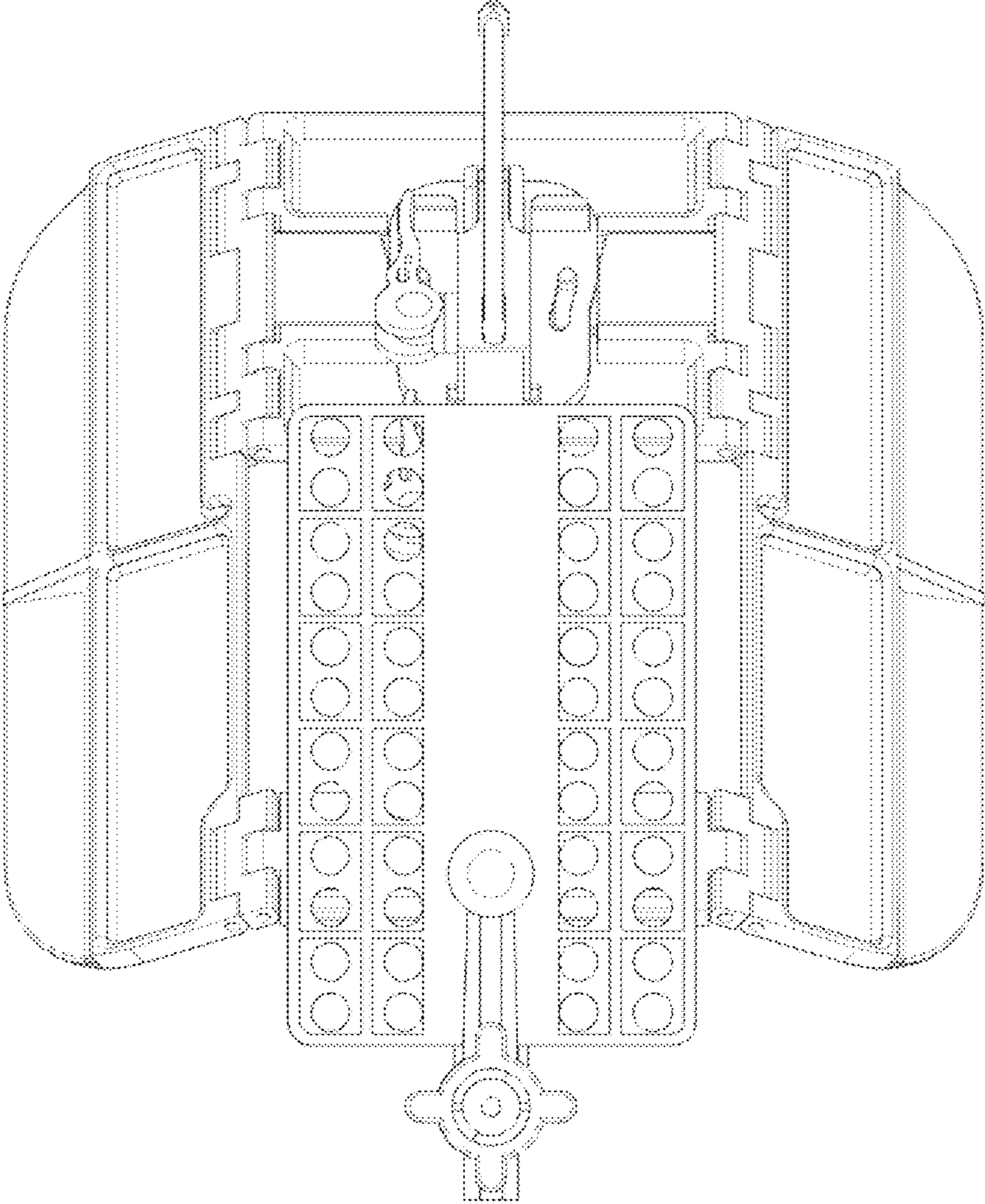


FIG. 5

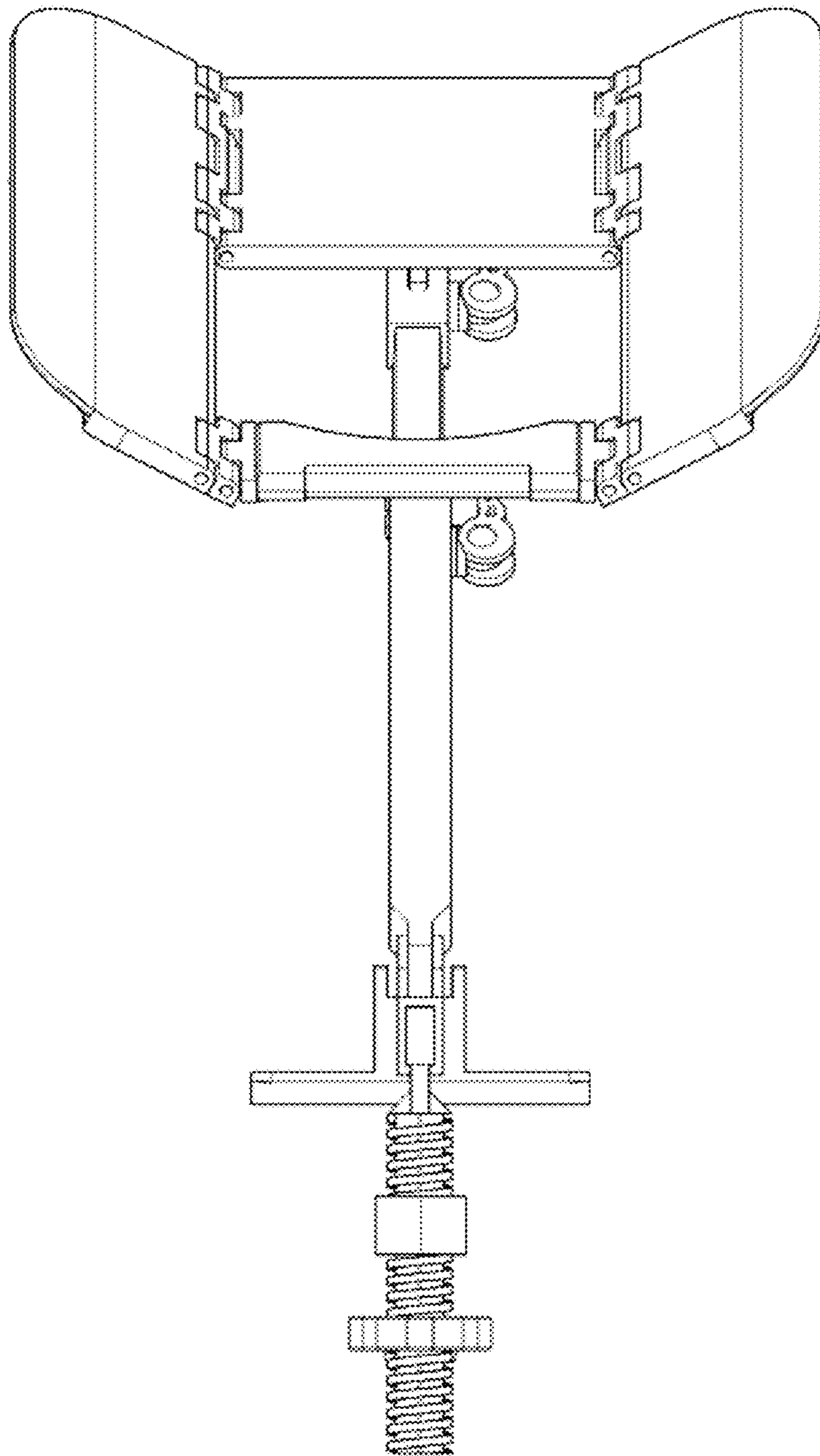


FIG. 6

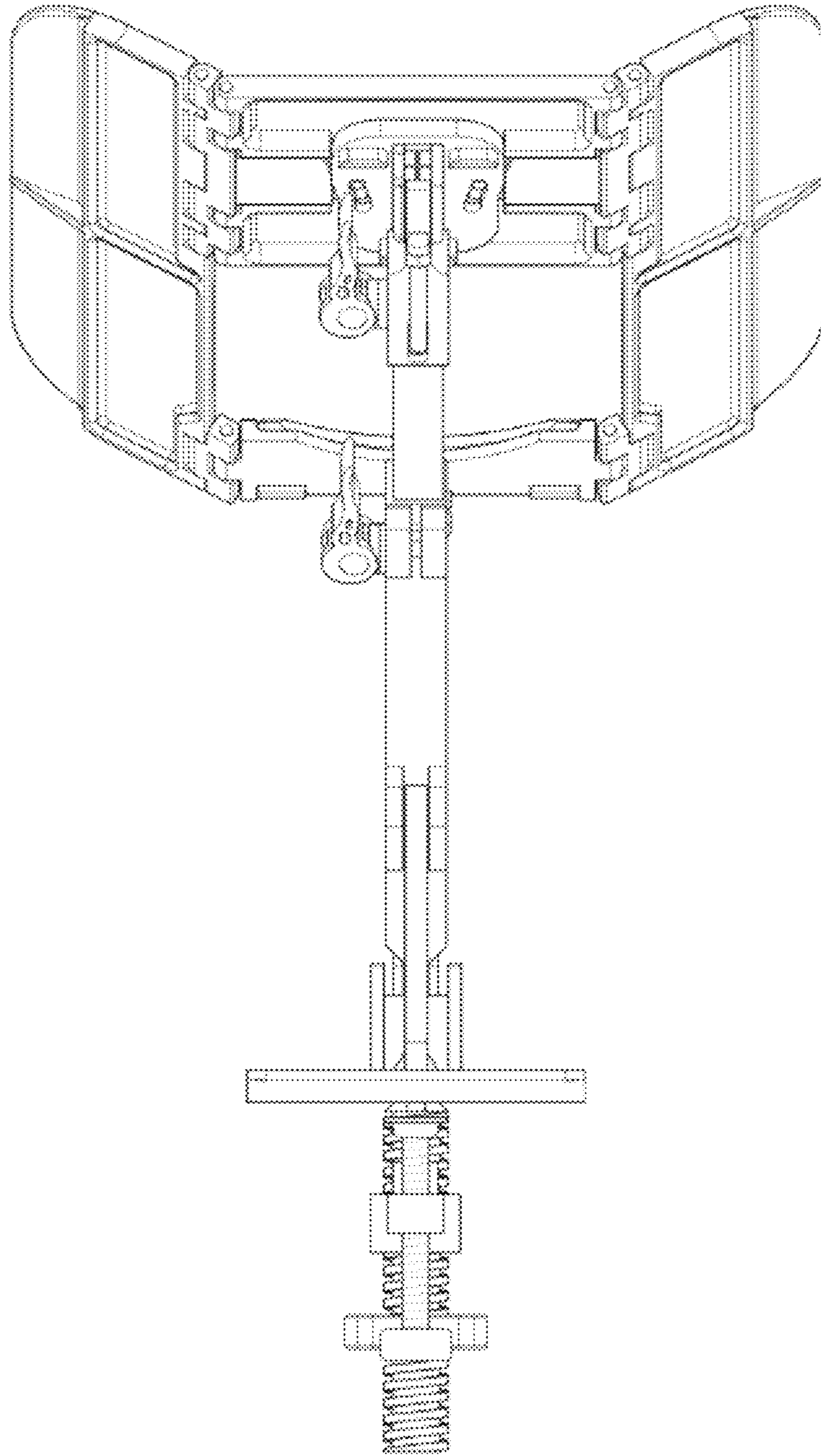


FIG. 7

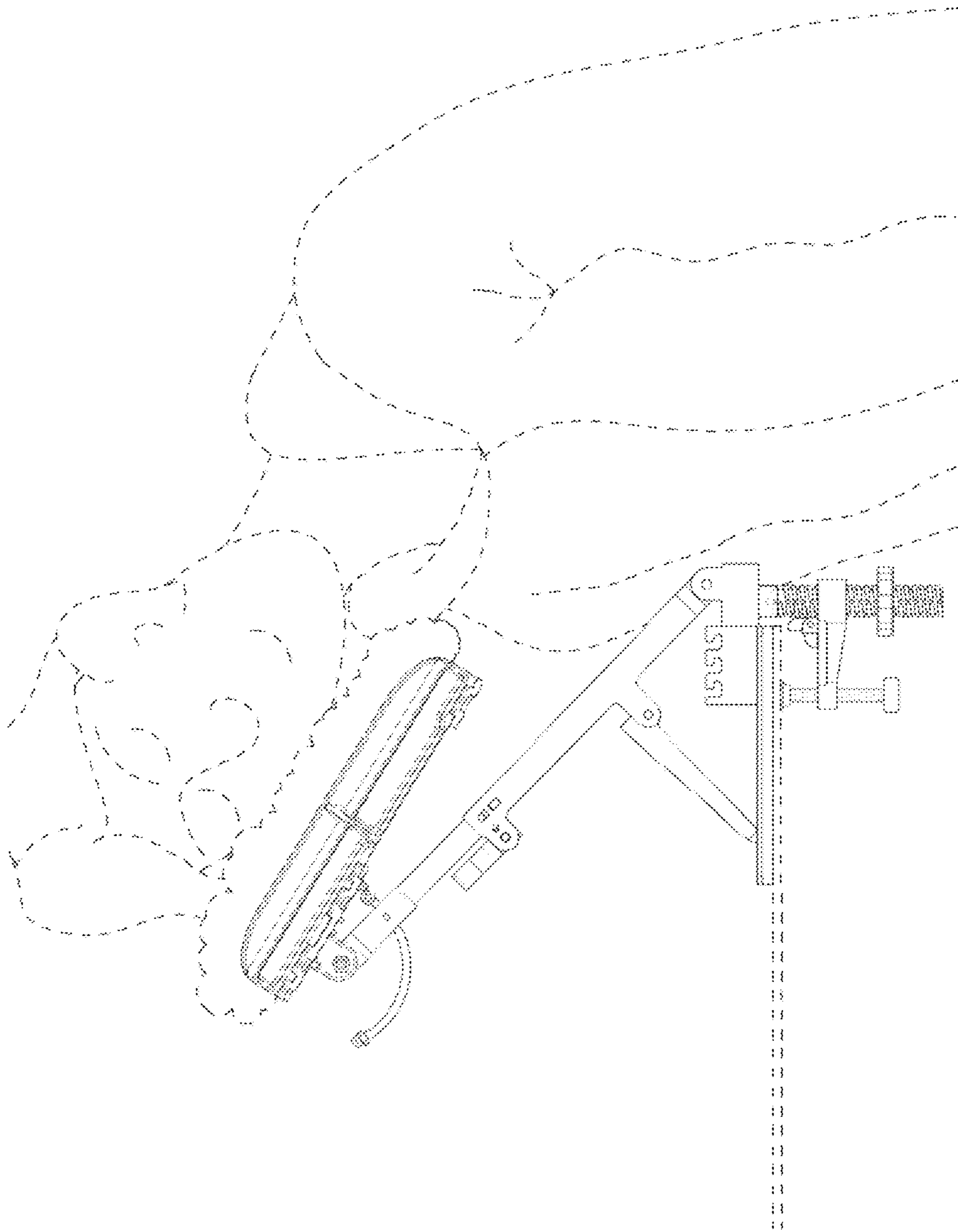


FIG. 8