



US00D803609S

(12) **United States Design Patent**  
**Guelfo**

(10) **Patent No.:** **US D803,609 S**

(45) **Date of Patent:** **\*\* Nov. 28, 2017**

(54) **CHAIR**

(71) Applicant: **OKAMURA CORPORATION**,  
Yokohama-shi, Kanagawa (JP)

(72) Inventor: **Nicola Guelfo**, Turin (IT)

(73) Assignee: **Okamura Corporation**, Yokohama-shi,  
Kanagawa (JP)

(\*\*) Term: **15 Years**

(21) Appl. No.: **29/586,501**

(22) Filed: **Dec. 5, 2016**

(30) **Foreign Application Priority Data**

Jun. 6, 2016 (JP) ..... 2016-011967

(51) **LOC (10) Cl.** ..... **06-01**

(52) **U.S. Cl.**  
USPC ..... **D6/716.2; D6/366**

(58) **Field of Classification Search**  
USPC ..... D6/334-336, 364, 365, 366, 379, 380,  
D6/716, 716.1, 716.2, 716.4  
CPC .... A47C 7/38; A47C 7/40; A47C 7/46; A47C  
7/022; A47C 7/282; A47C 4/028; A47C  
7/54; A47C 7/004; B60N 2/66  
See application file for complete search history.

(56) **References Cited**

**U.S. PATENT DOCUMENTS**

D442,790 S \* 5/2001 Simons, Jr. .... D6/366  
D442,791 S \* 5/2001 Simons, Jr. .... D6/366  
D471,024 S \* 3/2003 Chadwick ..... D6/366  
D487,359 S \* 3/2004 Giugiaro ..... D6/366

D489,542 S \* 5/2004 Giugiaro ..... D6/366  
D492,130 S \* 6/2004 Tai ..... D6/366  
D557,950 S \* 12/2007 Lu ..... D6/716.2  
D606,345 S \* 12/2009 Tsai ..... D6/716.2  
D649,795 S \* 12/2011 Izawa ..... D6/366  
D652,223 S \* 1/2012 Fujita ..... D6/366  
D706,047 S \* 6/2014 Giugiaro ..... D6/366  
D707,459 S \* 6/2014 Ma ..... D6/366  
D733,445 S \* 7/2015 Izawa ..... D6/366

\* cited by examiner

*Primary Examiner* — Mimoso De

(74) *Attorney, Agent, or Firm* — Sughrue Mion, PLLC

(57) **CLAIM**

The ornamental design for a chair, as shown and described.

**DESCRIPTION**

FIG. 1 is a front perspective view of a chair.  
FIG. 2 is a rear perspective view thereof.  
FIG. 3 is a front elevation view thereof.  
FIG. 4 is a rear elevation view thereof.  
FIG. 5 is a right side elevation view thereof.  
FIG. 6 is a left side elevation view thereof.  
FIG. 7 is a top plan view thereof; and,  
FIG. 8 is a bottom plan view thereof.  
The broken lines shown in the drawings illustrate portions of the chair that form no part of the claimed design. The dot-dash lines show an unclaimed boundary which forms no part of the claimed design. The backrest sheet and the seat of the chair are made of mesh and the mesh pattern of the backrest sheet and the seat forms no part of the claimed design.

**1 Claim, 8 Drawing Sheets**

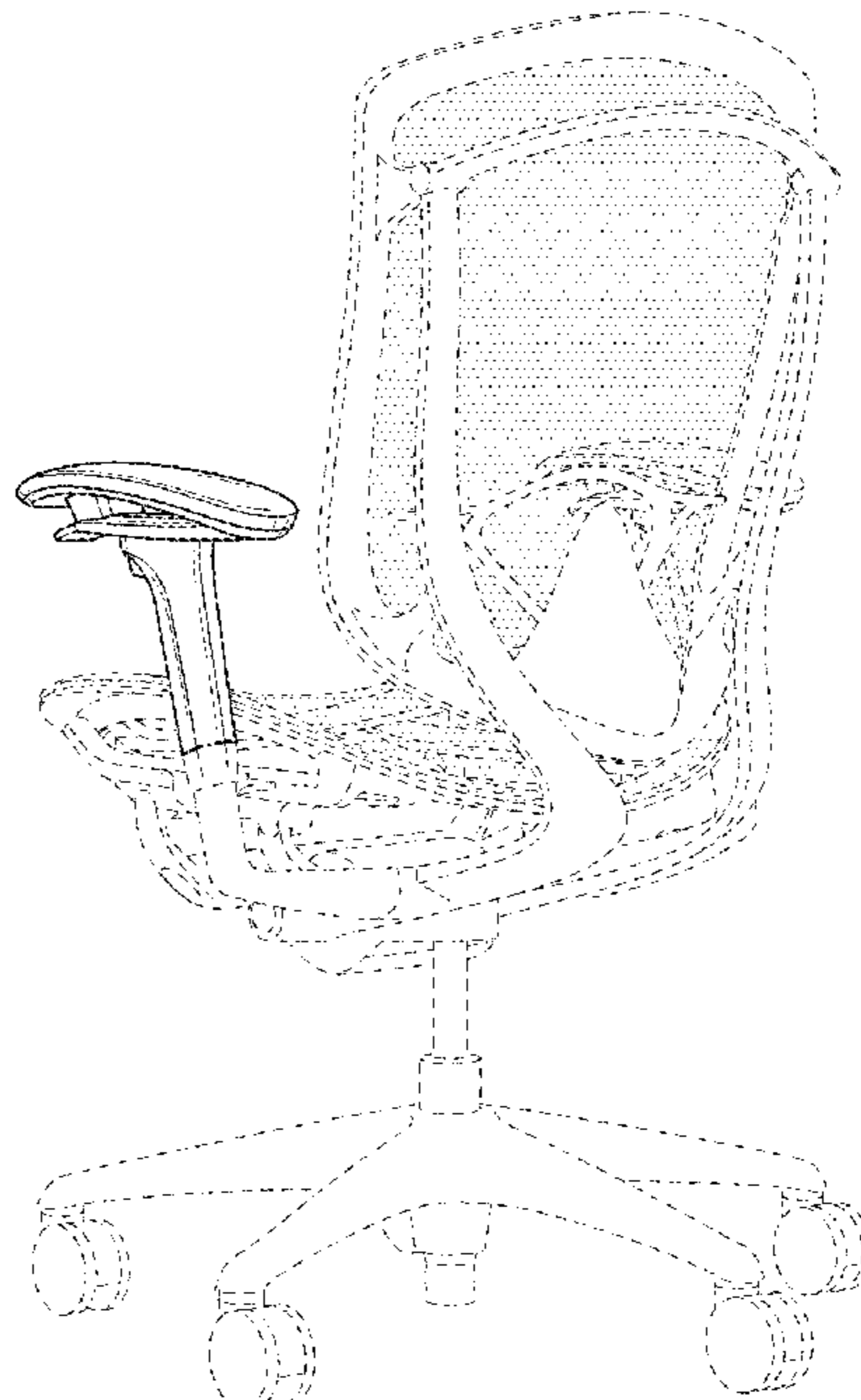
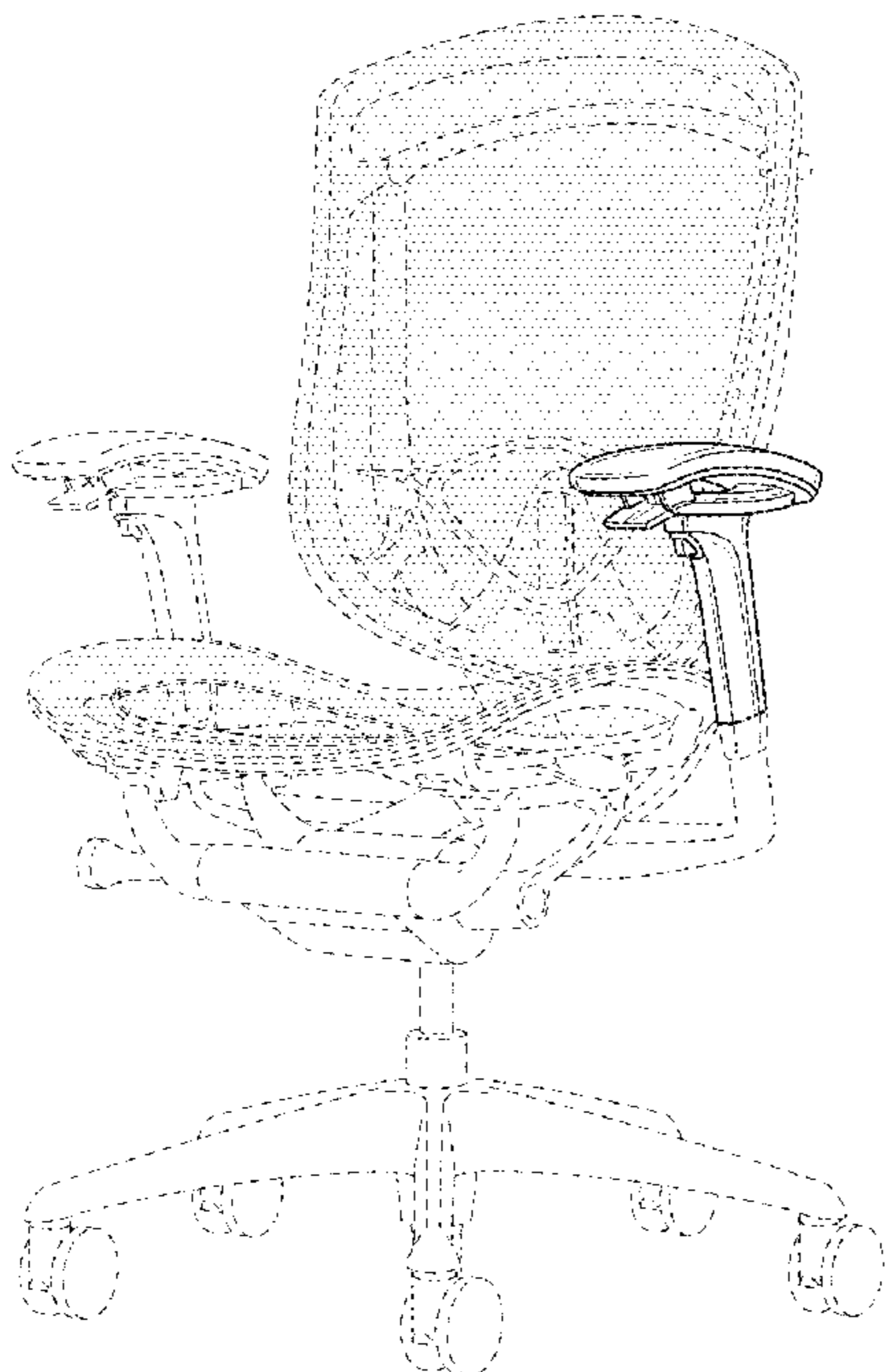


FIG. 1

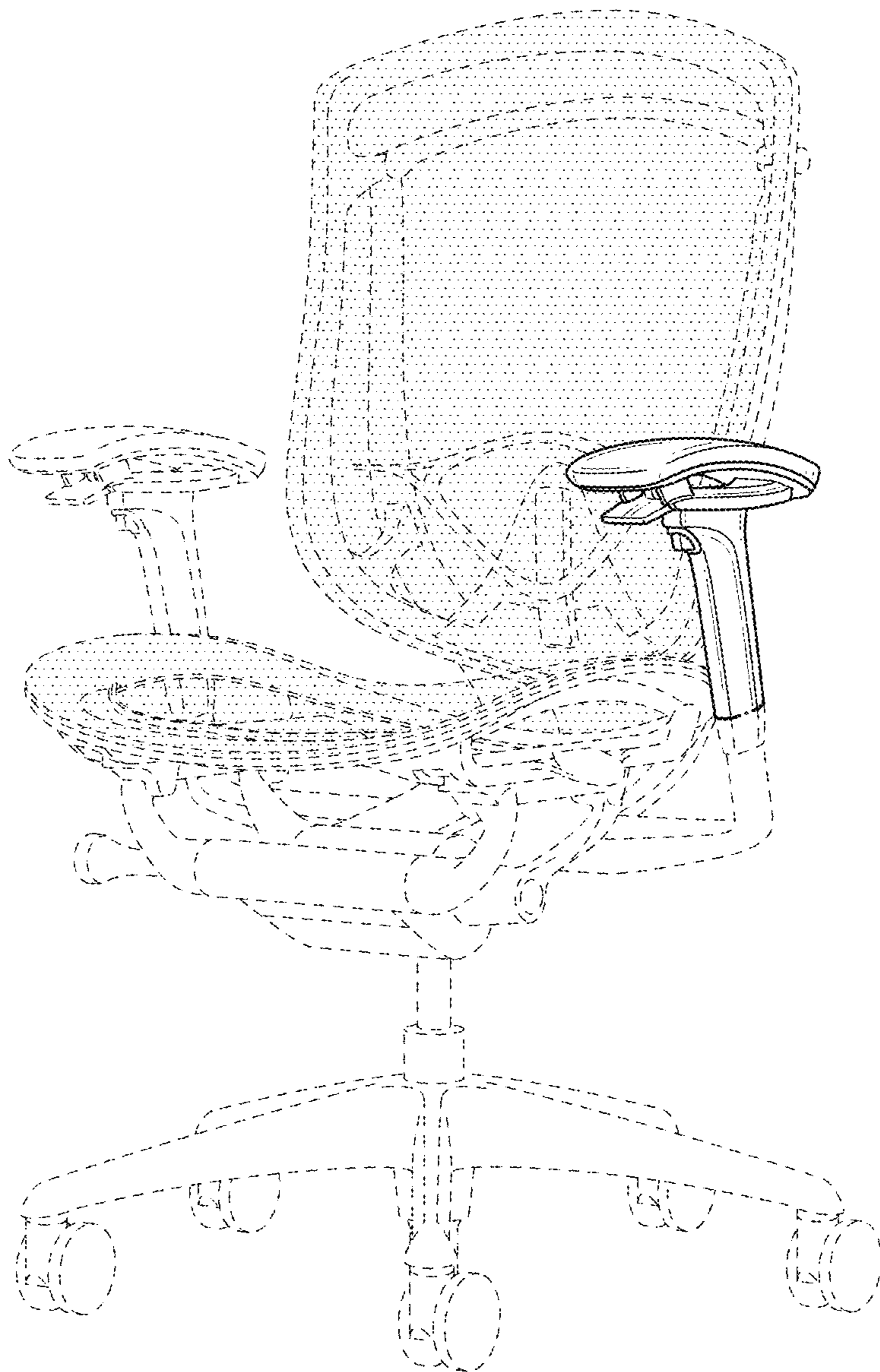


FIG. 2

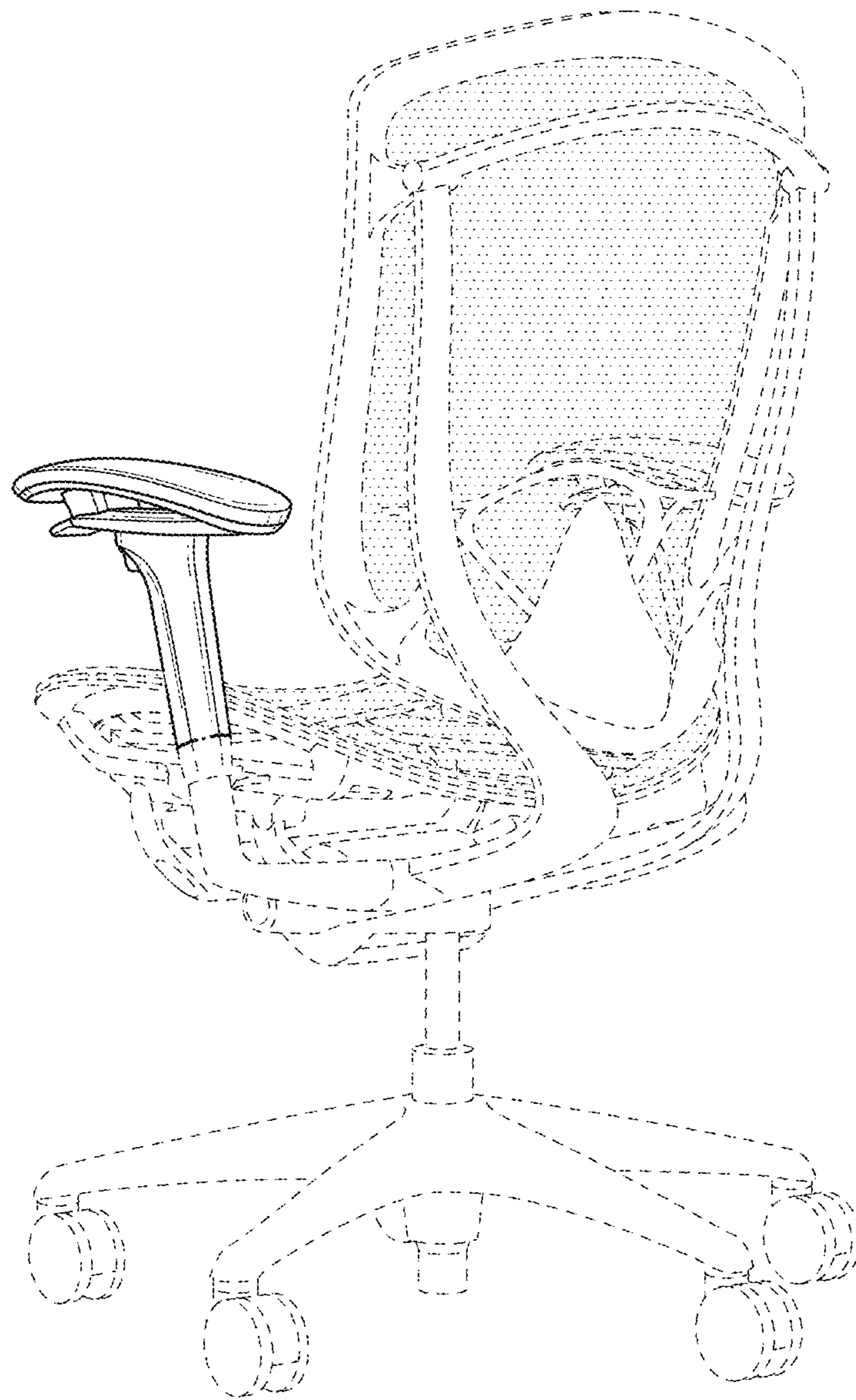




FIG. 3

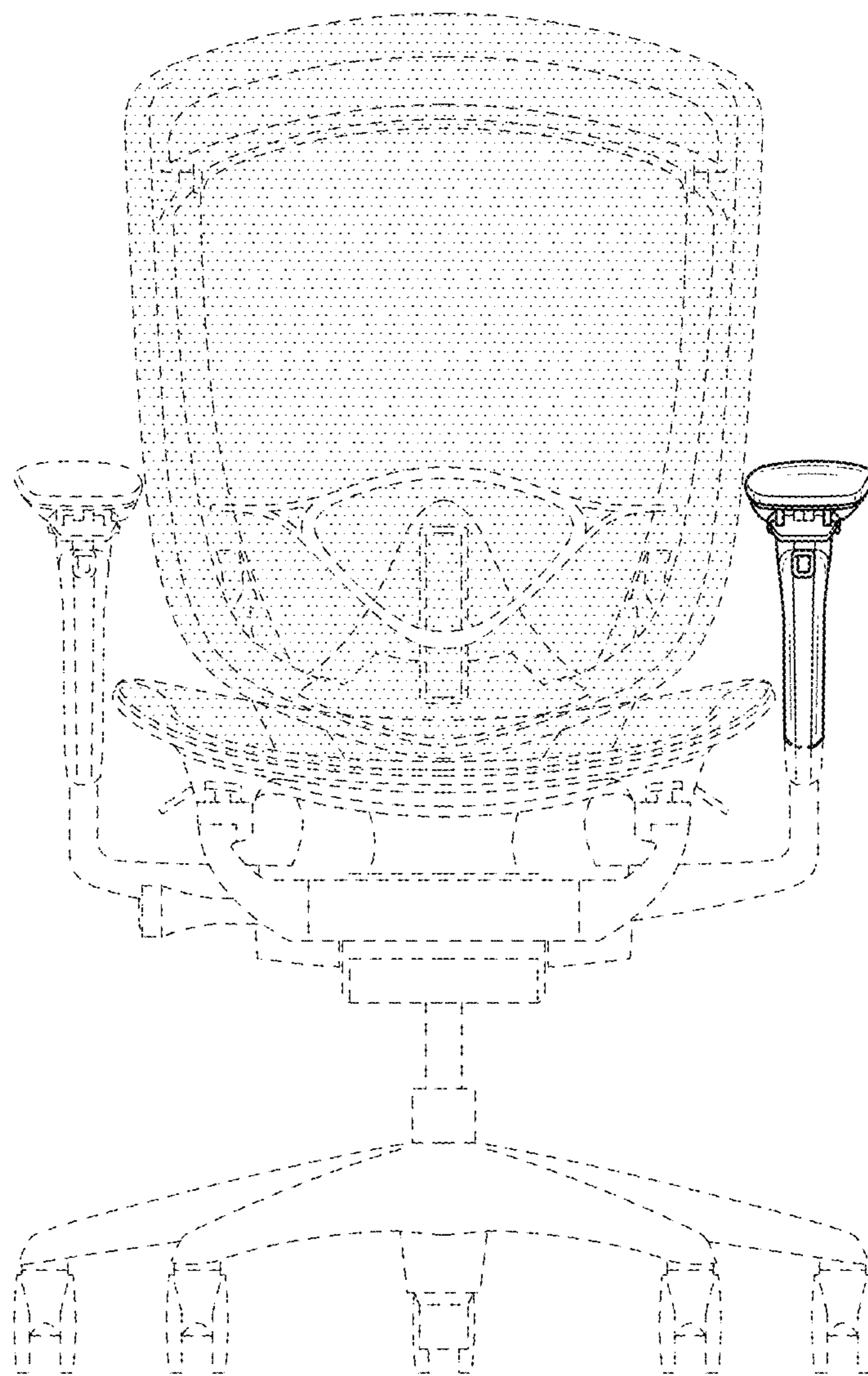


FIG. 4

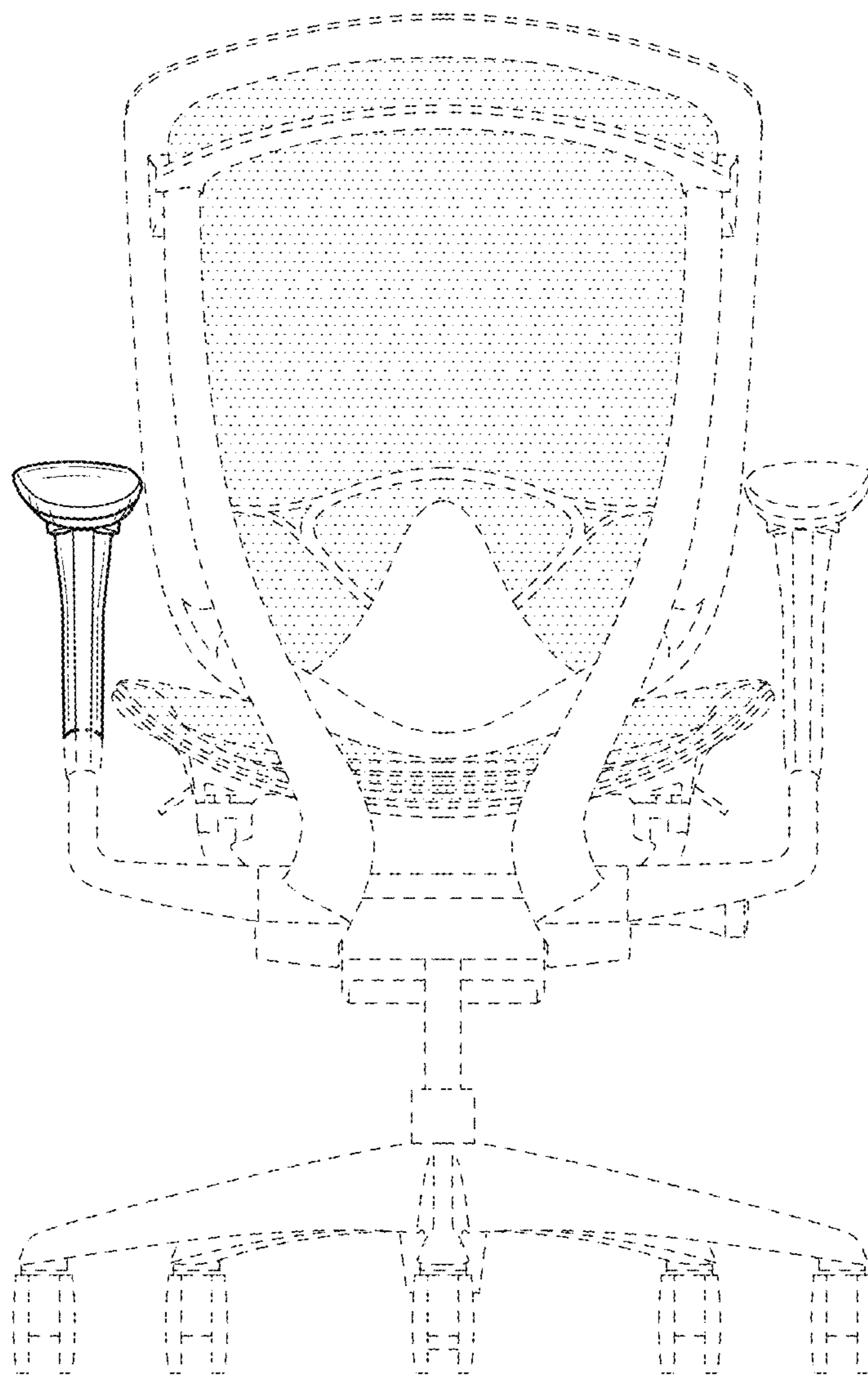


FIG. 5

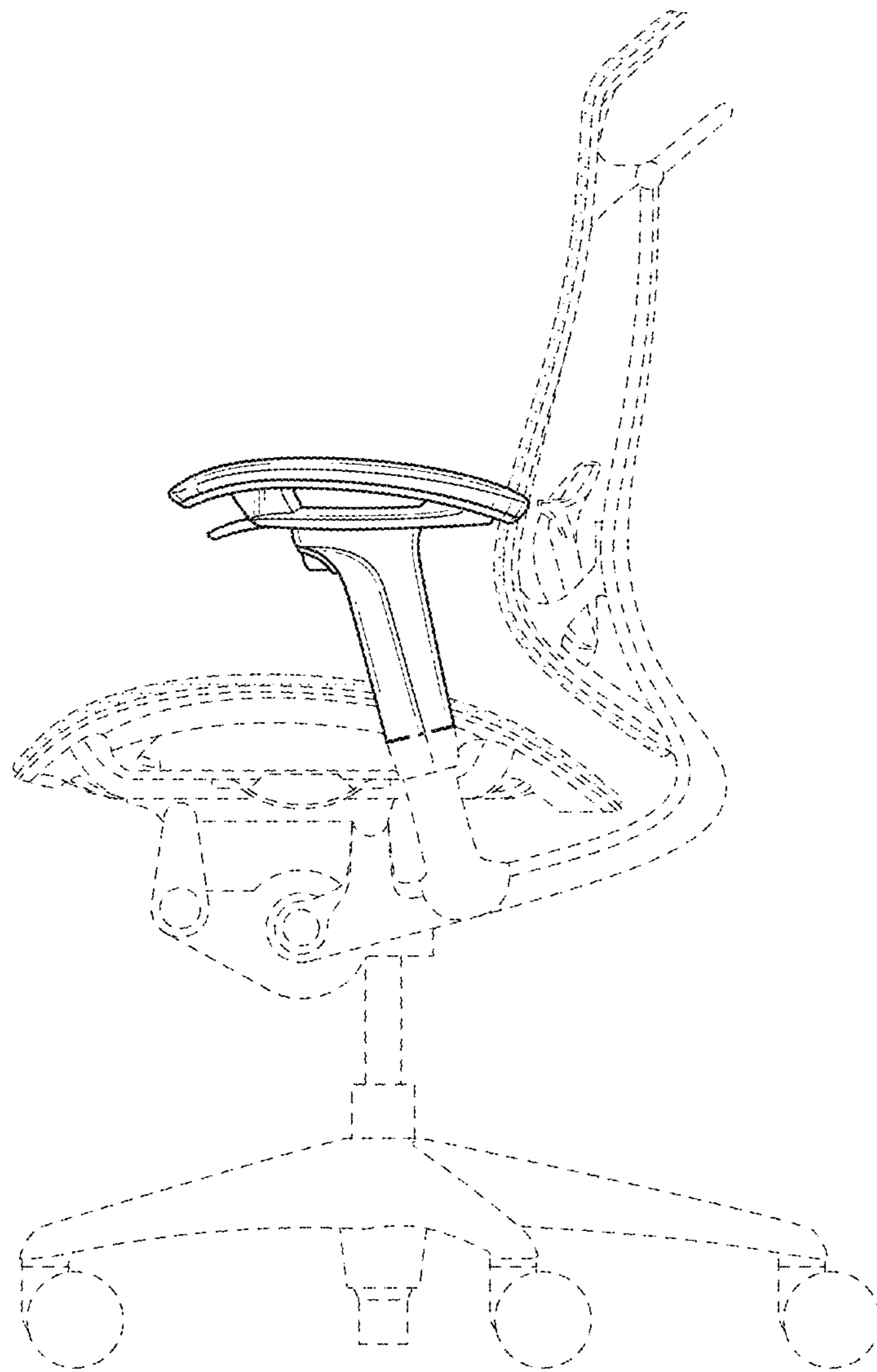


FIG. 6

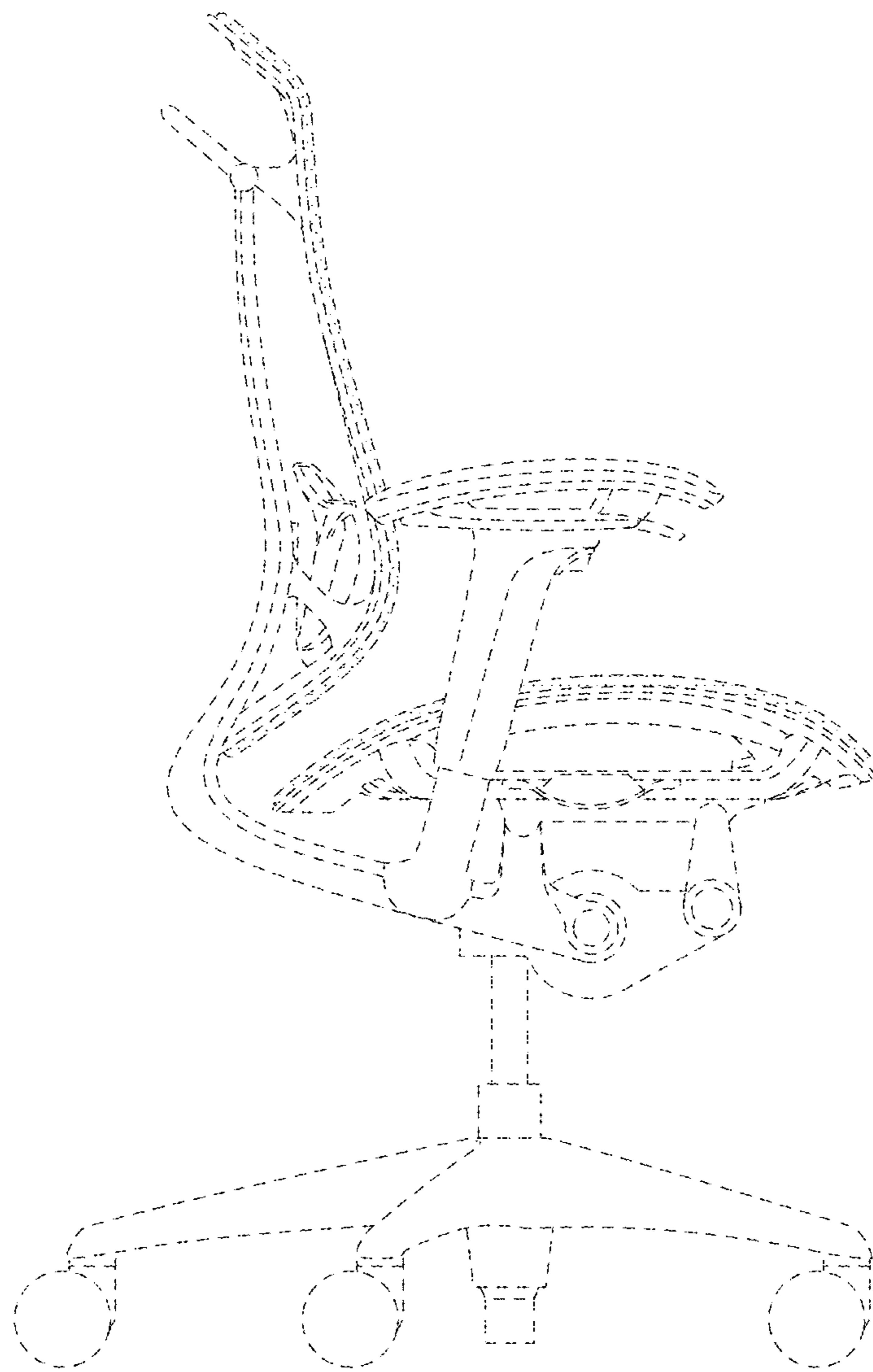


FIG. 7

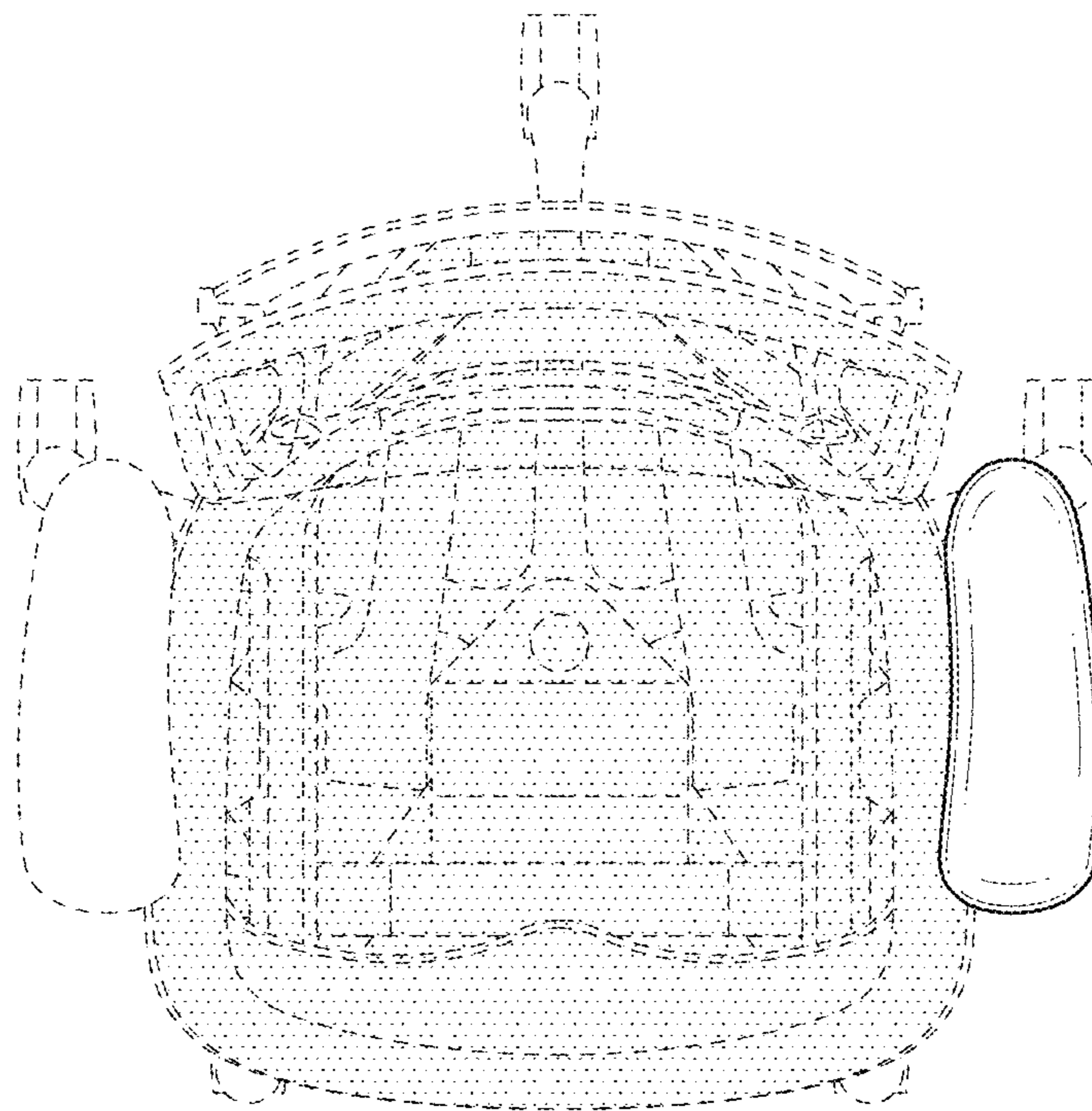




FIG. 8

